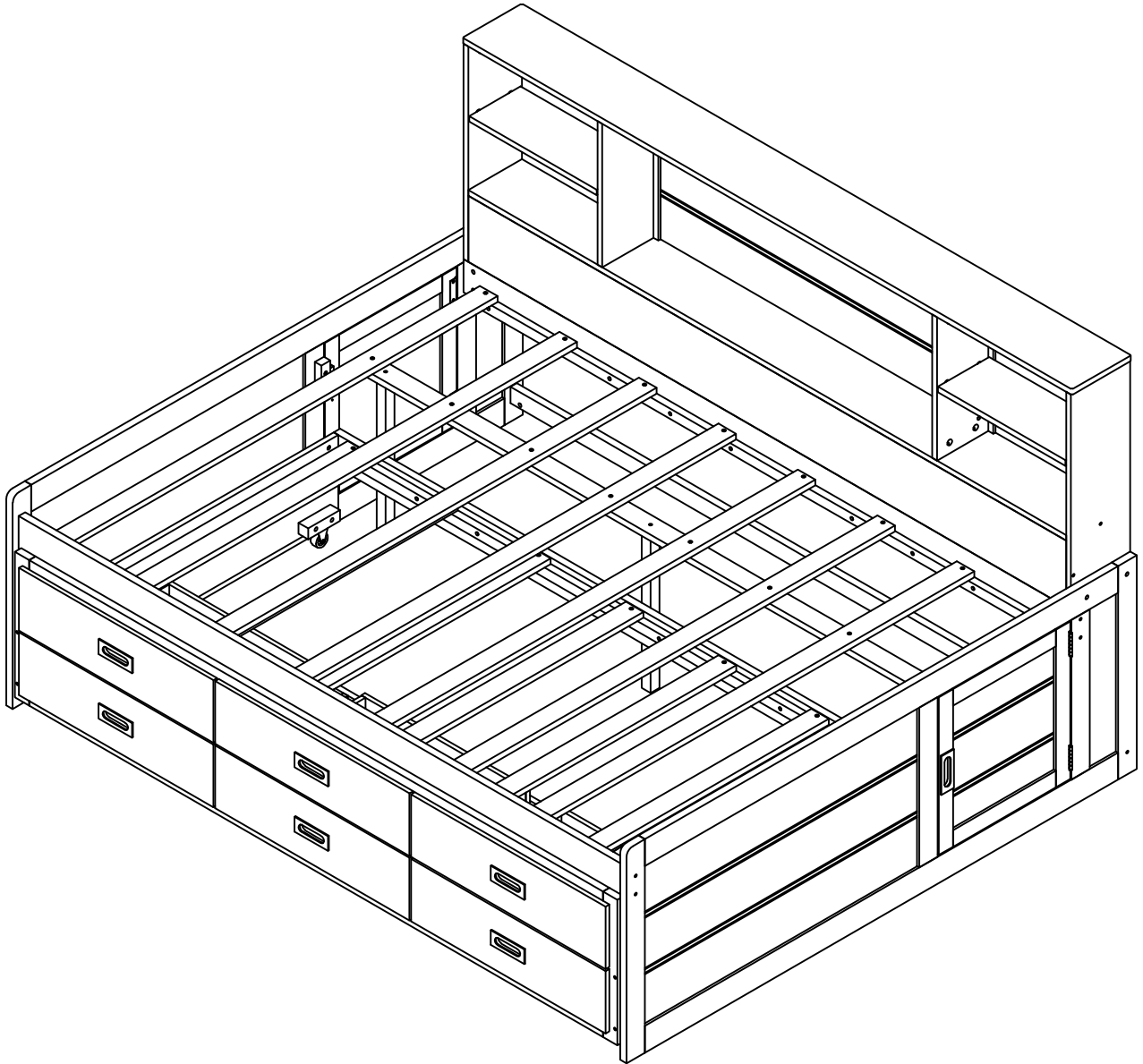


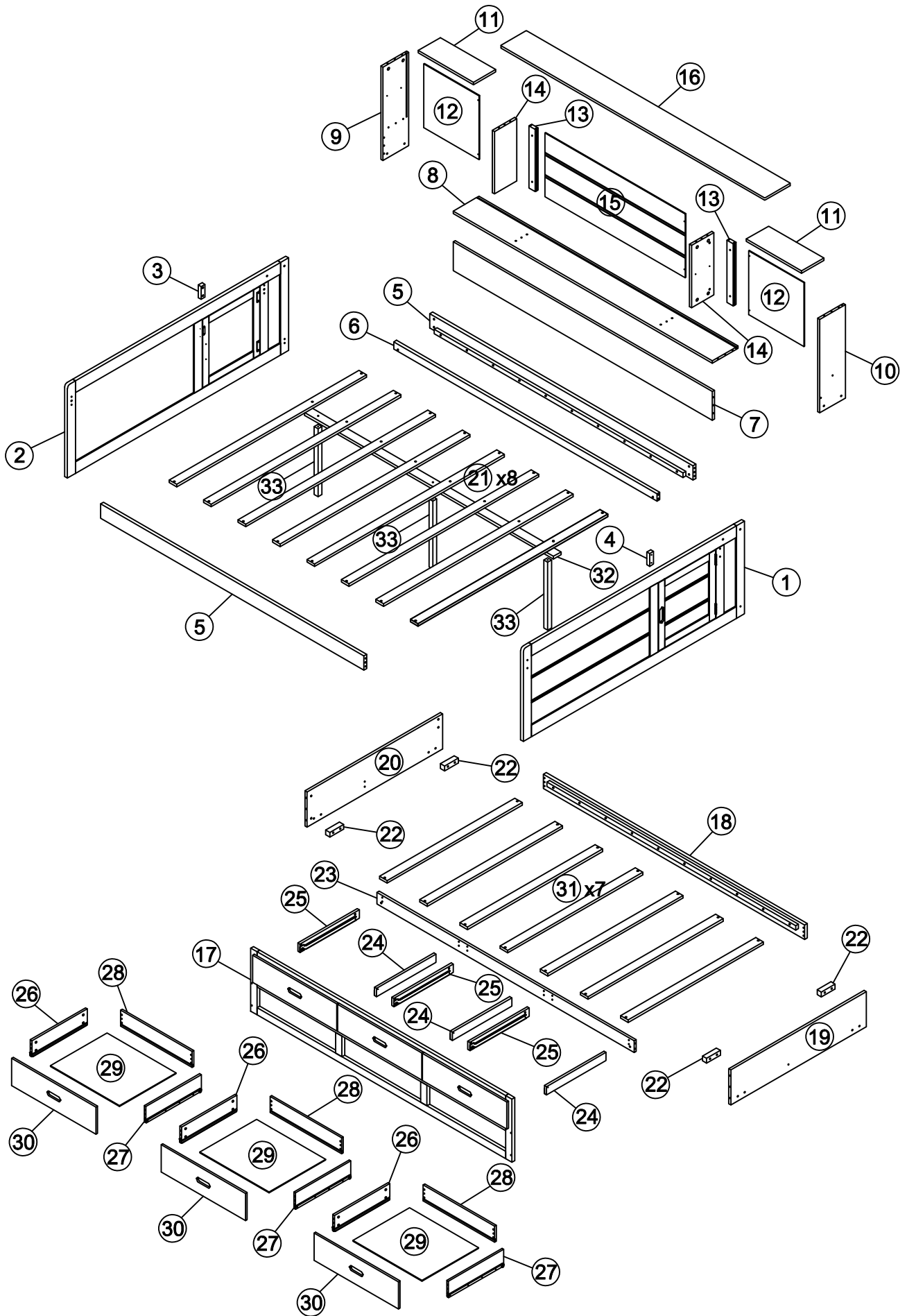
ASSEMBLY INSTRUCTIONS

FULL BED WITH DRAWERS




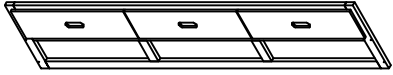


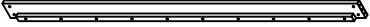
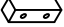
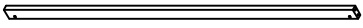

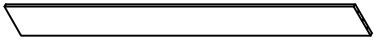


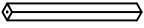

WF324313/WF324314

ASSEMBLY INSTRUCTIONS




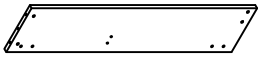
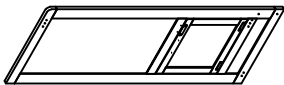



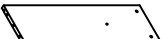

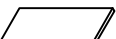

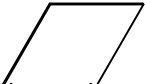


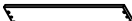
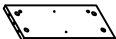

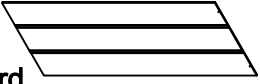

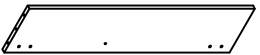

ASSEMBLY INSTRUCTIONS

WF324313

3	Frames support		1pc		17	Front trundle frames		1pc
4	Frames support		1pc		18	Side rails trundle		1pc
5	Side rails		2pcs		22	Trundle frames support		4pcs
6	Headboard panels		1pc		23	Back drawers frames		1pc
7	Front shelves		1pc		32	Center rails		1pc
8	Shelves panels		1pc		33	Center rails support legs		3pcs
16	Top shelves		1pc					








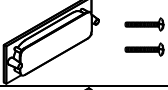

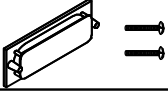

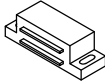










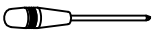
ASSEMBLY INSTRUCTIONS

WF324314 (Hardware in this SKU)

1	Bed frame		1pc	20	Left side trundle frames		1pc
2	Bed frame		1pc	21	Slats		8pcs
9	Side shelves		1pc	24	Side drawers support		3pcs
10	Side shelves		1pc	25	Side drawers support		3pcs
11	Shelves panels		2pcs	26	Side drawers		3pcs
12	Headboard		2pcs	27	Side drawers		3pcs
13	Headboard frames		2pcs	28	Back drawers		3pcs
14	Side shelves		2pcs	29	Bottom drawers		3pcs
15	Back headboard		1pc	30	Front drawers		3pcs
19	Right side trundle frames		1pc	31	Slats		7pcs

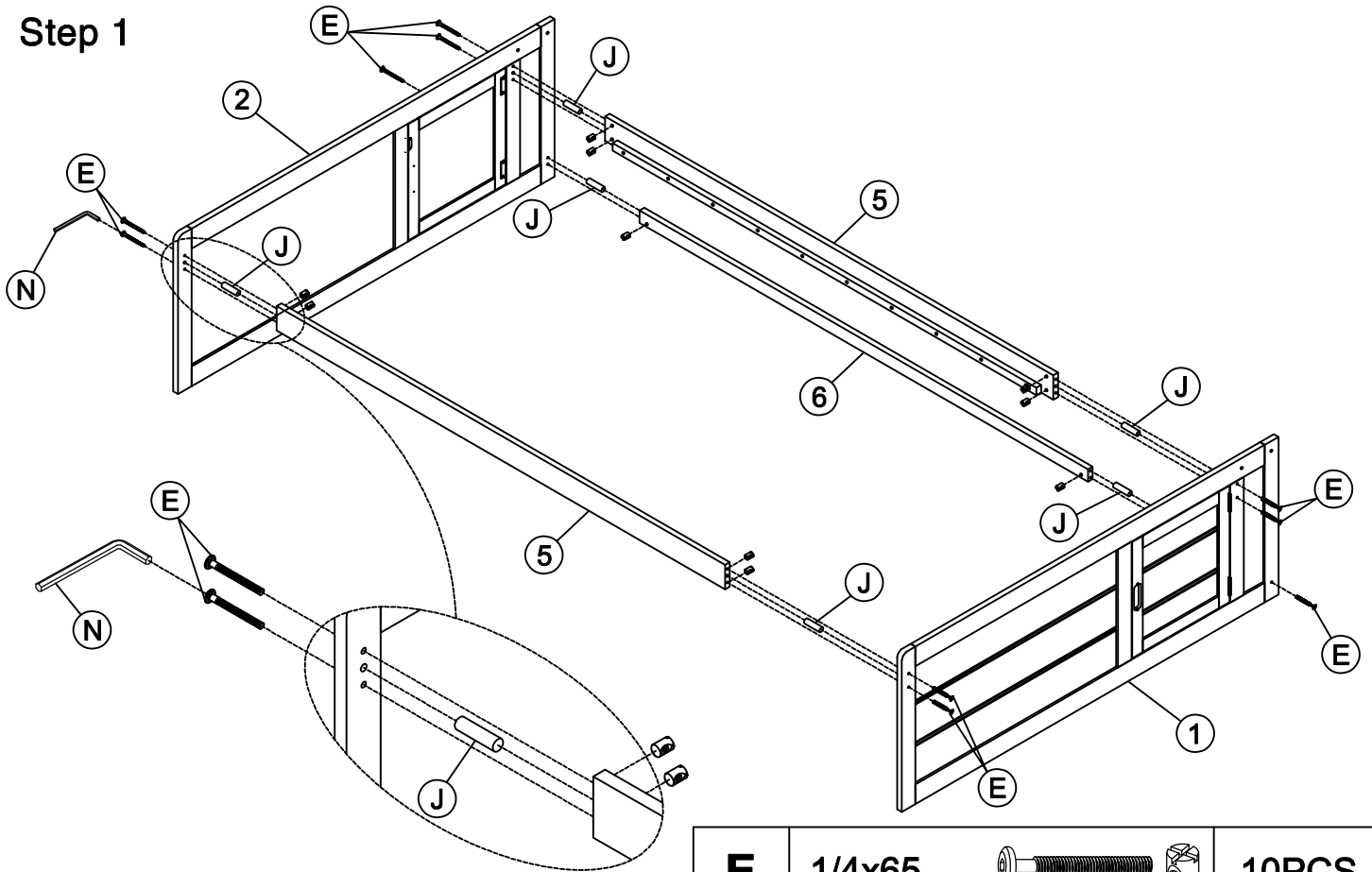
ASSEMBLY INSTRUCTIONS




WF324314 (Hardware in this SKU)

A	Ø4x30		42PCS	L	Ø 6.5x35		36PCS
B	Ø4x25		6PCS	M	Ø12x10		36PCS
C	Ø4x15		16PCS	N	4x58		1PC
D	Ø3.5x12		18PCS	O	105x39x12 M4x15		2PCS
E	1/4x65		18PCS	P	105x39x12 M4x10		6PCS
F	1/4x60		4PCS	Q	44x17x14		2PCS
G	1/4x55		12PCS	R	Ø38x46x38		4PCS
H	1/4x40		8PCS	S	29x13x17		8PCS
I	1/4x25		4PCS	T	15x15x2		3PCS
J	Ø10x30		6PCS	U	6.5x50		3PCS
K	Ø8x30		38PCS	V	1/4x25		3PCS
	Phillip head screw Not include						

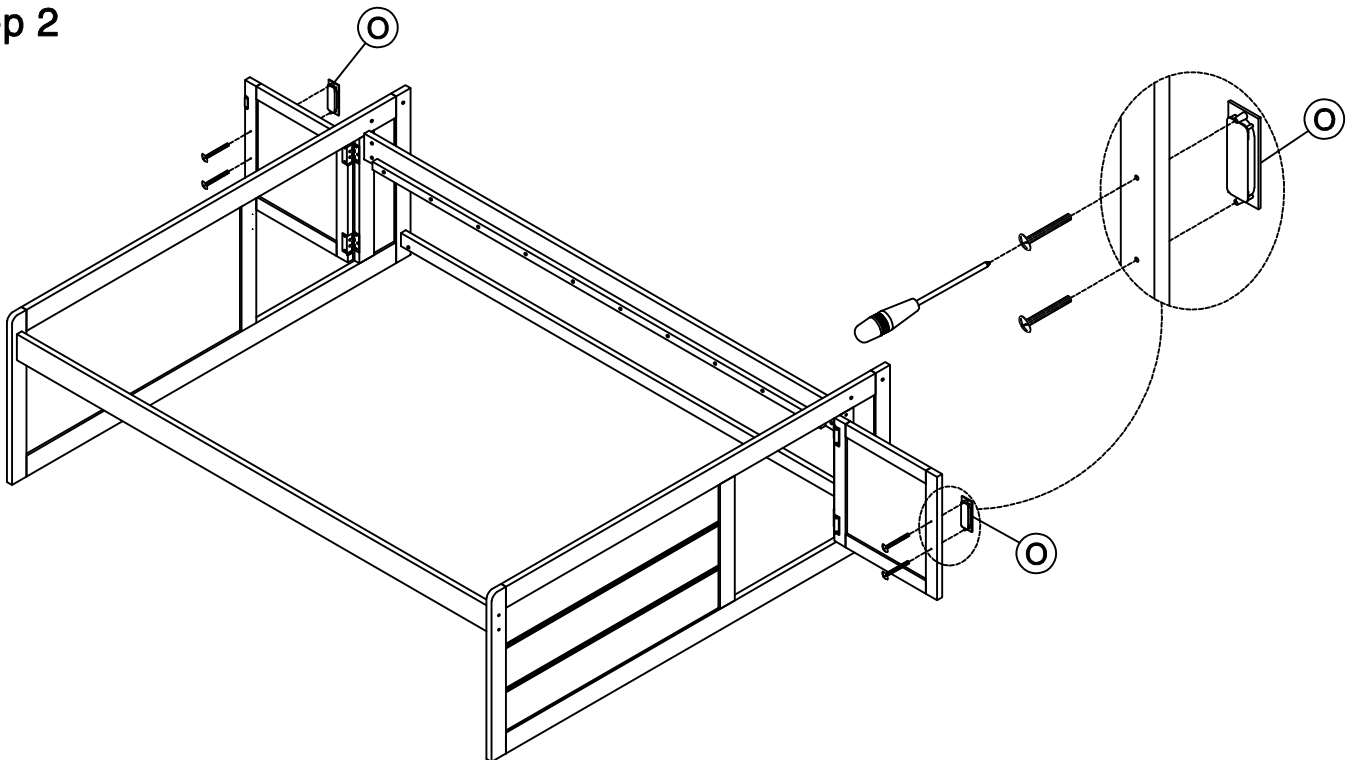
ASSEMBLY INSTRUCTIONS

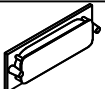
Step 1



E	1/4x65		10PCS
N	4x58		1PC
J	Ø10x30		6PCS

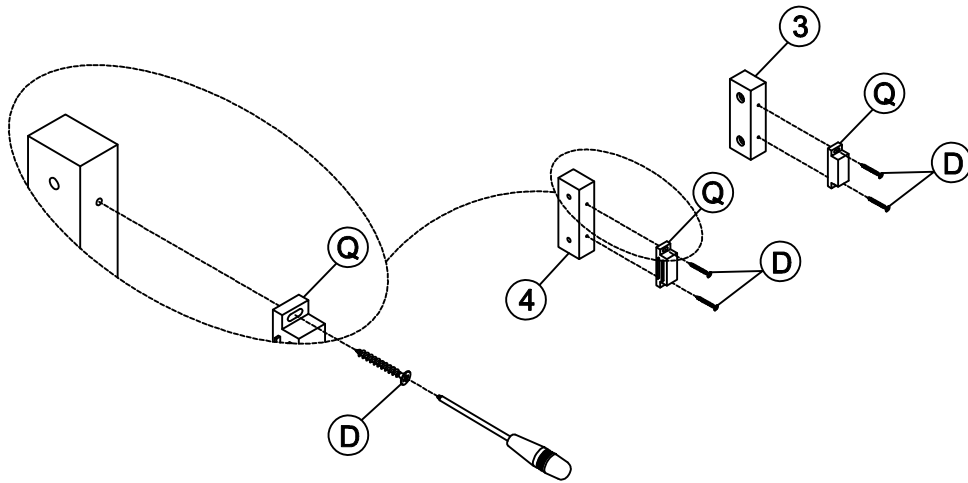
Step 2

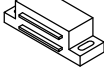



O	105x39x12 M4x15		2PCS
----------	--------------------	---	------

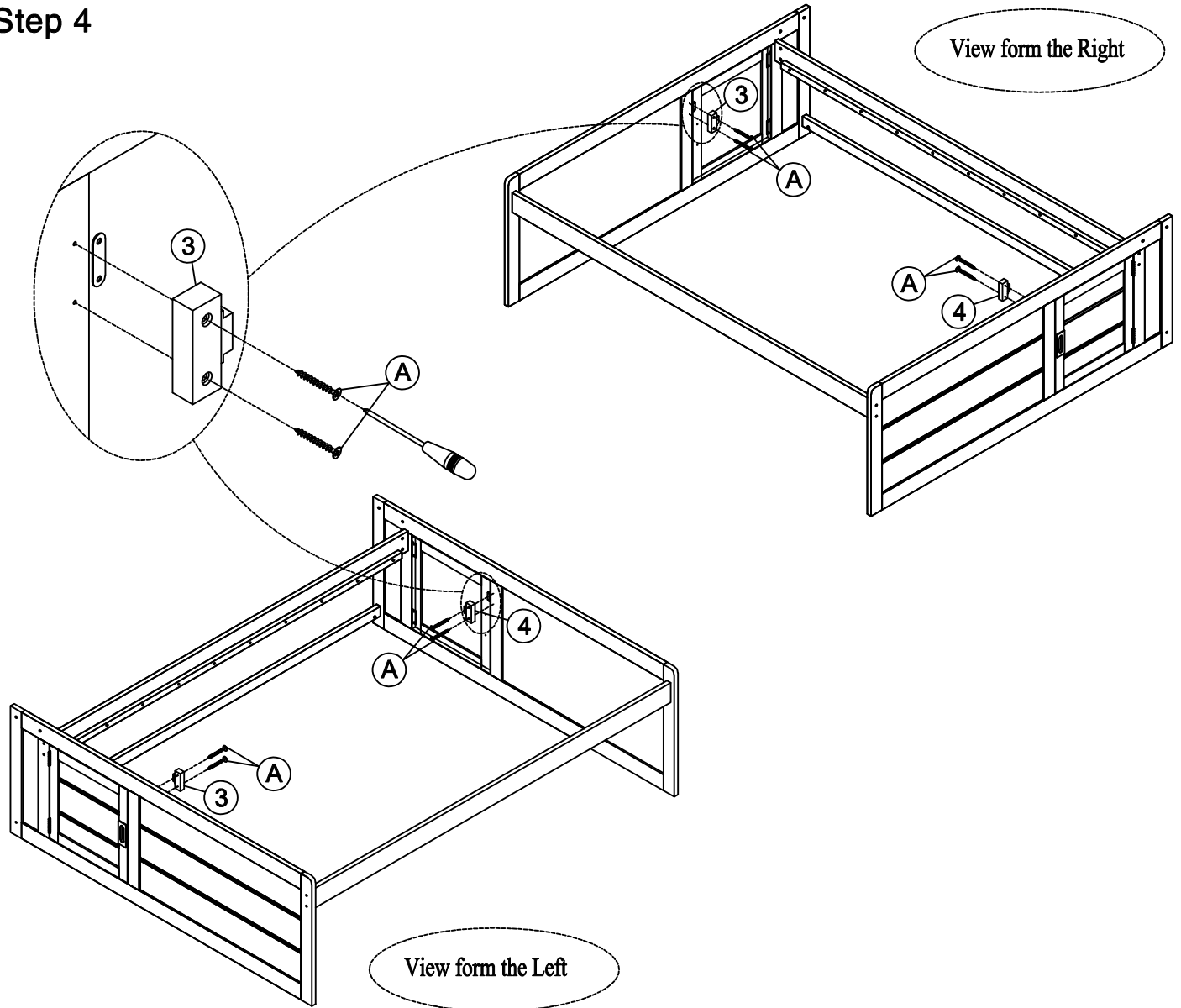
ASSEMBLY INSTRUCTIONS

Step 3



Q	44x17x14		2PCS	D	Ø3.5x12		4PCS
----------	----------	---	------	----------	---------	---	------

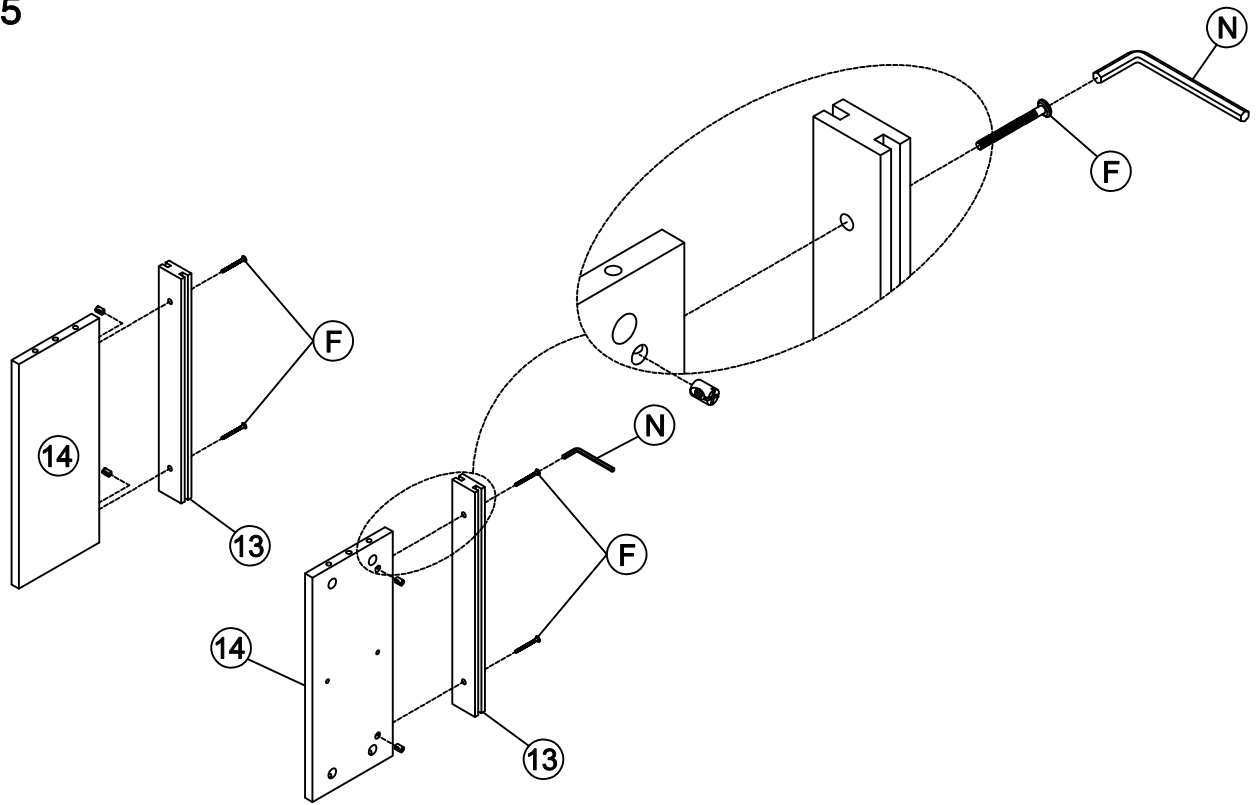
Step 4



A	Ø4x30		4PCS
----------	-------	---	------

ASSEMBLY INSTRUCTIONS

Step 5

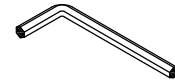


F 1/4x60



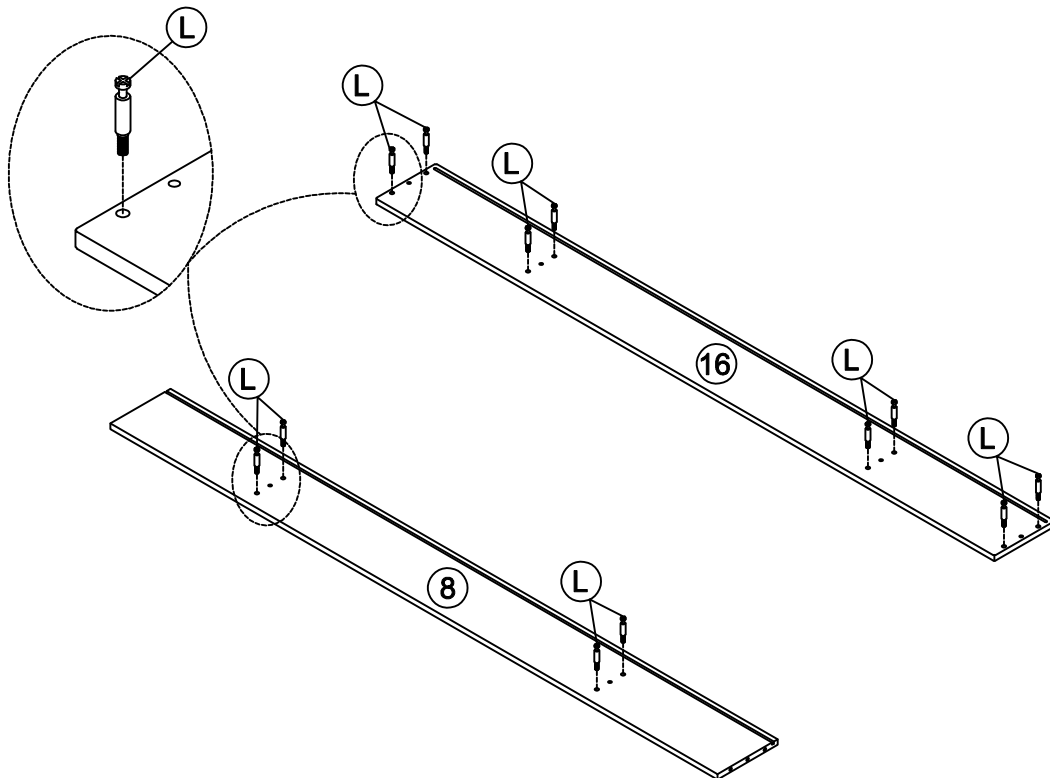
4PCS

N 4x58

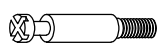


1PC

Step 6



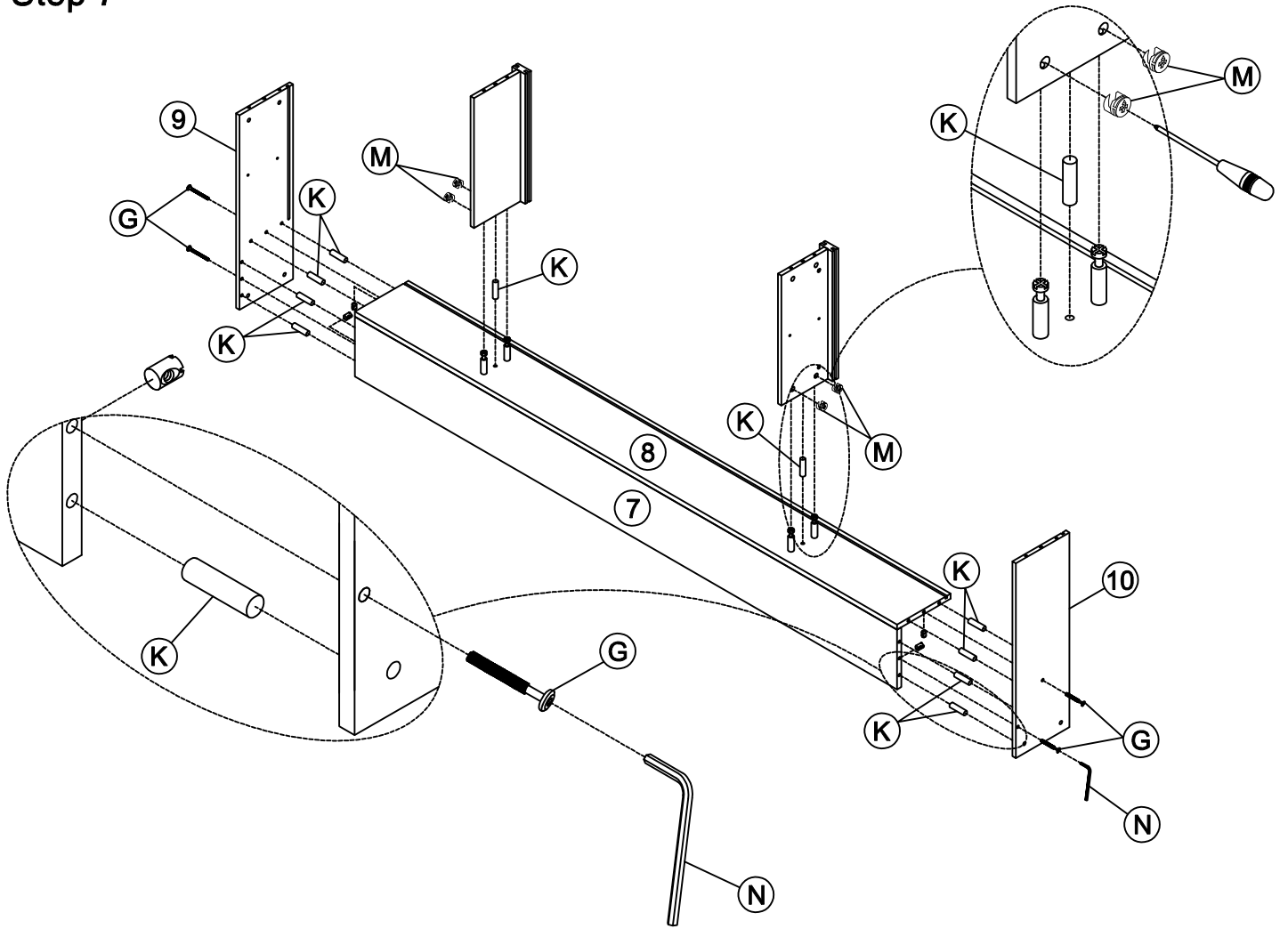
L Ø 6.5x35







12PCS

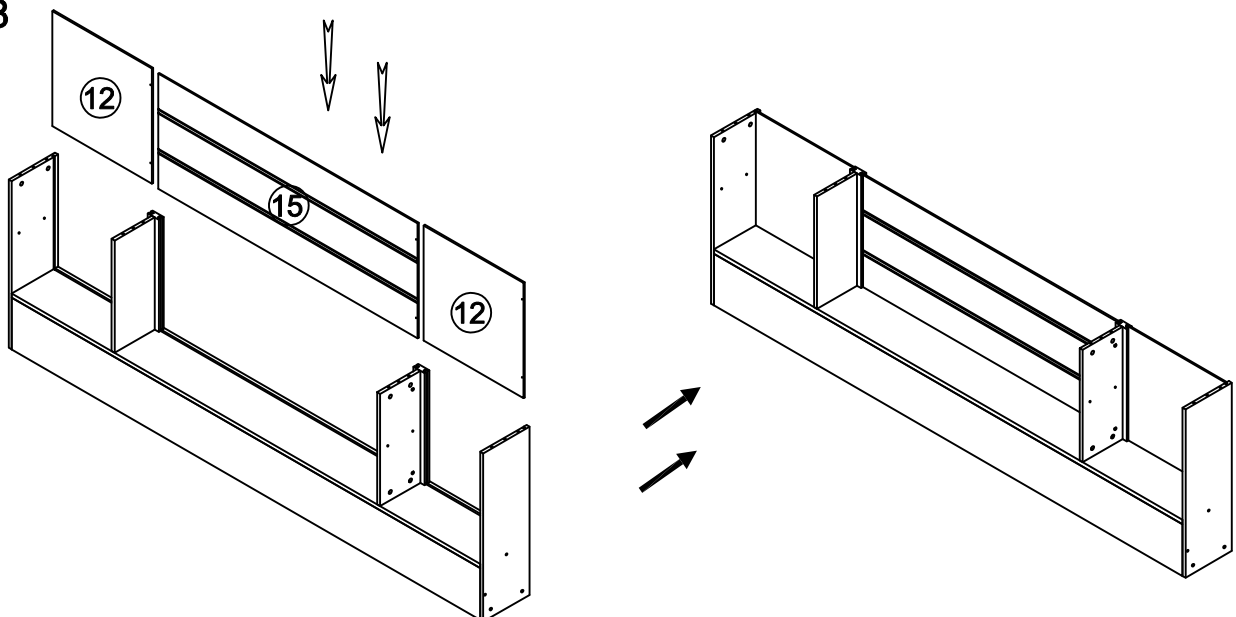
ASSEMBLY INSTRUCTIONS

Step 7



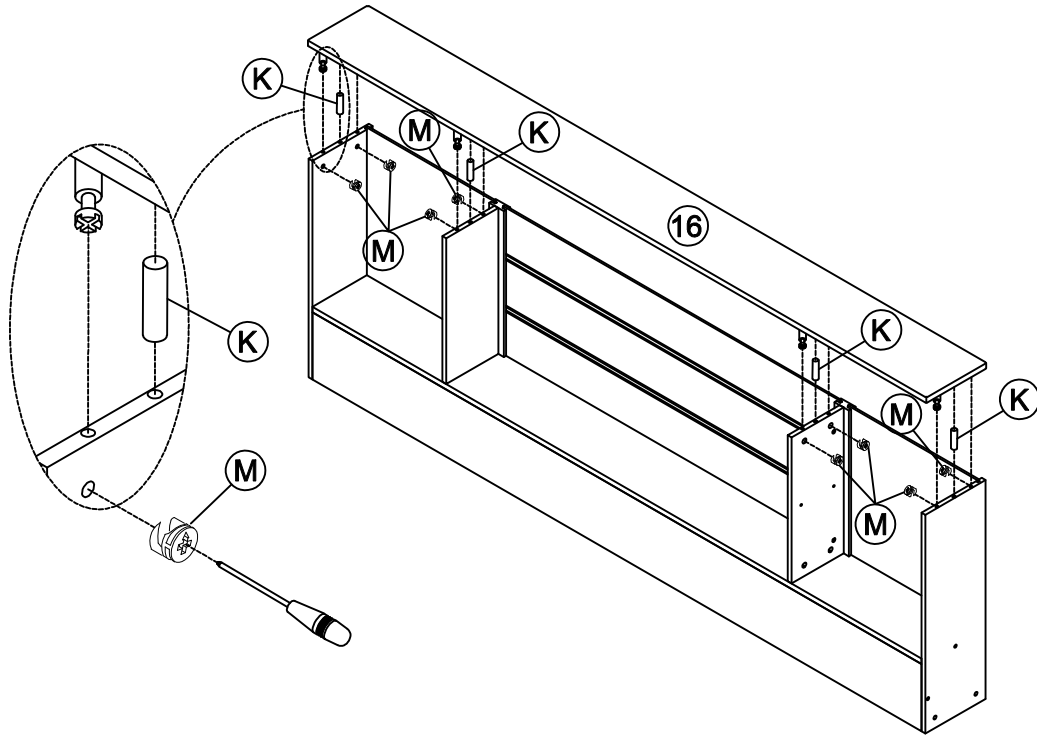
M	Ø12x10		4PCS	N	4x58		1PC
G	1/4x55		4PCS	K	Ø8x30		10PCS



Step 8



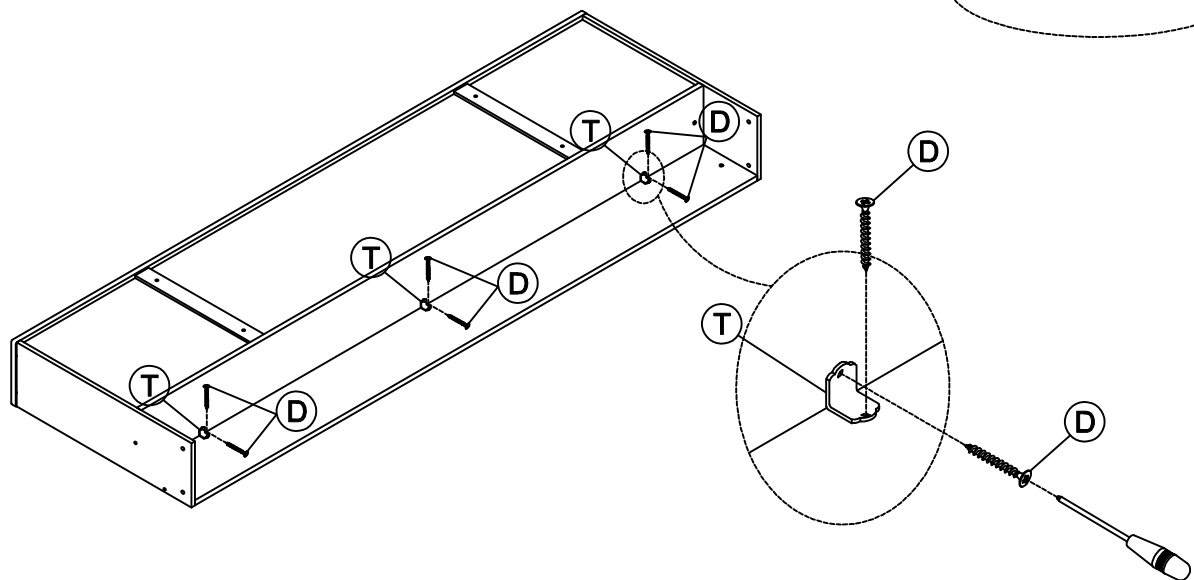
ASSEMBLY INSTRUCTIONS

Step 9





K	Ø8x30		4PCS	M	Ø12x10		8PCS
----------	-------	---	------	----------	--------	---	------

Step 10

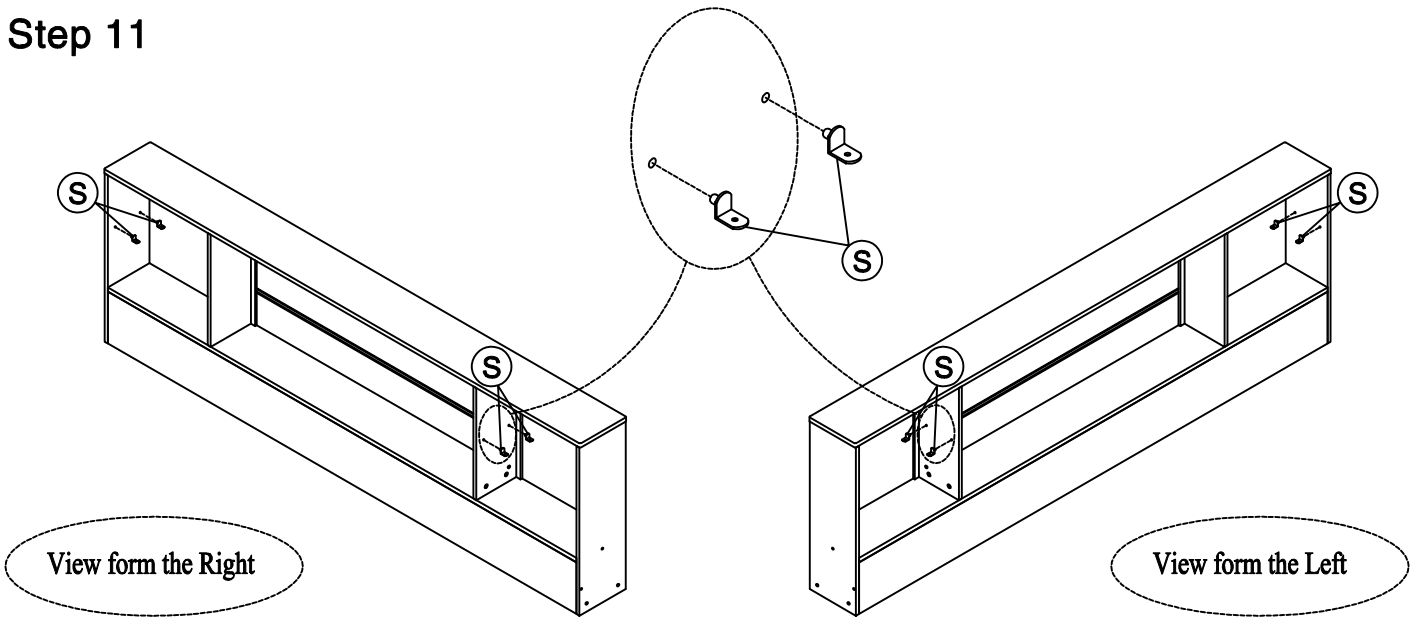


View form the Back

T	15x15x2		3PCS	D	Ø3.5x12		6PCS
----------	---------	---	------	----------	---------	---	------

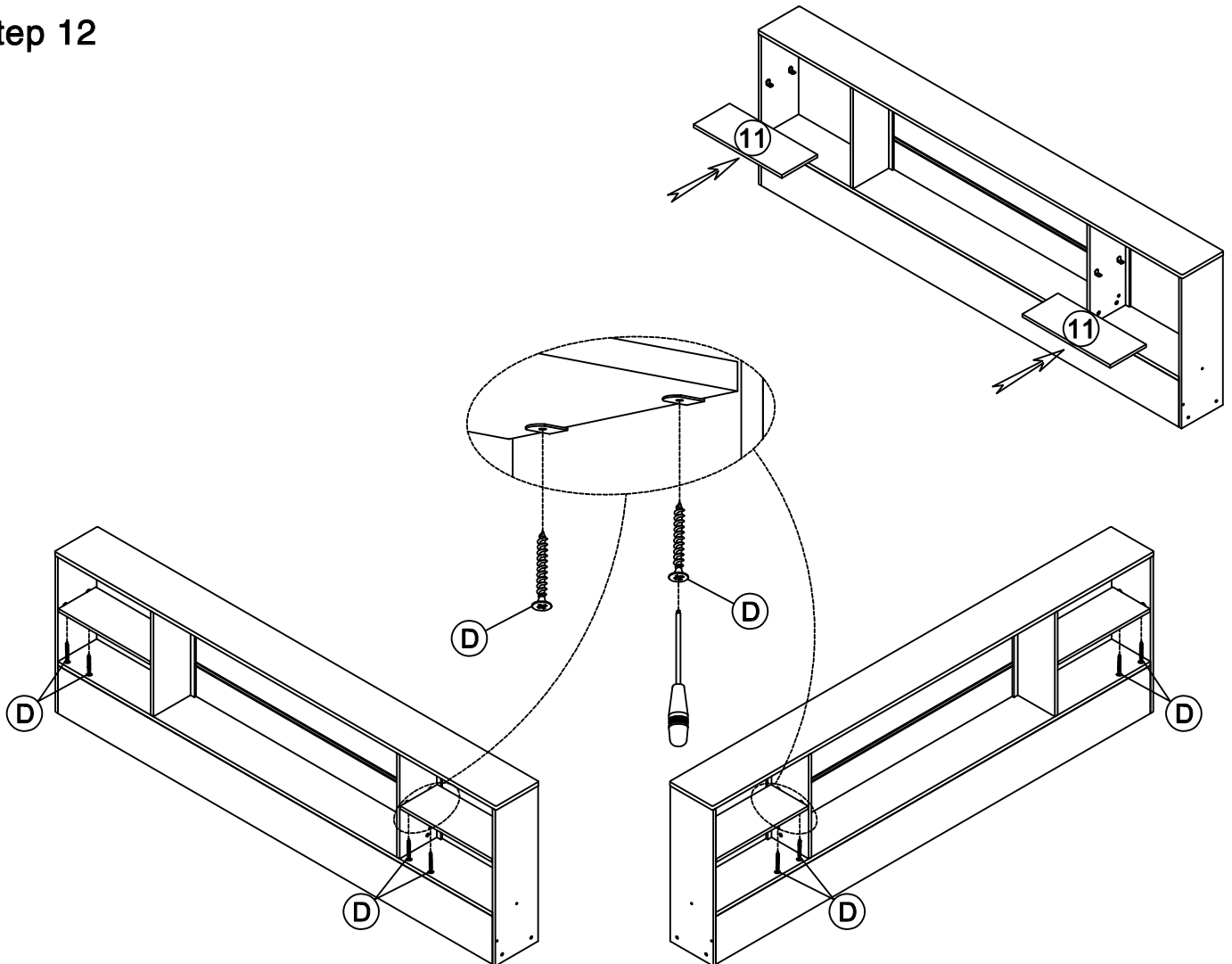
ASSEMBLY INSTRUCTIONS


Step 11



S	29x13x17		8PCS
----------	----------	---	------

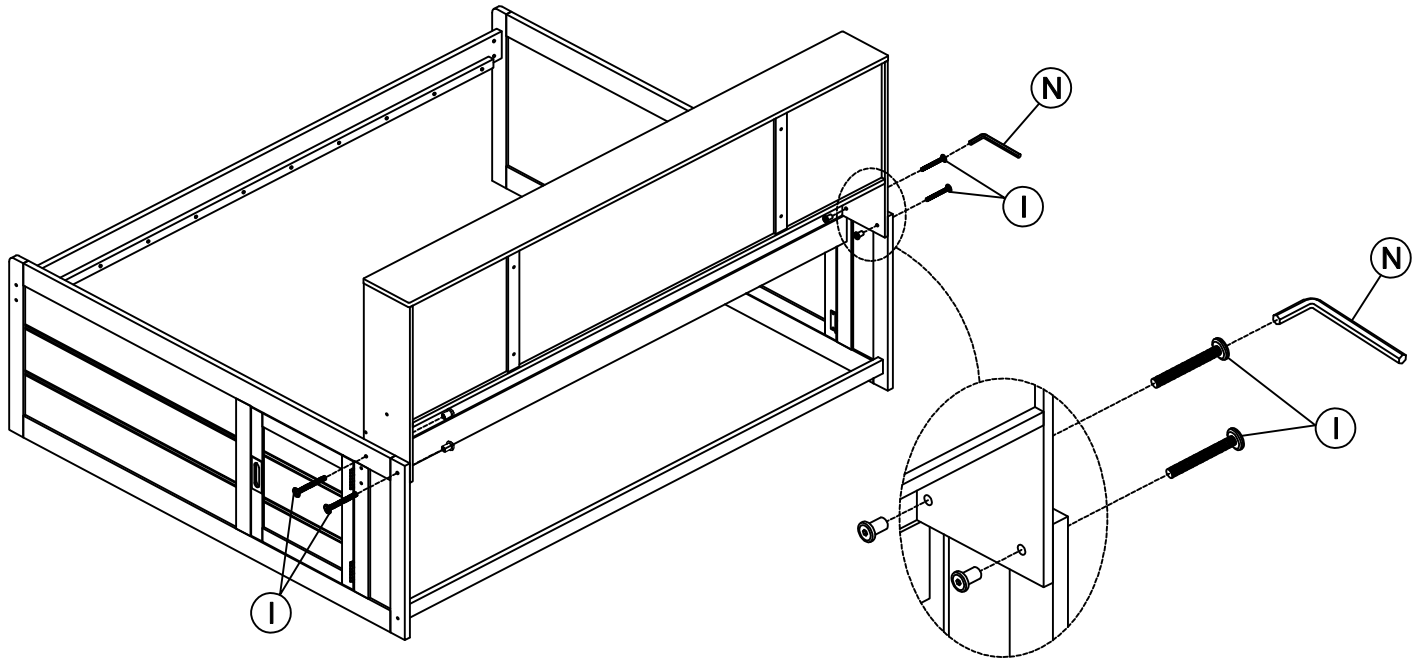
Step 12





D	Ø3.5x12		8PCS
----------	---------	---	------

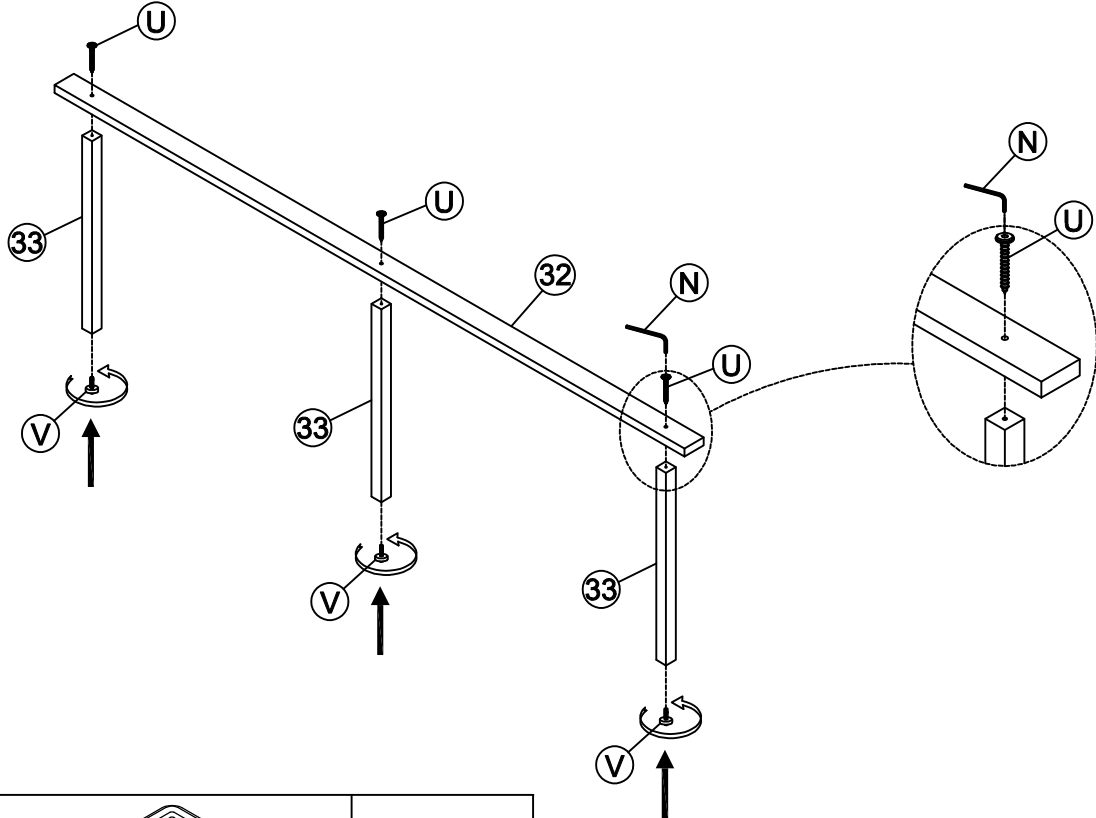
ASSEMBLY INSTRUCTIONS




Step 13



I	1/4x25		4PCS	N	4x58		1PC
----------	--------	--	------	----------	------	--	-----

Step 14

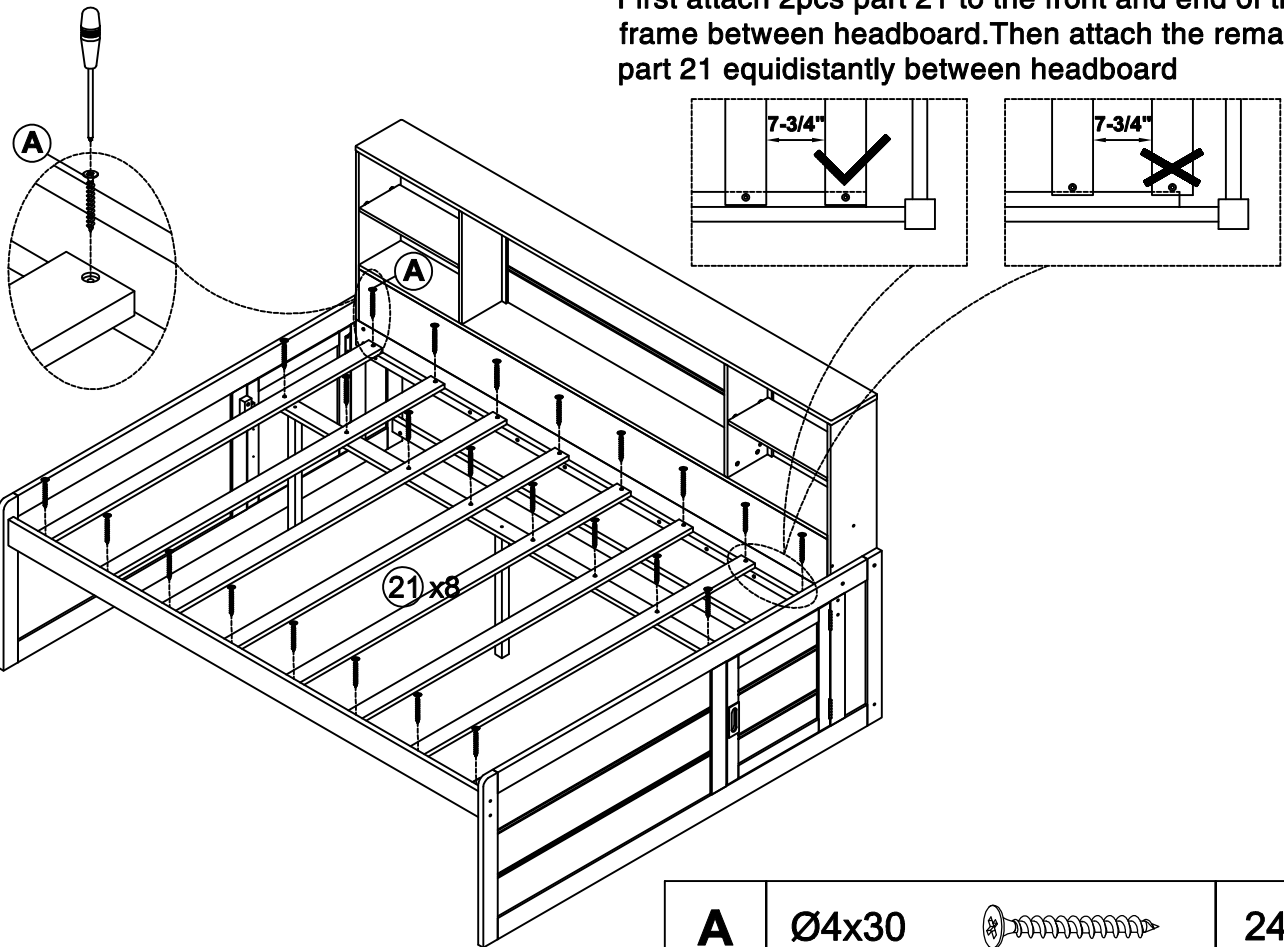



N	4x58		1PC	U	6.5x50		3PCS	V	1/4x25		3PCS
----------	------	---	-----	----------	--------	---	------	----------	--------	---	------

ASSEMBLY INSTRUCTIONS

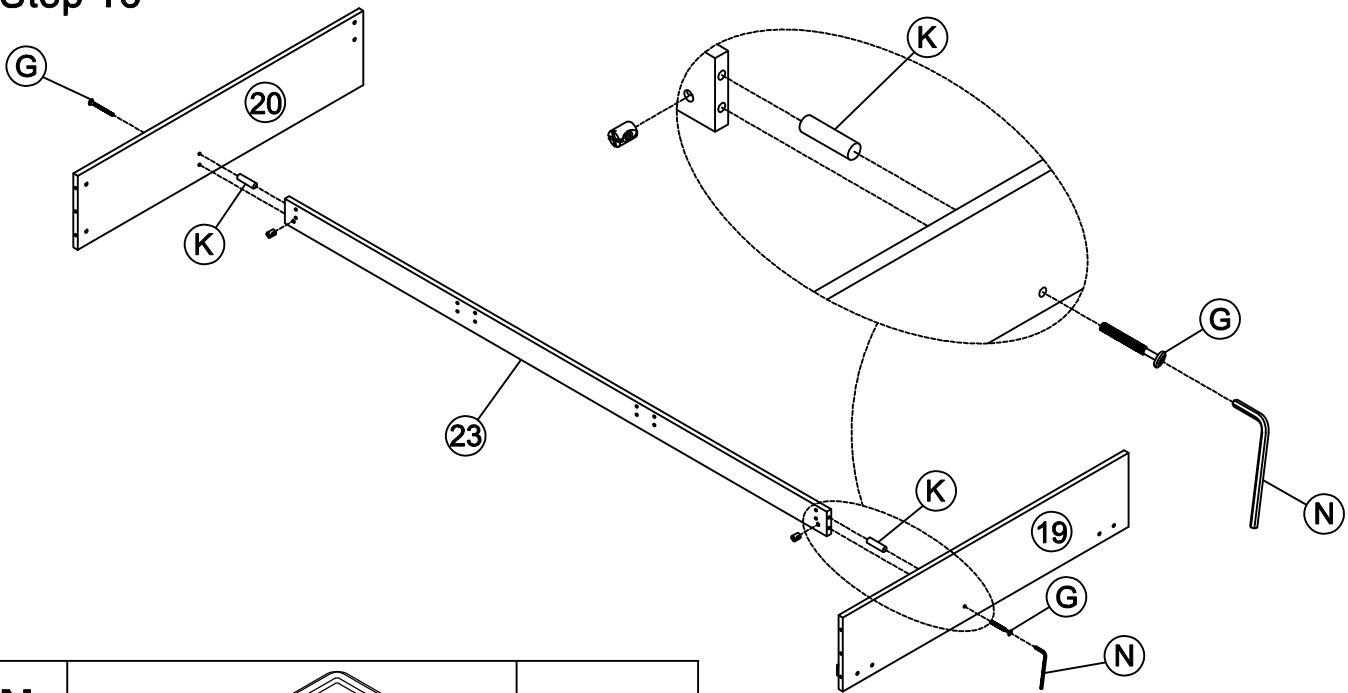
Step 15




First attach 2 pcs part 21 to the front and end of the frame between headboard. Then attach the remaining part 21 equidistantly between headboard



A	Ø4x30		24PCS
----------	-------	---	--------------

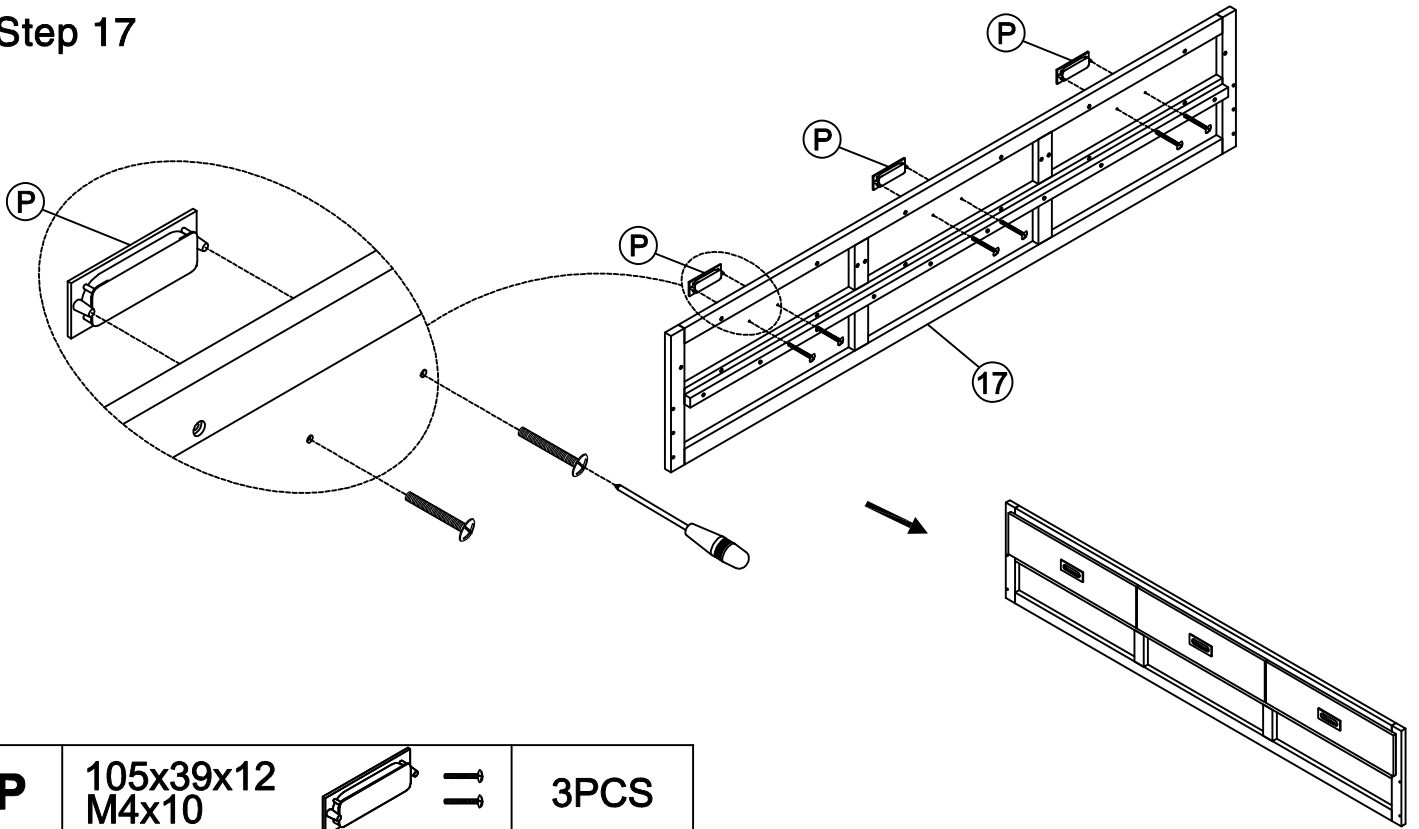
Step 16



N	4x58		1PC				
G	1/4x55		2PCS	K	Ø8x30		2PCS

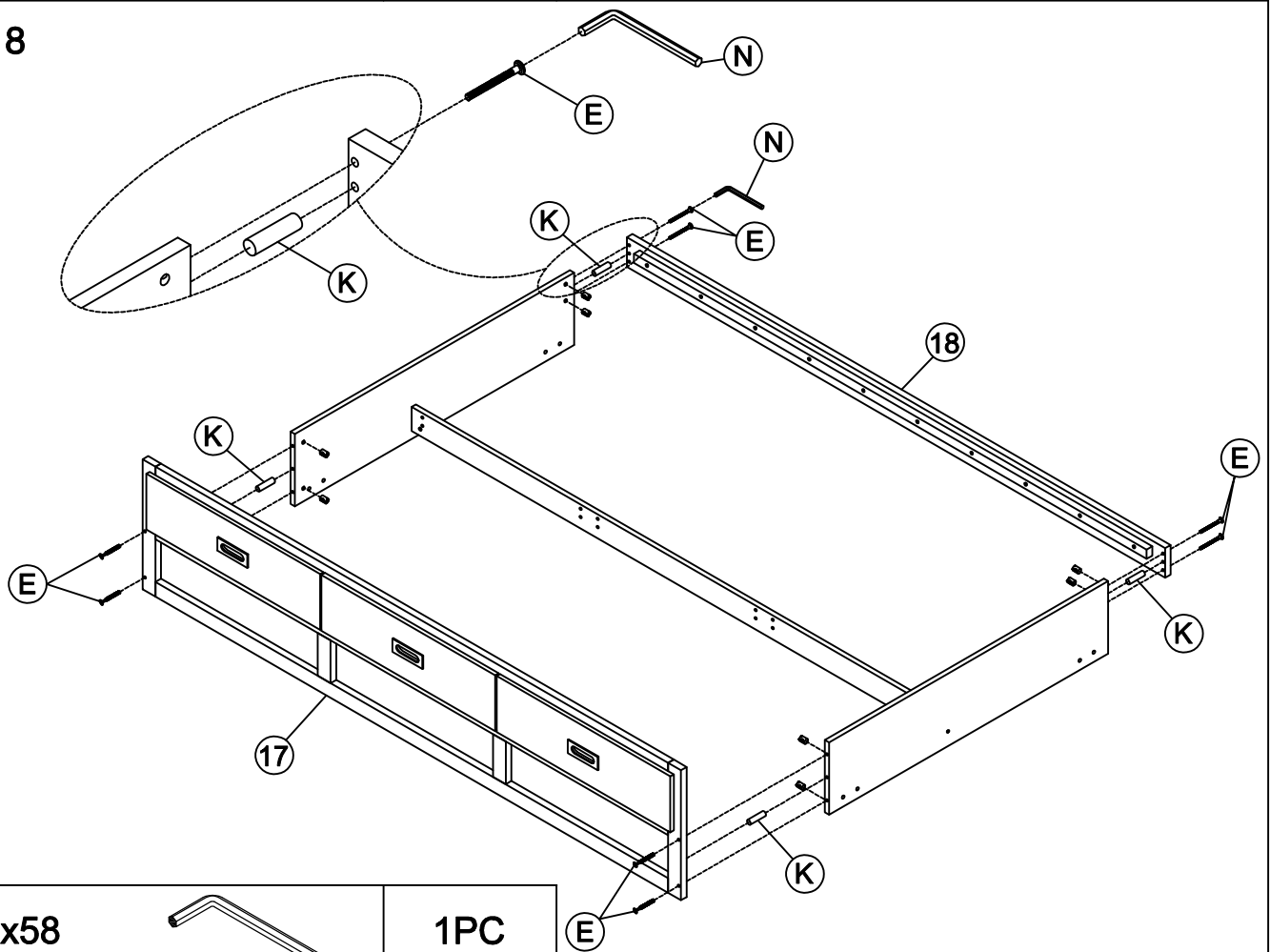
ASSEMBLY INSTRUCTIONS


Step 17





P	105x39x12 M4x10		⇌	3PCS
----------	--------------------	---	---	------

Step 18

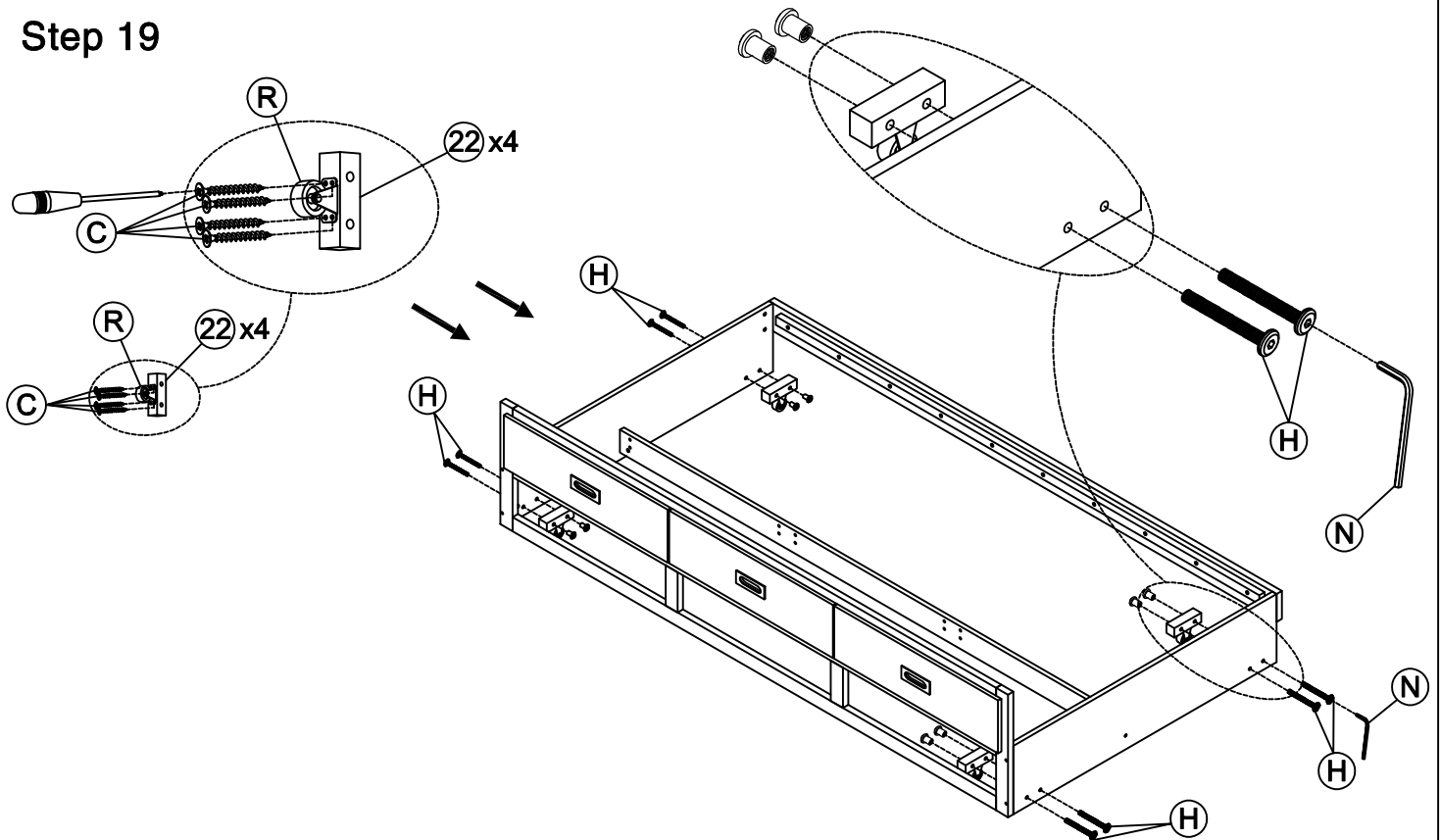






N	4x58		1PC
----------	------	---	-----

E	1/4x65		8PCS	K	Ø8x30		4PCS
----------	--------	---	------	----------	-------	---	------

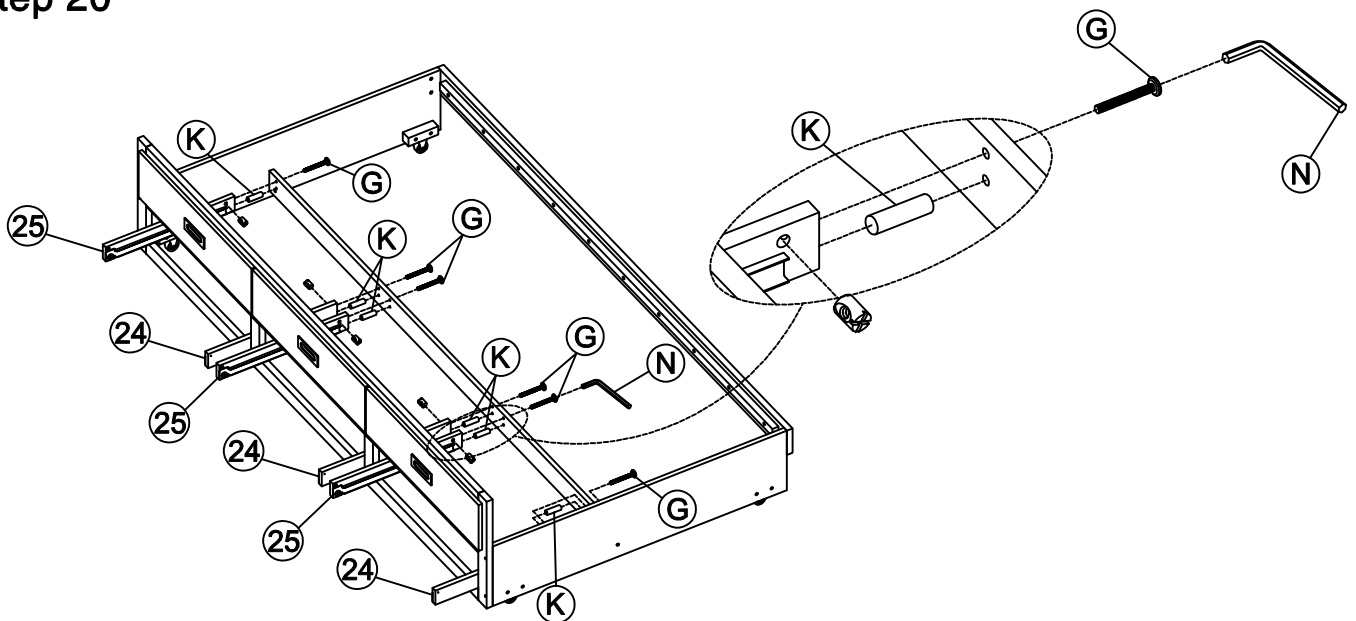
ASSEMBLY INSTRUCTIONS

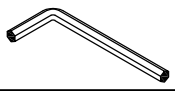


Step 19



R	Ø38x46x38		4PCS	C	Ø4x15		16PCS
H	1/4x40		8PCS	N	4x58		1PC

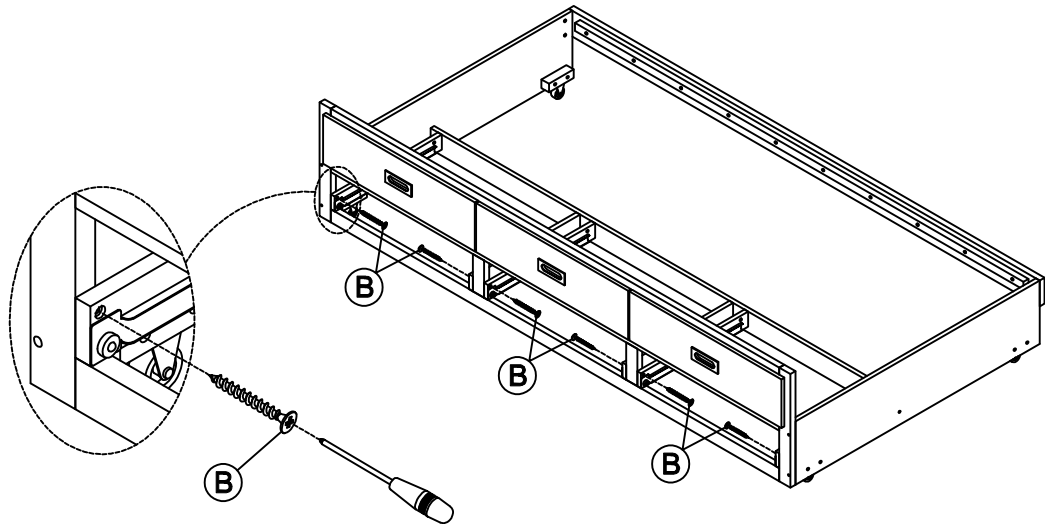
Step 20



N	4x58		1PC	G	1/4x55		6PCS
K	Ø8x30		6PCS				

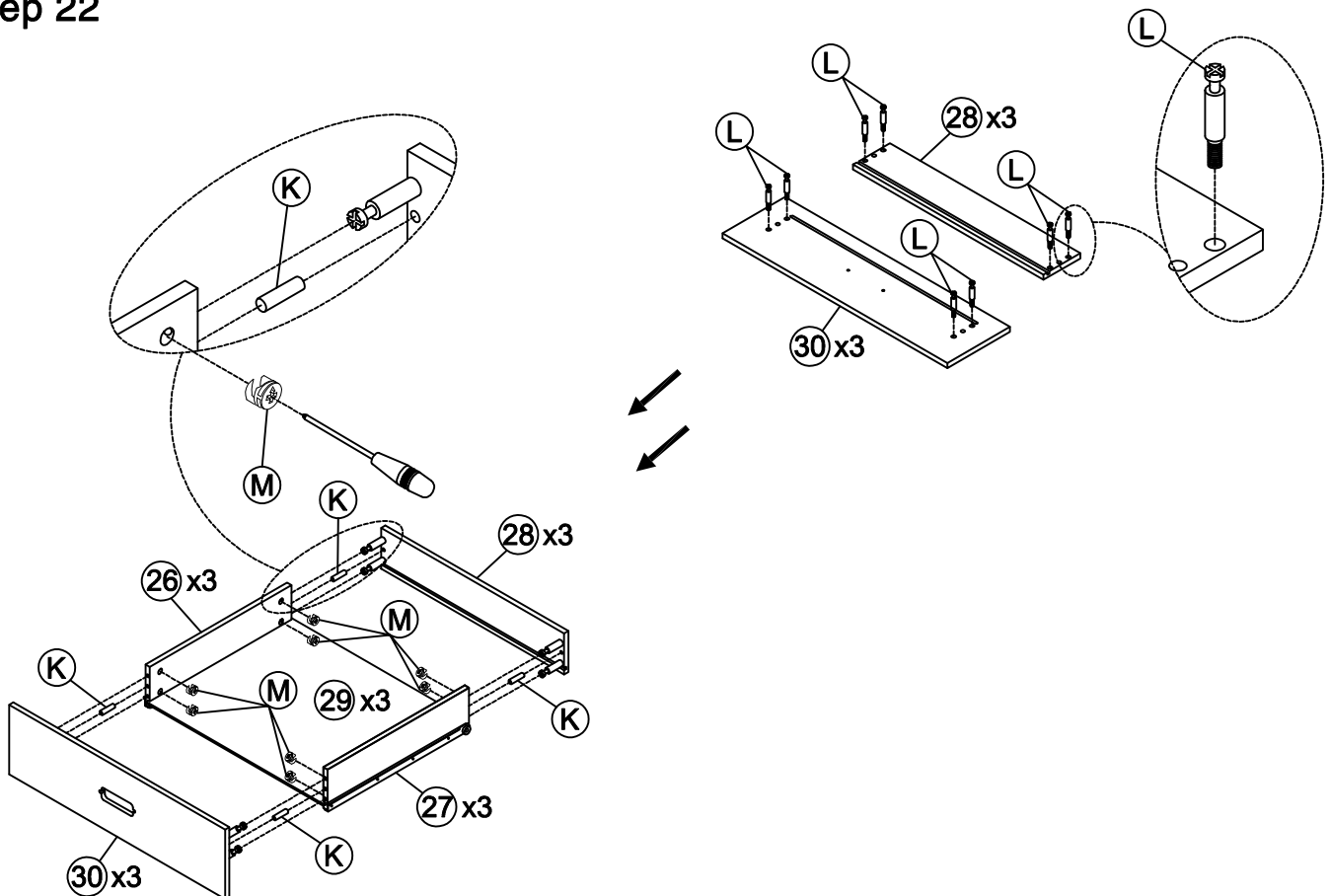
ASSEMBLY INSTRUCTIONS

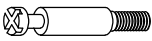


Step 21



B	Ø4x25		6PCS
----------	-------	---	------

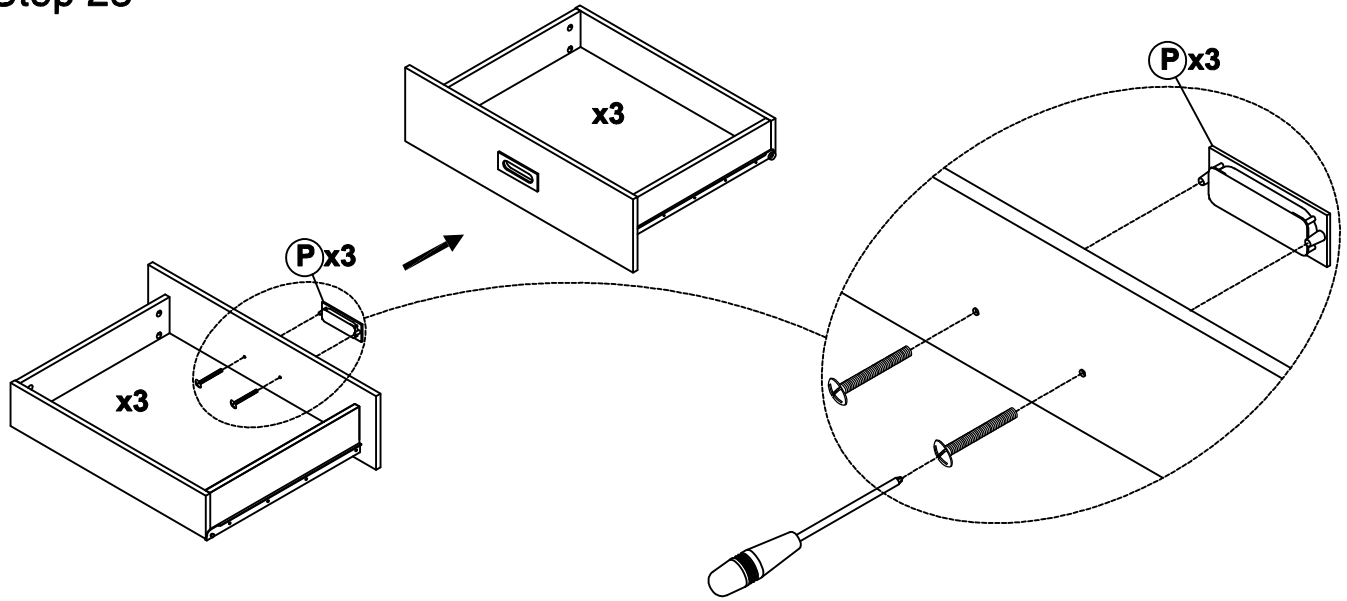
Step 22



L	Ø 6.5x35		24PCS	M	Ø12x10		24PCS
				K	Ø8x30		12PCS

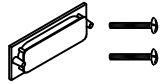
ASSEMBLY INSTRUCTIONS

Step 23



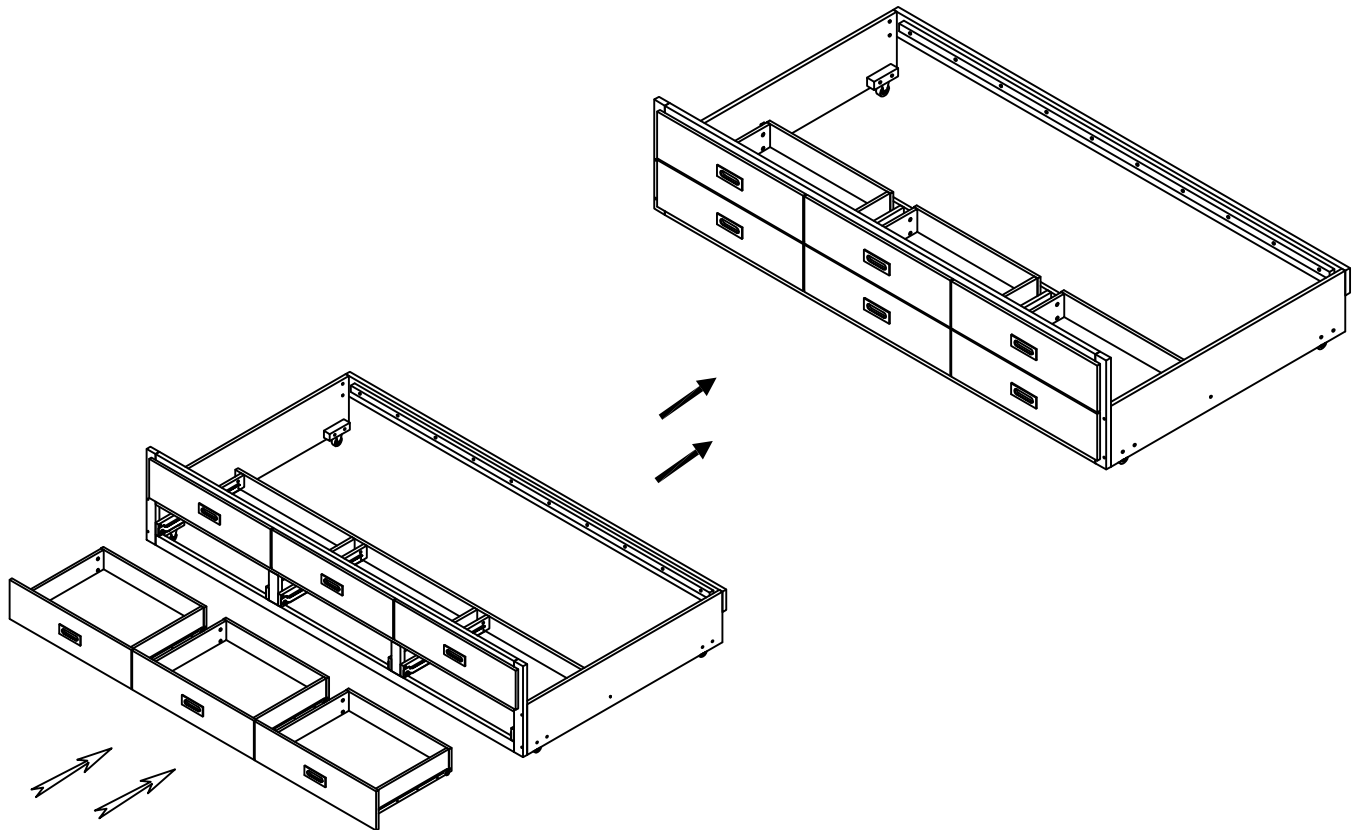
P

105x39x12
M4x10



3PCS

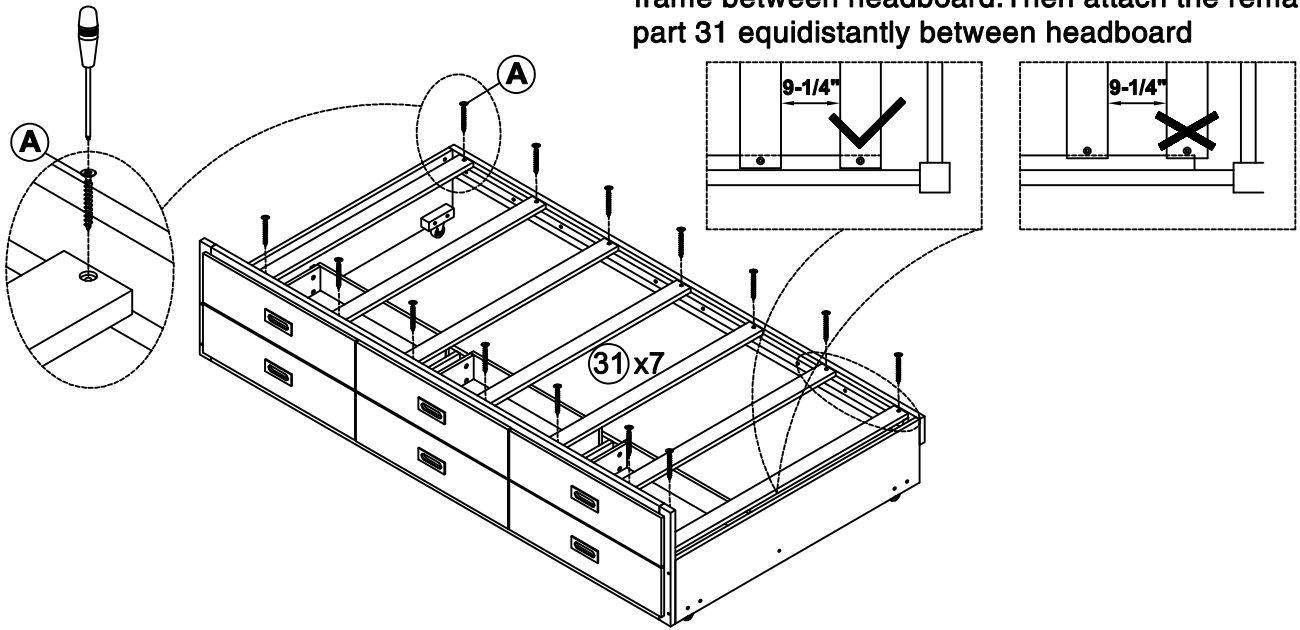
Step 24



ASSEMBLY INSTRUCTIONS

Step 25

First attach 2 pcs part 31 to the front and end of the frame between headboard. Then attach the remaining part 31 equidistantly between headboard



A Ø4x30



14PCS

Step 26

