

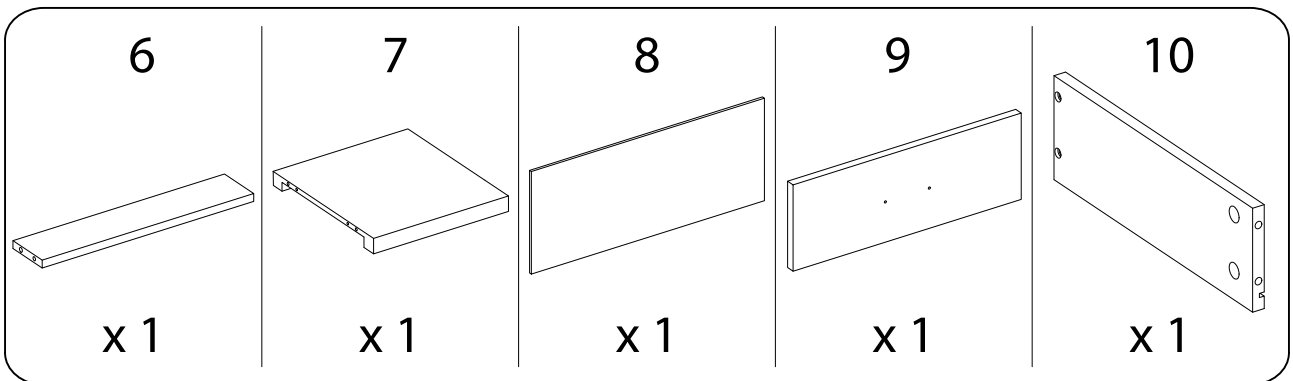
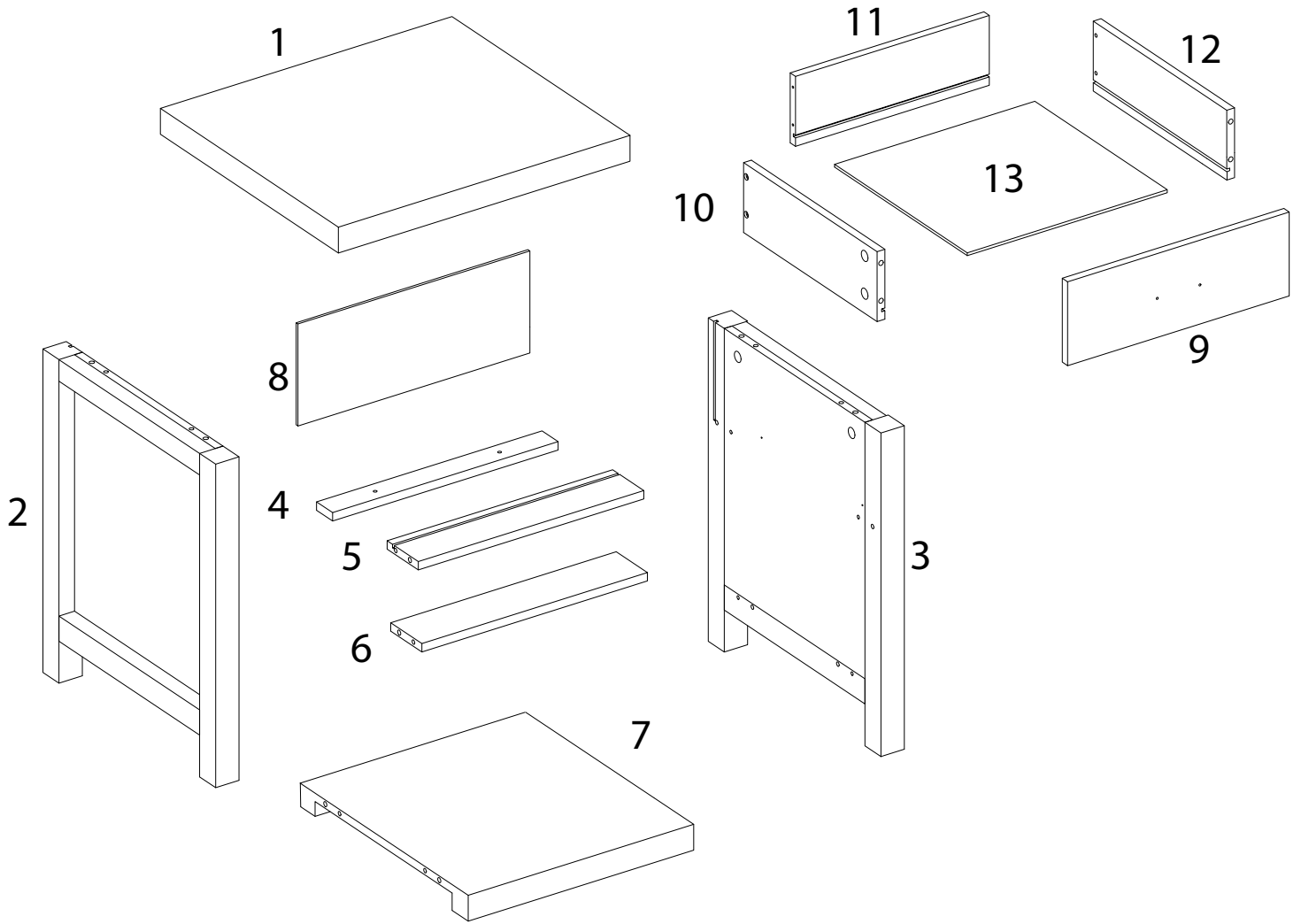
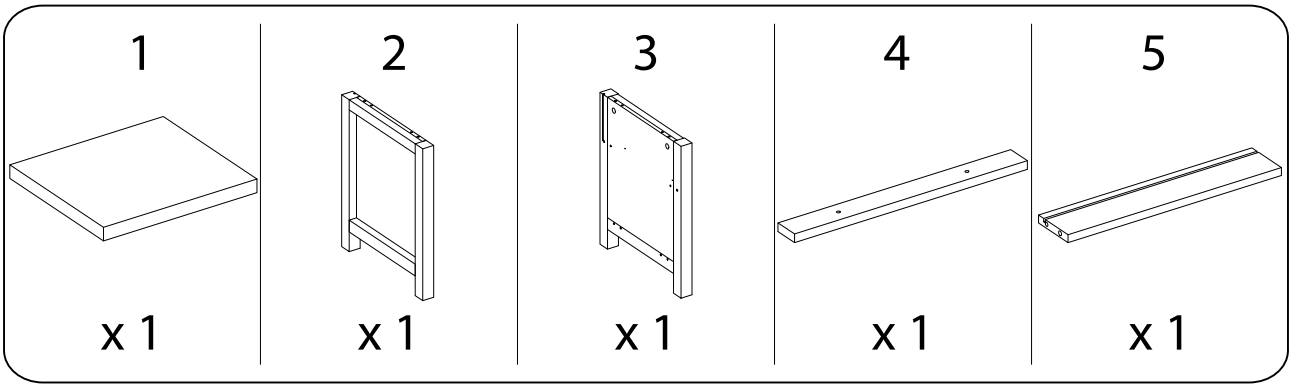
Assembly instructions for the table, including tool requirements, time, and person count.

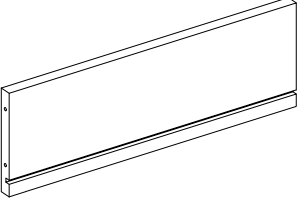
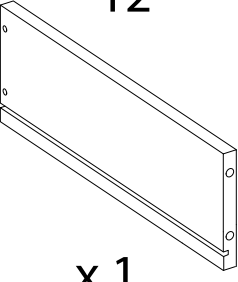
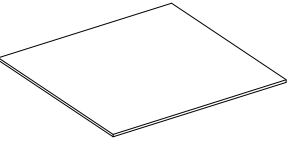
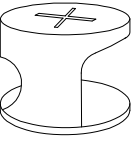
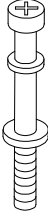
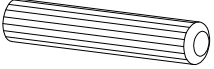
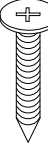
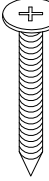
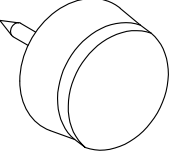
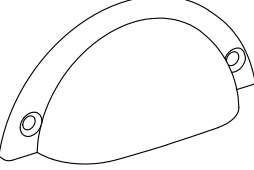
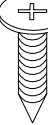
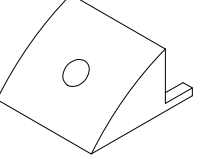
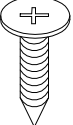
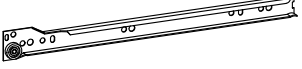
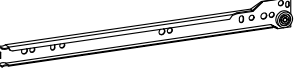

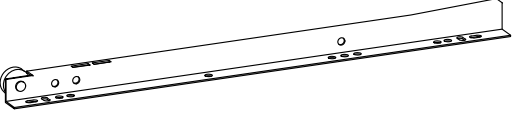
**Tools:** A circular icon shows a screwdriver and a power drill with a diagonal line through it, indicating that a screwdriver is required and a power drill is not. A warning triangle is positioned to the right of this icon set.

**Time:** A clock icon is shown with the number **40'** below it, indicating the estimated assembly time.

**Person Count:** A person icon is shown with the number **1** below it, indicating that one person is required for assembly.

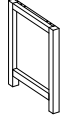
A second warning triangle is located below the first one, pointing to the second tool icon set.



<p>11</p>  <p>x 1</p>	<p>12</p>  <p>x 1</p>	<p>13</p>  <p>x 1</p>	<p>A</p>  <p>x 16</p>
<p>B</p>  <p>x 16</p>	<p>C</p>  <p>x 12</p>	<p>D</p>  <p>M4 x 25</p> <p>x 2</p>	<p>E</p>  <p>M4 x 35</p> <p>x 4</p>
<p>F</p>  <p>x 4</p>	<p>G</p>  <p>x 1</p>	<p>H</p>  <p>M3 x 10</p> <p>x 10</p>	<p>I</p>  <p>x 4</p>
<p>J</p>  <p>M3 x 14</p> <p>x 6</p>	<p>K</p>  <p>x 1</p>	<p>L</p>  <p>x 1</p>	<p>M</p>  <p>x 1</p>
<p>N</p>  <p>x 1</p>			

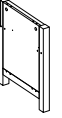
1

2



x 1

3



x 1

K



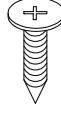
x 1

L



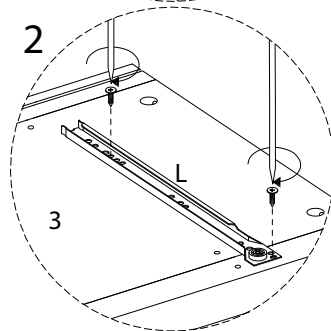
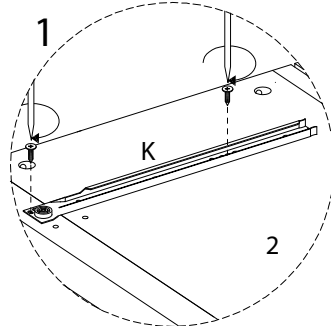
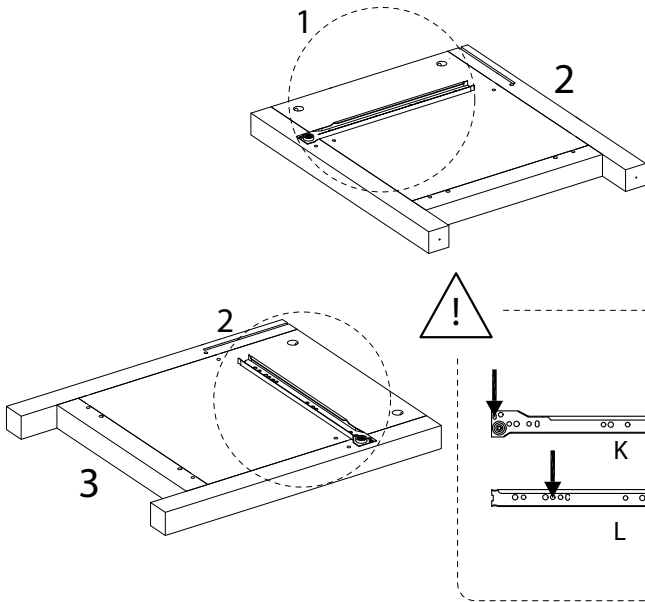
x 1

H



M3  
x 10

x 4



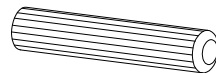
2

B

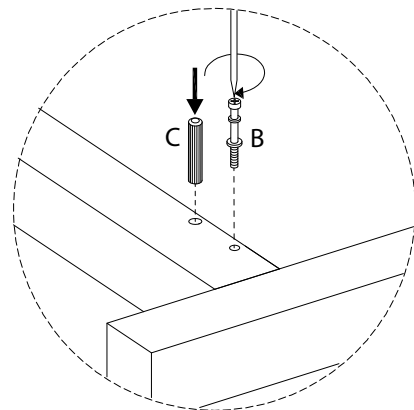
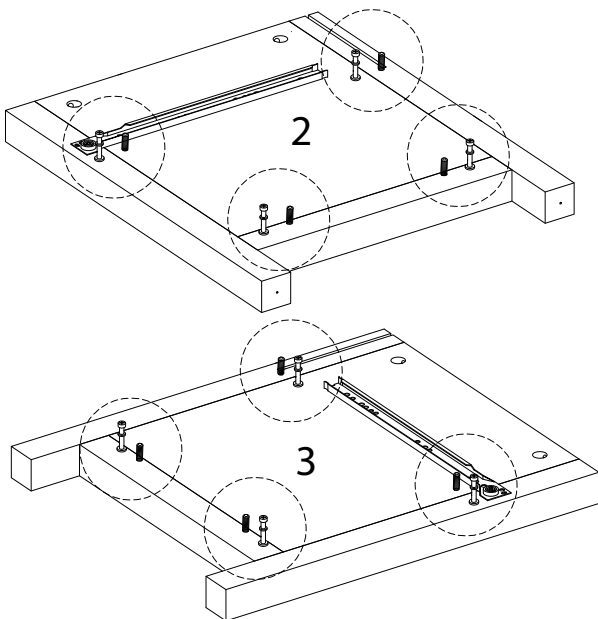


x 8

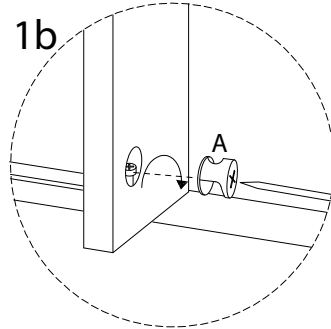
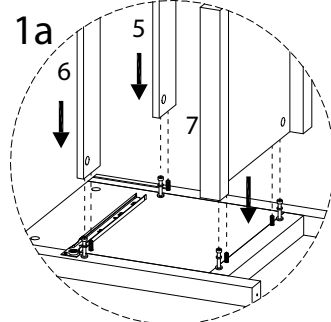
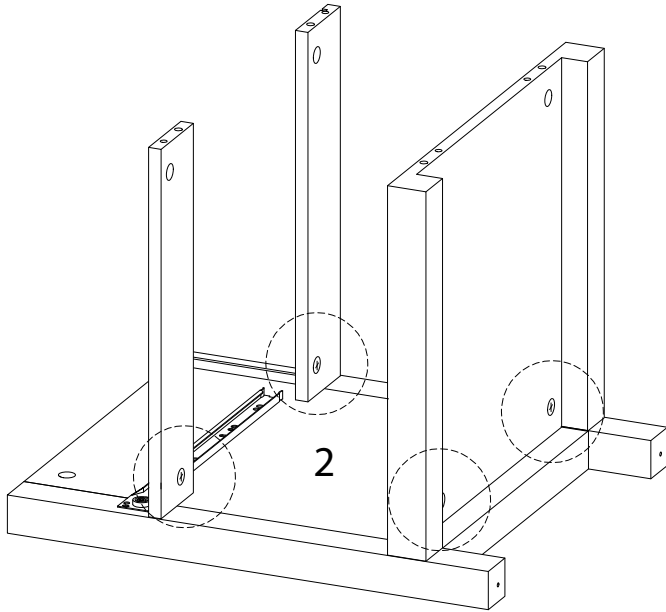
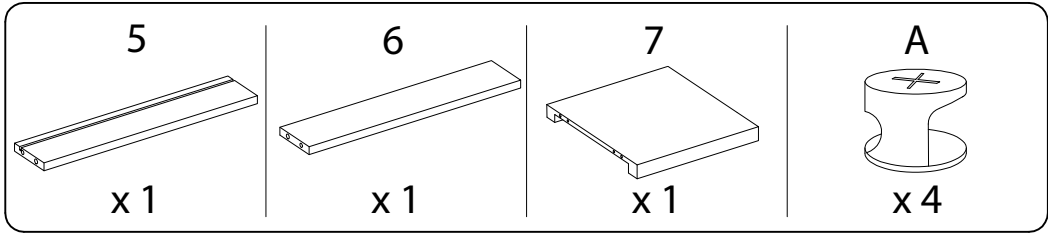
C



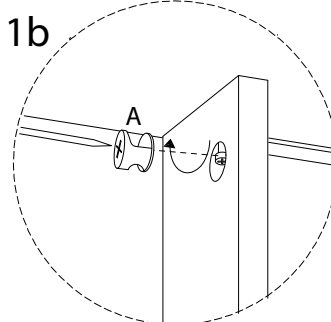
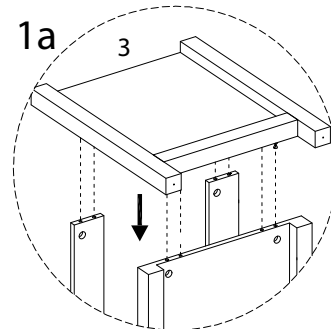
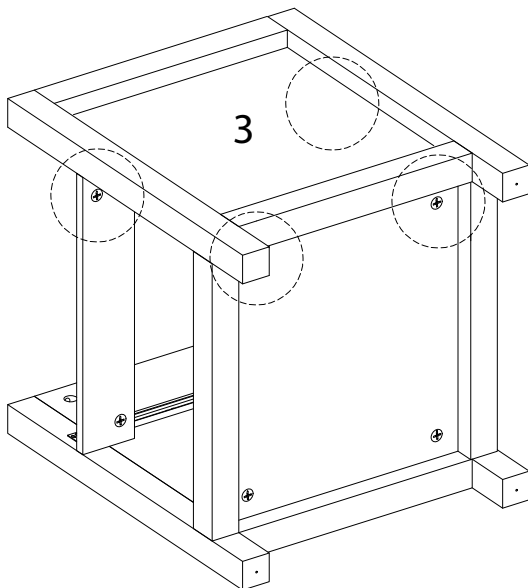
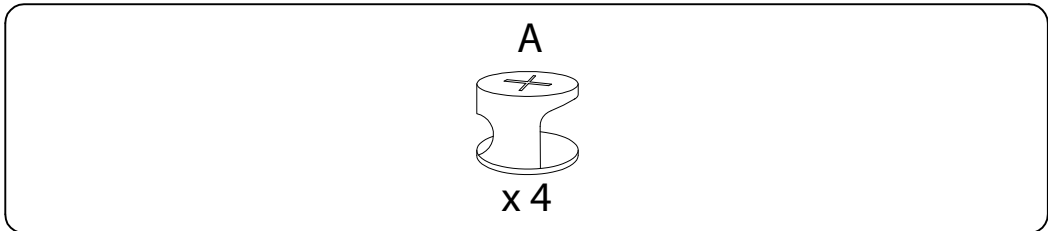
x 8



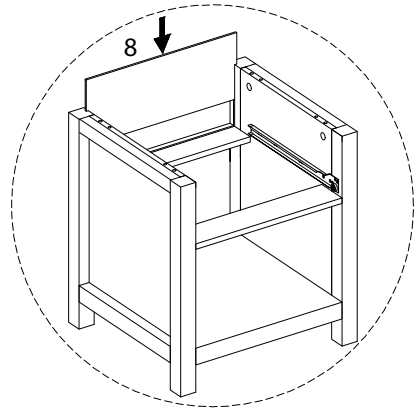
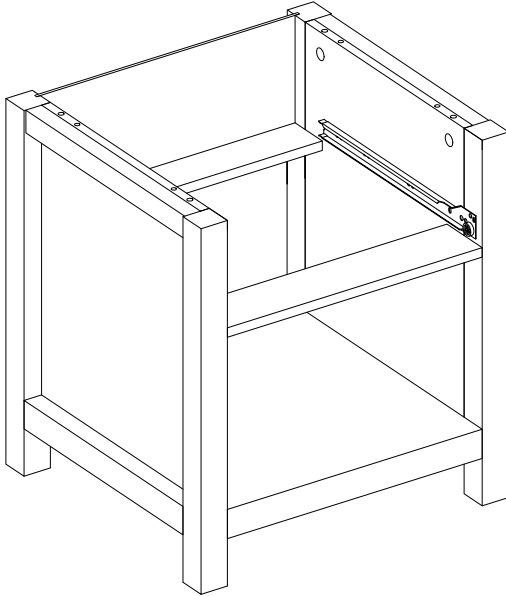
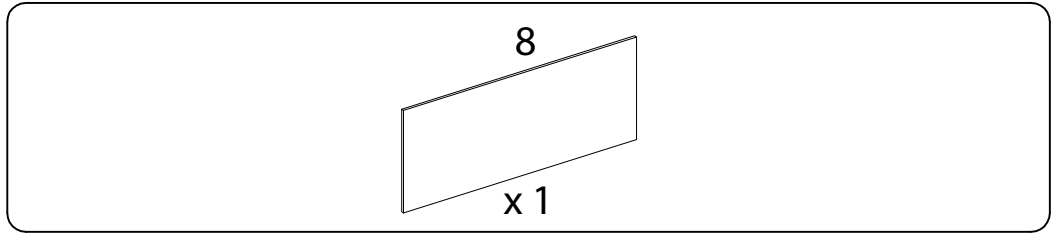
3



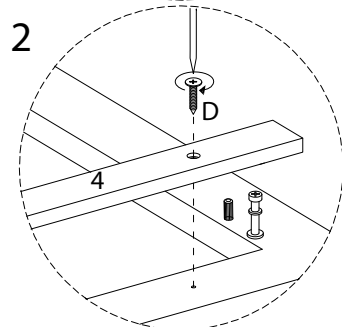
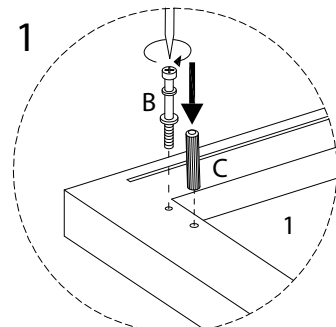
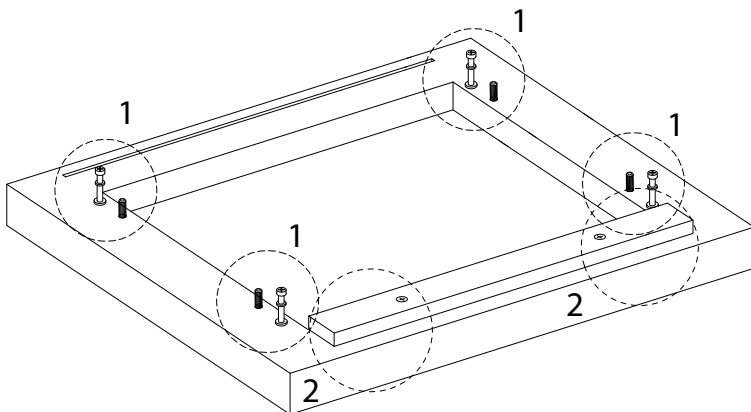
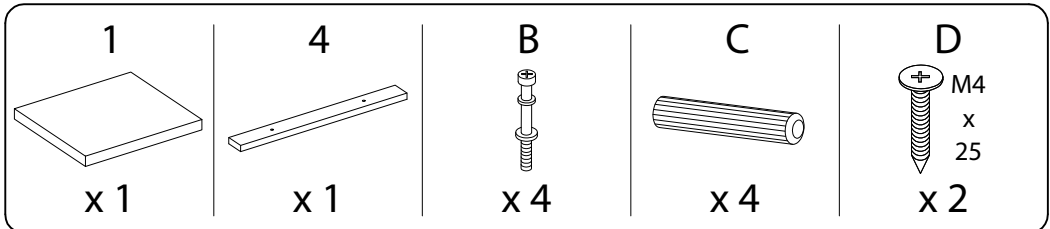
4



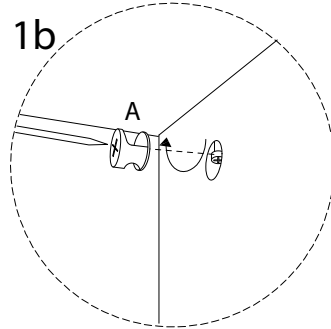
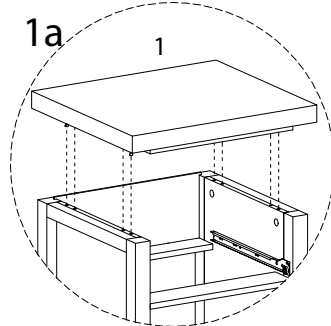
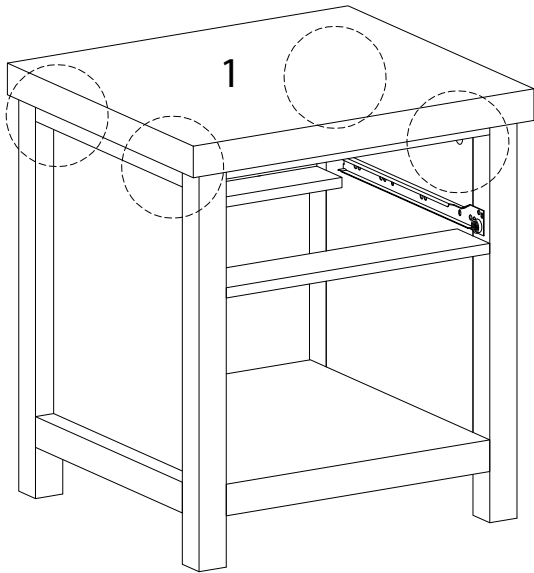
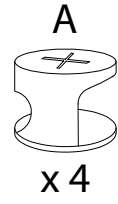
5



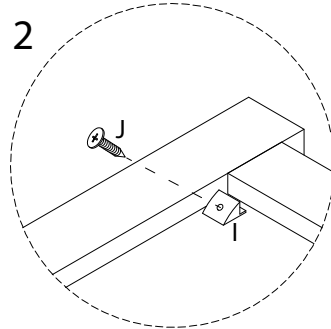
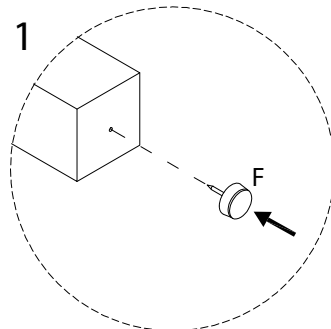
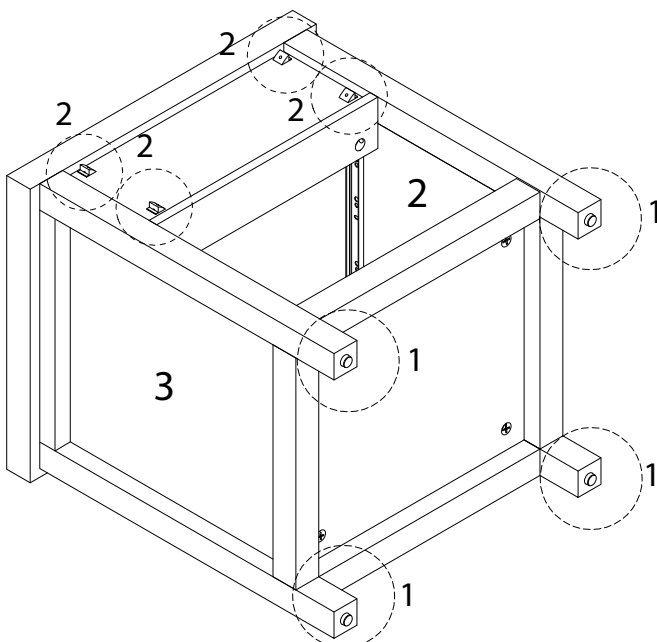
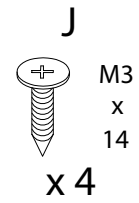
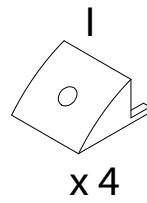
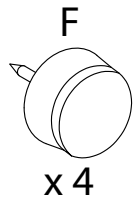
6



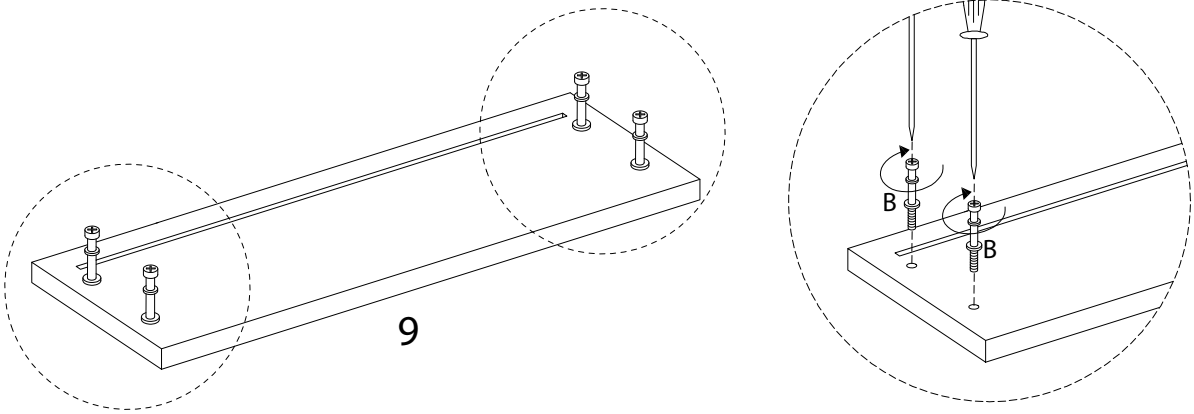
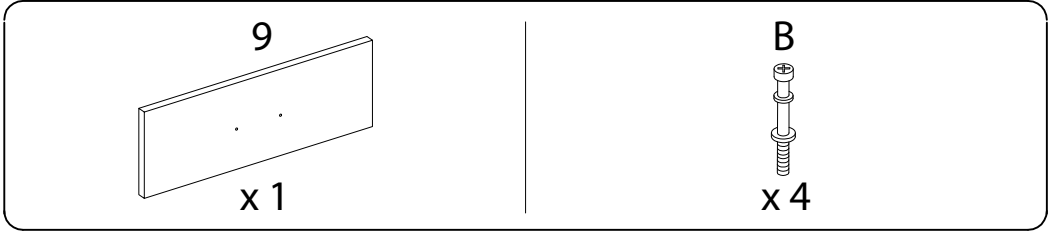
7



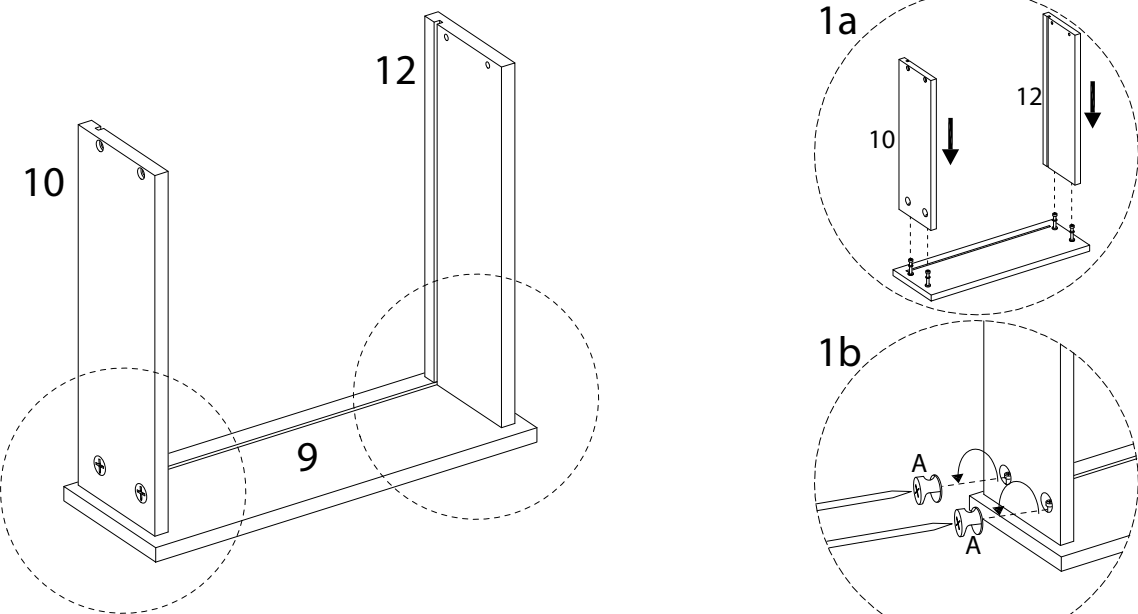
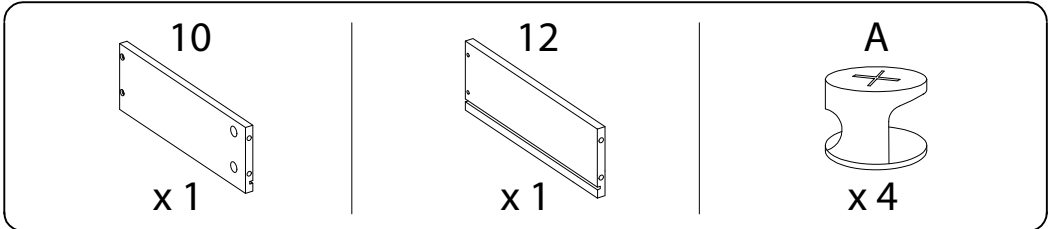
8



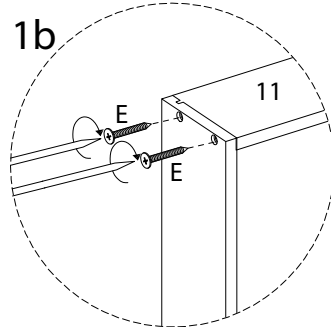
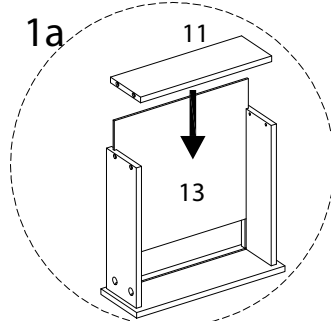
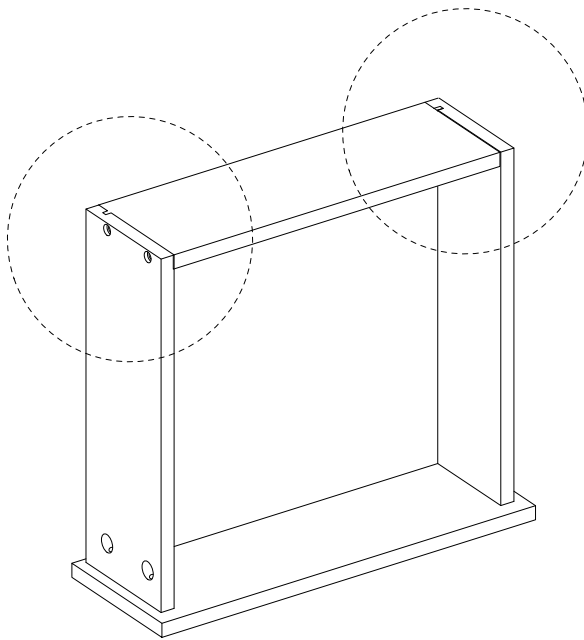
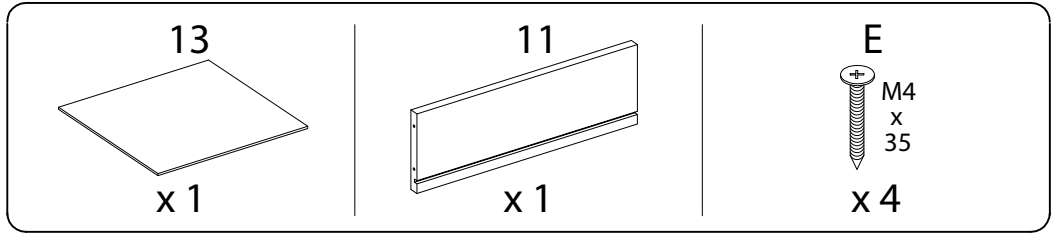
9



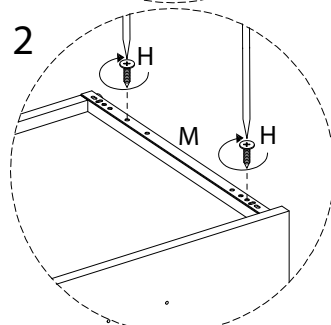
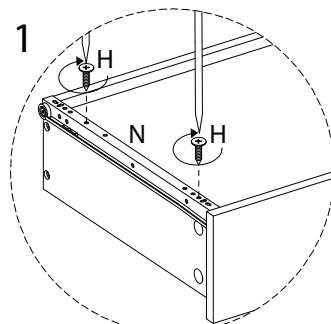
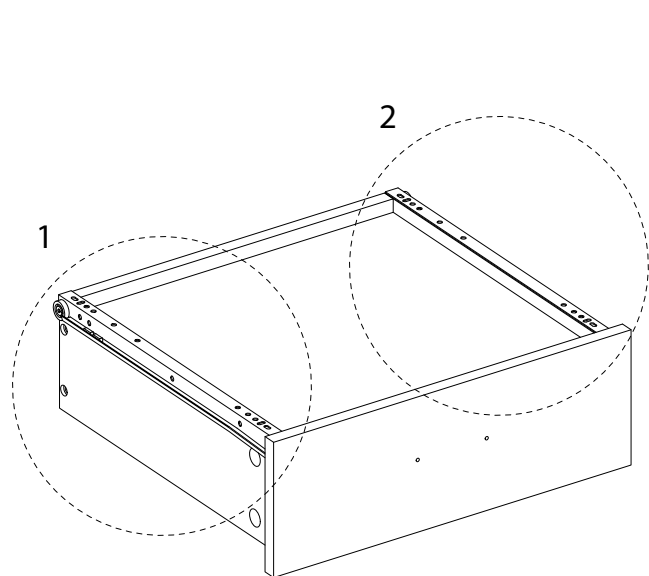
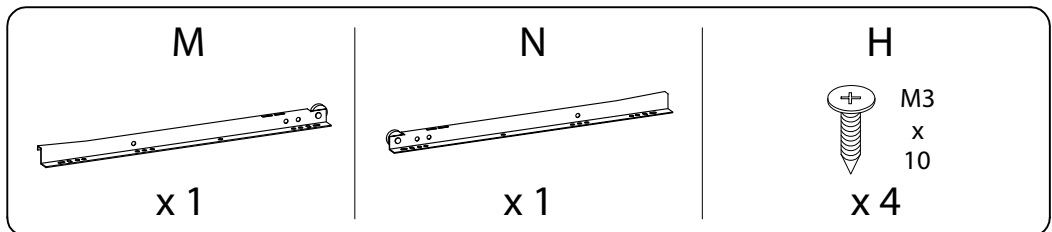
10



11

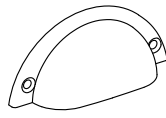


12



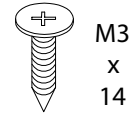
13

G



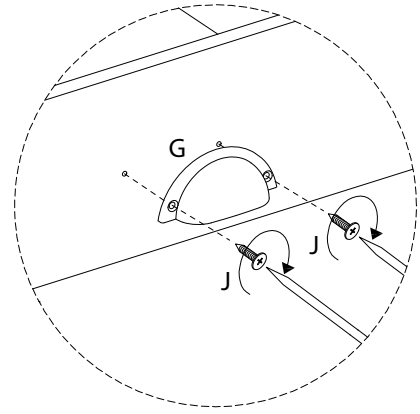
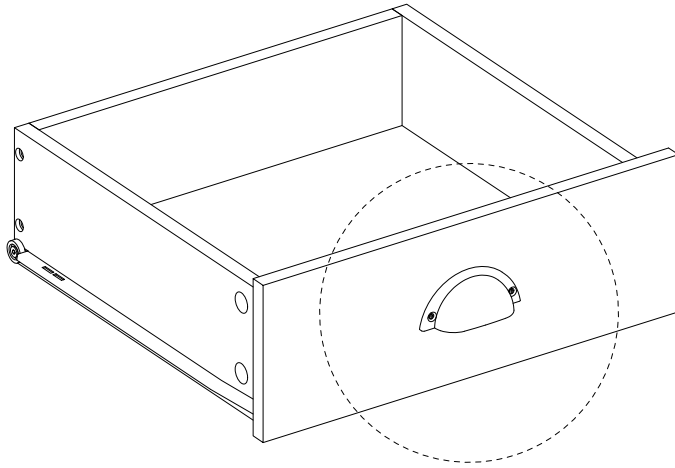
x 1

J

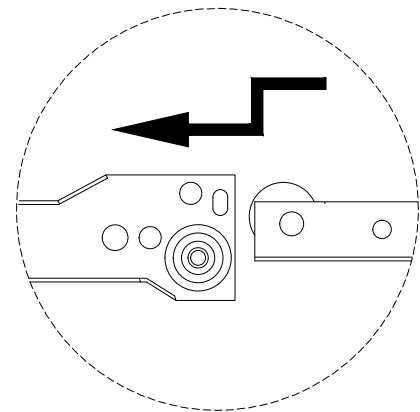
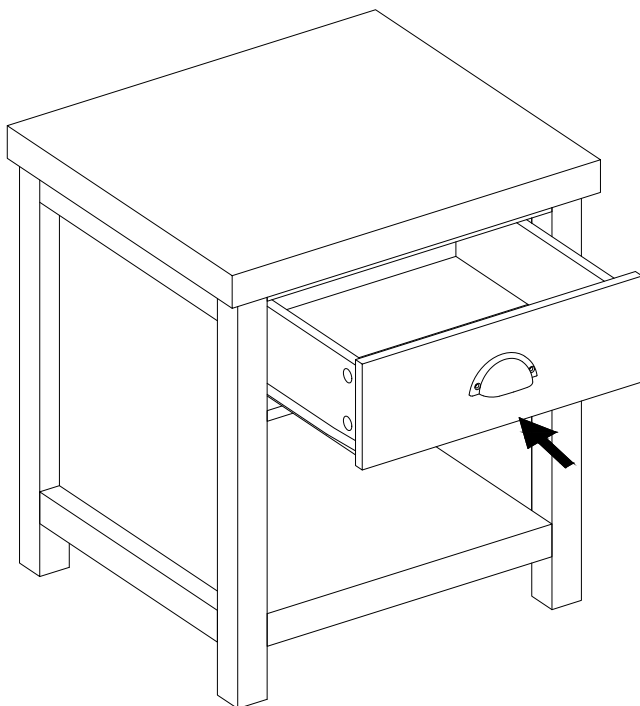


M3  
x  
14

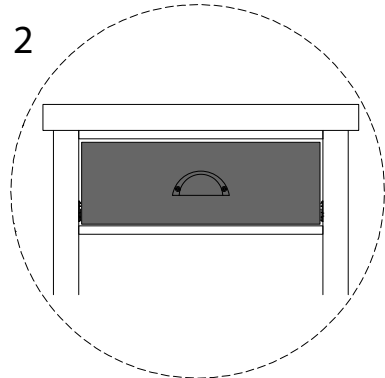
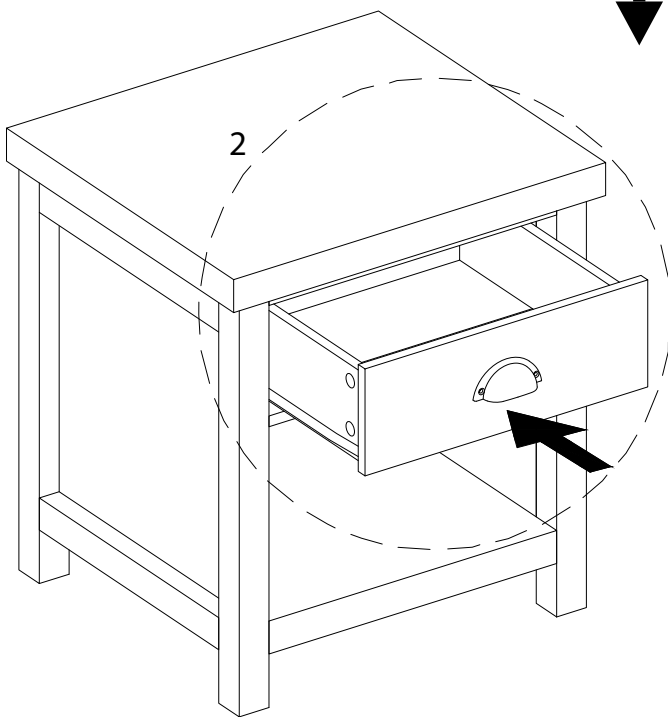
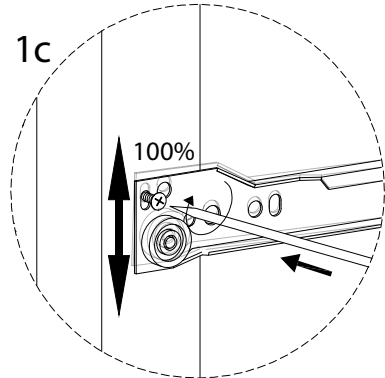
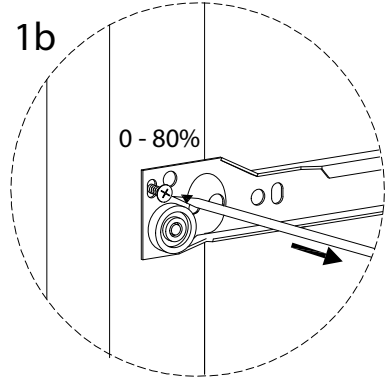
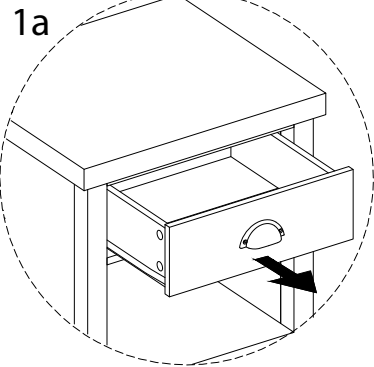
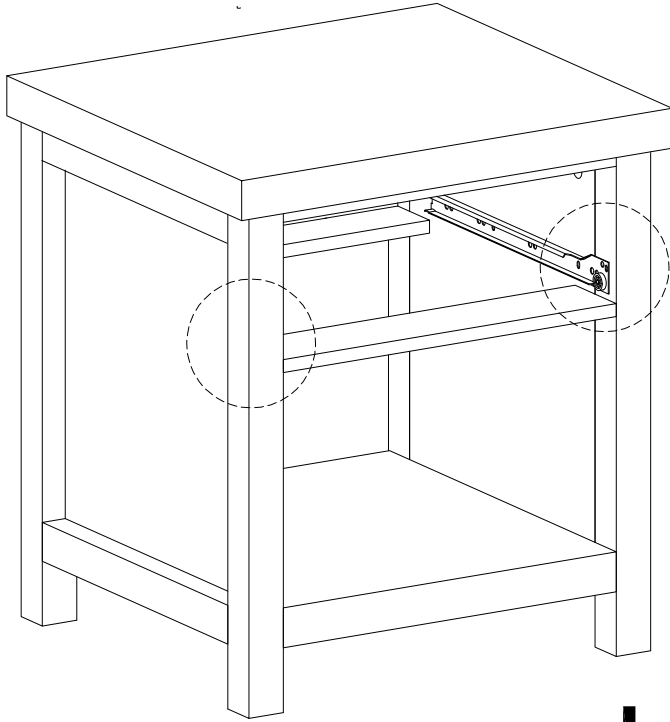
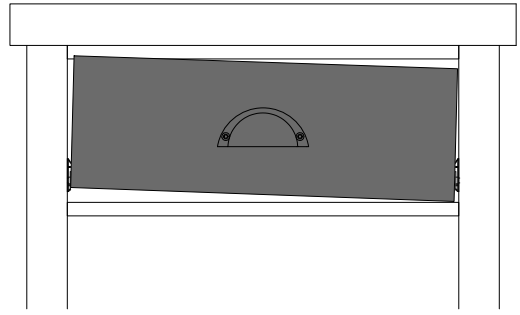
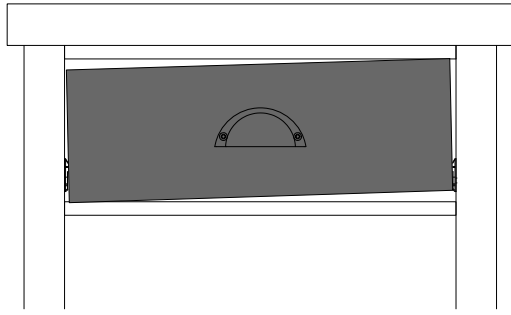
x 2



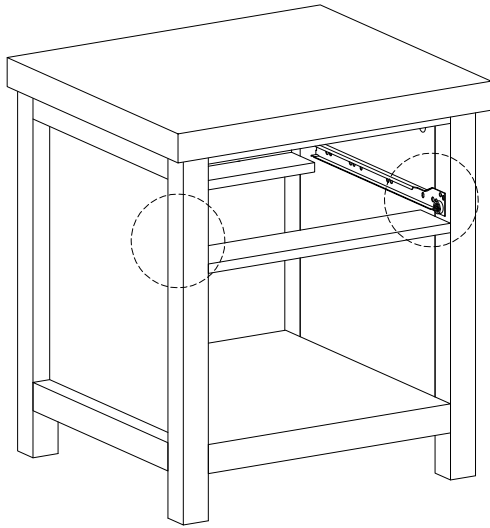
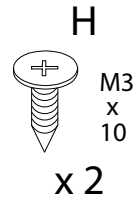
14



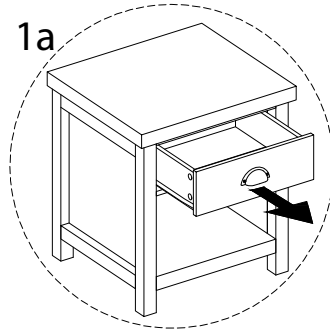
!



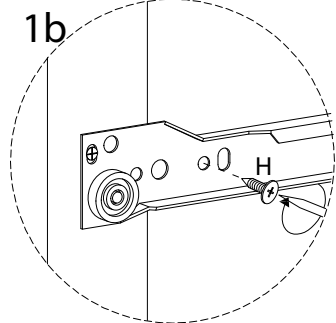
15



1a



1b



1c

