

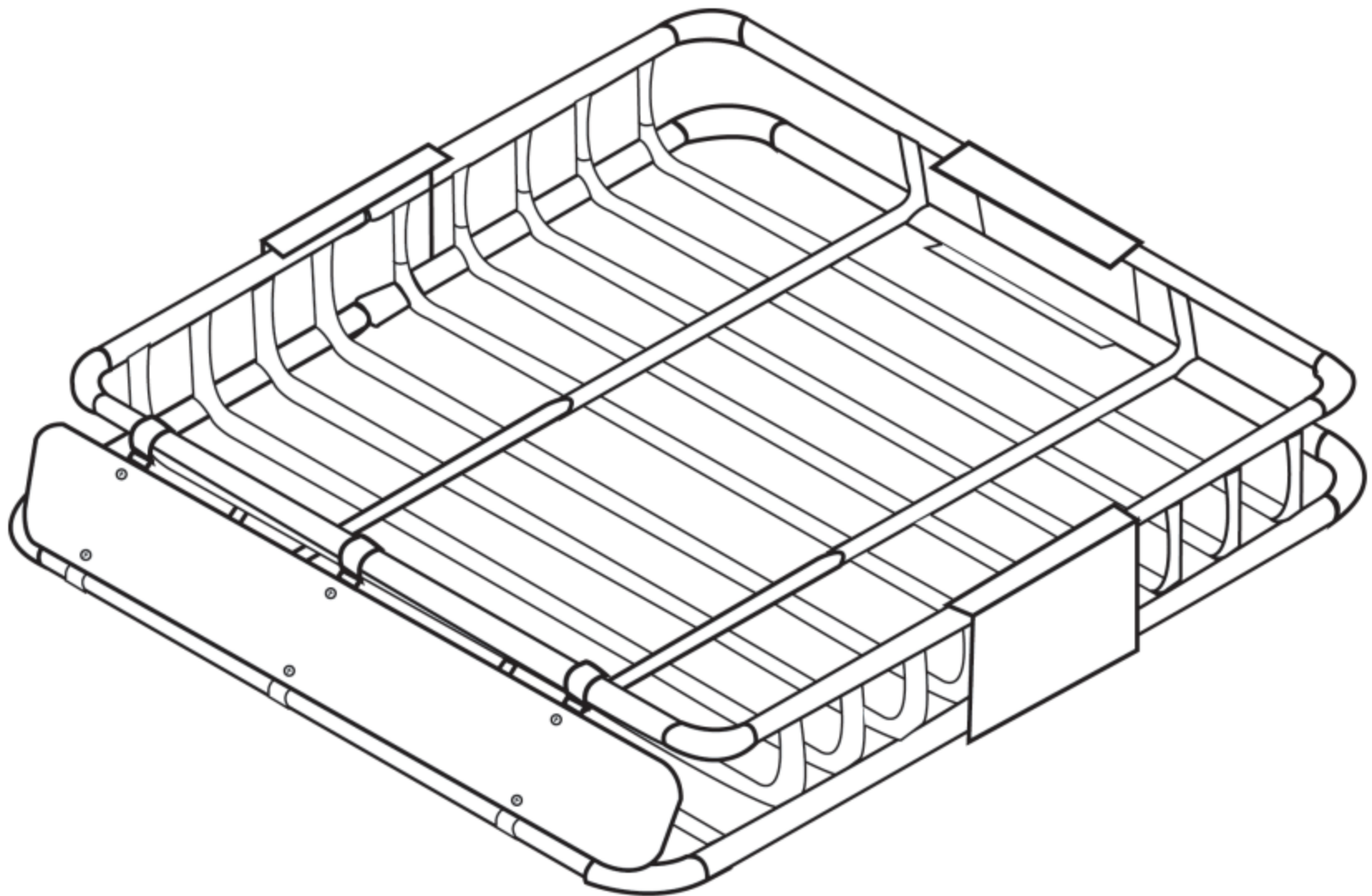
Roof Rack Cargo Carrier

OWNER'S MANUAL

Item# 04024542-A- 21

Item# 04024542-D- 21

Max. Load Capacity: 150lb

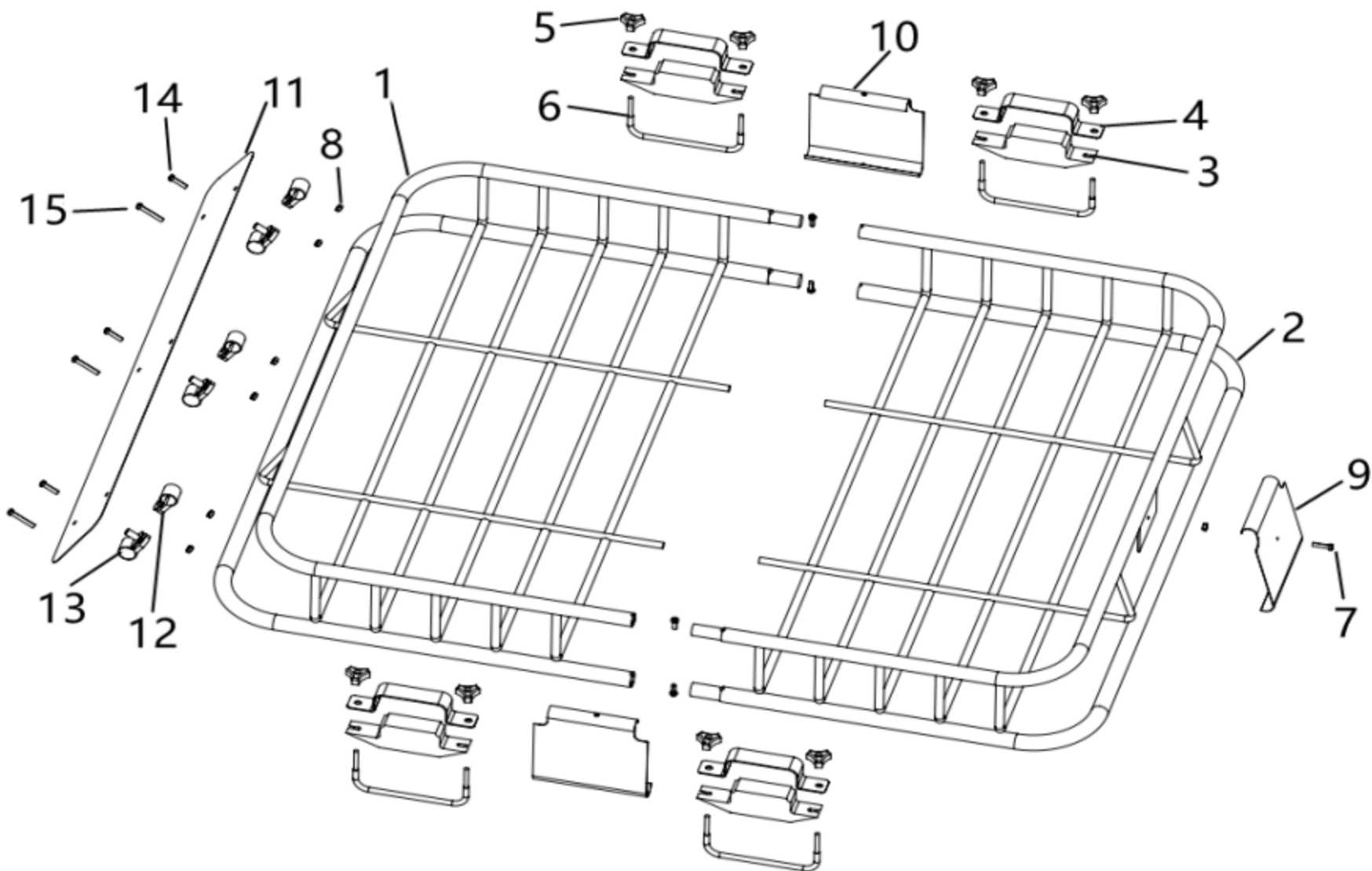


WARNING:

Read carefully and understand all **ASSEMBLY AND OPERATION INSTRUCTIONS** before operating. Failure to follow may result in serious personal injury.

PACKAGE CONTENT

Item #	Qty	Part Name
1	1	Front Basket
2	1	Rear Basket
3	4	Bracket Saddle
4	4	Bracket Top Plate
5	8	Knob
6	4	U-Bolt
7	5	M6X15 Screw
8	7	Nut
9	1	back Plate
10	2	Side Plate
11	1	Wind Deflector
12	3	Small clip for fairing top
13	3	Large clip for fairing bottom
14	3	M6X25 Screw
15	3	M6X40 Screw



Assembly & Installation

- 1) Slide the front and rear baskets together, as shown in **Figure 1**.

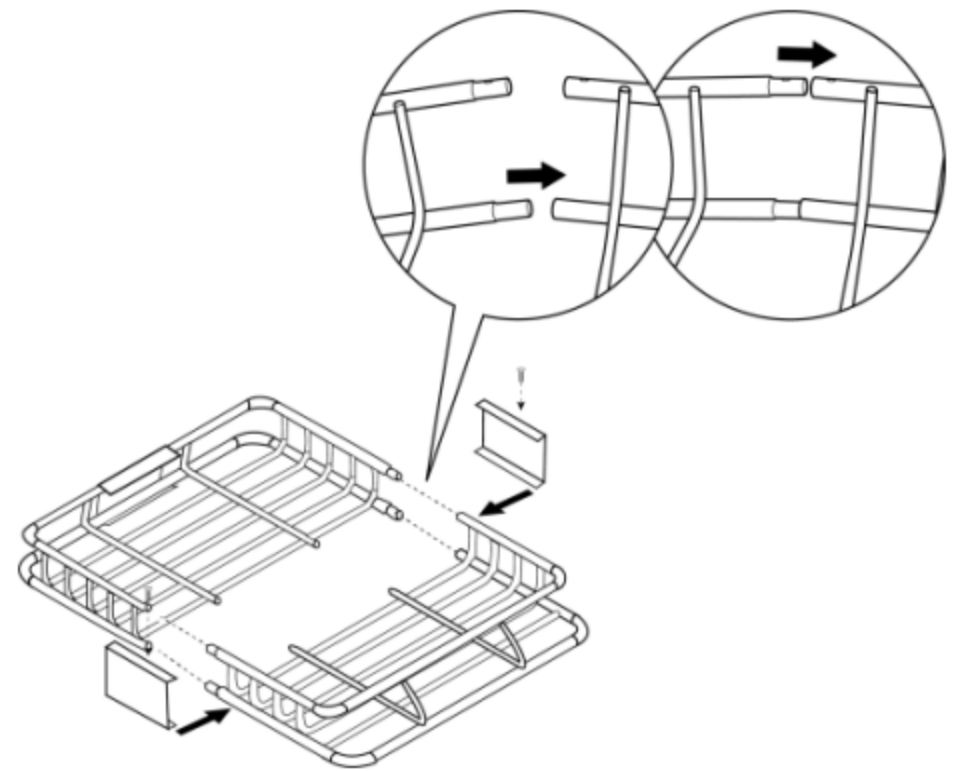


Figure 1

- 2) Attach the side plates (10) to the rack sides using M6X15 screws (7) and one rear plate (Item 9) to the rear of the basket using one M6X15 (7) and one NUT (Item 8), as shown in **Figure 2**.

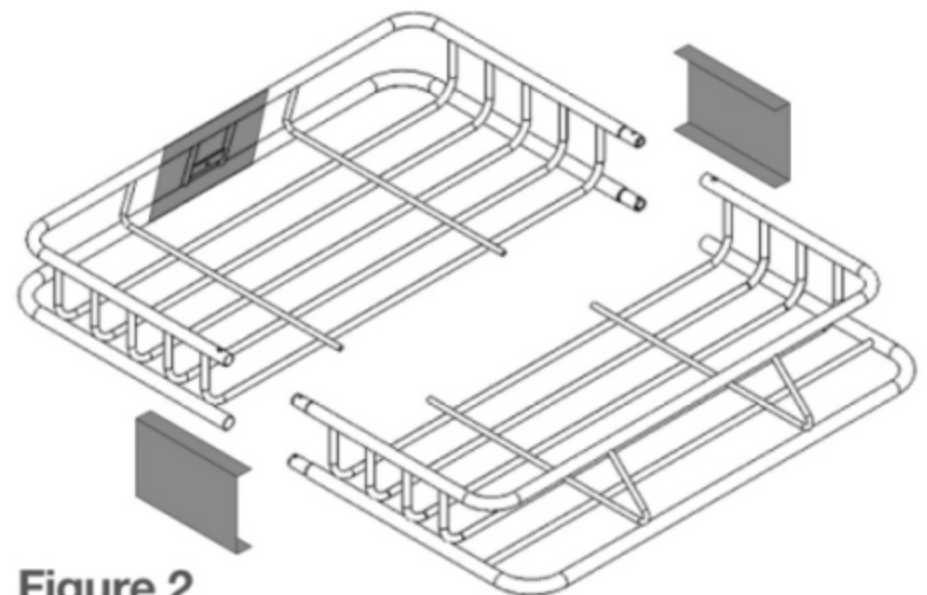


Figure 2

- 3) Place the basket on top of the roof rack of your vehicle.

- 4) Snap a bracket saddle (3) into the basket as shown in **Figure 3**, the bracket saddle sits on the cross bar of your roof rack.

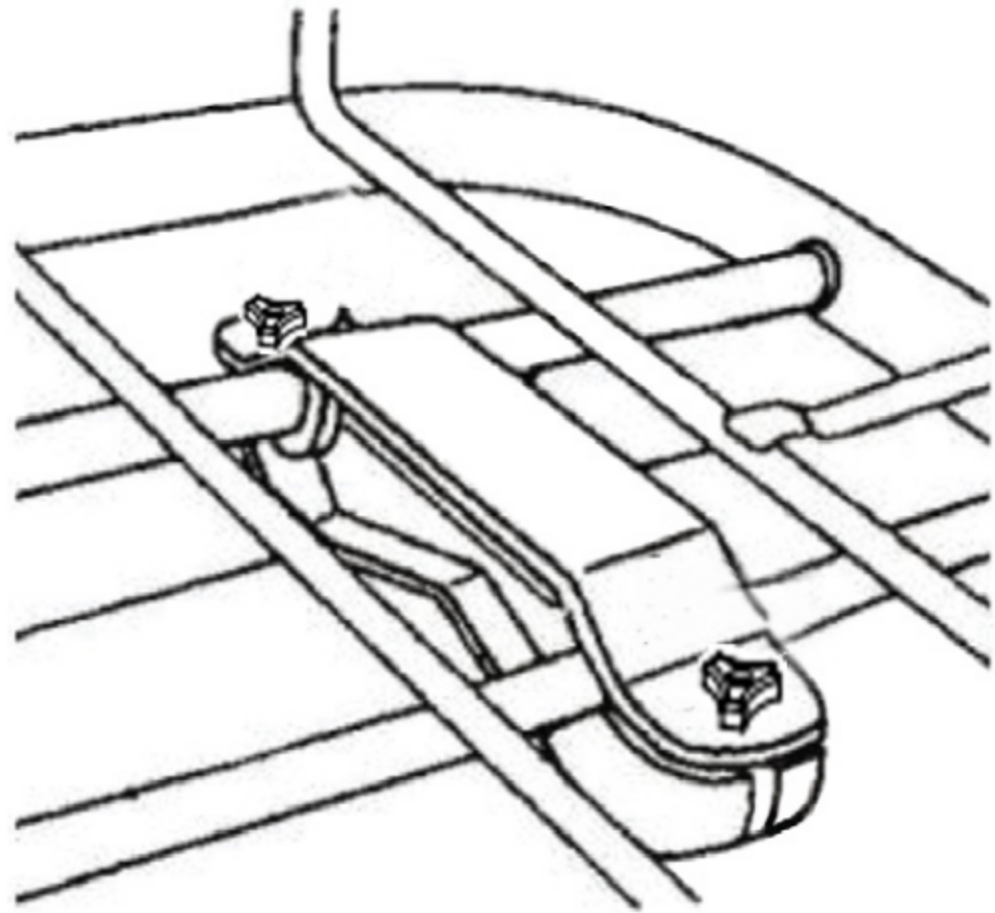


Figure 3

- 5) Secure the saddle with a bracket top plate (4), two knobs (5), and one U-bolt (6), see **Figure 4**.

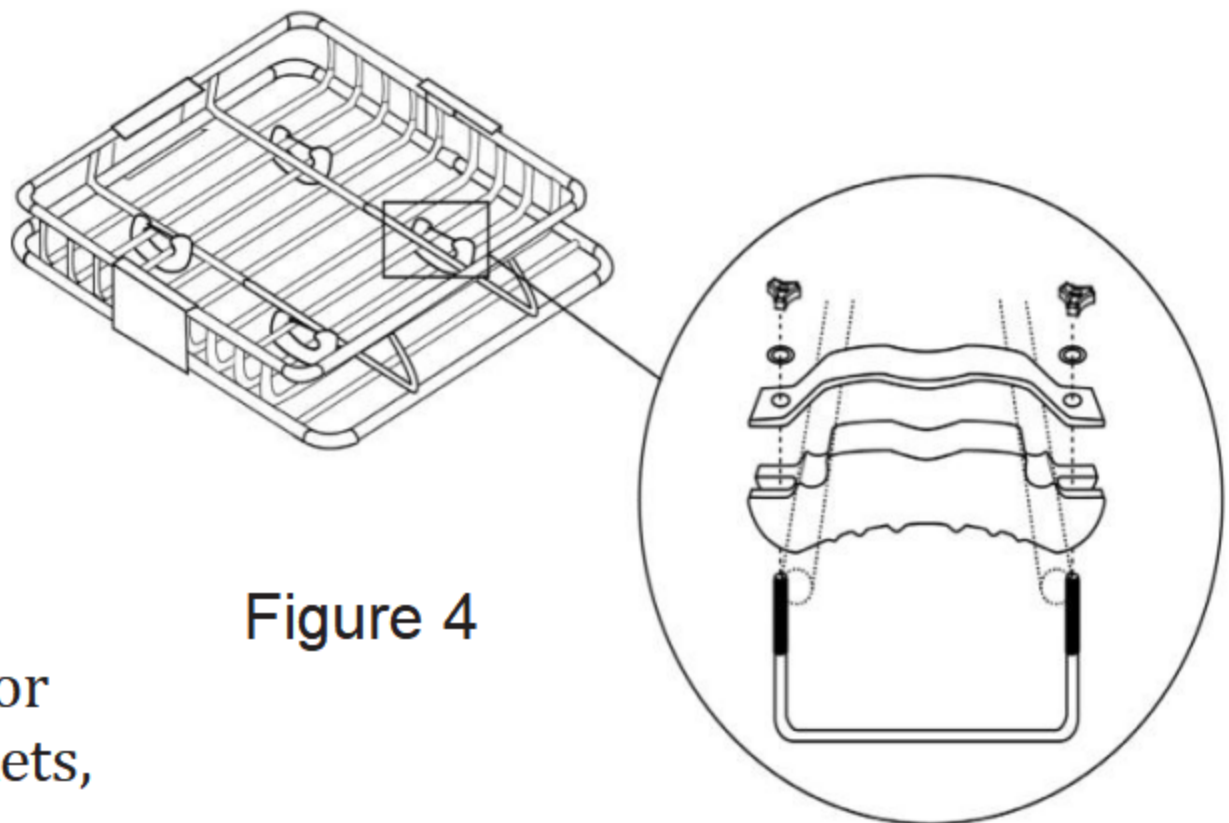


Figure 4

- 6) Repeat steps 4 & 5 for the other four brackets, see Figure 4.

- 7) Assemble the wind deflector.
First snapping the 3 smaller top clips (12) and the 3 larger bottom clips (13) onto the front top and bottom tubes. Ensure that the holes for the nuts are facing the rack. Install the wind deflector to the clips using, on the top, three short bolts (14) and 3 nuts (8), and on the bottom, use 3 long bolts (15) and 3 nuts (8). Refer to **Figures 5 and 6.**

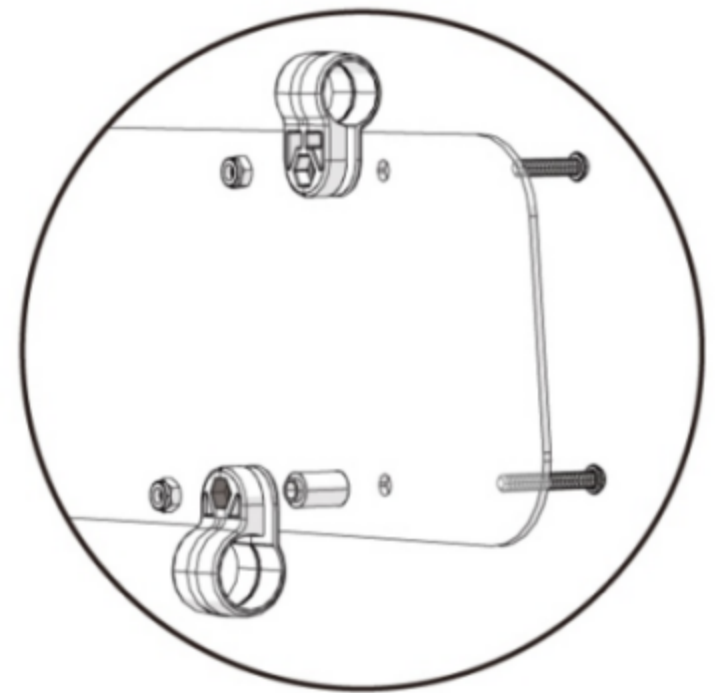


Figure 5

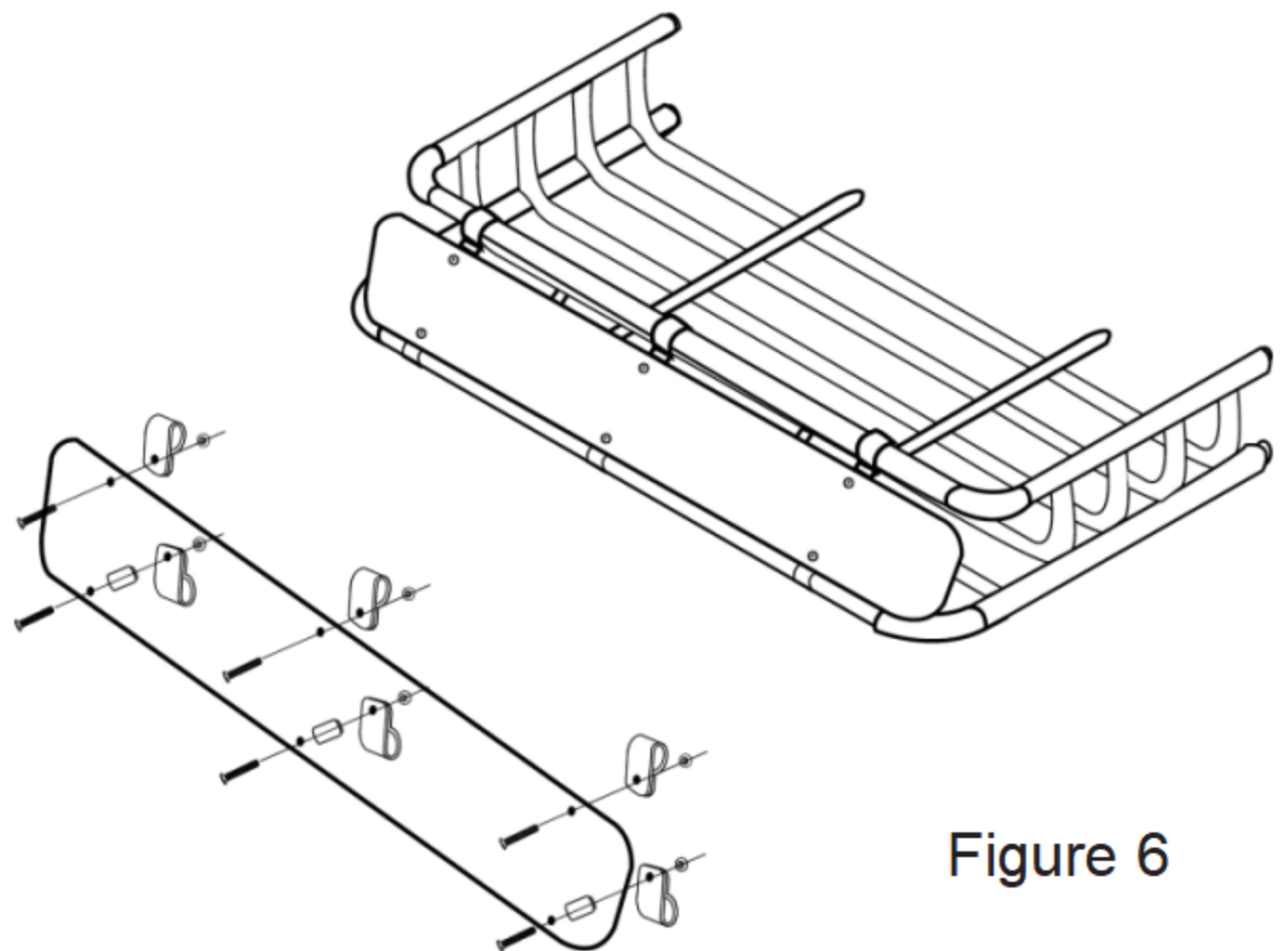


Figure 6