






### CARE AND MAINTENANCE

Spot clean using a mild water-free solvent. Only a professional cleaner should undertake a complete overall cleaning. The use of steam or water-based cleaners may cause excessive shrinking or staining.

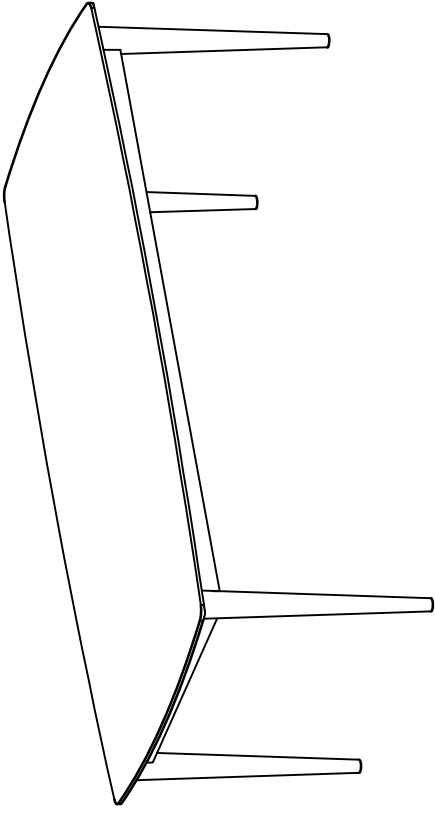
### NOTICE

- \* Please make sure that you have all parts indicated before you begin assembly of this item
- \* This item should be assembled on a soft surface to prevent scratching the finish during assembly
- \* This item may require periodic tightening

### Part List and Hardware List

PIECE	DESCRIPTION	PICTURE	QUANTITY
P	Table Top		1X
Q	Leg		4X
HW1	Allen bolt 60x8 mm		8X
HW2	Flat washer 25x8 mm		8X
HW3	Allen key 4 mm		1X

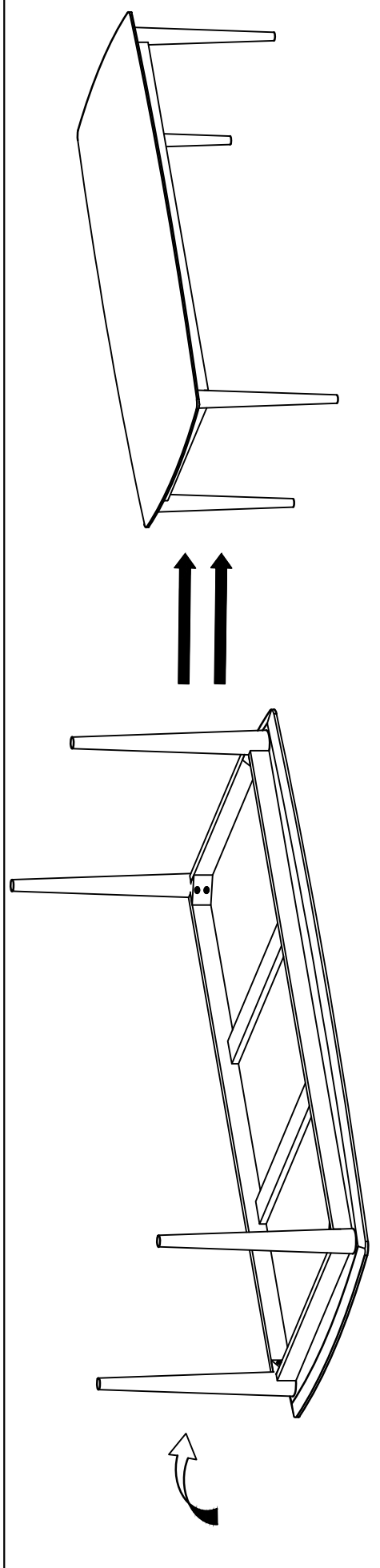
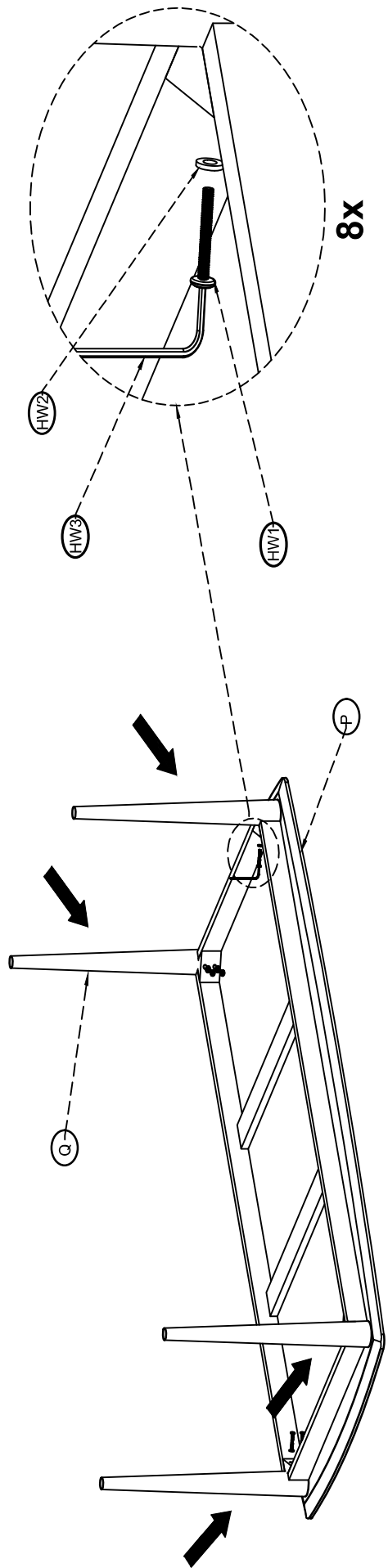
Product dimensions: 68.9"W X 35.4"D X 29.9"H



**⚠ WARNING ⚠**  
Weight Capacity - 220 LBS  
Warning : Do not stand on Table  
Warning : Do not over torque bolts.

**PREPARATION**

Before beginning assembly of product, make sure all parts are present. Compare parts with package contents list and hardware contents list. If any part is missing or damaged, do not attempt to assemble the product.  
Estimated Assembly Time: 15 minutes.  
Tools Required for Assembly (included): Allen Key



STEP1 PUT LEGS ON TOP AS SHOWN IN PICTURE

STEP2 PUT THE WASHERS (HW2) ON THE ALLEN BOLT (HW1) IN THE ORDER SHOWN IN THE PICTURE

STEP3 INSERT ALLEN BOLT WITH WASHER INTO THE TABLE FRAME HOLE AS SHOWN AND TIGHTEN WITH ALLEN KEY(HW3).