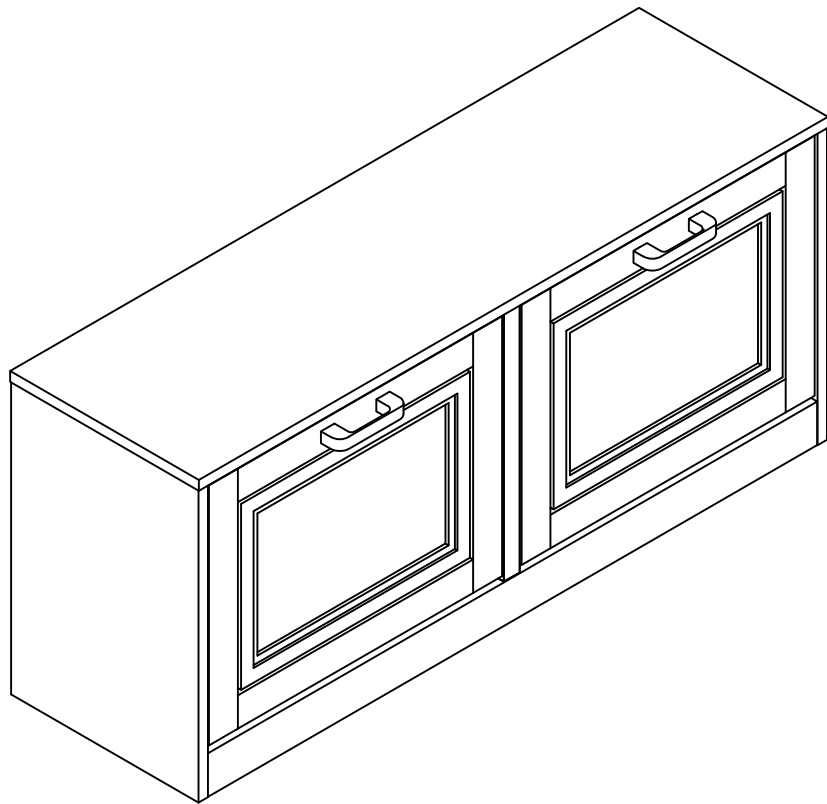




## STORAGE BENCH ASSEMBLY INSTRUCTIONS



<http://www.thevividwood.com/storagebenchetsb001>

## WARM REMIND



If you encounter any problems in the installation process, you can scan the QR code to watch the teaching video or contact us by email, we will reply you in time. Email: [support@thevividwood.com](mailto:support@thevividwood.com)

## SAFETY WARNING

### **1.WARNING: HEAVY PARTS!**

Lift with care. Use two people to move large panels. Dropping parts may cause injury or damage floors.

### **2.WARNING: USE CORRECT TOOLS ONLY!**

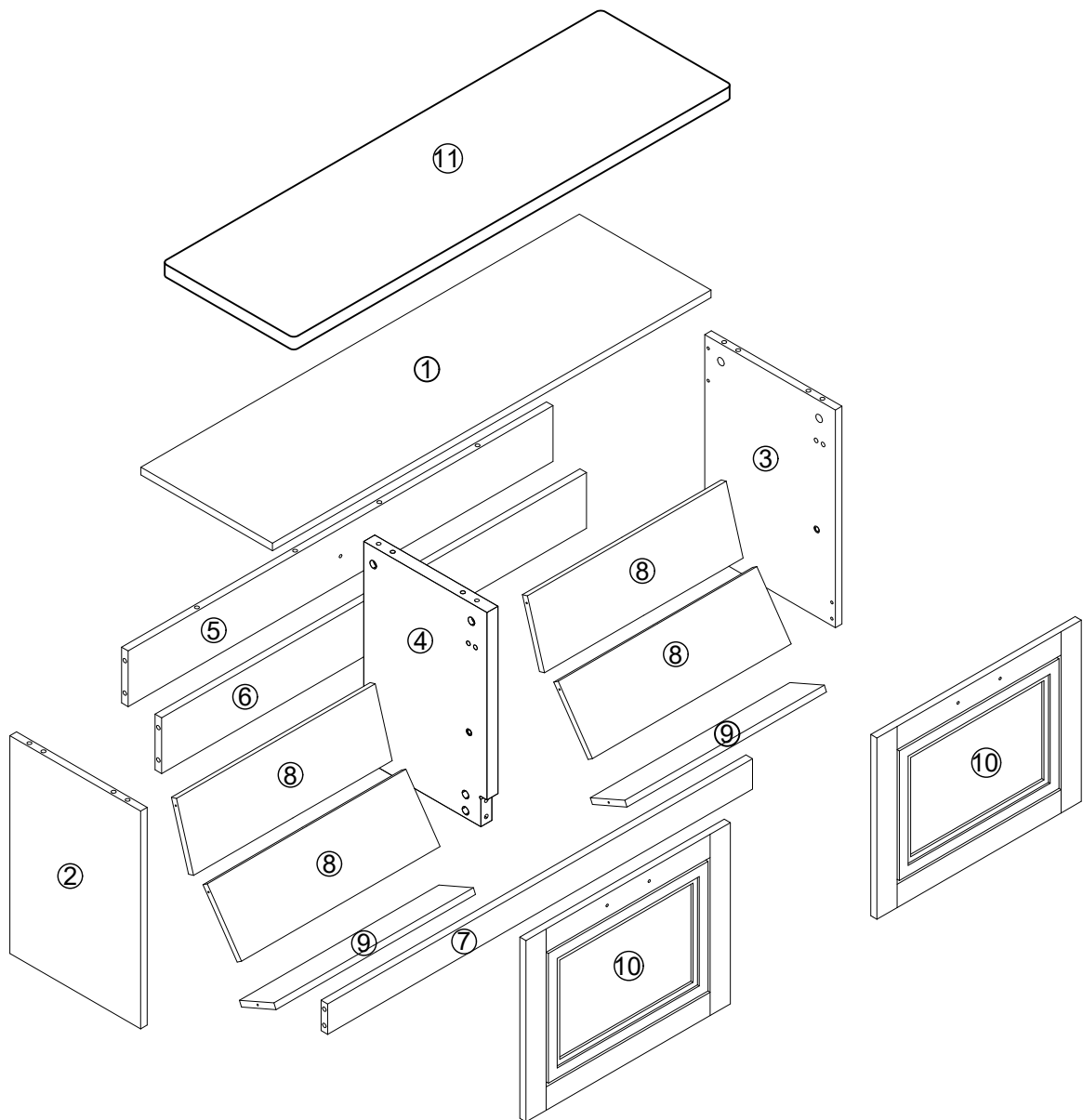
Assemble with provided tools. Do NOT use power drills/ excessive force. Forcing parts may crack wood or strip hardware.

### **3.CAUTION: PROTECT SURFACES!**

Assemble on soft, flat flooring (e.g., carpet/blanket). Avoid dragging panels to prevent scratches.

### **4.WARNING: FOLLOW STEPS EXACTLY!**

Read ALL instructions first. Skipping steps or incorrect assembly may cause instability, leading to tip-over hazards.

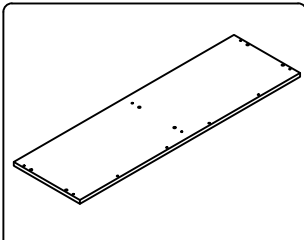


**! WARNING:**

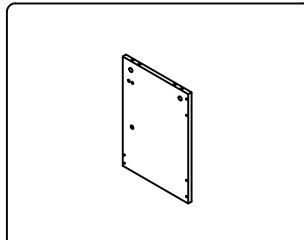
1. Before beginning assembly, please ensure that you have all the required parts if anything is missing, please contact us for assistance instead of immediately initiating a return. We are here to help.

2. Please put on gloves to avoid chafing.

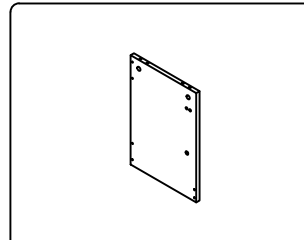
# hardware list



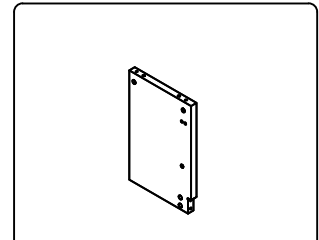
1 | 1 PC



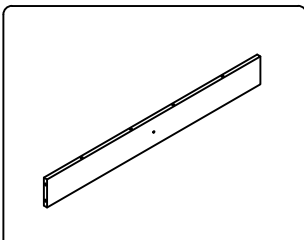
2 | 1 PC



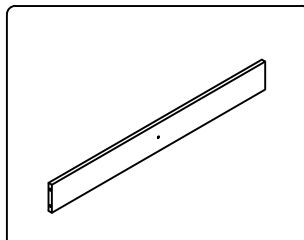
3 | 1 PC



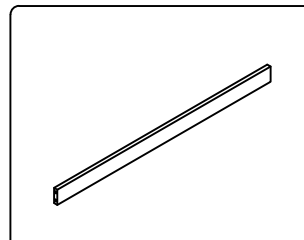
4 | 1 PC



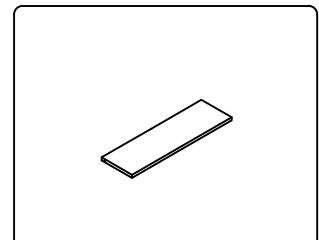
5 | 1 PC



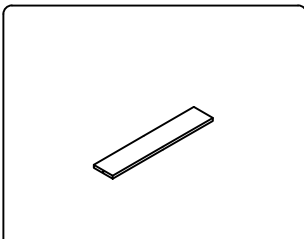
6 | 1 PC



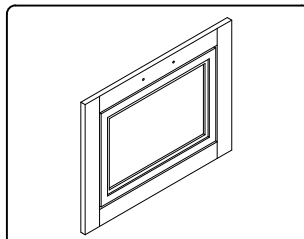
7 | 1 PC



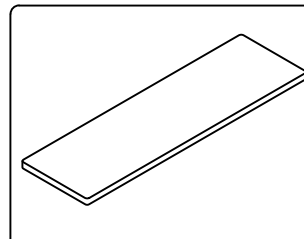
8 | 4 PCS



9 | 2 PCS

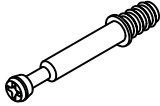





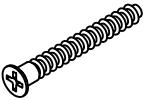
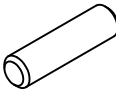
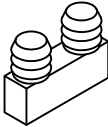

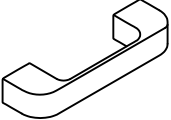


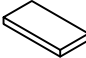
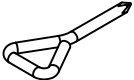
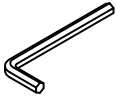



10 | 2 PCS

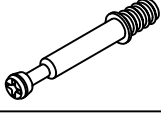


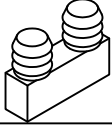
11 | 1 PC

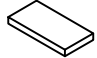
# hardware list

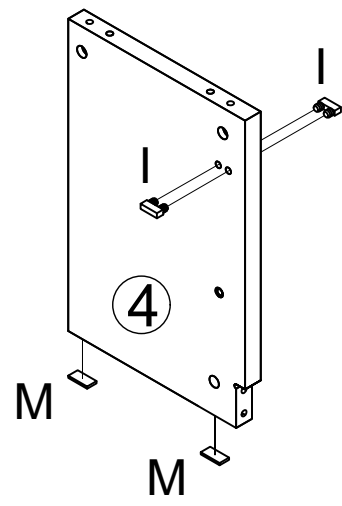
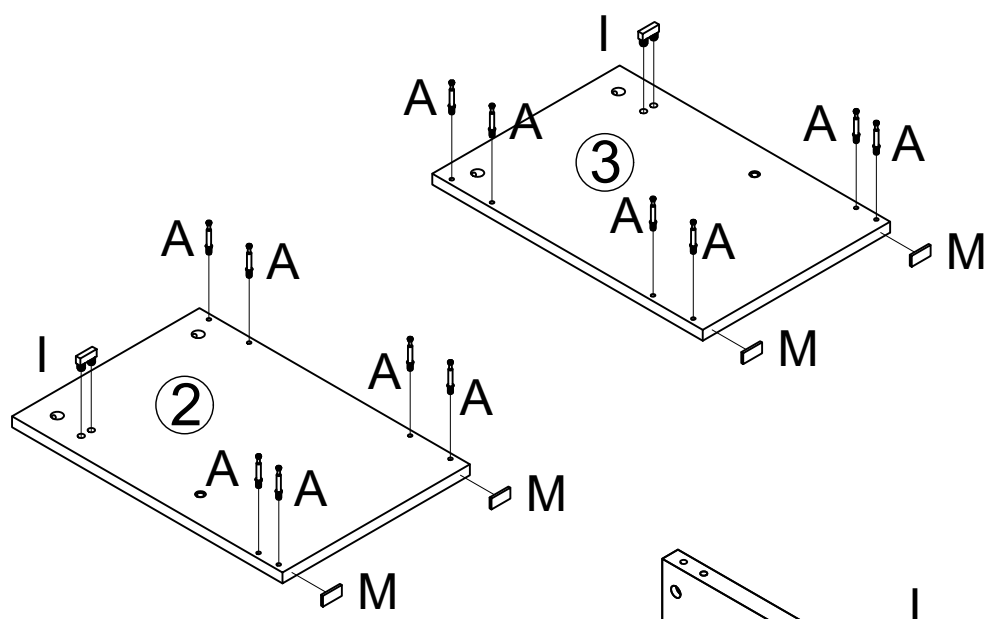
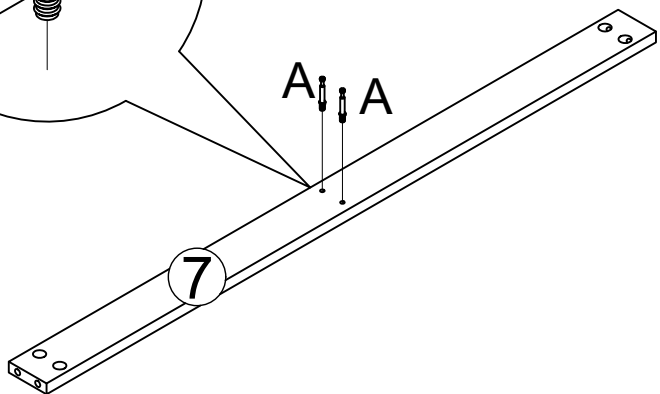
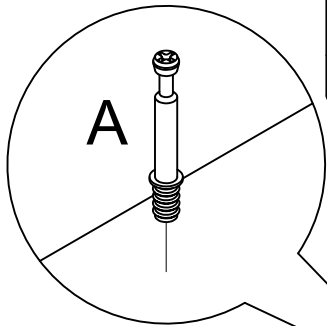
A	X 24	B	X 24	C	X 12	D	X 12	E	X 4
									
Ø6x45mm		Ø15x9.5mm		Ø3.5x25mm		Ø3.5x14mm		M6x18mm	
F	X 4	G	X 2	H	X 6	I	X 4	J	X 4
									
M4x18mm		M5x40mm		Ø8x30mm					
K	X 2	L	X 2	R	X 2	M	X 6	N	X 1
									
						30x15x5mm			
O	X 1	P	X 20						
									

# STEP 1

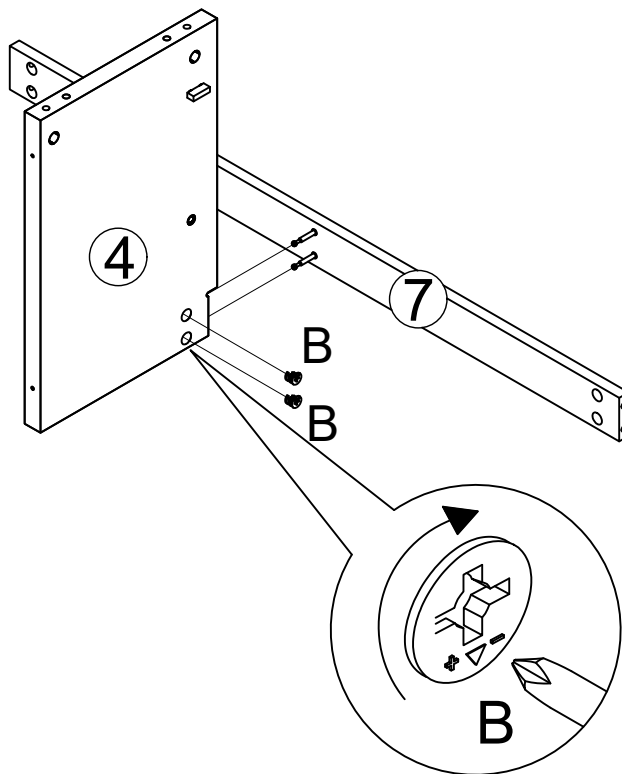
A	X 14
	
Ø6x45mm	

I	X 4
	

M	X 6
	
30x15x5mm	

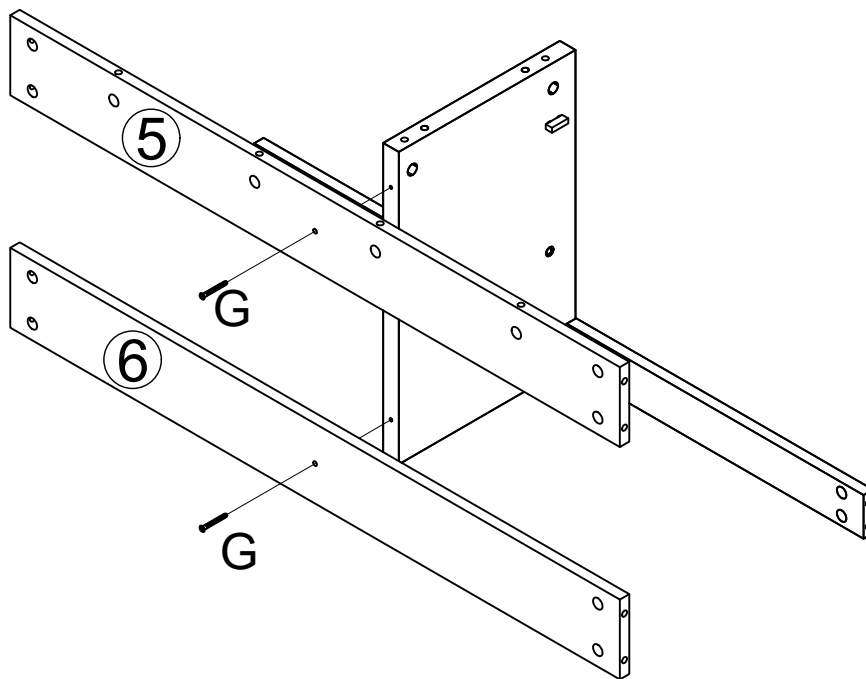


## STEP 2



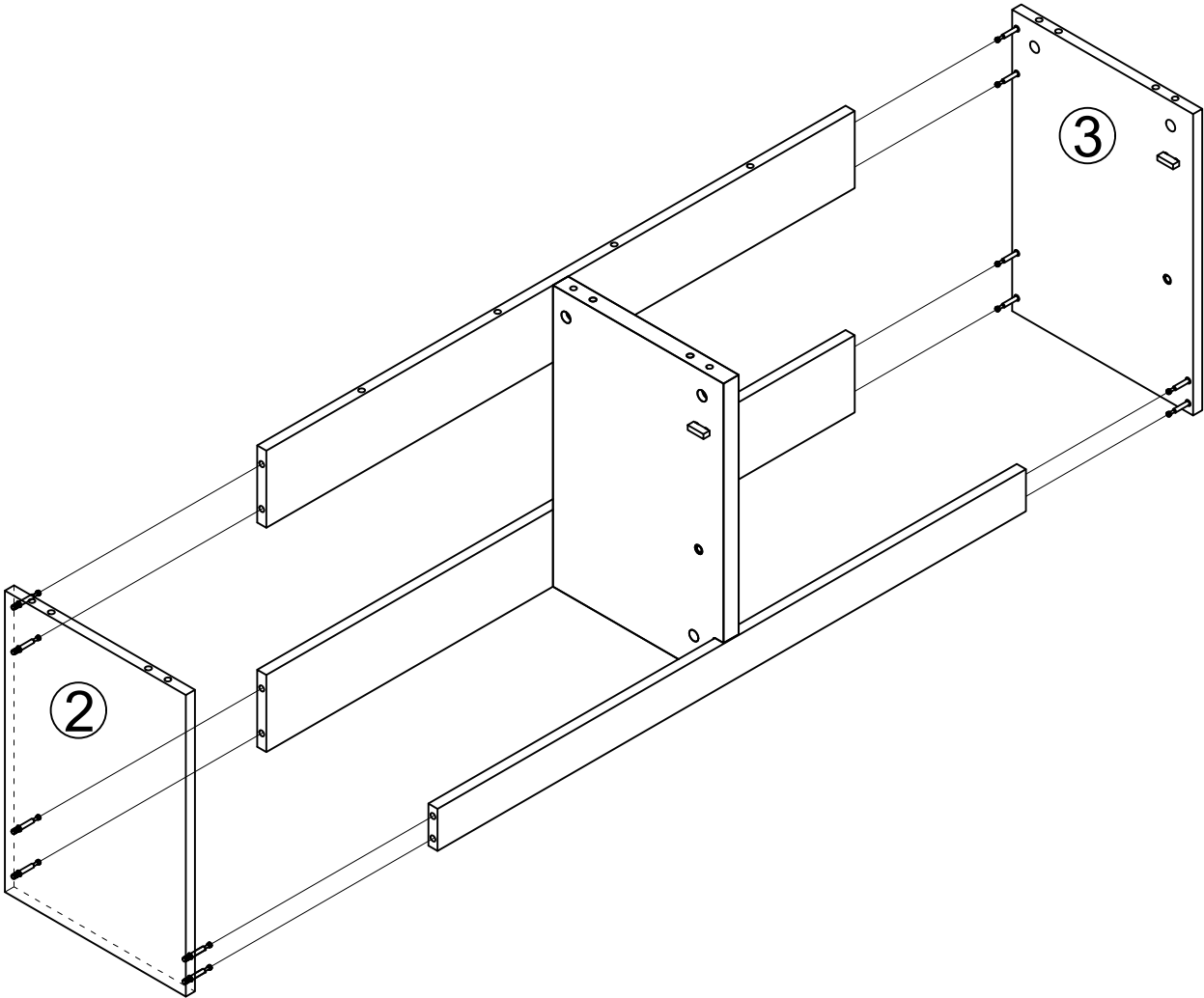
B	X 2
Ø15x9.5mm	

## STEP 3

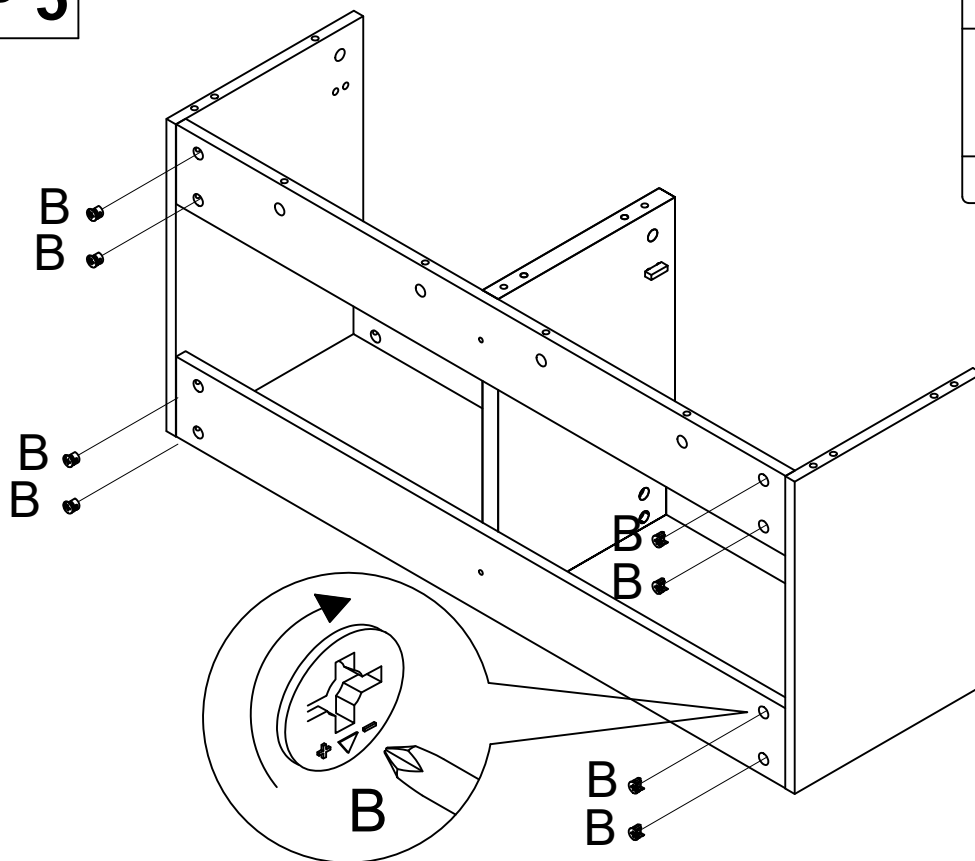



G	X 2
M5x40mm	

**STEP 4**

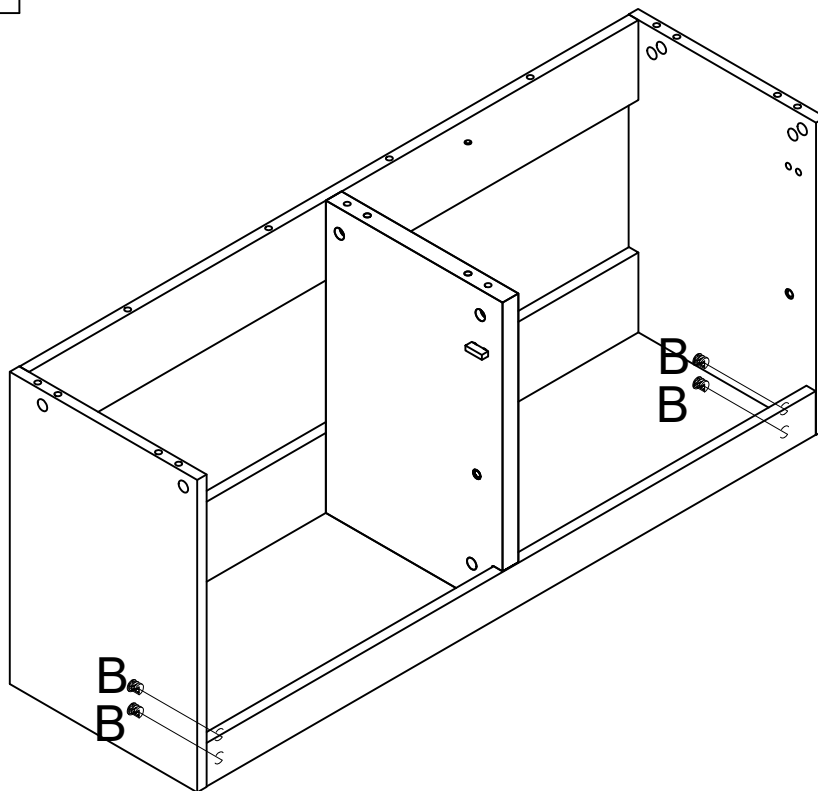



# STEP 5



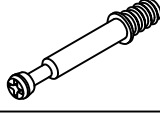
B	X 8
	
Ø15x9.5mm	

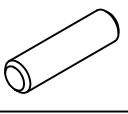
# STEP 6

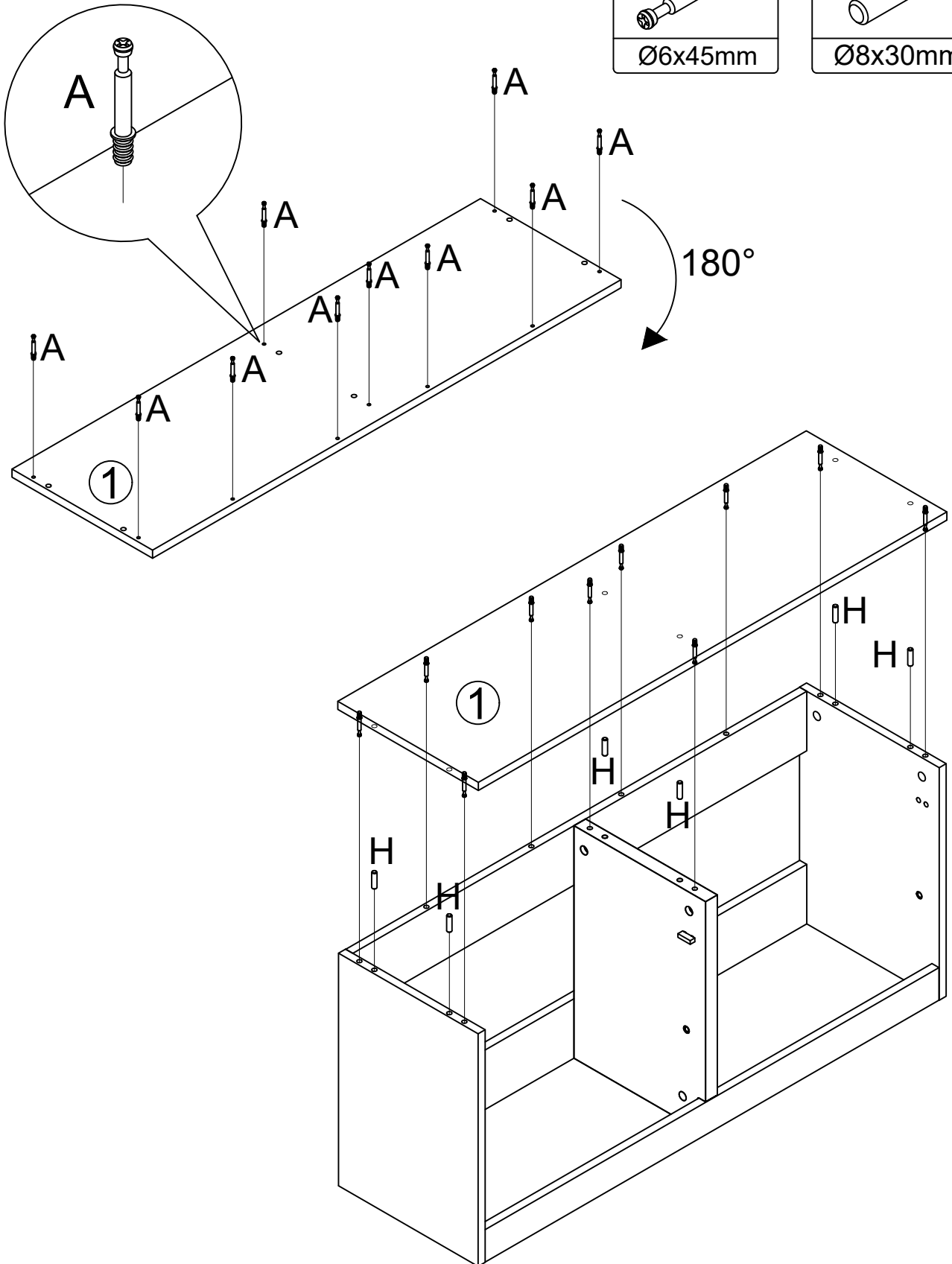


B	X 4
	
Ø15x9.5mm	


# STEP 7

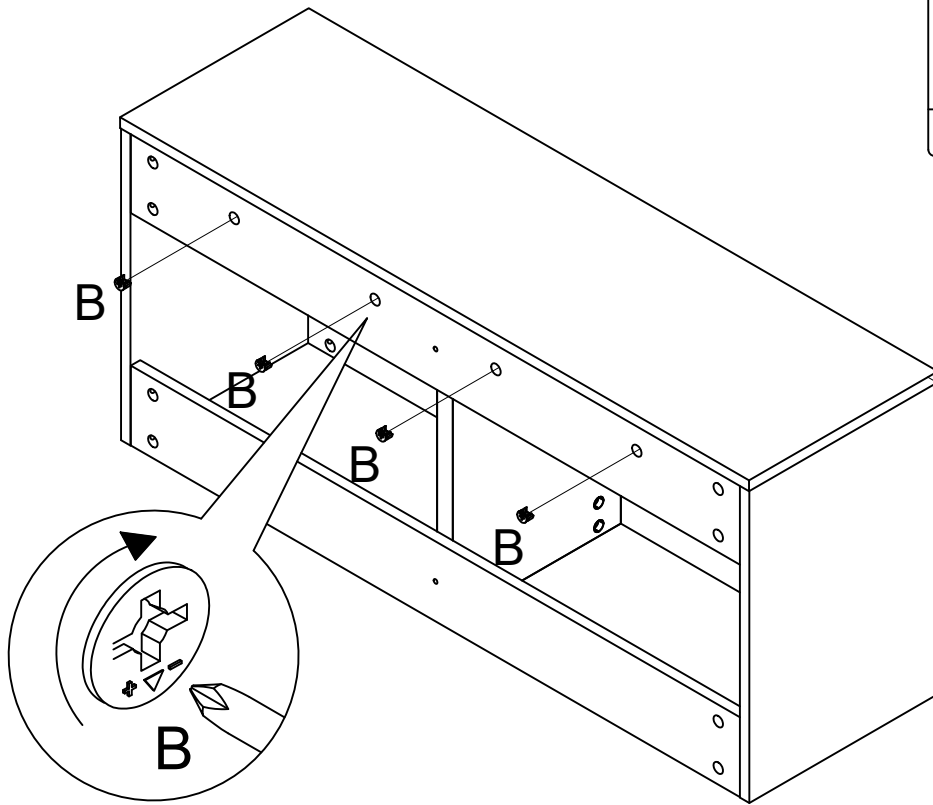
A	X 10
	
Ø6x45mm	

H	X 6
	
Ø8x30mm	




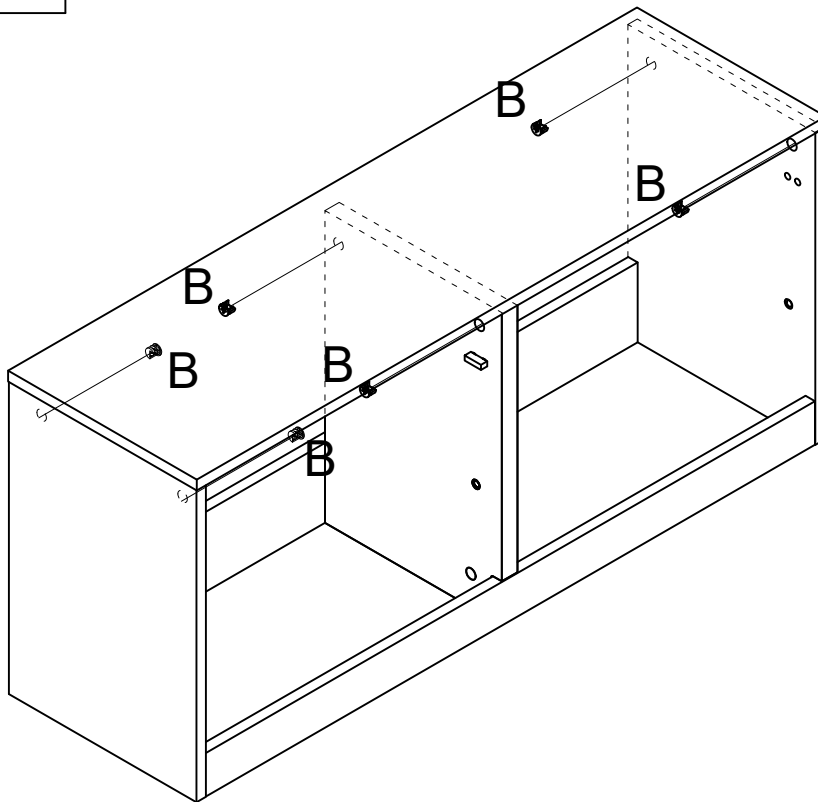
# STEP 8

B	X 4
	
Ø15x9.5mm	





# STEP 9


B	X 6
	
Ø15x9.5mm	

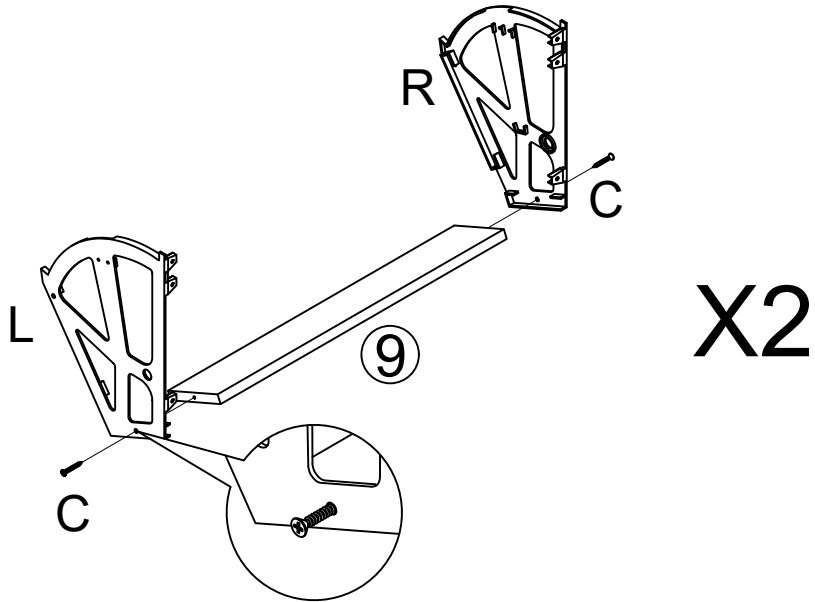


# STEP 10


C	X 4
	
Ø3.5x25mm	

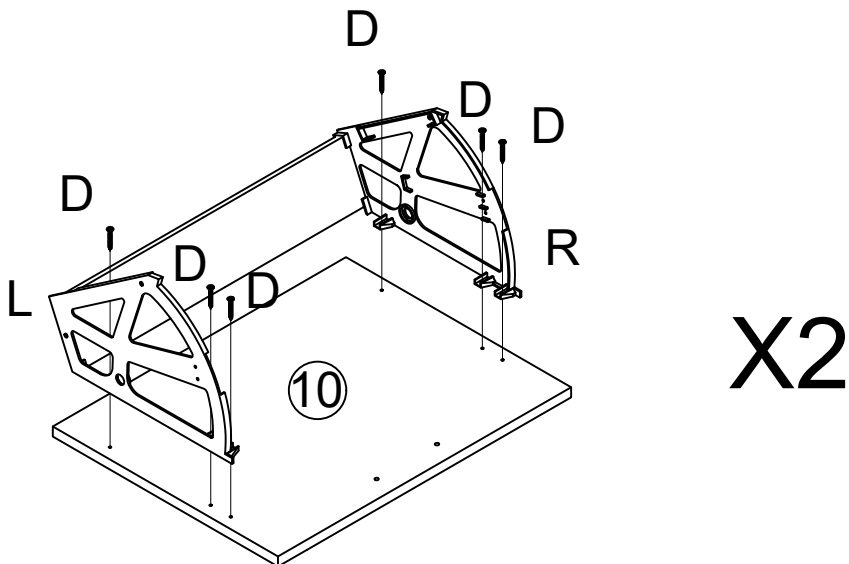
L	X 2
	

R	X 2
	




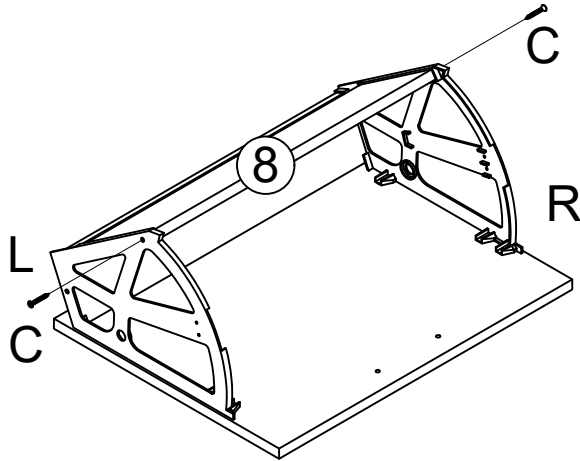
# STEP 11

D	X 12
	
Ø3.5x14mm	




# STEP 12


C	X 4
	
Ø3.5x25mm	

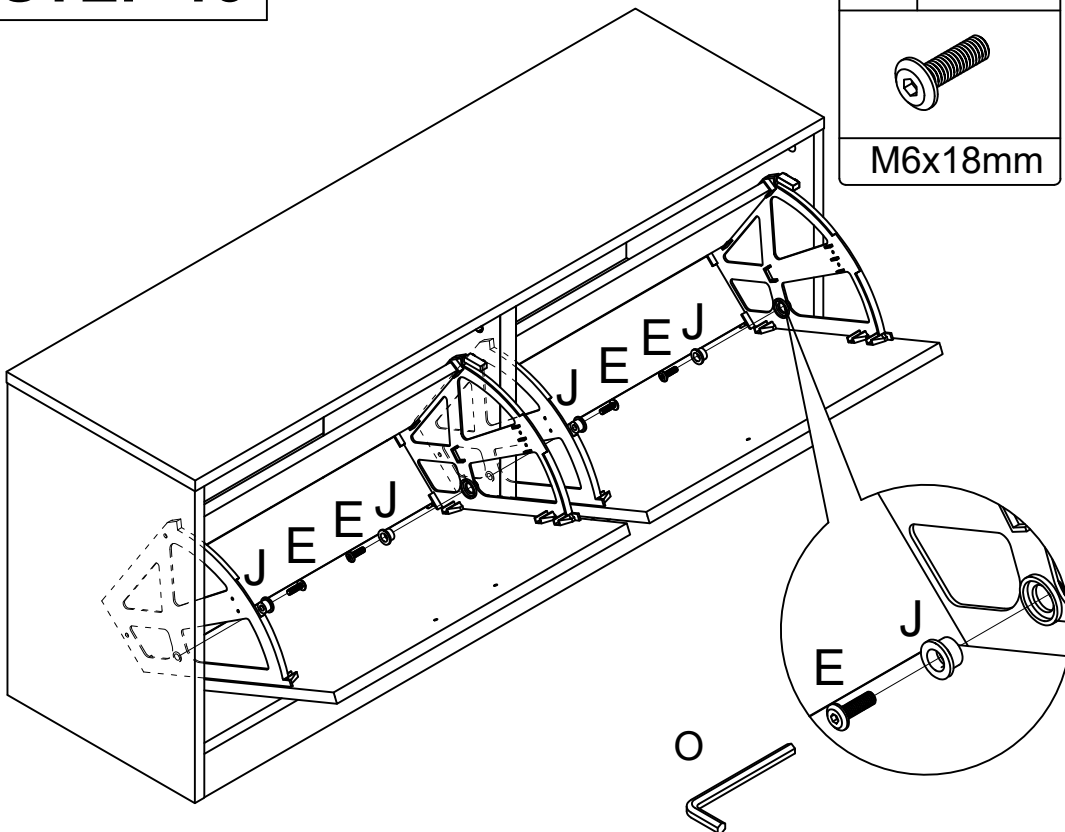


X2


# STEP 13

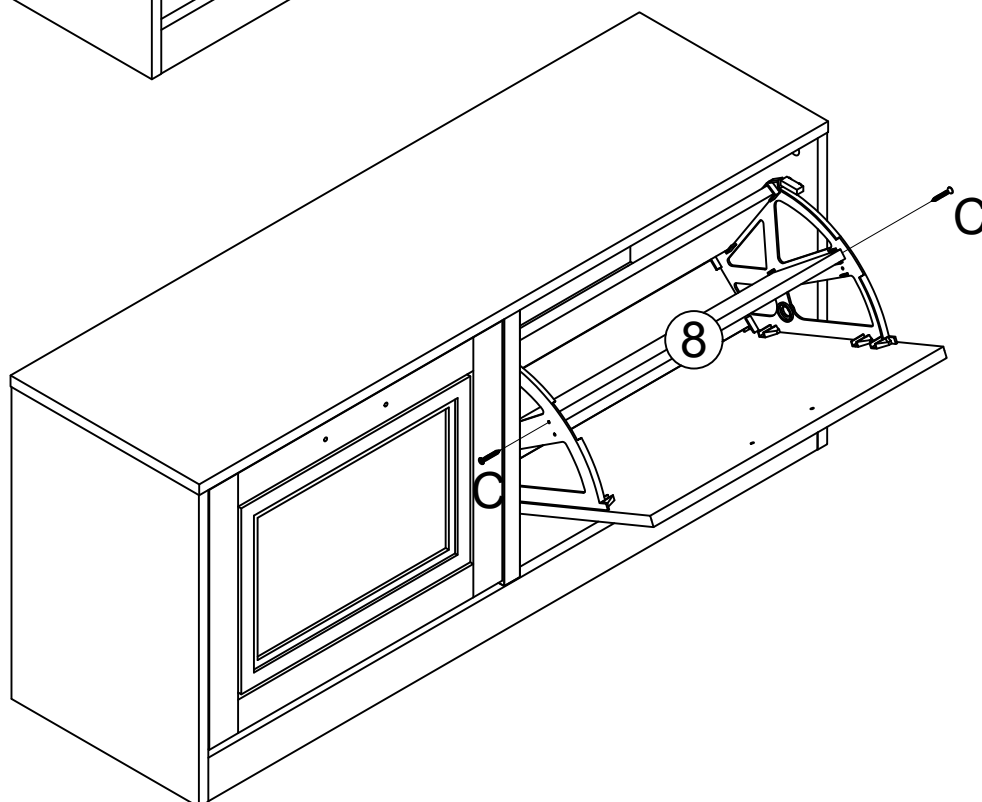
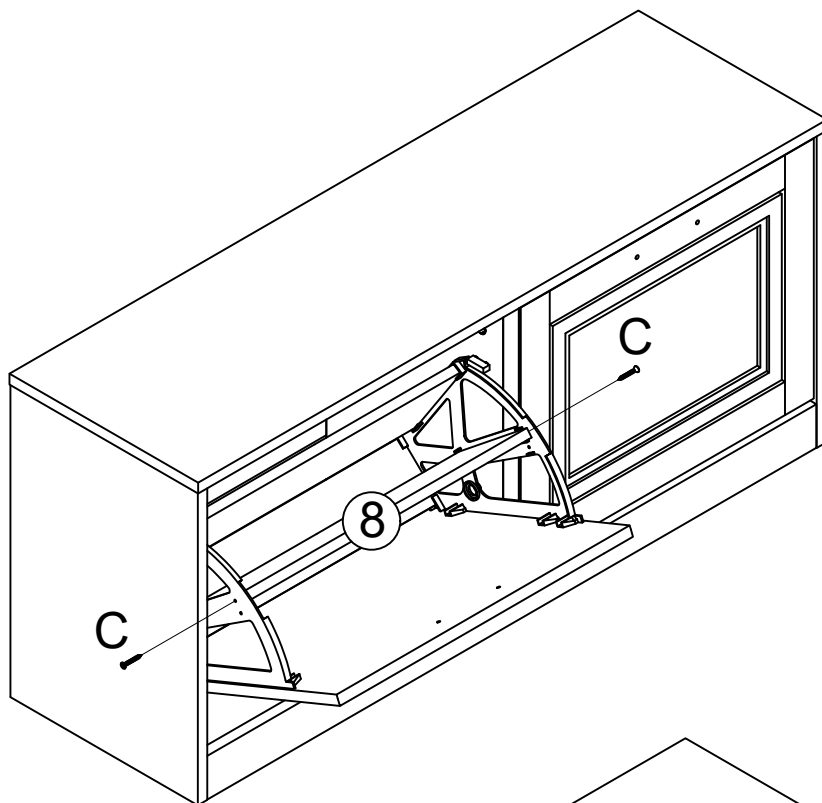
E	X 4
	
M6x18mm	

J	X 4
	




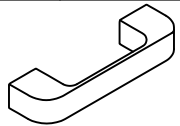
# STEP 14

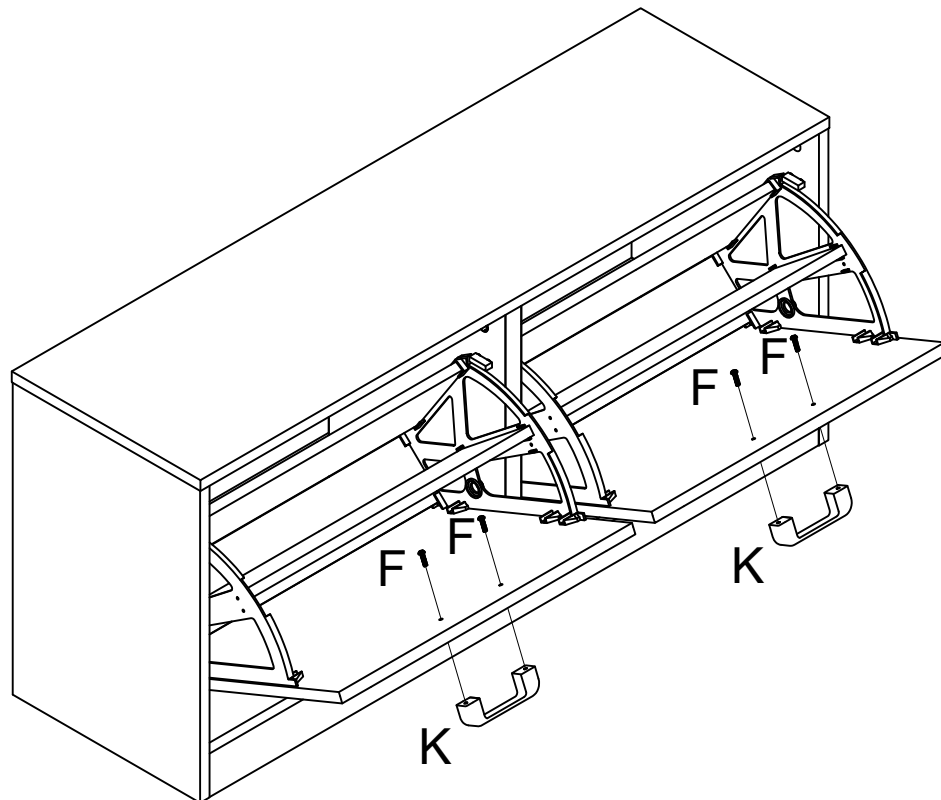
C	X 4
	
Ø3.5x25mm	



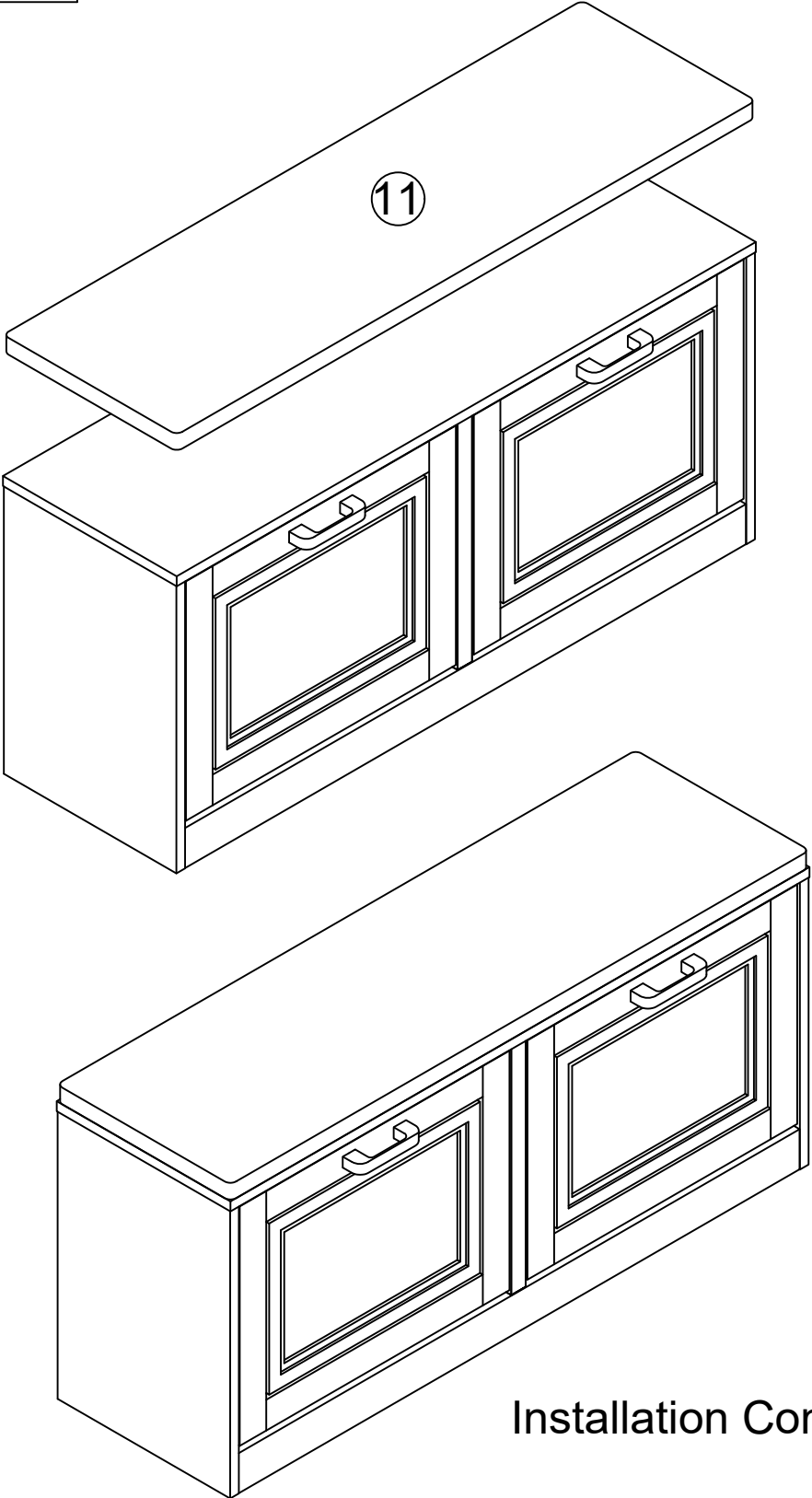
# STEP 15

F	X 4
	
Ø4x18mm	

K	X 2
	



**STEP 16**



Installation Completed