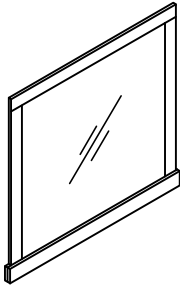
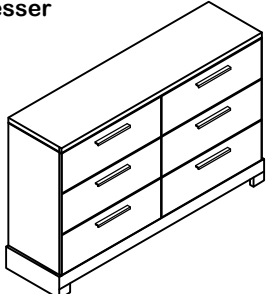
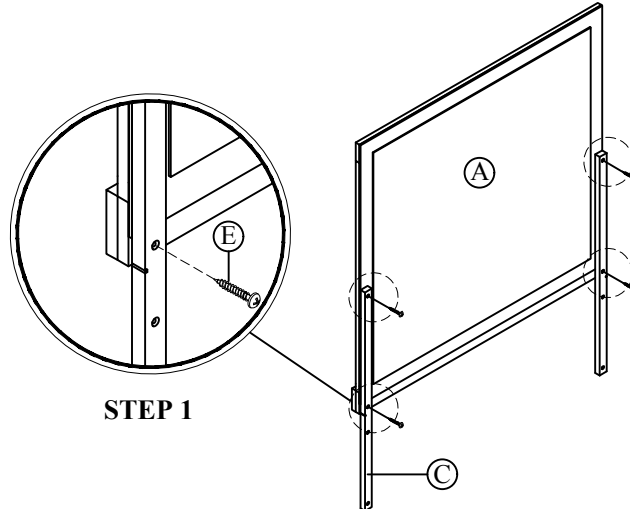
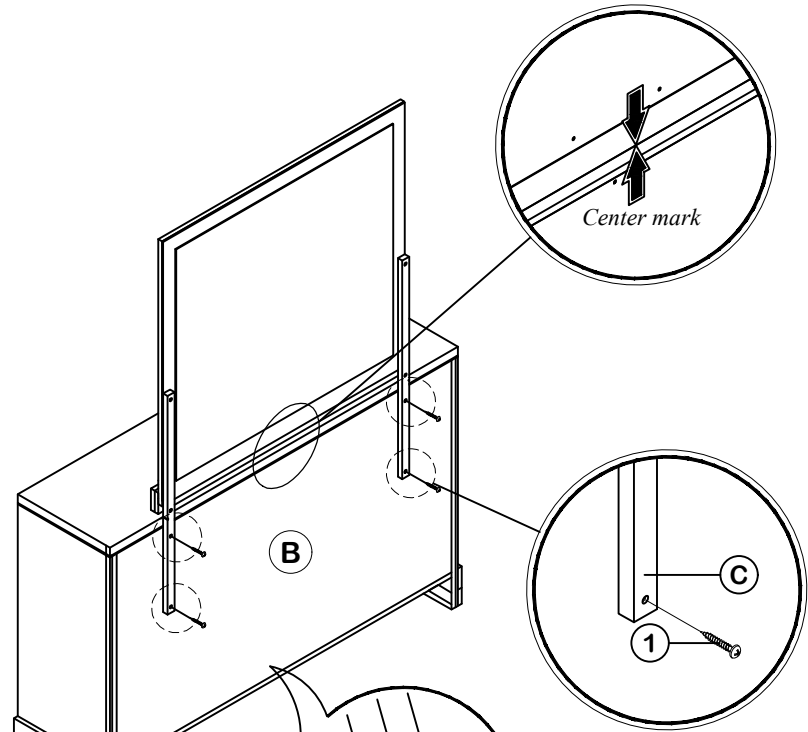
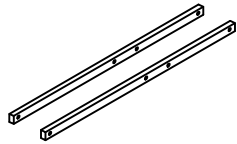
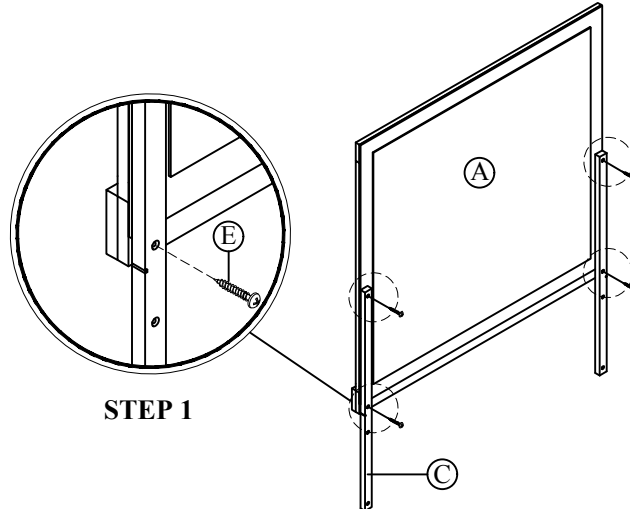
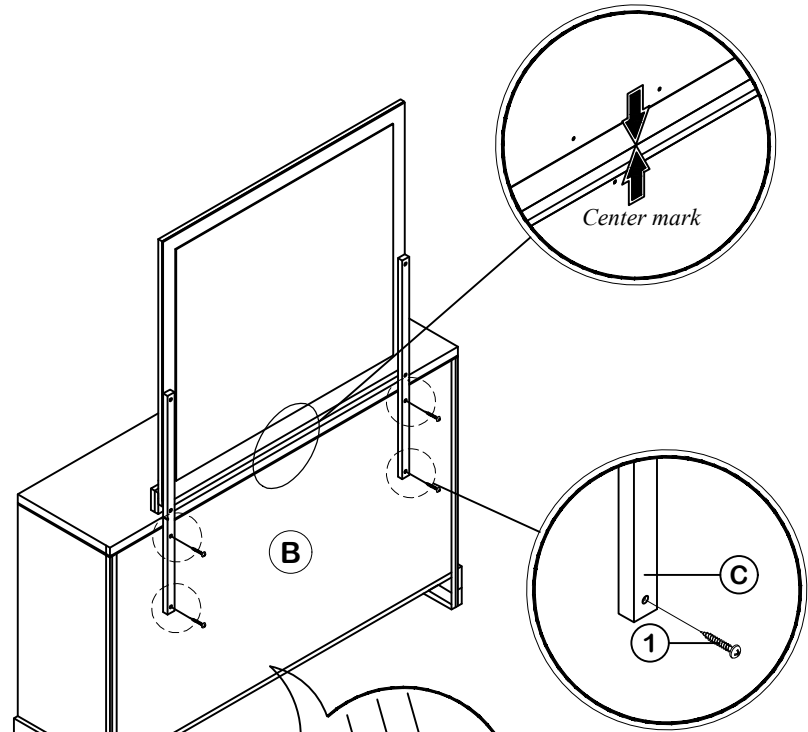
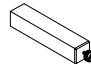
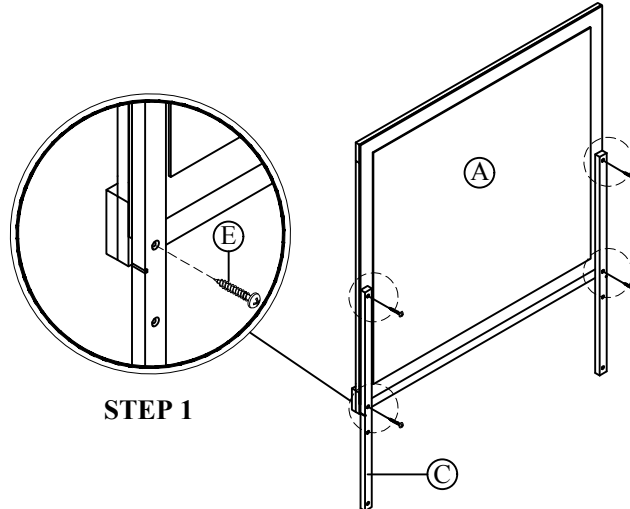
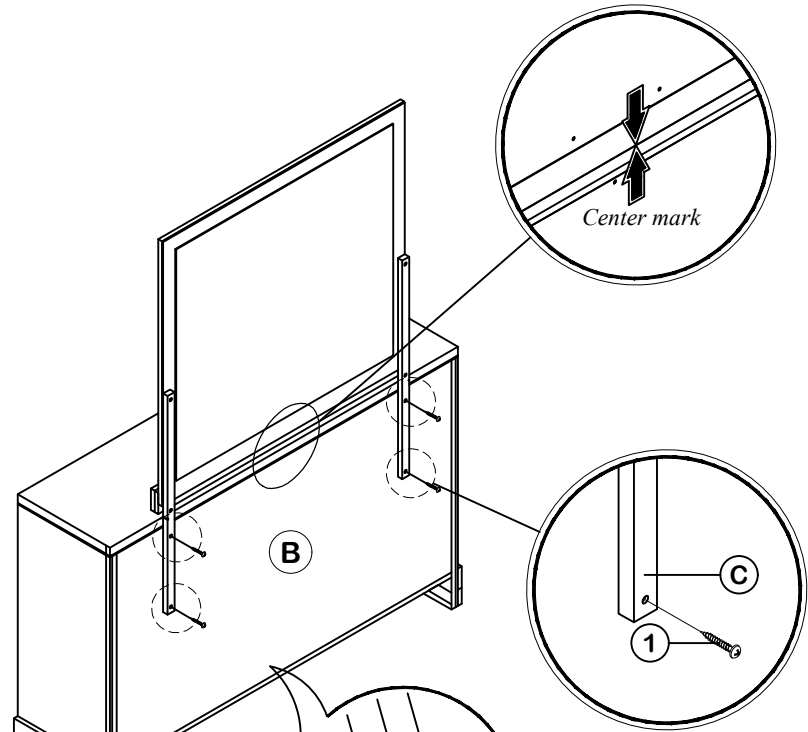

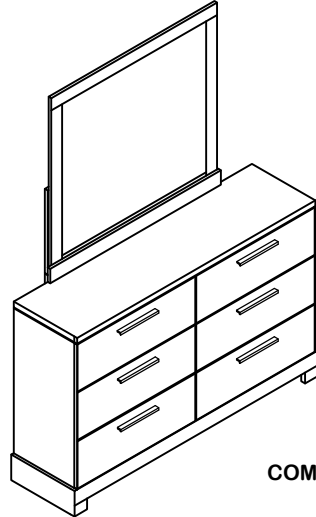
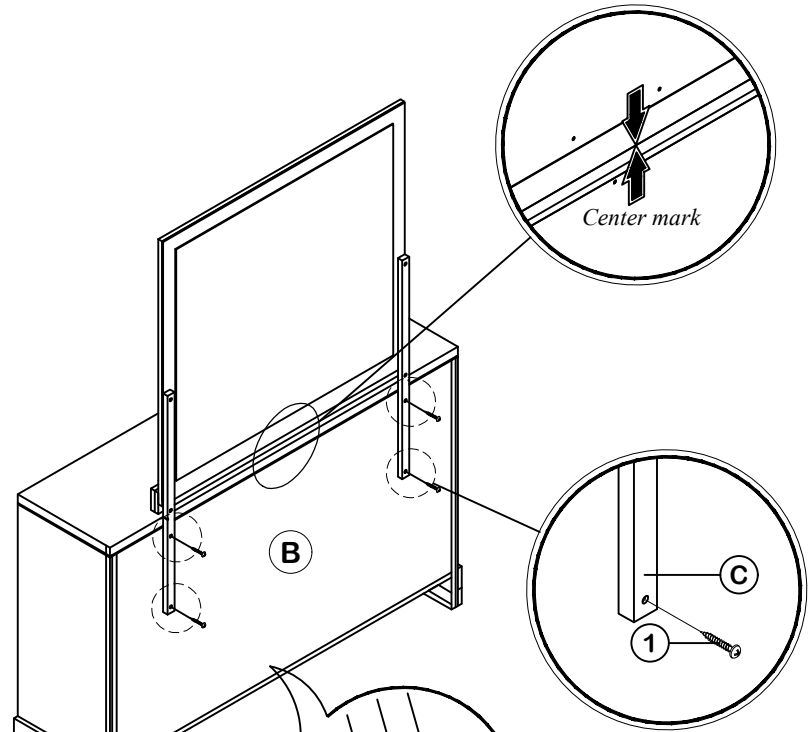


ASSEMBLY INSTRUCTION

Thank you for purchasing the quality product. Be sure to check all packing material carefully for small parts which may have come loose inside the carton during shipment. Separate, identify and count all parts and metal hardware. Compare with all parts list to be sure all parts are present. If any part(s) are missing or damaged, please contact your local furniture dealer. For efficient and speedy service, please indicate the model number and code letter of part(s) needed.

*** Do not fully tighten screws until fully assembled ***

NO	PARTS & HARDWARE	QTY.	STEP 1	STEP 2
A	Mirror 	1PC	Attach mirror support (C) to the mirror back (A) as step 1, then tighten with screw (E). Make sure the marking line on mirror support is at the same level as the bottom of mirror.	STEP 2 Place the mirror with support on the top of dresser (B). Then <u>align center</u> as shown and tighten with PHCB screw (E).
B	Dresser 	1PC		
C	Mirror Support 	2PCS		
D	Dresser Support 	1PC		
E	PHCB Screw M4 x 32mm 	8PCS		

Attention

*** Some number parts listed on the instruction sheet may not be in parts bag as they may already assembled. Carefully check parts and packing materials prior to ordering replacements.