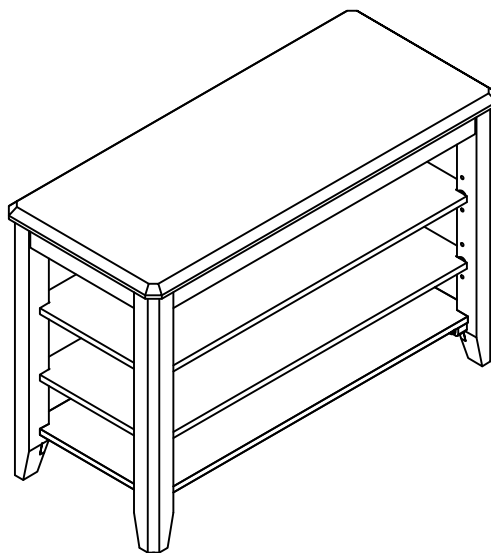


Mounting Instructions




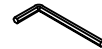

Black
 White
 Walnut
 Natural

Thank you for choosing our product! We're excited to have you as a customer. After unpacking, please take a moment to ensure all parts are present and match the list in the instructions. If you find any missing parts or have any questions, please don't hesitate to reach out to us—we're always here to assist you.






Assembled Product



Hardware List

No.	Description	Pic	Dimension	Qty
A	Hexagon screw		M6*50MM	8
B	Hexagon screw		M6*38MM	4
C	Flat gasket		M6*13MM	12
D	Hexagon wrench		M4*57MM	1
E	L-Shape Laminate Tray		∅6*20*16MM	8

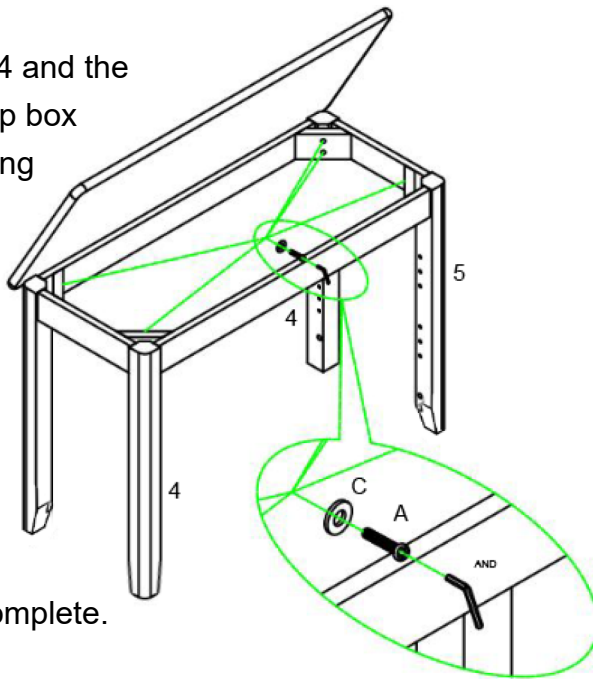
Part List

No.	Description	Pic	Qty
1	Flip Box		1
2	Active Shelf		2
3	Base Plate		1
4	Left foot		2
5	Right foot		2

Shoe Bench 80CM

Step 1:

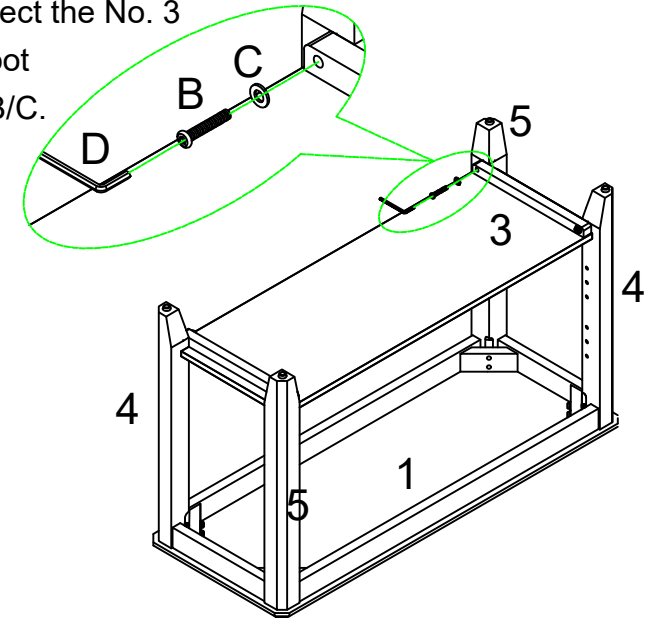
First assemble the left foot No. 4 and the right foot No. 5 with the No.1 flip box according to the picture, ensuring that the holes face the longest side, and fasten them together using hardware A/C/D.



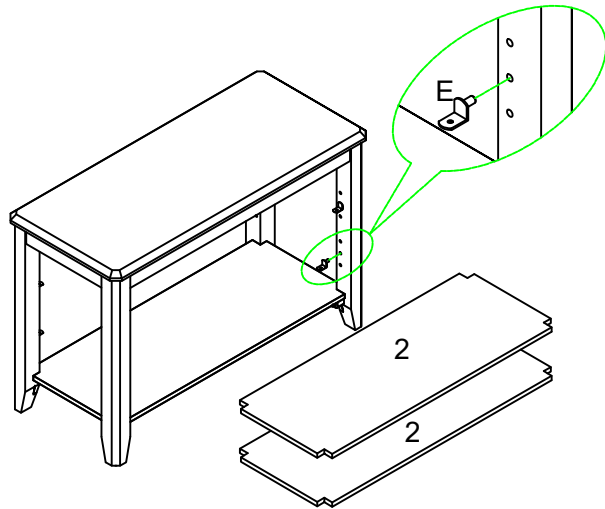
Note: After unpacking, please check whether the product is complete.

Step 2:

As shown in the figure, connect the No. 3 base plate with the No.4/5 foot columns using hardware D/B/C.



Step 3:



Note: Attach hardware E to the foot columns as illustrated, and then place the No. 2 movable laminate in the position indicated.

Step 4:

Completing the Installation!!!

