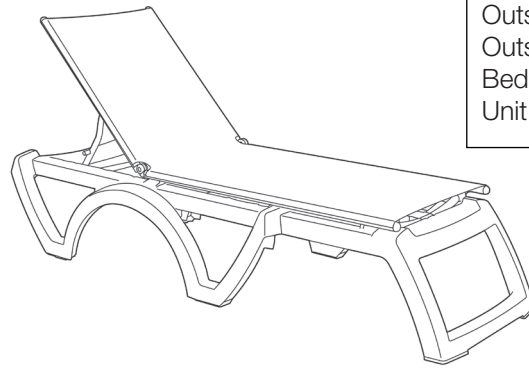




View Product



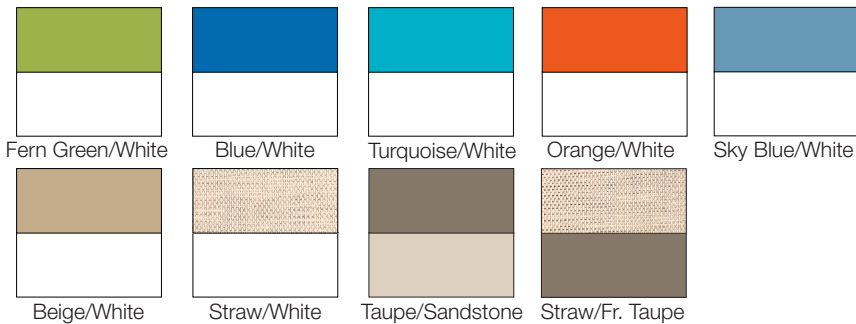
Outside Length: 73.5"  
 Outside Width: 27.5"  
 Bed Height: 15"  
 Unit Weight: 25.6 lbs

# Jamaica Beach Stacking Chaise

16/pack

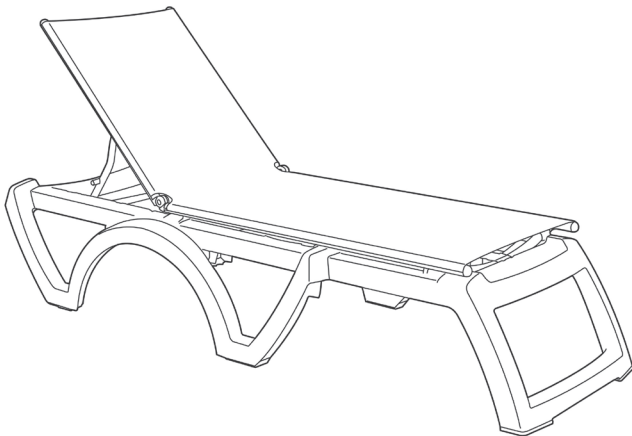
## Product Specifications

Product Description	Reference Number	Color	UPC Code 014306	Pack Weight Each (lbs.)	Master Pack	Master Pack Volume (cu. ft)
Jamaica Beach Stacking Chaise White Frame	UT878152	Fern Green	946368	29.25	16	127.71
	UT876006	Blue	945958	29.25	16	127.71
	UT878241	Turquoise	946382	29.25	16	127.71
	UT878019	Orange	946351	29.25	16	127.71
	UT878194	Sky Blue	946375	29.25	16	127.71
	UT878552	Beige	946399	29.25	16	127.71
	UT116004	Straw	946313	29.25	16	127.71
Sandstone Frame	UT167181	Taupe	946344	29.25	16	127.71
French Taupe Frame	UT116181	Straw	946320	29.25	16	127.71



- Passes ASTM Class B performance standard for commercial use
- Versatile sling chaise with many end-uses on both hard and sandy surfaces and at value pricing.
- 4-position adjustable sling chaise lounge for extra comfort
- Highly durable, mildew, stain and fade resistant PVC coated polyester fabric specifically woven to perform in commercial outdoor environments.
- Microban® anti-microbial treatment. Microban® is a registered trademark of Microban International, Ltd.
- Breathable power washable fabric for ease of maintenance.
- Rated to 300 lbs. for structural strength. Tested to 400 lbs. in compliance with ASTM B performance standard.
- Recessed wheels for ease of transportation. Stacks for easy storage.
- Hard wearing footpads for extra wear resistance.

Spare Parts



Footpads USSP0293 & USSP0294

Front Footpads (1 right, 1 left)



Middle Footpads (2 footpads)



Rear Footpads (1 right, 1 left)



Reference	Description
USSP0293	JAVA/CAPLYSPO CHAISE FOOTPAD SET WHITE
USSP0294	JAVA/CAPLYSPO CHAISE FOOTPAD SET BLACK
USSP0328	REPL SLING HDW KIT JAVA/JB CHAISE