

## CARE AND MAINTENANCE


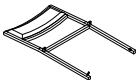
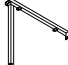


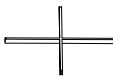



Wipe clean with a soft, dry cloth. Test the cleaning method on a hidden area before using them over the entire area.

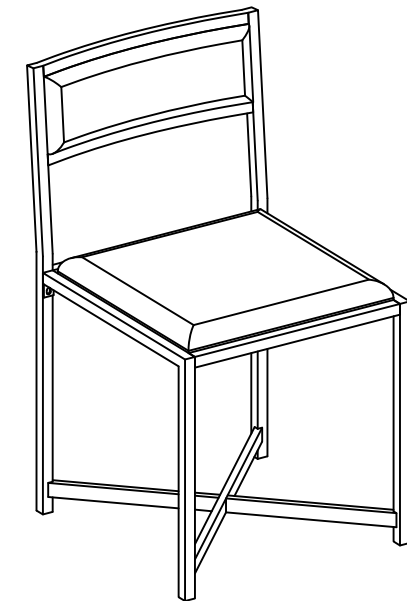
## NOTICE

- \* Please make sure that you have all parts indicated before you begin assembly of this item.
- \* This item should be assembled on a soft surface to prevent scratching the finished product during assembly.
- \* This item may require periodic tightening.
- \* Do not tighten bolts until completely assembled.

Product Dimensions: 18"W\*20-1/2"Dx32-1/4"H

## Part List and Hardware List

PIECE	DESCRIPTION	PICTURE	QUANTITY
A	Seat cushion		1x
B	Chair back		1x
C	Left leg		1x
D	Right leg		1x
E	Front Frame		1x
F	Bottom Crossbar		1x
H1	Allen Bolt	 1/4"x 5/8"	10x
H2	Wood Screw	 $\phi$ 8x 5/8"	8x
H3	Allen Key	 M4	1x



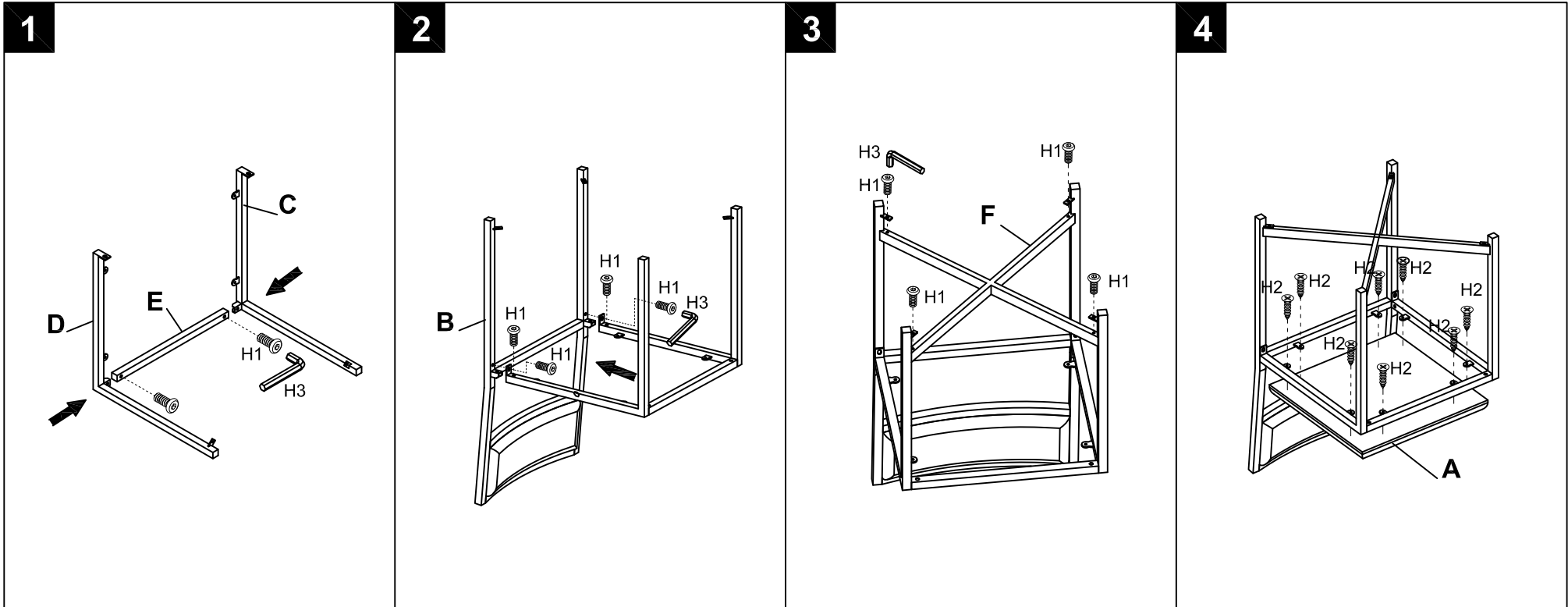
Weight capacity: 275lbs  
WARNING: DO NOT STAND ON CHAIR

## PREPARATION

Before beginning assembly of product, make sure all parts are present. Compare parts with package contents list and hardware contents list. If any part is missing or damaged, do not attempt to assemble the product.

Estimated Assembly Time: 20 minutes.

Tools Required for Assembly (included): Allen Key



### Step 1

Attach front frame (E) to the Left leg (C) & Right leg(D), Use Allen key (H3) to lock through holes on front frame with 2\*Allen Bolts (H1).

### Step 2

Attach the assembled frame to the chair back (B), using Allen key (H3) to lock the chair back by 4\*Allen Bolts (H1).

### Step 3

Attach the bottom crossbar (F) to the lower legs, Locking 4\*Allen Bolts (H1) by using Allen key (H3).

### Step 4

Place the seat cushion (A) on assembled seat frame and lock by using 8\*wood screws (H2), as picture. Assembly is completed.