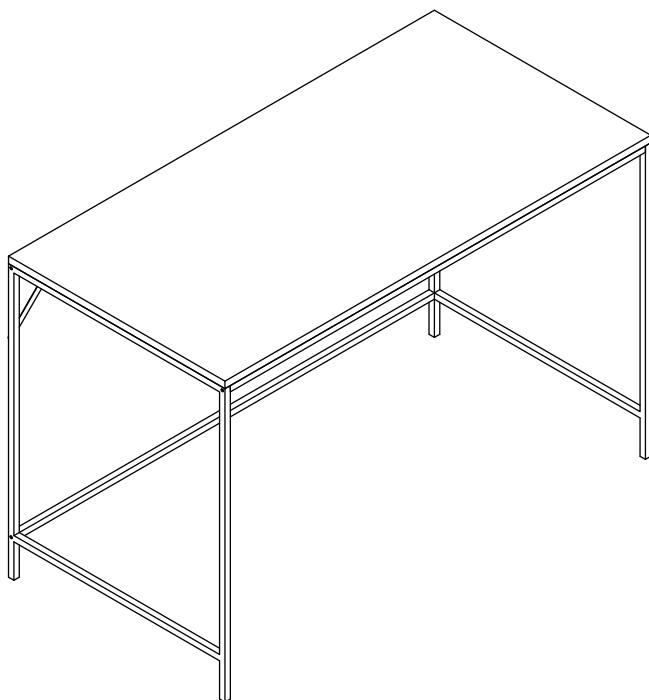


Instruction Manual

Desk



CONTENTS

Safety and care advice	1
Components	2
Assembly instructions	4
Copyright	7

⚠ SAFETY AND CARE ADVICE ⚠

PLEASE READ THESE INSTRUCTIONS CAREFULLY AND KEEP FOR FUTURE REFERENCE

- **Warning:** Please lift with care.
- Check you have all the components and tools listed on pages 2 and 3.
- Remove all fittings from the plastic bags and separate them into their groups.
- Keep children and animals away from the work area, small parts could choke if swallowed.
- Make sure you have enough space to lay out the parts before starting.
- Do not stand or put weight on the product, this could cause damage.
- Assemble the item as close to its final position (in the same room) as possible.

- Assemble on a soft level surface to avoid damaging the unit or your floor (use opened out unit carton).



- We do not recommend the use of power drill/drivers **for inserting screws**, as this could damage the unit. Only use hand screwdrivers.
- Dispose of all packaging carefully and responsibly.

CARE AND MAINTENANCE

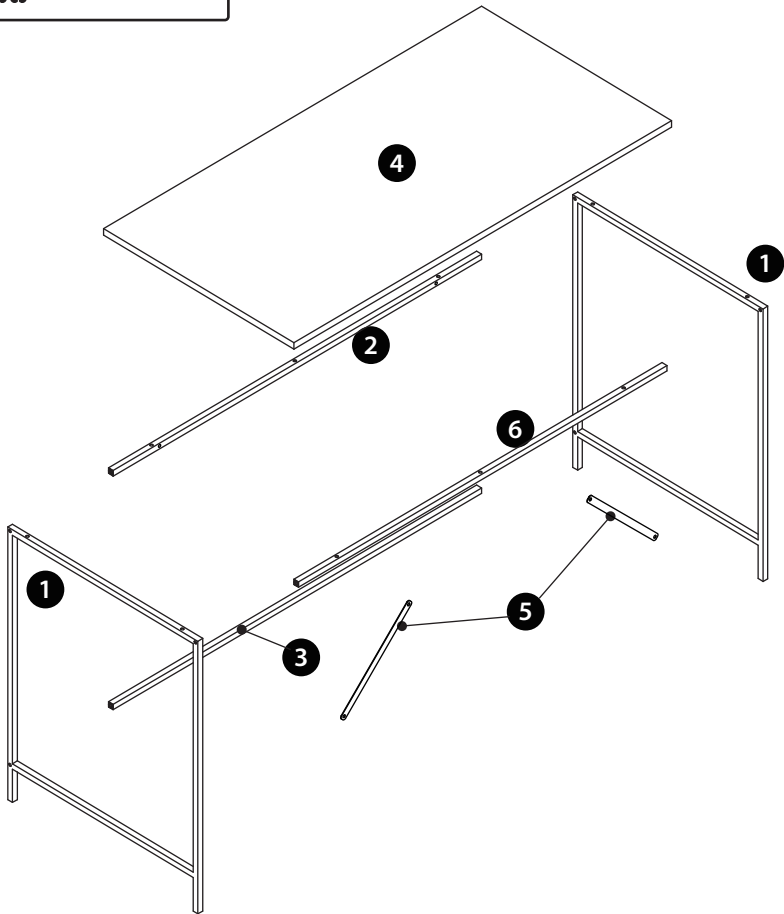
- Only clean using a damp cloth and mild detergent, do not use bleach.
- From time to time check that there are no loose screws on this unit.

- This product should not be discarded with household waste. Take to your local authority waste disposal center.

Note *If required the next page can be cut out and used as reference throughout the assembly. Keep this page with these instructions for future reference.*

COMPONENTS

Please check you have all the panels listed below:



1 Side frame	x2	4 Top panel	x1
2 Top support bar	x1	5 Corner supports	x2
3 Bottom support bar	x1	6 Top support bar	x1



COMPONENTS

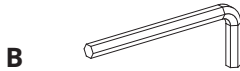
Please check you have all the fittings listed below:



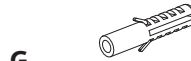
Screw ($\phi 6 \times 30$) x 16



Screw ($\phi 3 \times 12$) x 1



Allen wrench x 1



Wall plug ($\phi 6 \times 30$) x 1



Screw ($\phi 6 \times 10$) x 4



Screw ($\phi 4 \times 35$) x 1



Nylon rope x 1

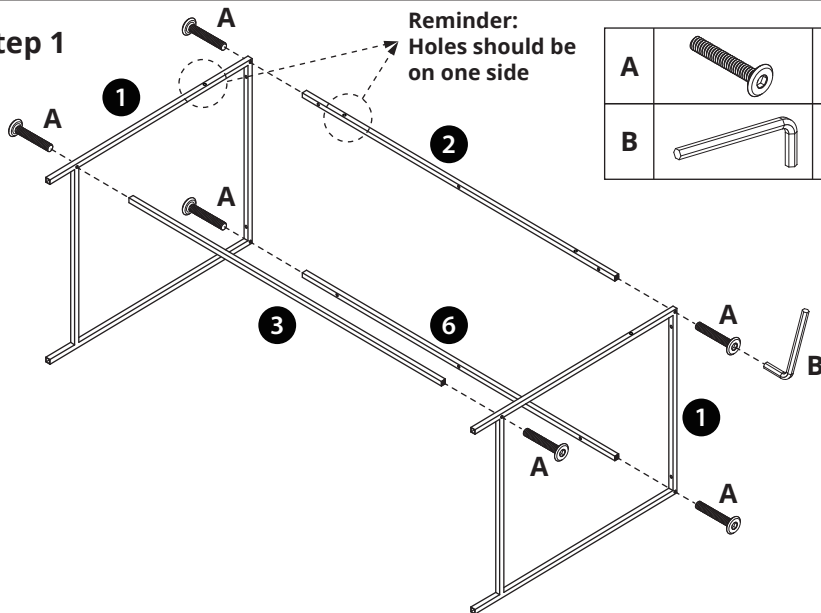


Gasket ($\phi 12 / \phi 4$) x 2

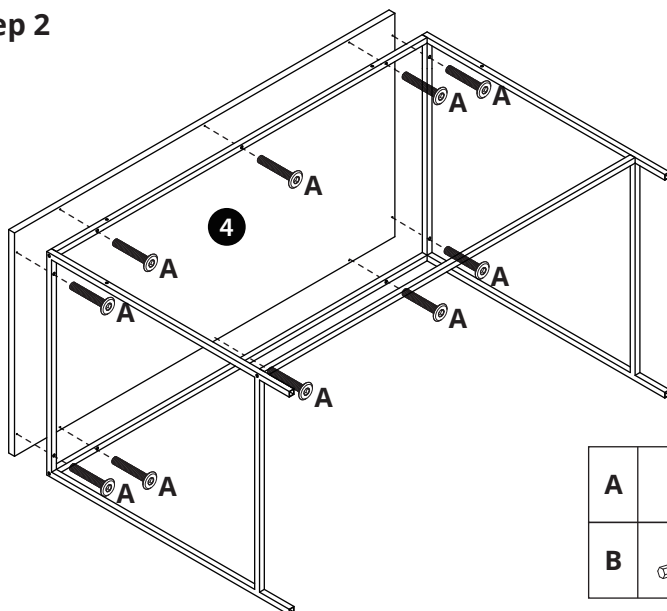


ASSEMBLY INSTRUCTIONS

Step 1

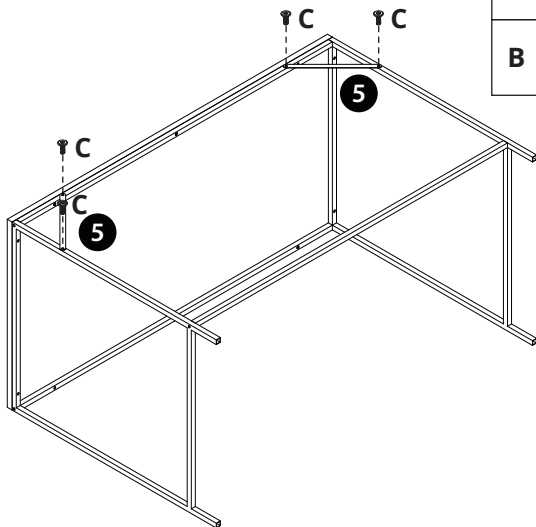




Step 2



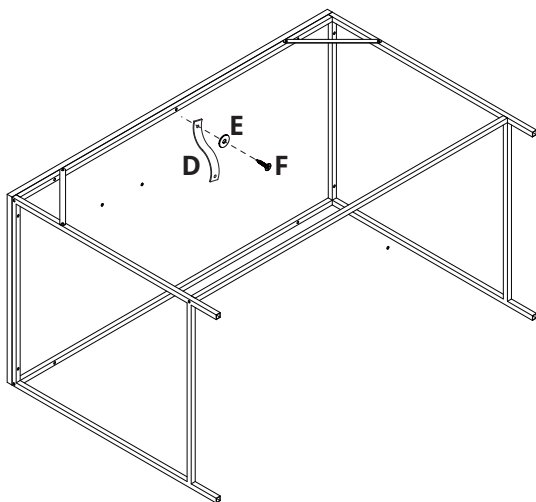
ASSEMBLY INSTRUCTIONS




Step 3



C		4
B		1

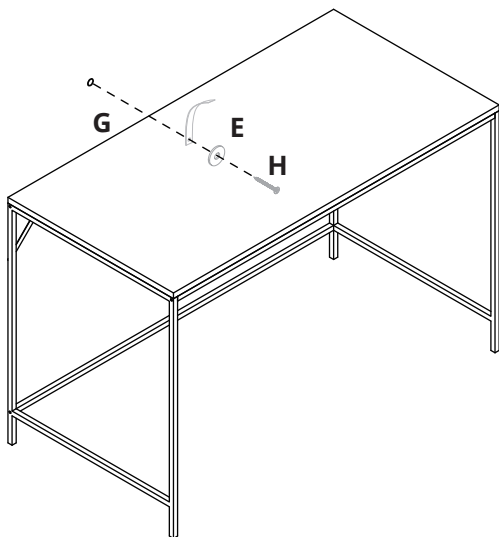
Step 4



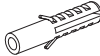


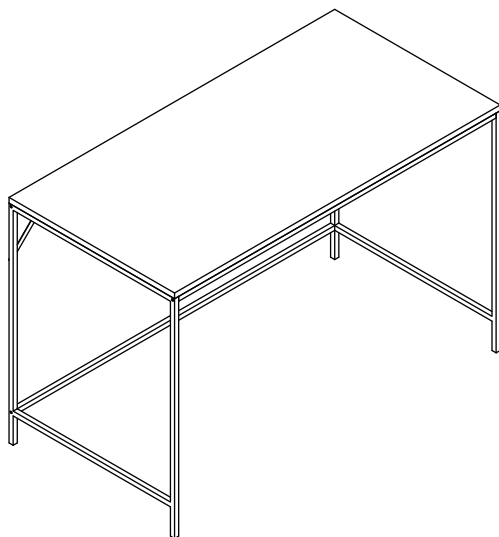
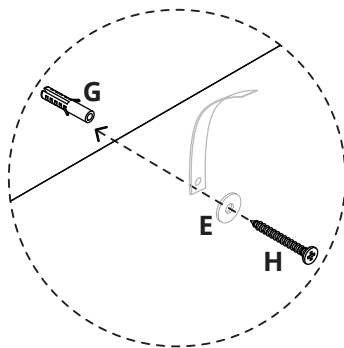
D		1
E		1
F		1

ASSEMBLY INSTRUCTIONS

Step 5



E		1
H		1
G		1



Congratulations! Now you have finished assembling the product.