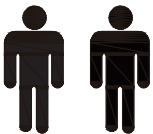
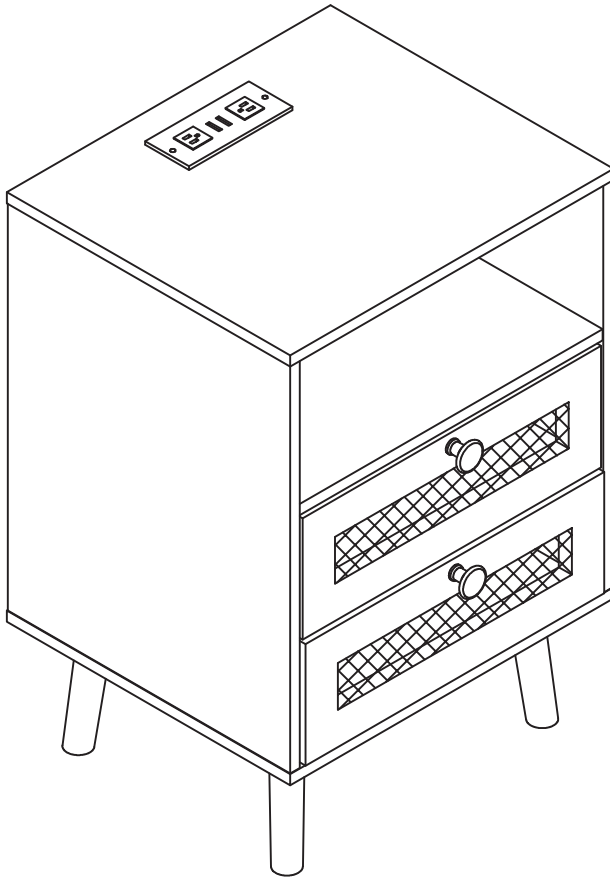


Installation & Assembly



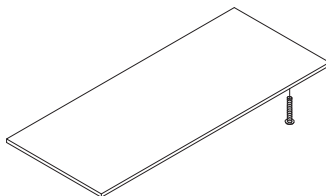
2 PERS.

Version:1.0

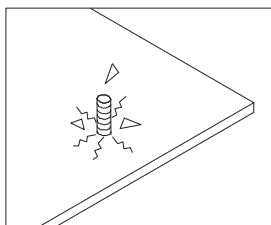
1. Matters needing attention

! WARNING	
	<p>Children have died from furniture tipover. To reduce the risk of furniture tipover:</p> <ul style="list-style-type: none">-ALWAYS install Anti-tip device provided.-NEVER put a TV on this product.-NEVER allow children to stand, climb or hang on drawers, doors, or shelves.-NEVER open more than one drawer at a time.-Place heaviest items in the lowest drawers. <p><i>This is a permanent label. Do not remove!</i></p>
	

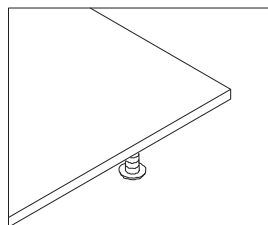
2. Matters needing attention



Be sure to use the proper screws to avoid damaging the parts



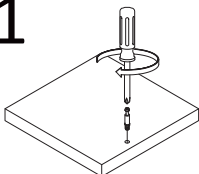
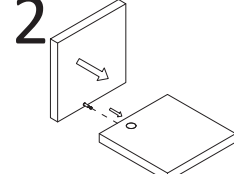
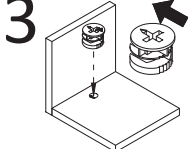
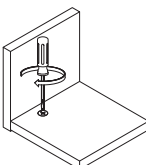
Wrong screws can cause the plank to crack



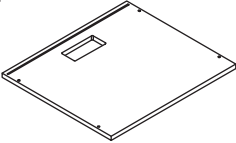
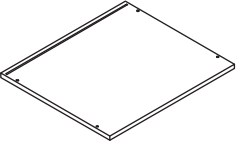
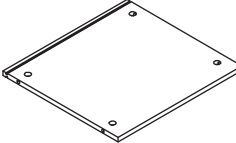
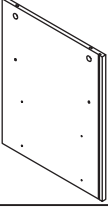
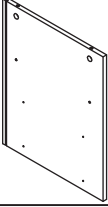
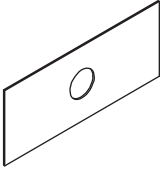
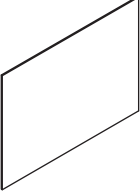
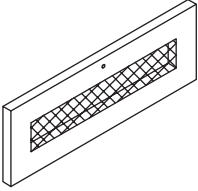
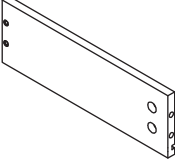
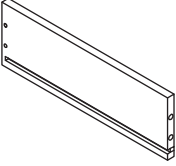
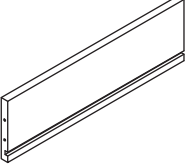
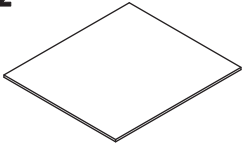

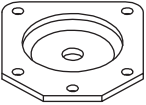

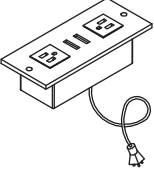
The right screw is the right size

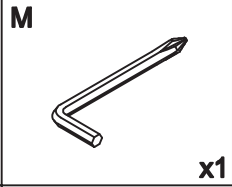
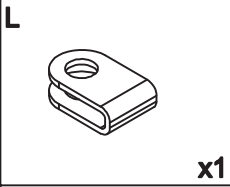
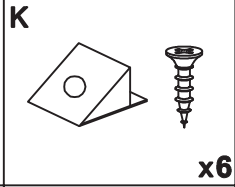
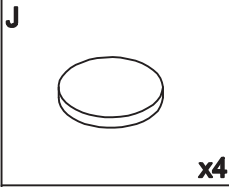
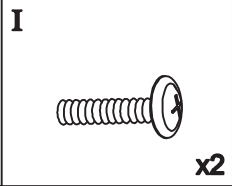
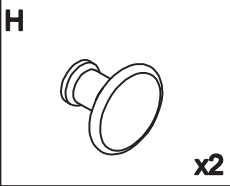
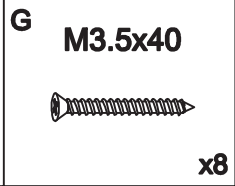
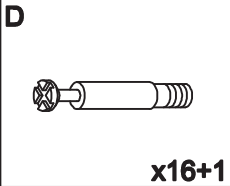
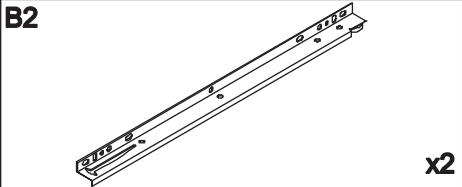
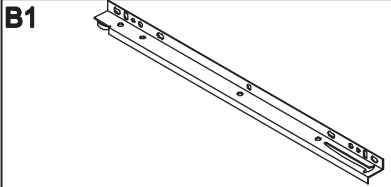
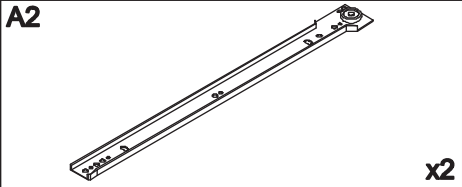
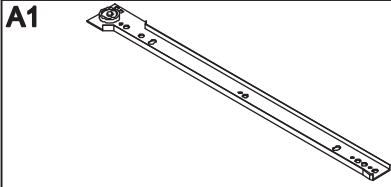
Cam Lock Fastening System

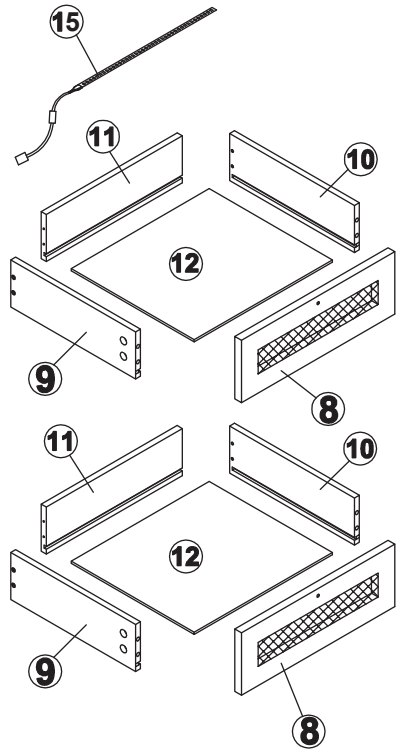
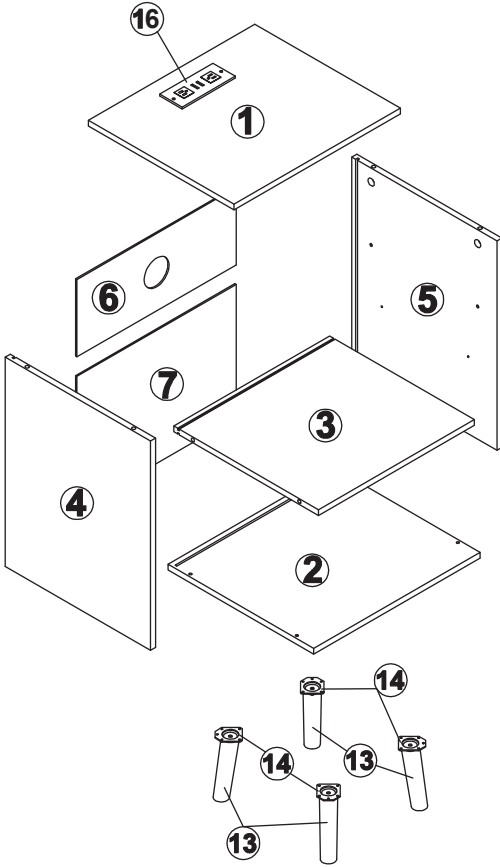
Insert the cam bolt into the hole first, then insert the cam lock and lock it.

1 	2 	3  <p>The opening must point toward the edge of the board</p>	4 
--	---	--	--

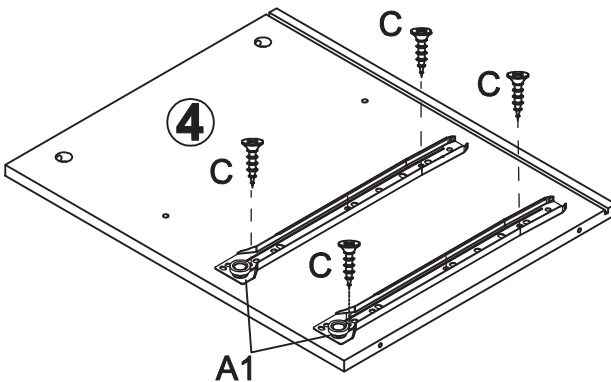
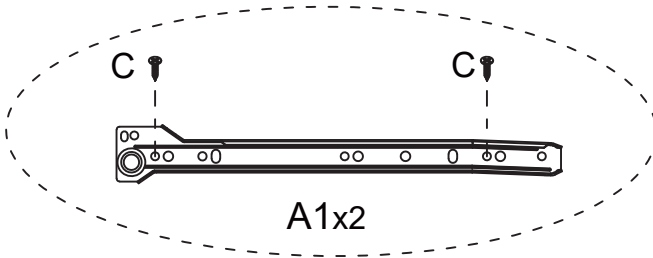
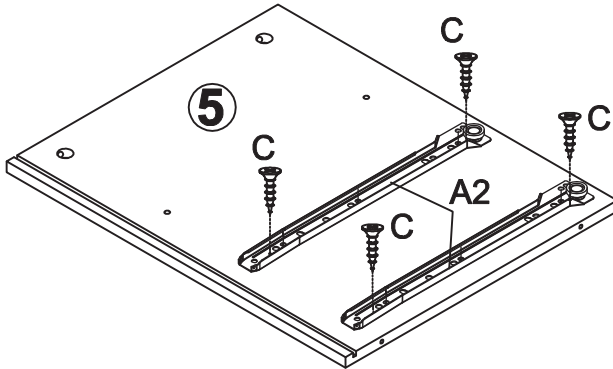
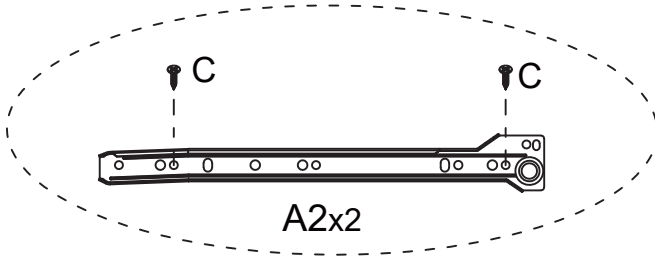
Parts List

1  x1	2  x1	3  x1
4  x1	5  x1	6  x1
7  x1	8  x2	9  x2
10  x2	11  x2	12  x2
13  x4	14  x4	15  x1
16  x1		





1

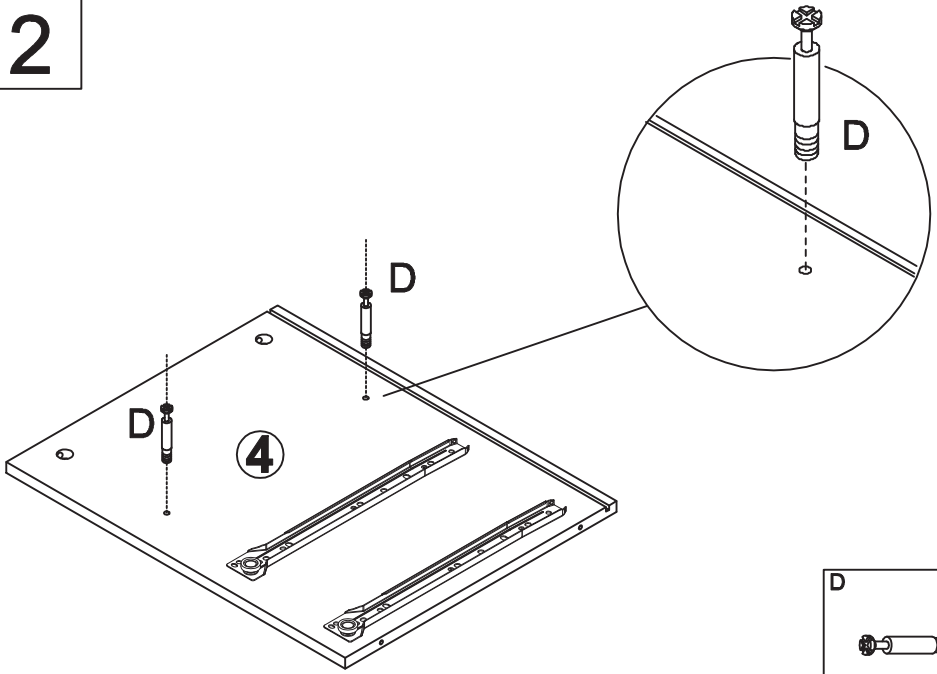


C M3.5x12

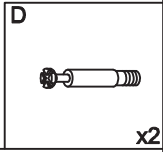


x8

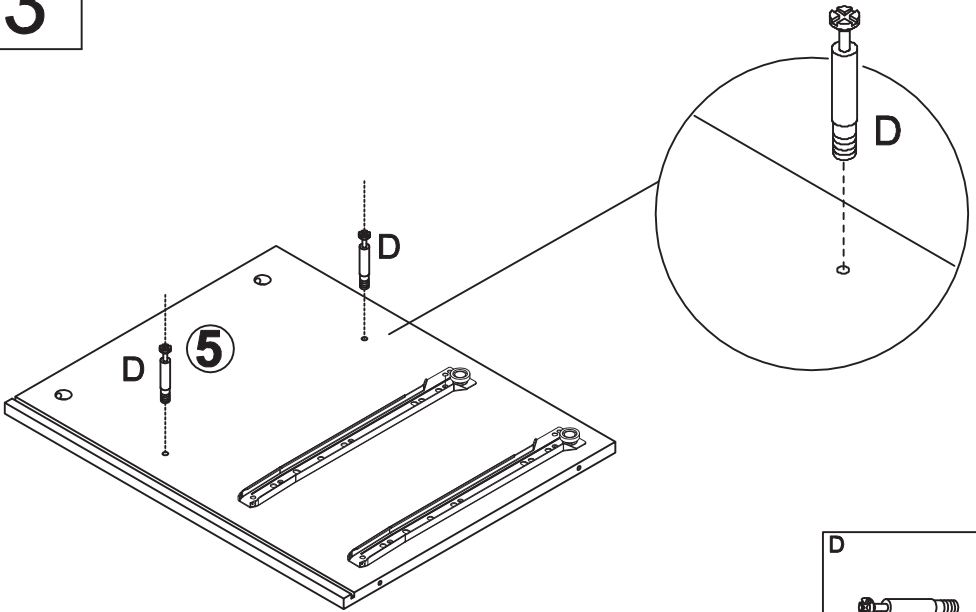
2



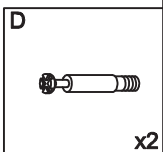
4



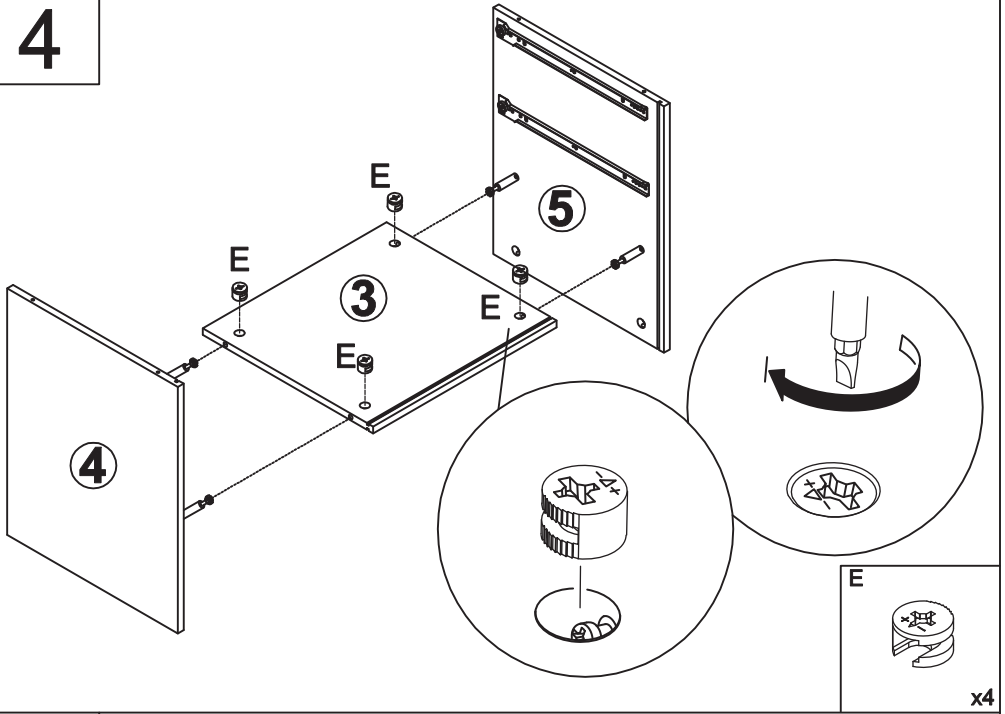
3



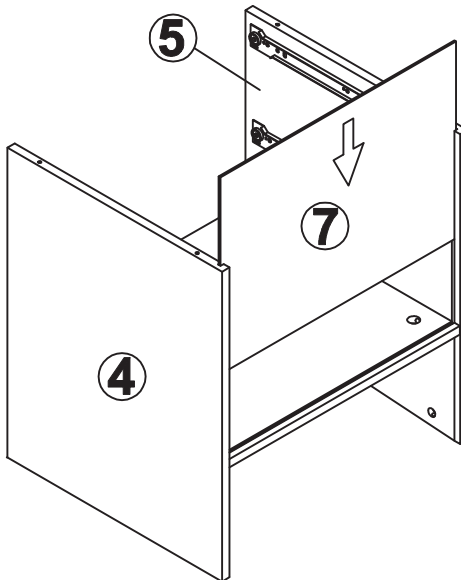
5



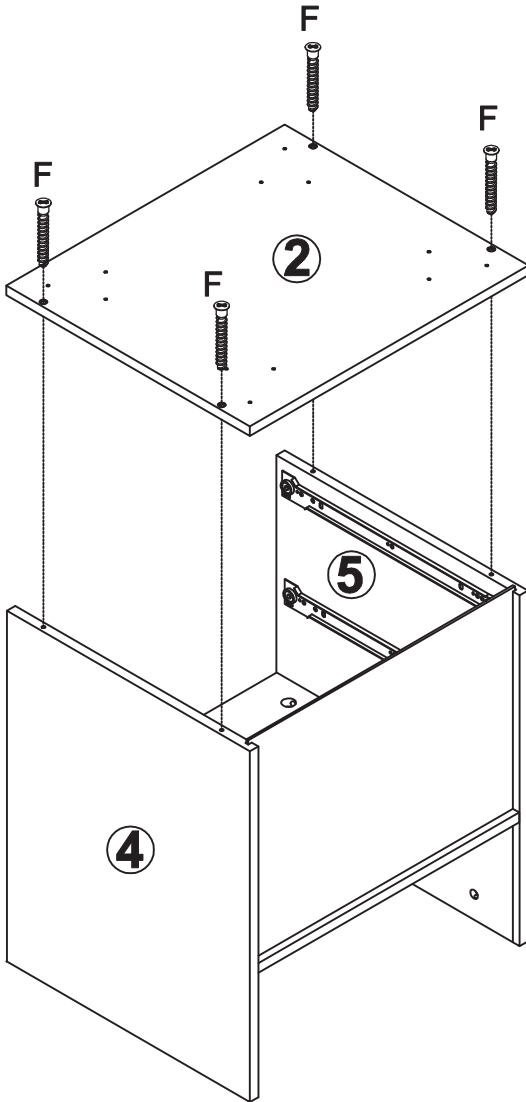
4



5



6

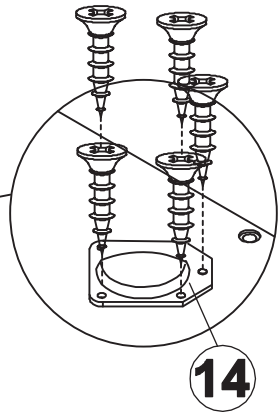
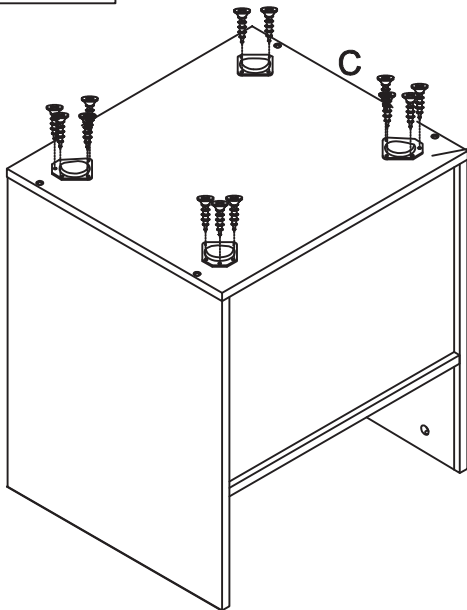


F M5x40



x4

6 - 1

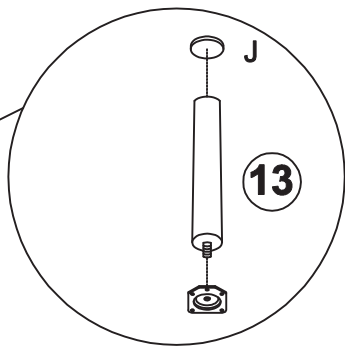
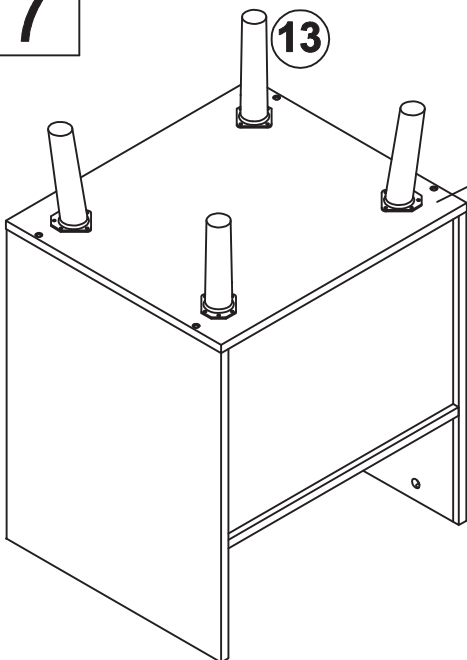


C M3.5x12



x20

7

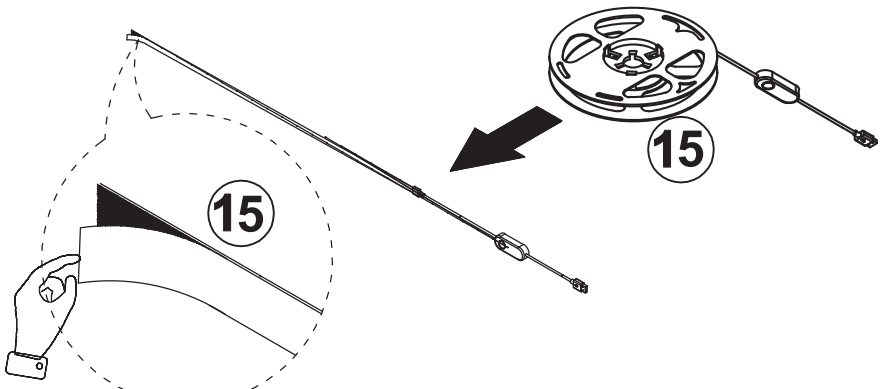


J

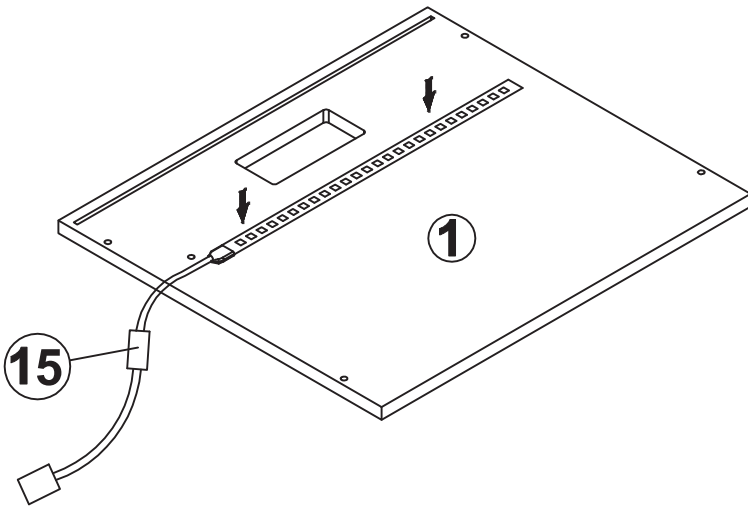


x4

8



Tear off the back
glue of the light strip

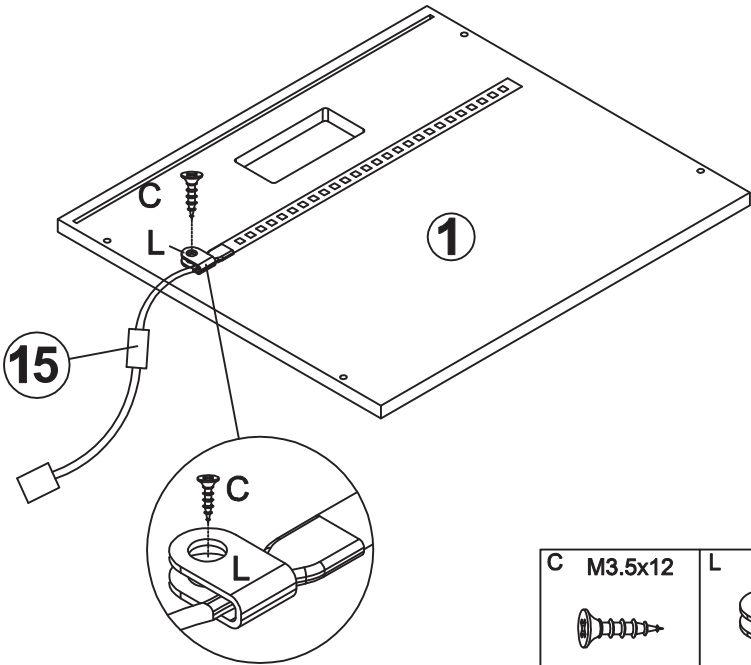


16

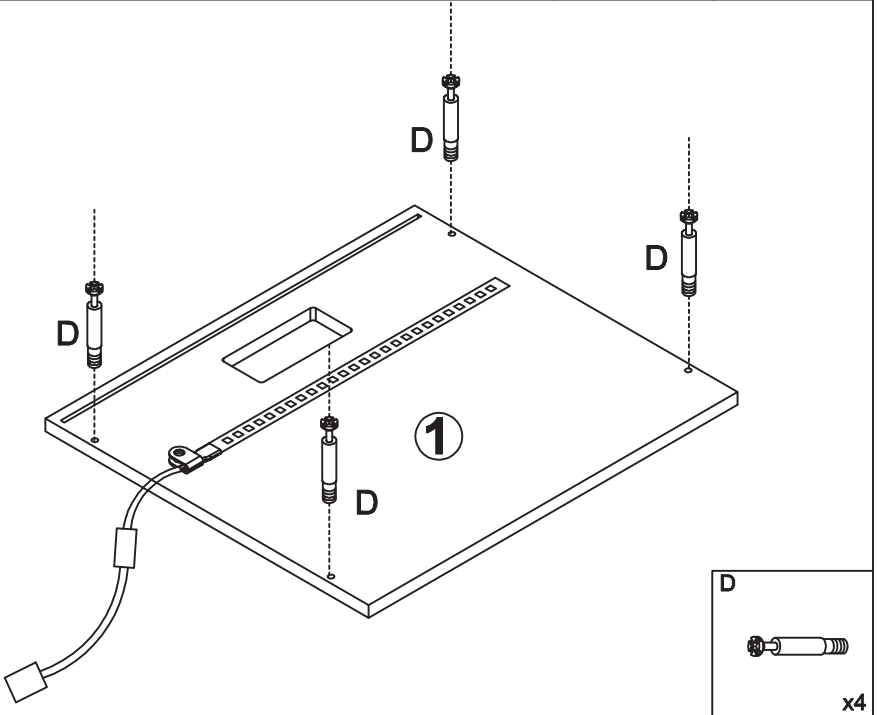


x1

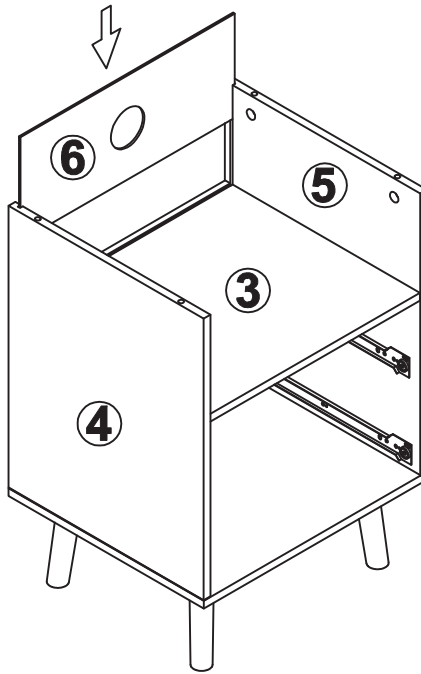
9



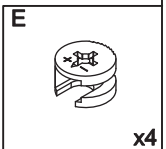
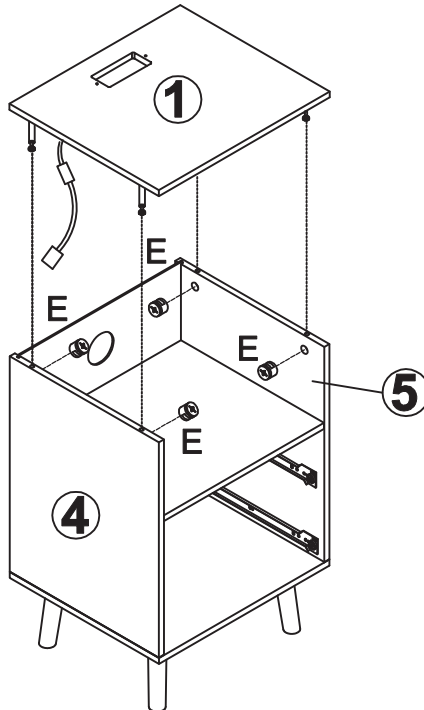
10



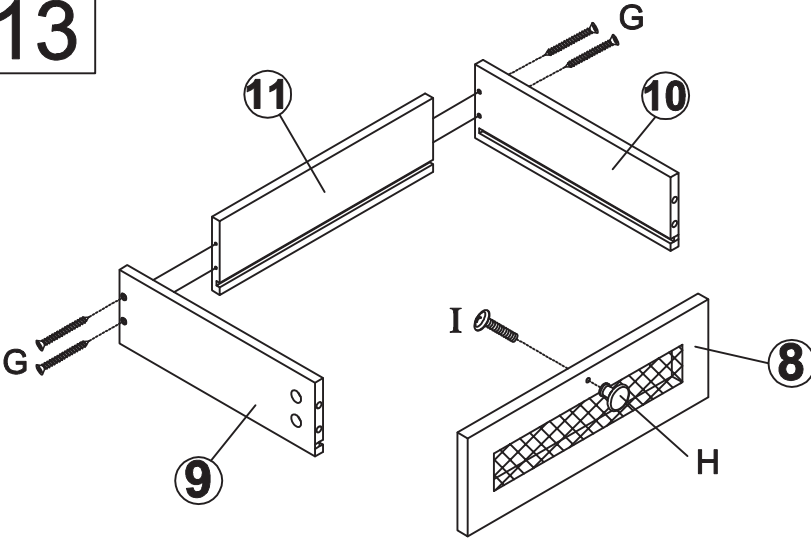
11






12



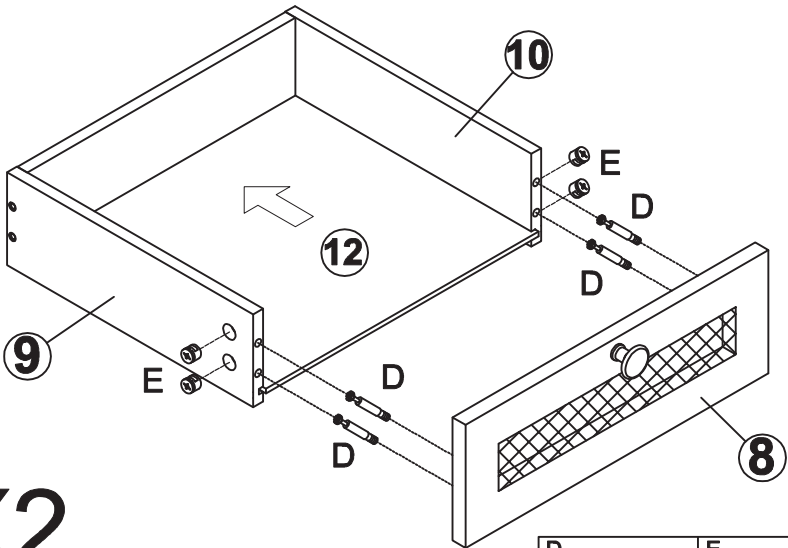
13



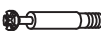

X2

<p>G M3.5x40</p>  <p>x8</p>	<p>H</p>  <p>x2</p>	<p>I</p>  <p>x2</p>
--	--	---

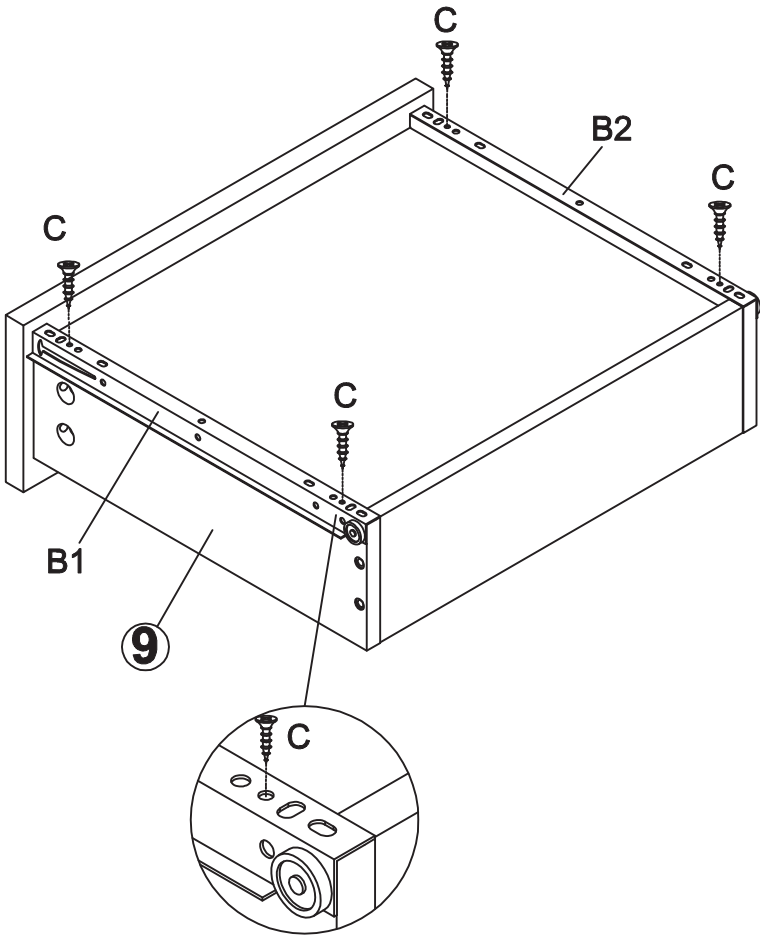
14



X2

<p>D</p>  <p>x8</p>	<p>E</p>  <p>x8</p>
--	---

15



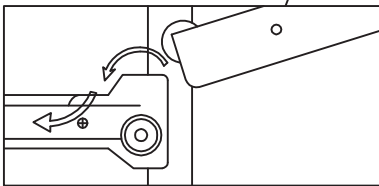
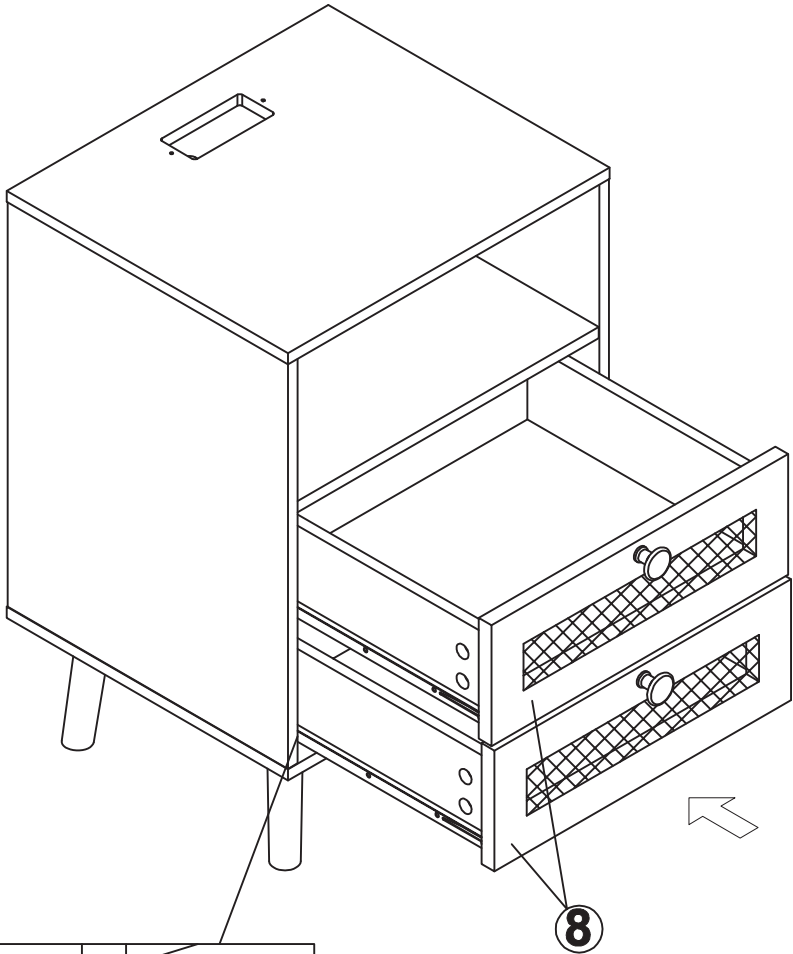
X2

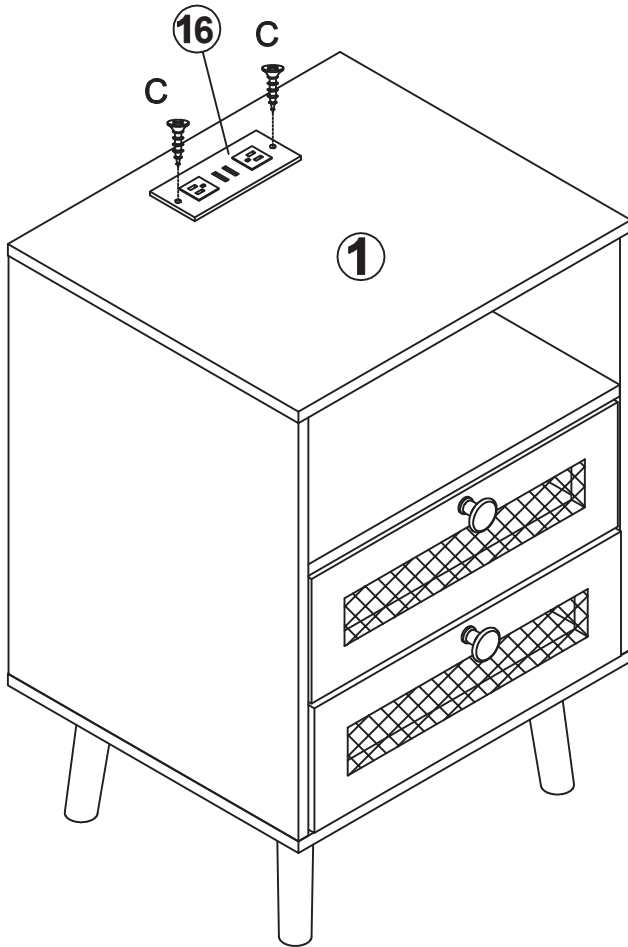
C M3.5x12



x8

16

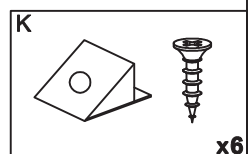
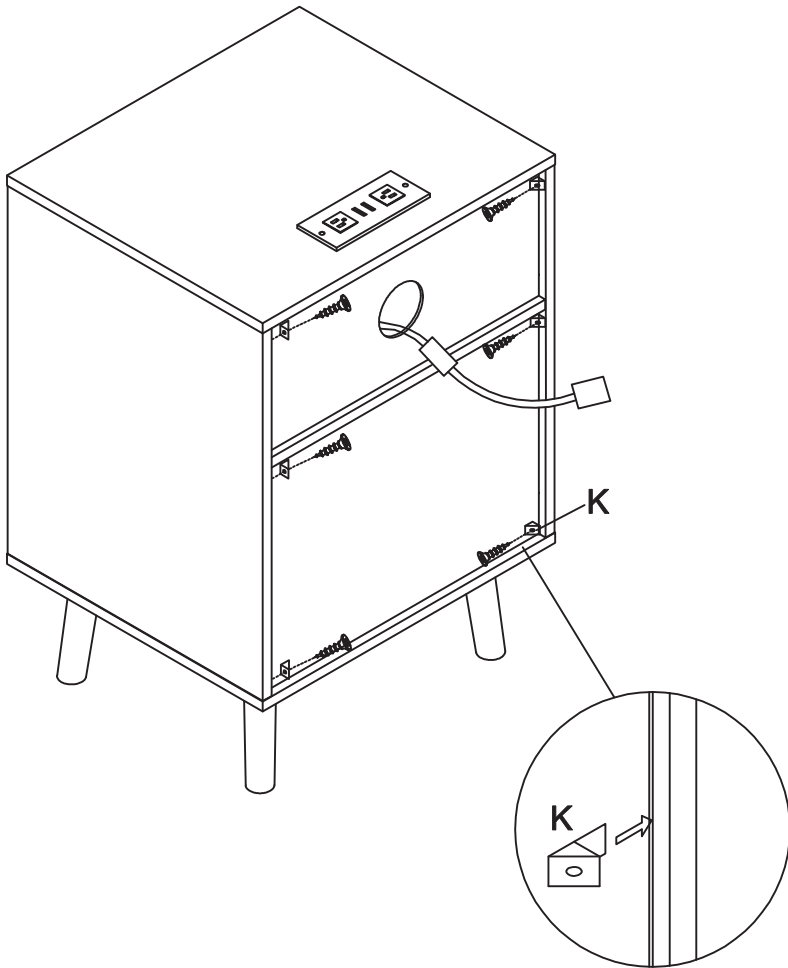




C M3.5x12



x2



19

