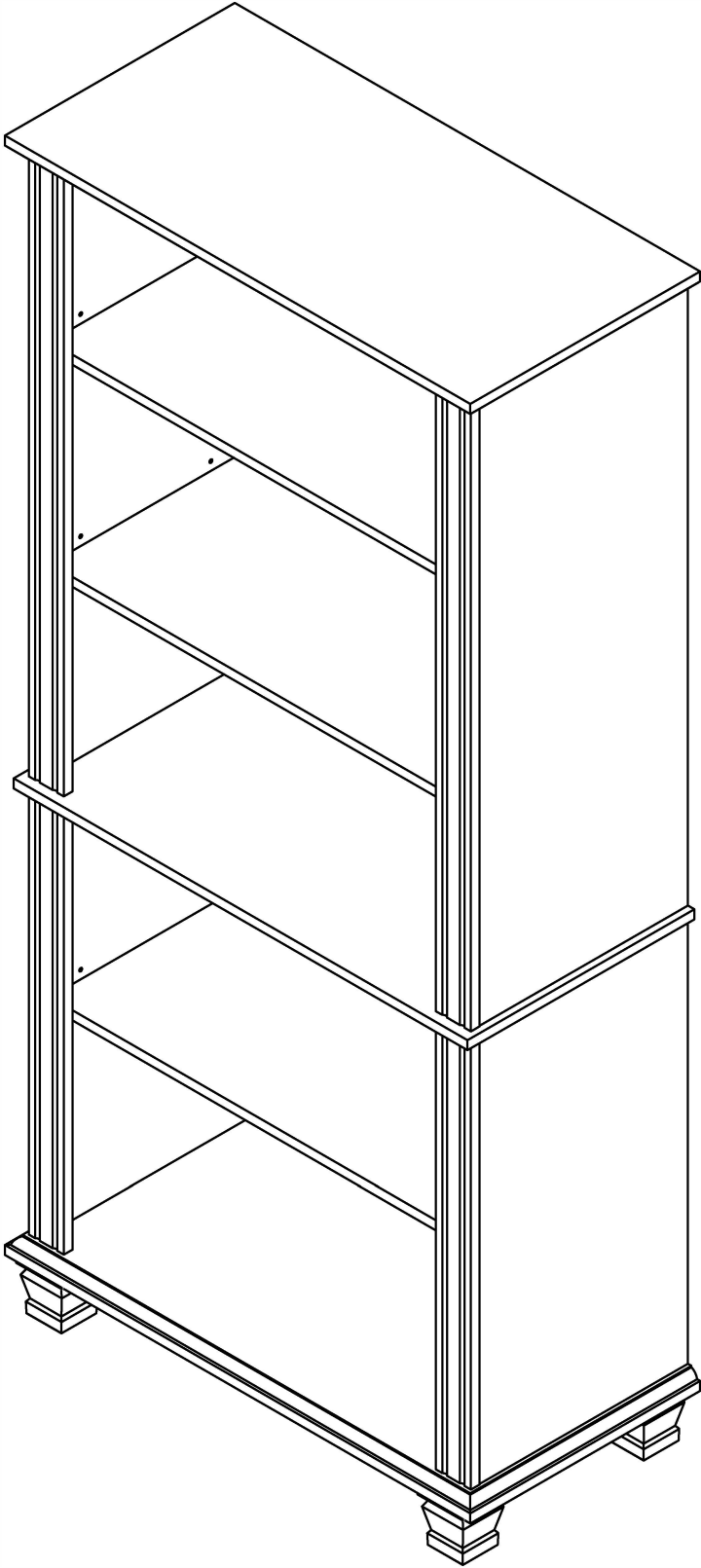


Assembly Instructions



BEFORE STARTING

Before Using Product

Read each step carefully before starting. It is very important that each step is performed in the correct order. If these steps are not followed in sequence, assembly difficulties will occur.

Make sure all parts are included.

Work in a spacious area and near where the unit will be used, preferably on a carpet, or use a piece of the cardboard packaging to protect your floor and product.

For a smooth assembly process, we suggest you keep a lite tightness for all the screws during assembly. After the whole product is assembled, firmly tighten all the screws.

WARNING

Do not allow children to climb on unit.

Avoid sharp objects or corrosive chemicals to prevent damage to the product.

During assembly, keep parts and packaging materials away from children and pets as there could be potential injury and choking hazards.

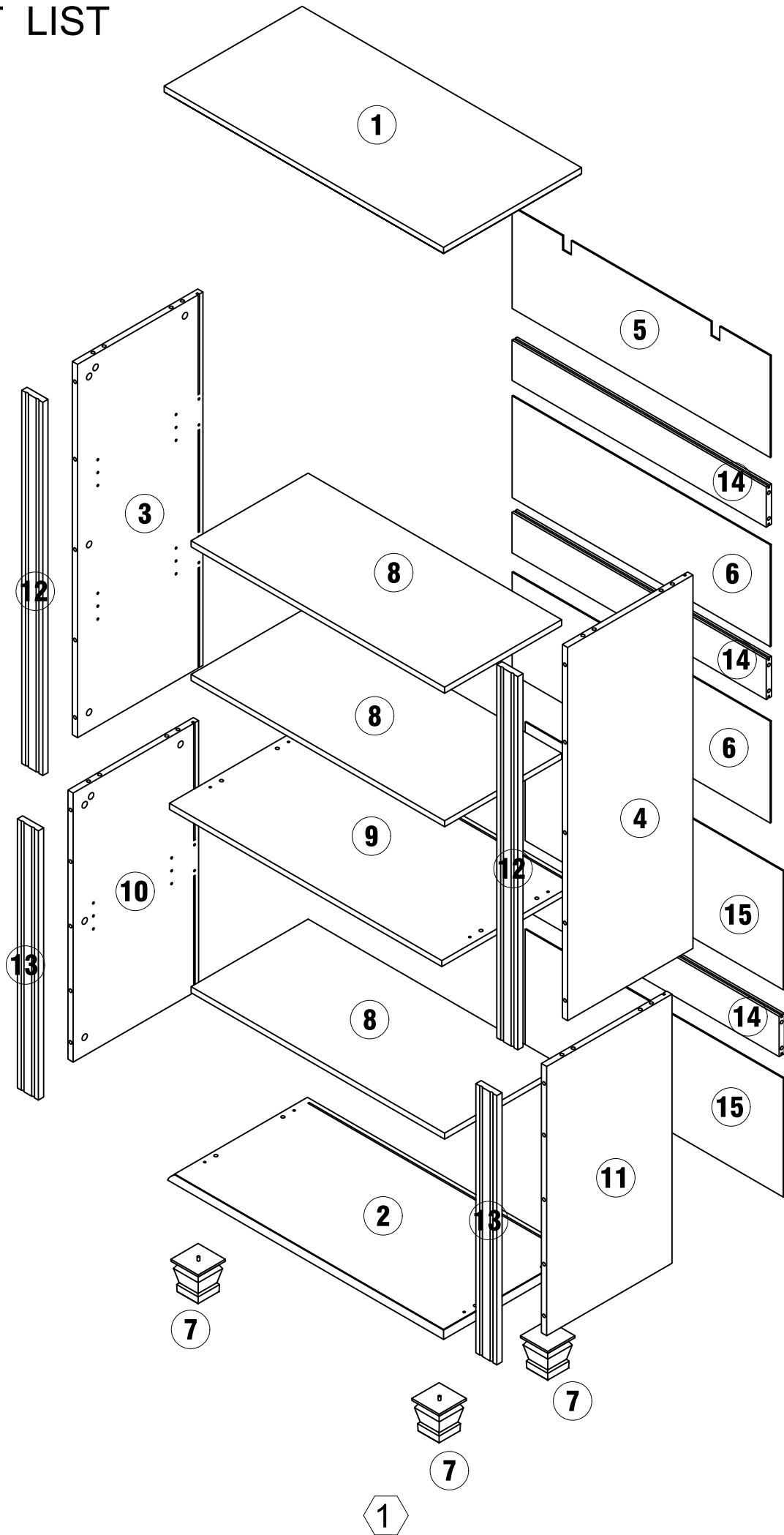
Please make sure that all objects are removed before moving the assembled unit.

The unit must be team lifted, not dragged or pushed. Failure to do so could cause instability, product collapse, and/or serious injury.

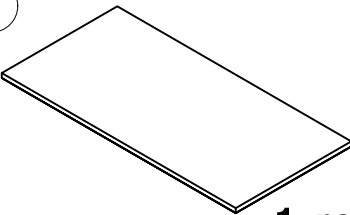
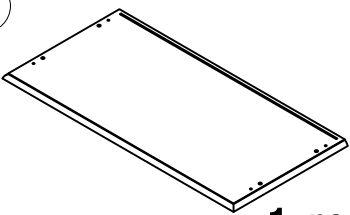
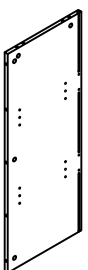

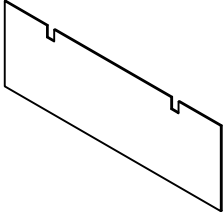
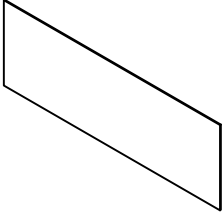

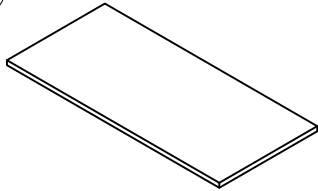
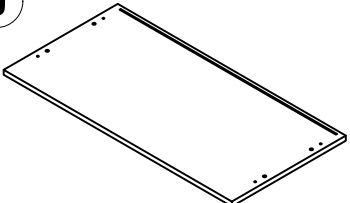




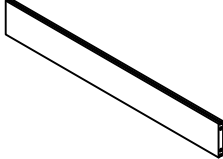
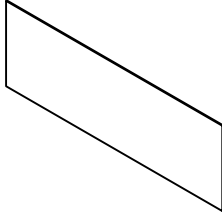
Be careful when using power tools to assemble your furniture.

Power tools may strip or damage the parts.



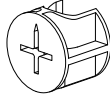
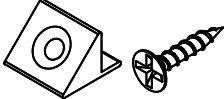
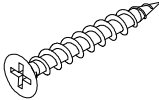
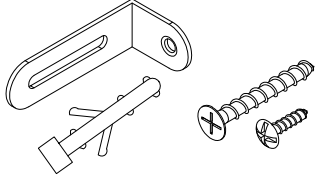
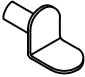
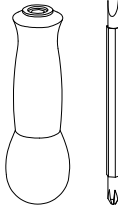
PART LIST

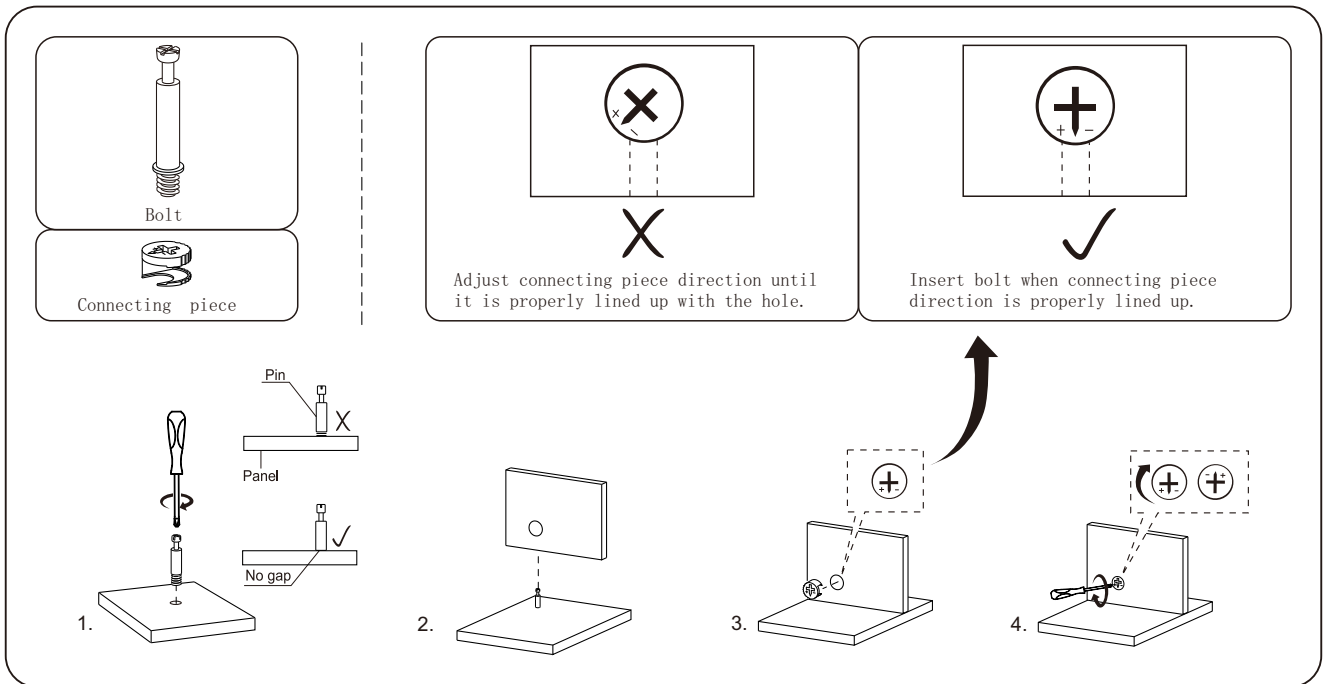


PART LIST

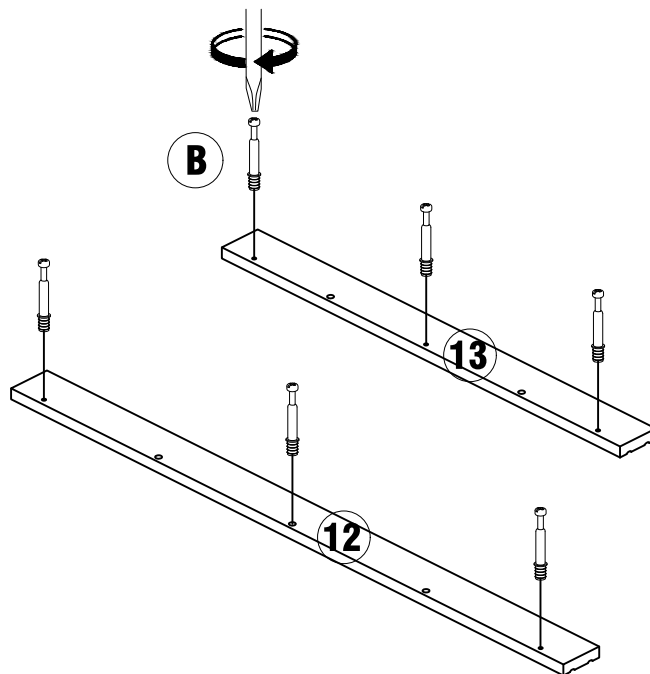
<p>1</p>  <p>1 pc</p>	<p>2</p>  <p>1 pc</p>	<p>3</p>  <p>1 pc</p>
<p>4</p>  <p>1 pc</p>	<p>5</p>  <p>1 pc</p>	<p>6</p>  <p>2 pcs</p>
<p>7</p>  <p>4 pcs</p>	<p>8</p>  <p>3 pcs</p>	<p>9</p>  <p>1 pc</p>
<p>10</p>  <p>1 pc</p>	<p>11</p>  <p>1 pc</p>	<p>12</p>  <p>2 pcs</p>
<p>13</p>  <p>2 pcs</p>	<p>14</p>  <p>3 pcs</p>	<p>15</p>  <p>2 pcs</p>

HARDWARE LIST

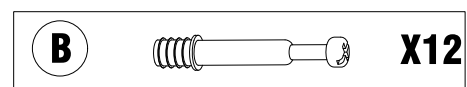
<p>A X20+1</p>  <p>Ø8X30MM</p>	<p>B X32+2</p>  <p>Ø5X40MM</p>	<p>C X32+1</p>  <p>Ø15X12MM</p>
<p>D X14</p>  <p>Ø3X12MM</p>	<p>E X8+1</p>  <p>Ø4X50MM</p>	<p>F X2</p> 
<p>G X12</p> 	<p>X1</p> 	



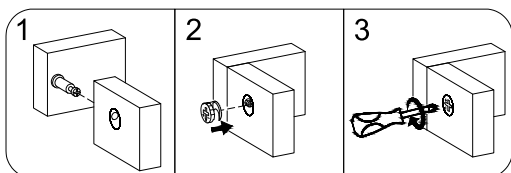
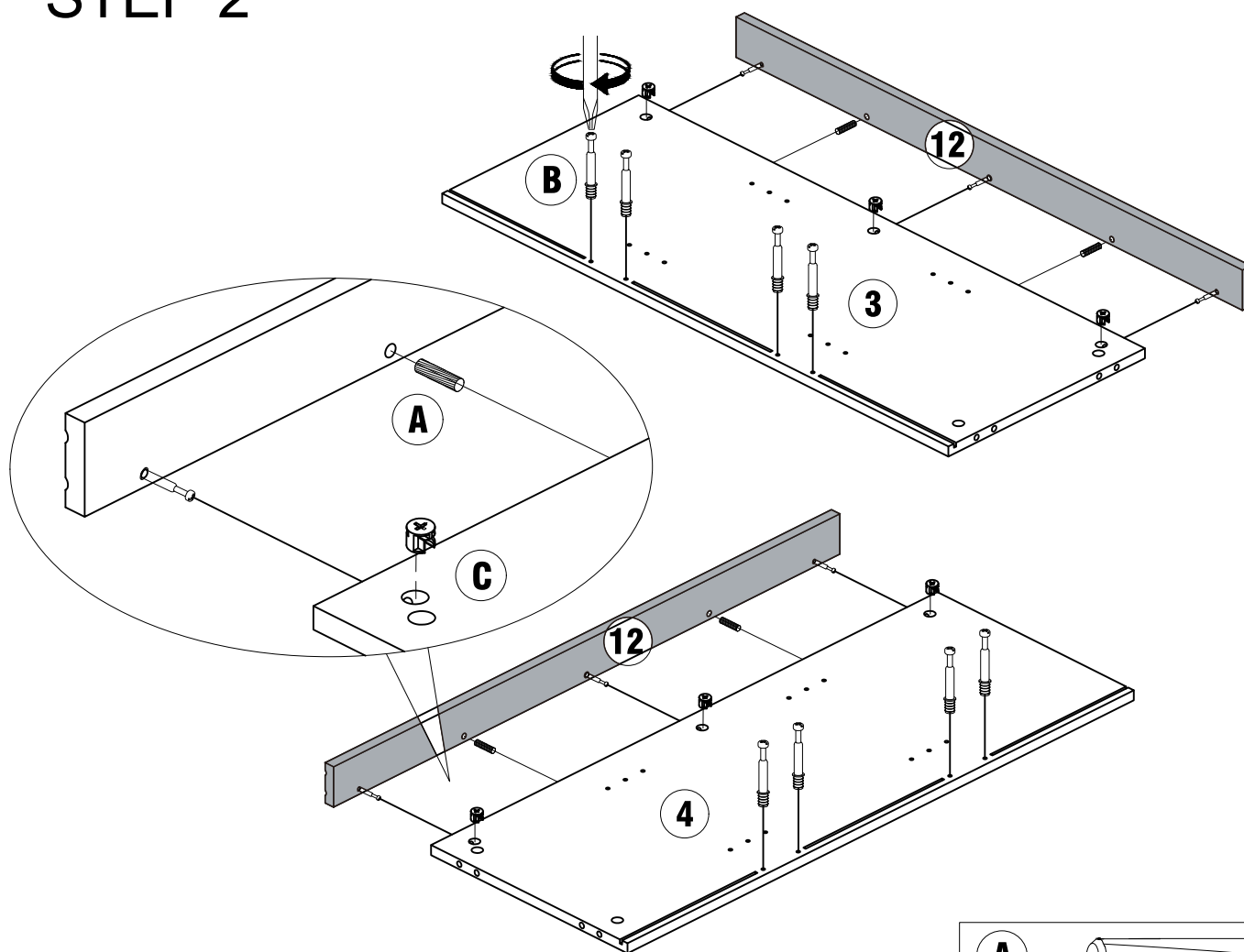
STEP 1



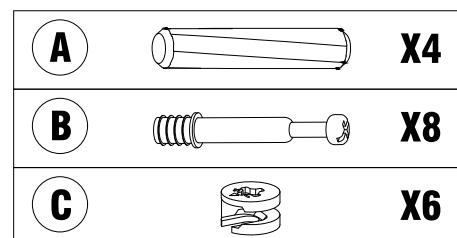
X2



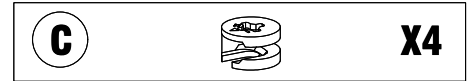
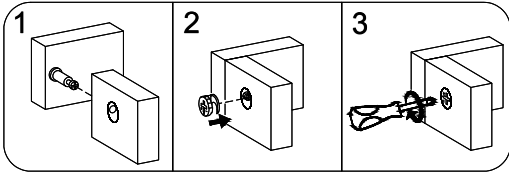
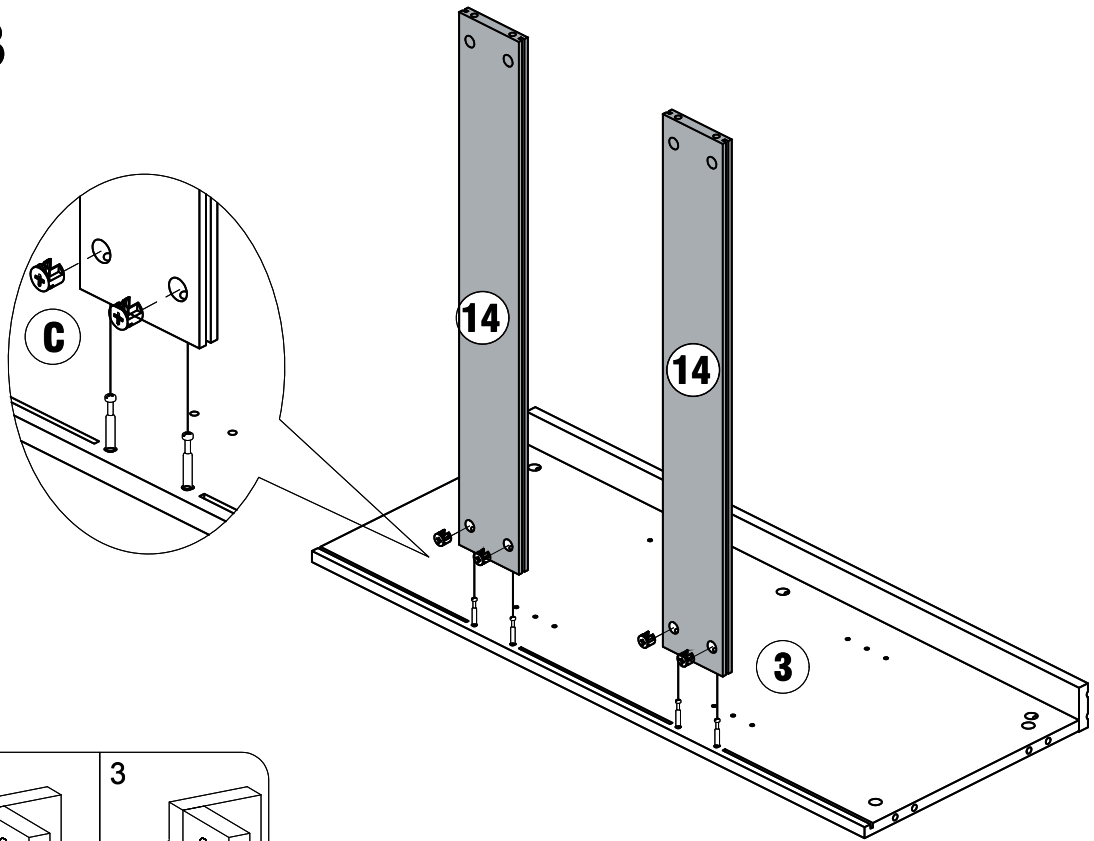
STEP 2



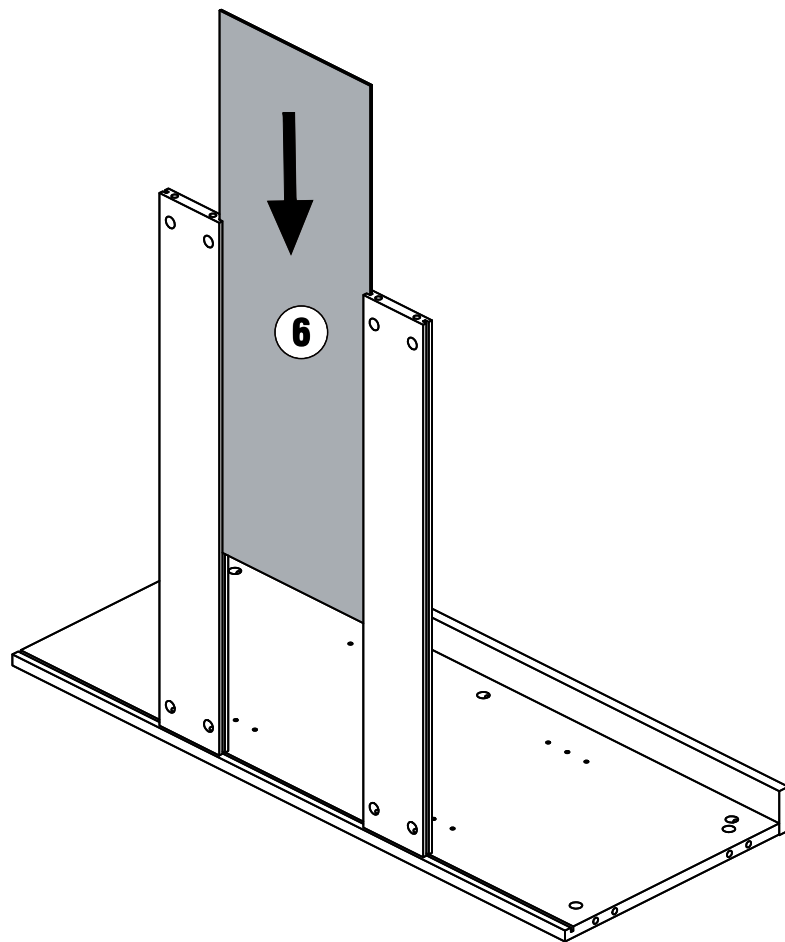
4



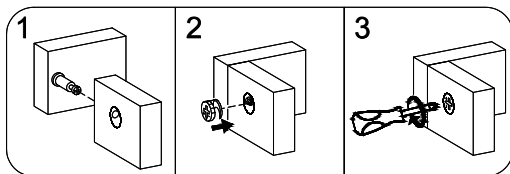
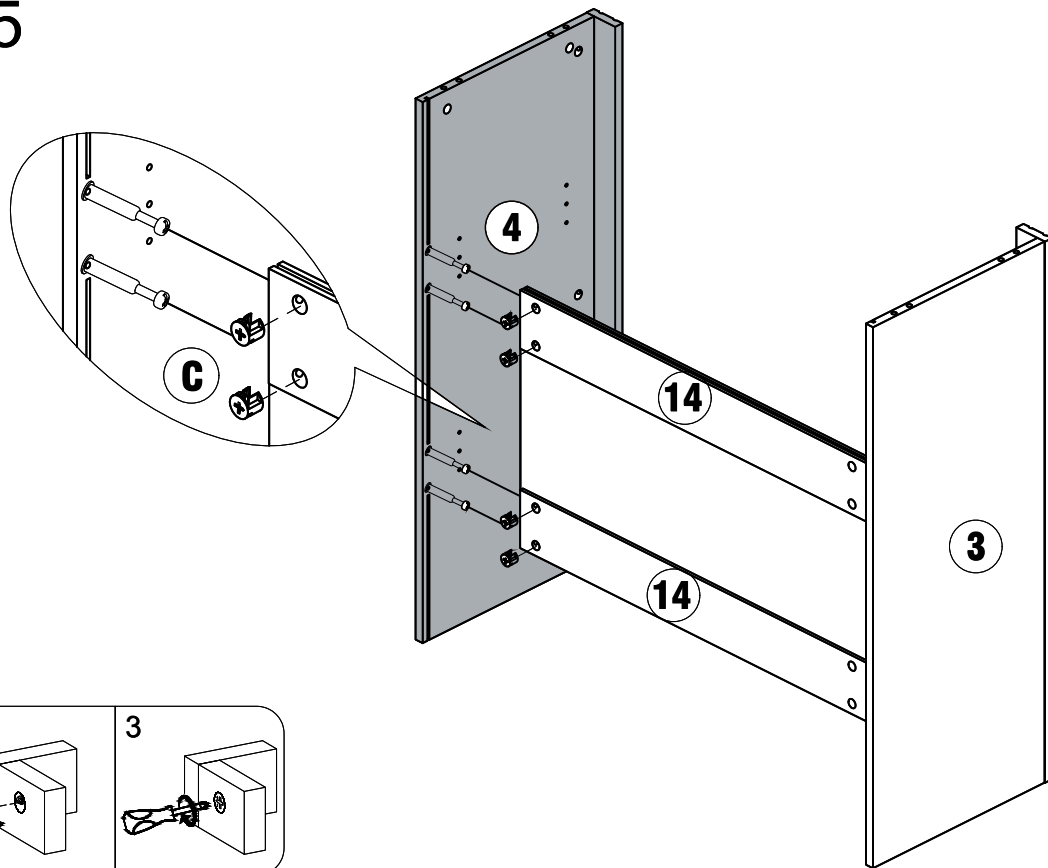
STEP 3



STEP 4

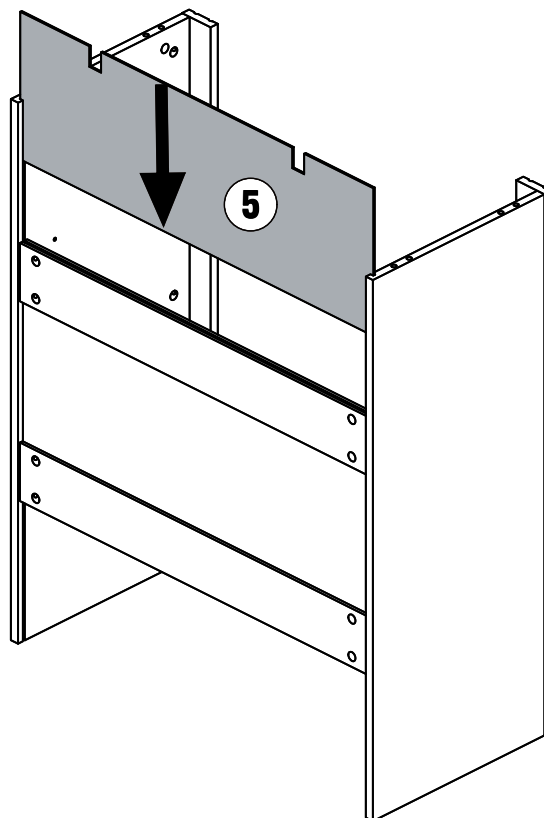


STEP 5

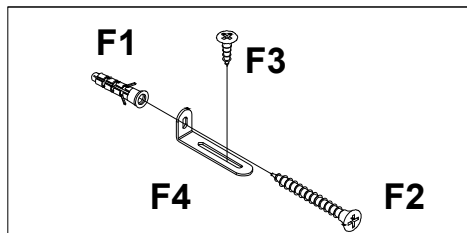
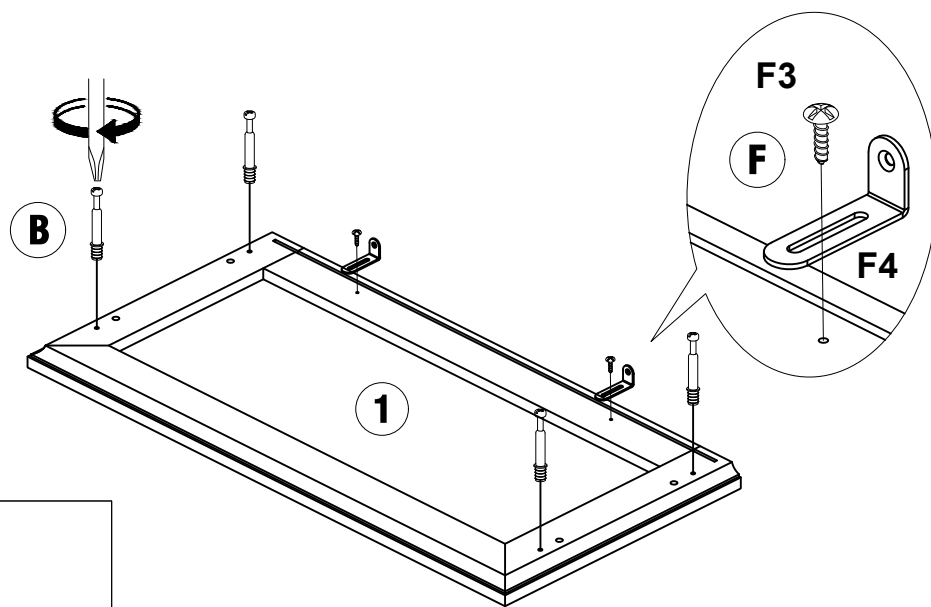


STEP 6

Note the direction of the back panel groove

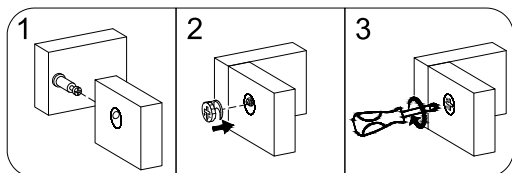
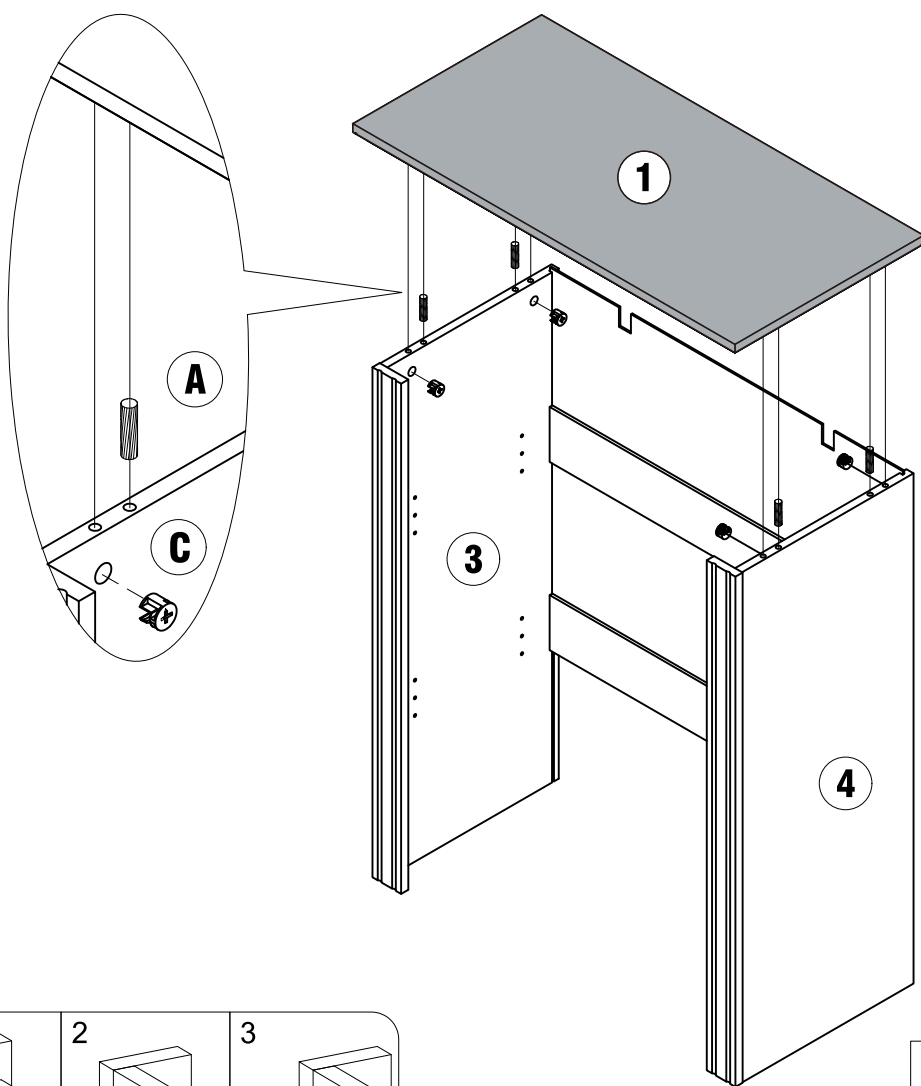


STEP 7



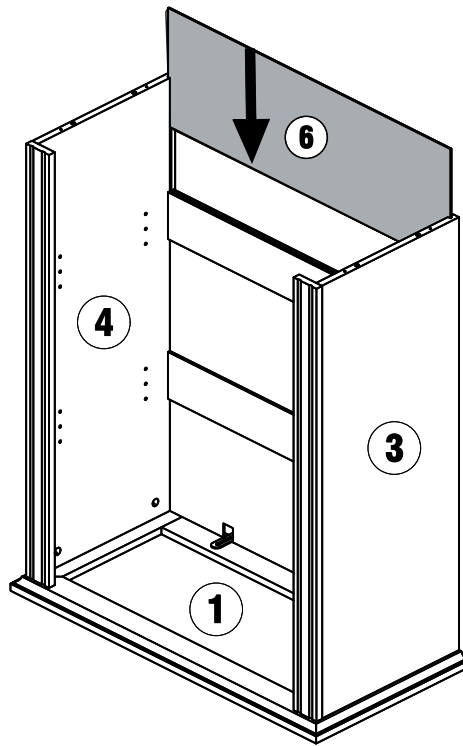
B		X4
F		X2

STEP 8

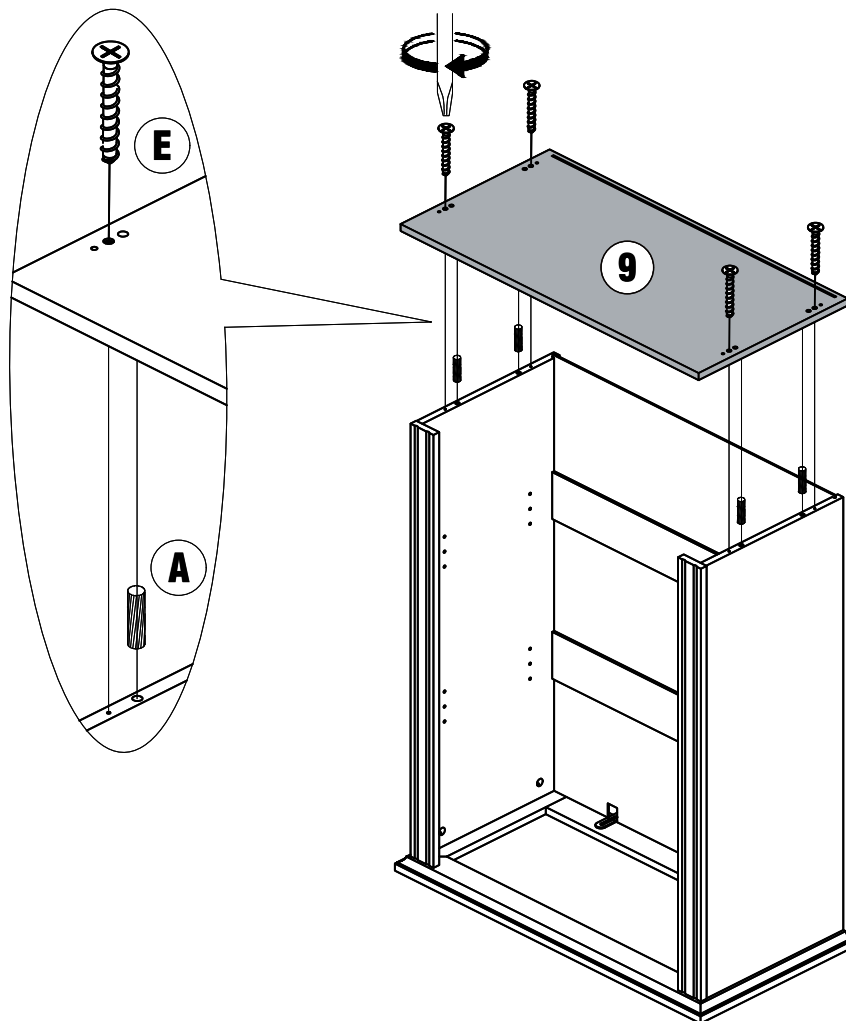


A		X4
C		X4



STEP 9



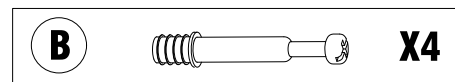
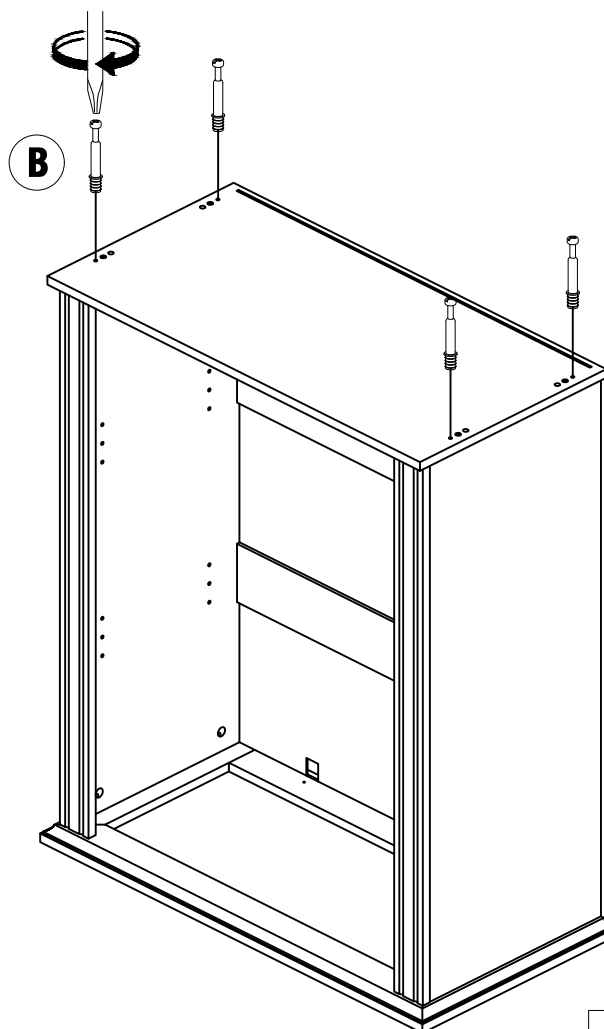
STEP 10



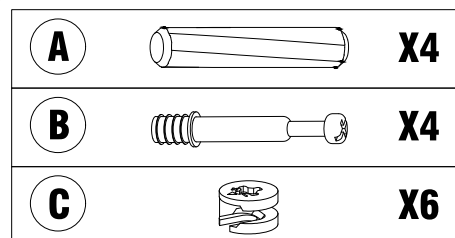
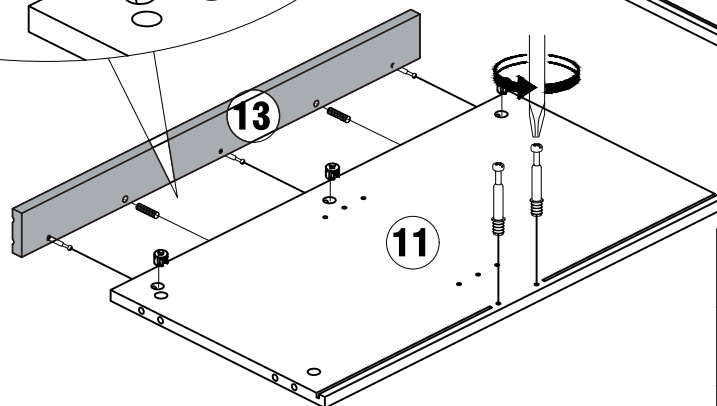
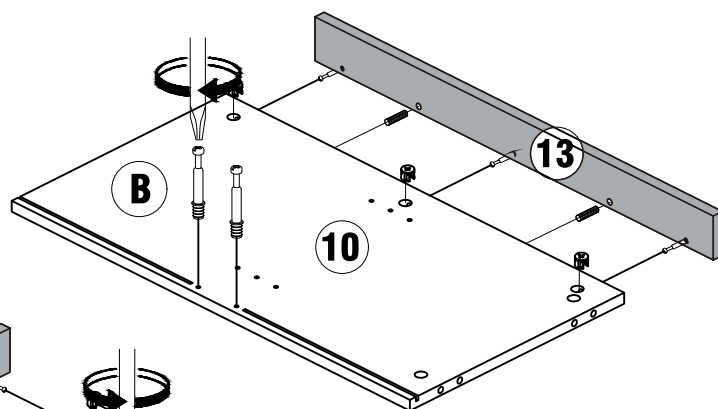
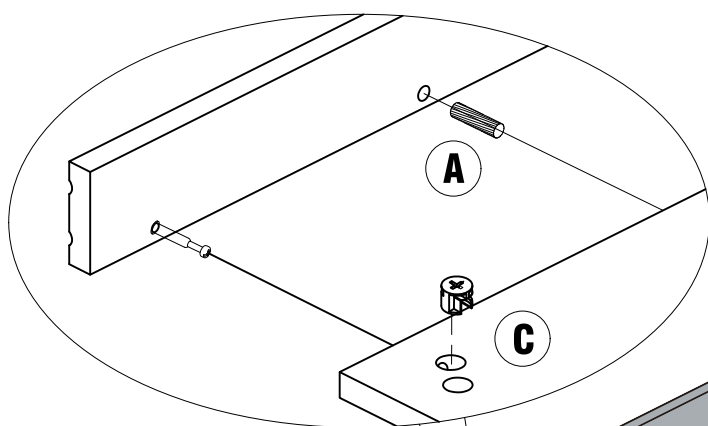
8

A		X4
E		X4

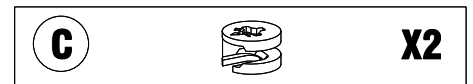
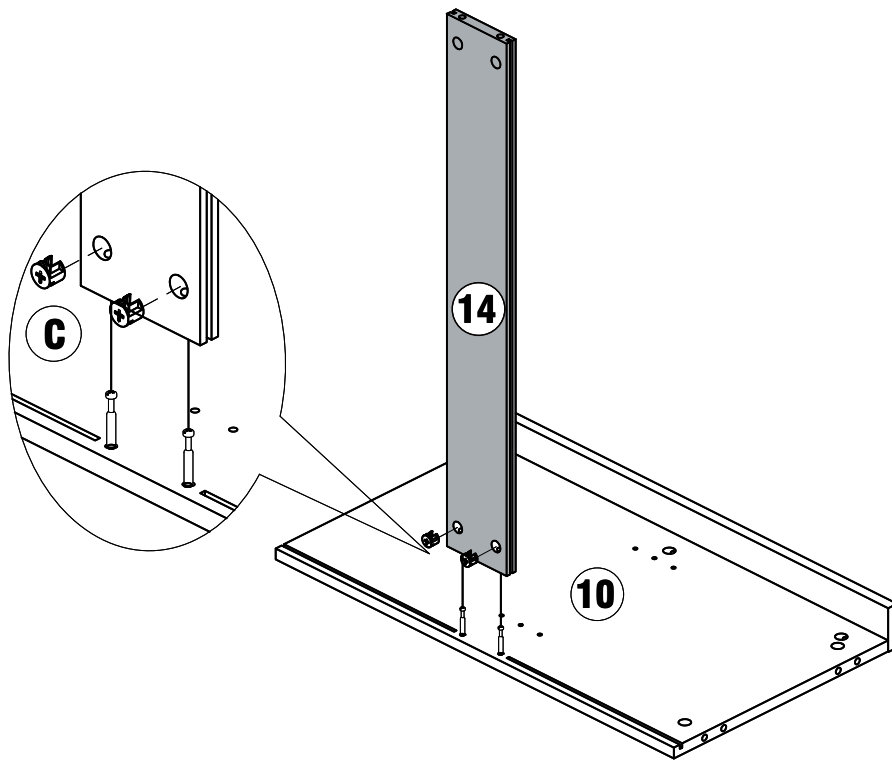
STEP 11



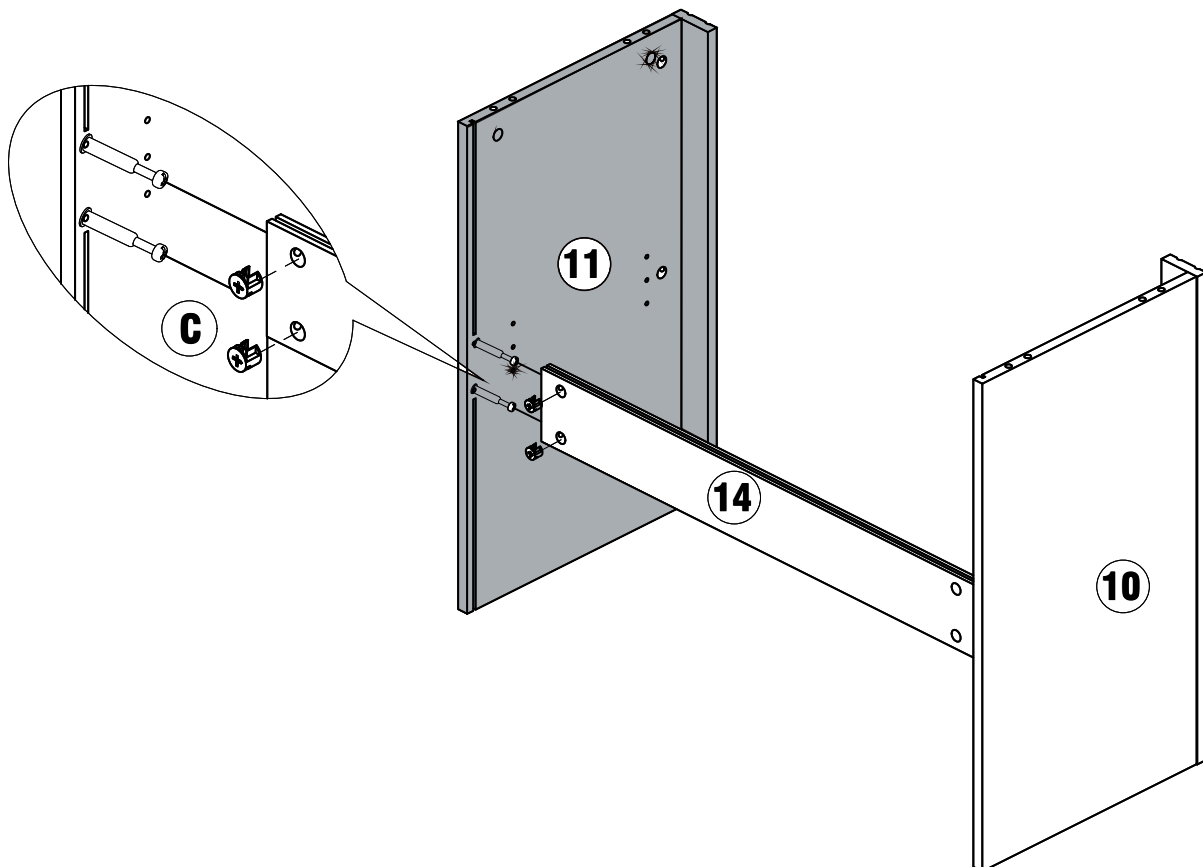
STEP 12



STEP 13



STEP 14

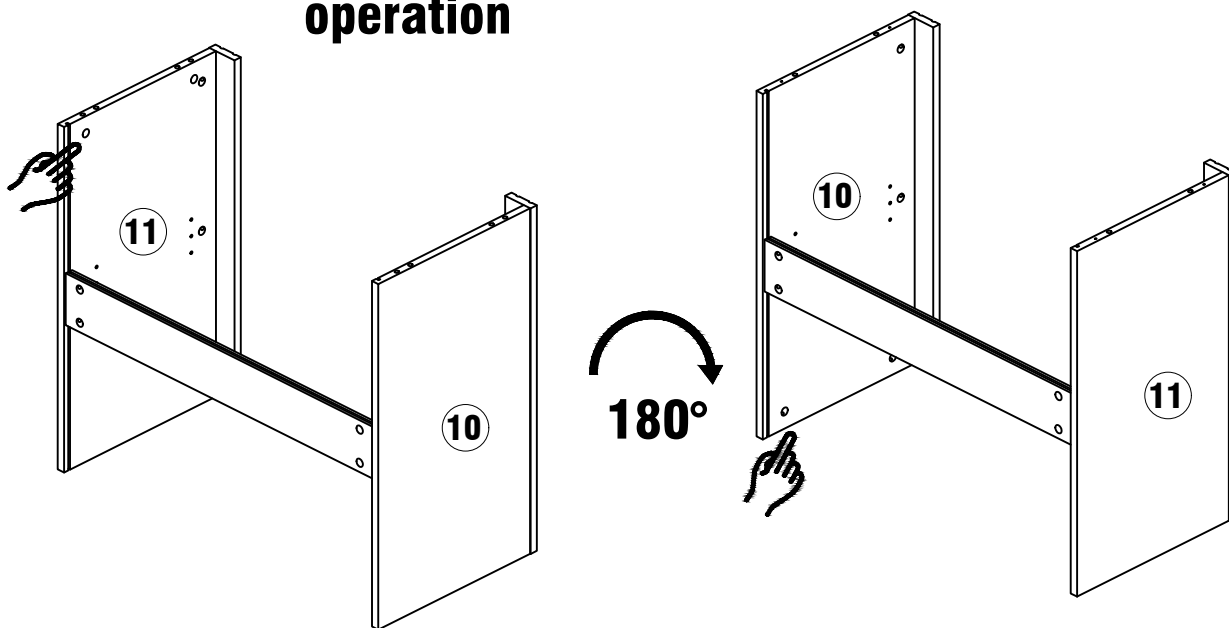


10

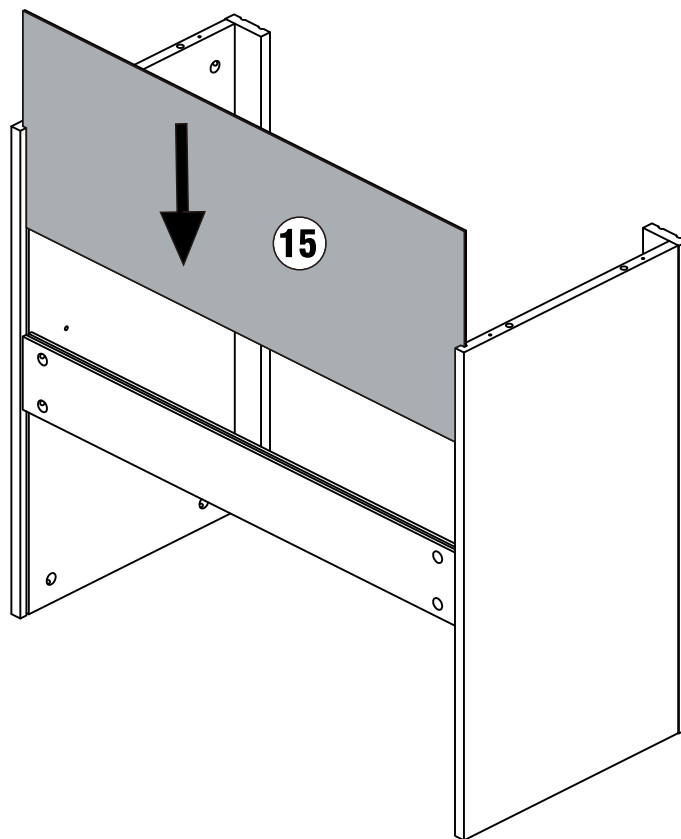


STEP 15

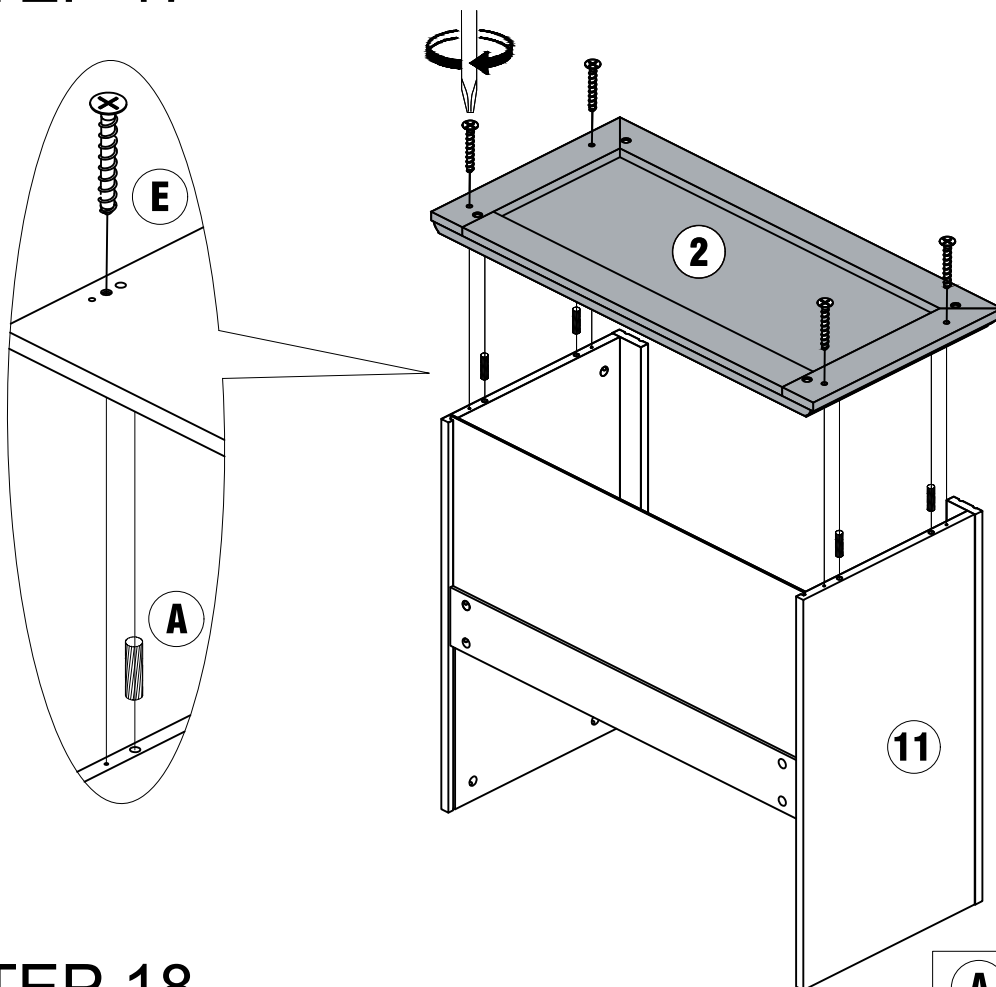
Please stabilize the parts and flip them up and down 180 degrees for the next step of operation



STEP 16

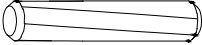
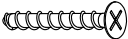


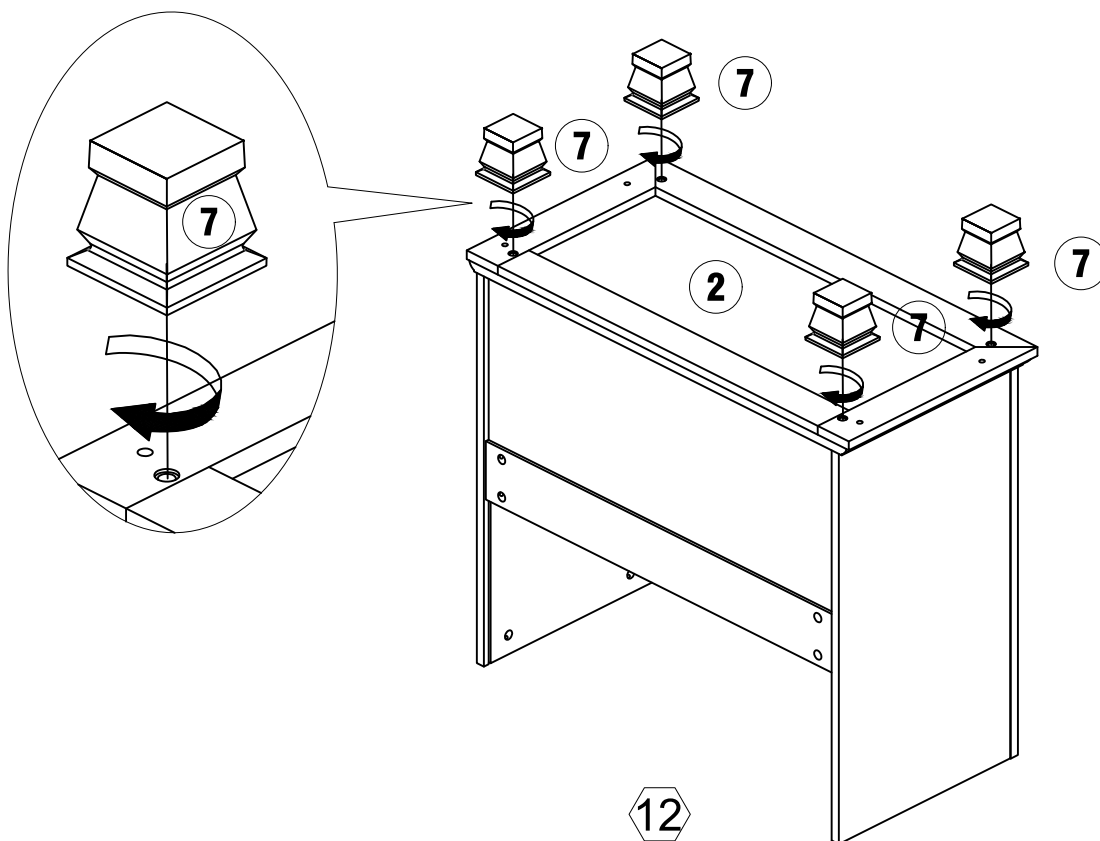
STEP 17



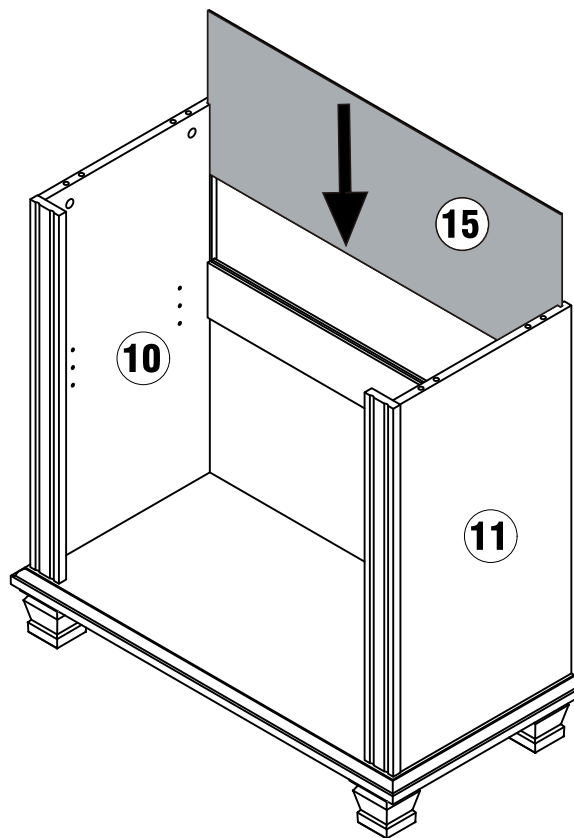
STEP 18

Instructions for use: The cabinet legs should be designed to avoid lateral stress. When moving, please lift vertically off the ground. Dragging may cause loose connectors, affecting stability and service life

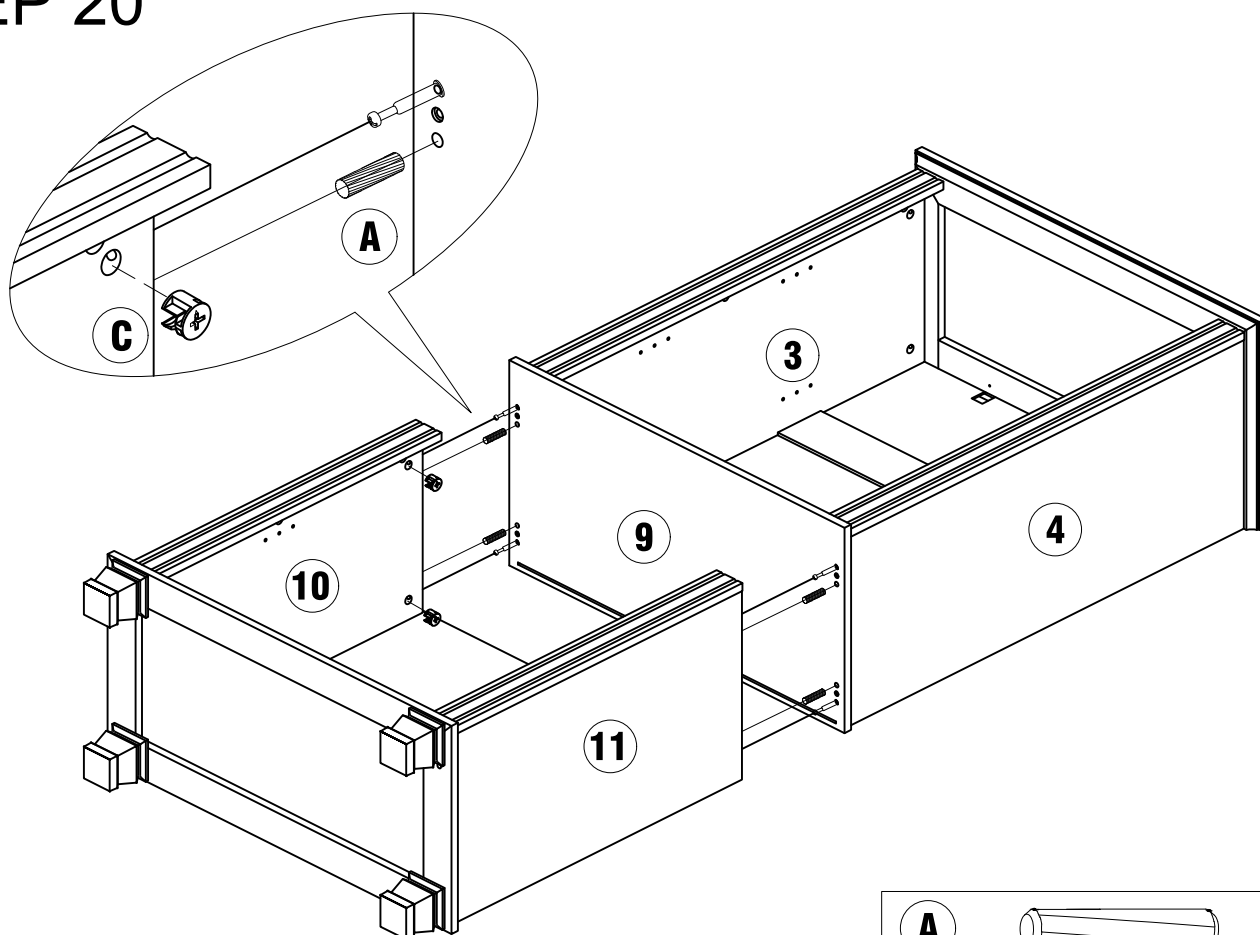
A		X4
E		X4

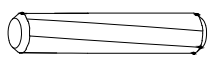



STEP 19



STEP 20

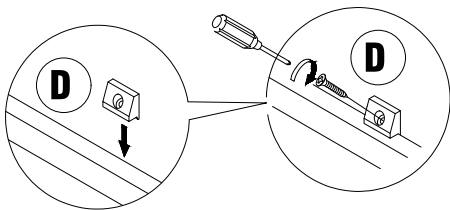


A		X4
C		X4

STEP 21



⚠ CAUTION



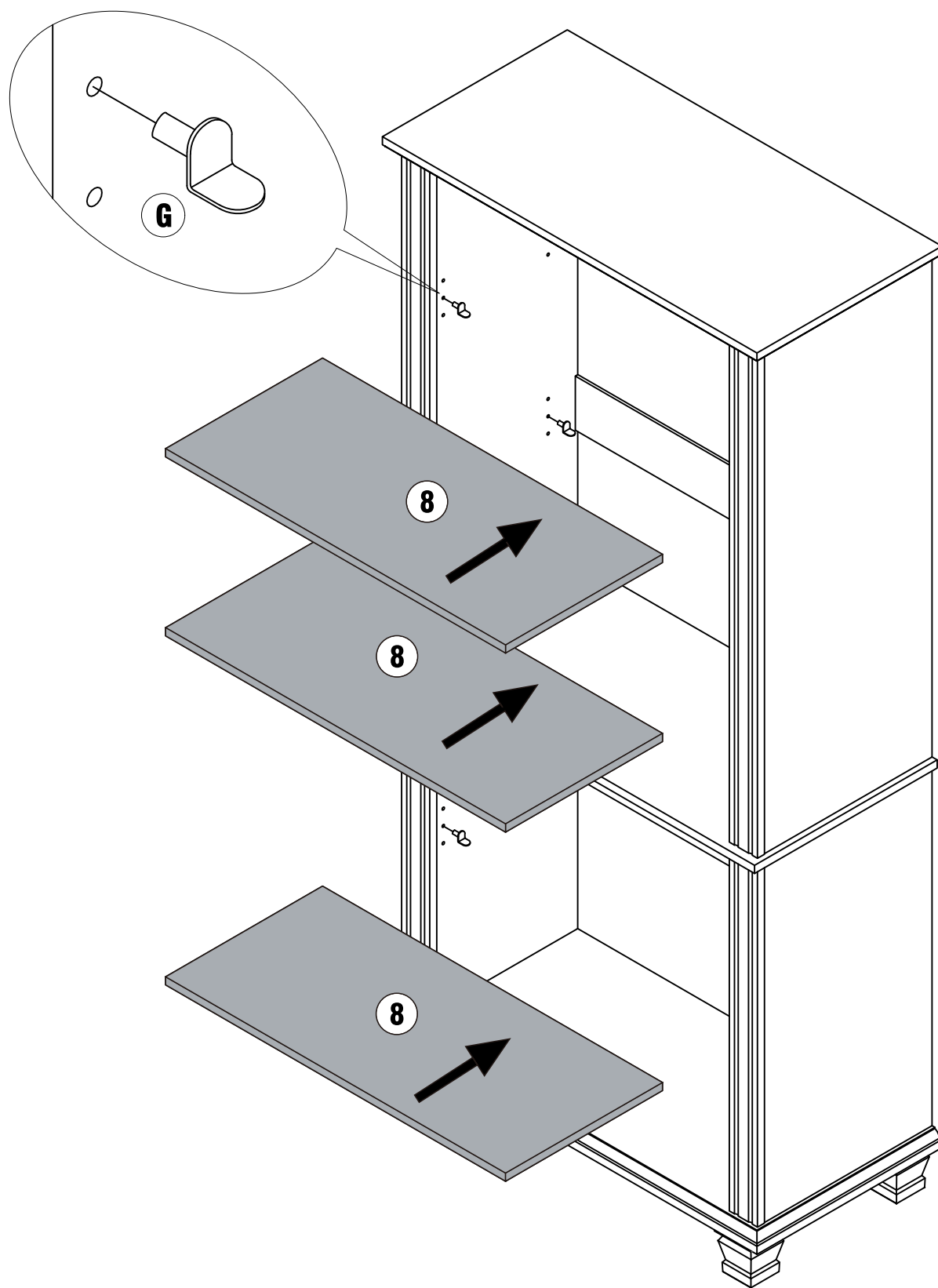
Install and tighten backplate screws to ensure stability


D




X14

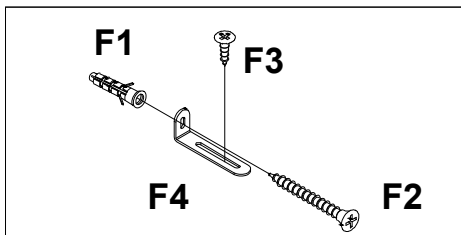
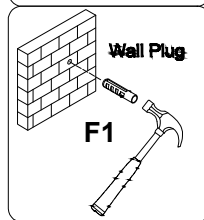
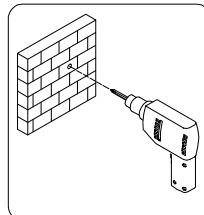
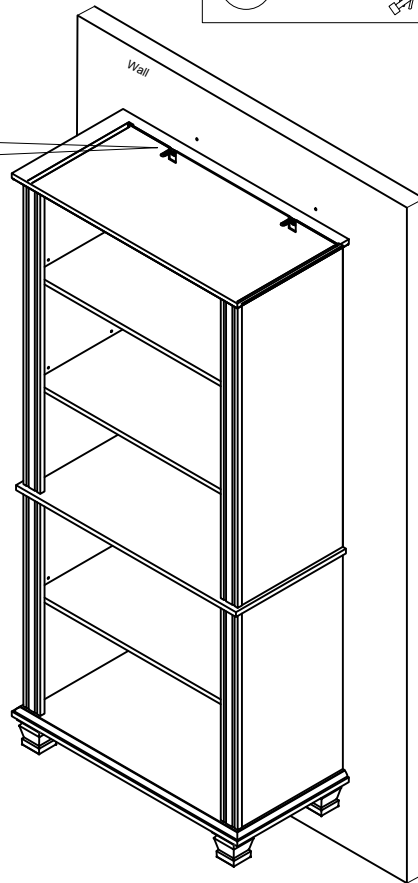
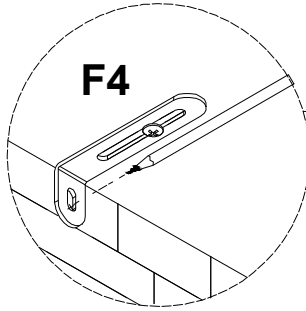
STEP 22



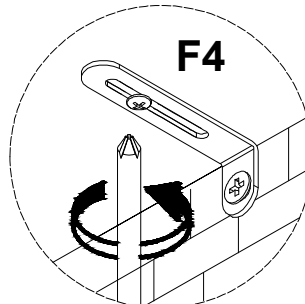
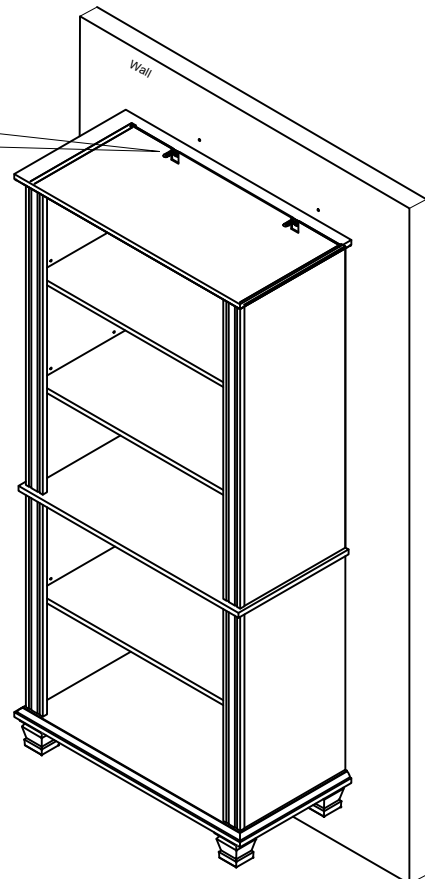
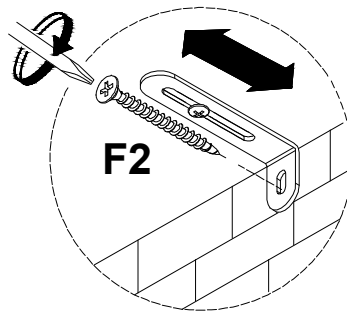
G  **X12**

STEP 23


F  **X2**



Note: Follow step
Drill a hole in the wall, then hammer the F1 into the wall with a hammer.




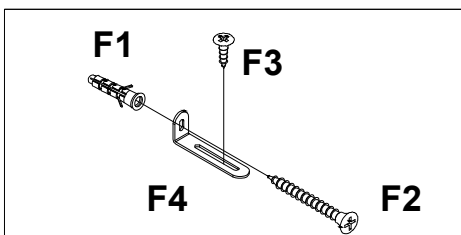
▲ WARNING

 Children have died from furniture tipover. To reduce the risk of furniture tipover:

- ALWAYS install anti-tip device provided.
- NEVER put a TV on this product.
- NEVER allow children to stand, climb or hang on any drawers, doors, or shelves.
- NEVER open more than one drawer at a time.
- Place heaviest items in the lowest drawers.

This is a permanent label. Do not remove!





Note: Follow step
Link F4 and F1 with a F2 using a screwdriver, and assembly it tightly.