




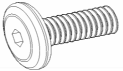
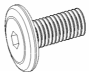


**CARE AND MAINTENANCE**

Spot clean using a mild water-free solvent. Only a professional cleaner should undertake a complete overall cleaning.  
The use of steam or water-based cleaners may cause excessive shrinking or staining.

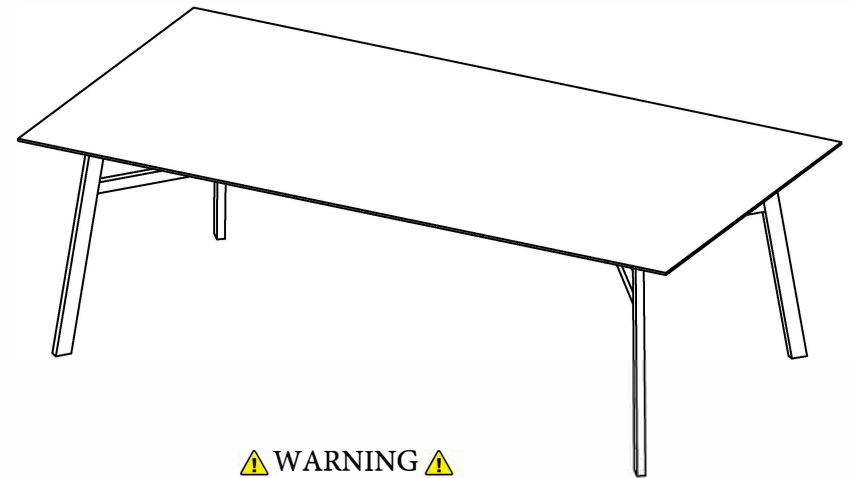
**NOTICE**

- \* Please make sure that you have all parts indicated before you begin assembly of this item
- \* This item should be assembled on a soft surface to prevent scratching the finish during assembly
- \* This item may require periodic tightening

**Part List and Hardware List**

PIECE	DESCRIPTION	PICTURE	QUANTITY
P	Table Top		1X
Q	Leg		2X
R	Leg Support		1X
HW1	Allen bolt 20x6 mm		08X
HW2	Allen bolt 16x6 mm		04X
HW3	Flat washer 16x8 mm		08X
HW4	Allen key 4 mm		1X

68.8"W X 35.4"D X 29.9"H



**⚠ WARNING ⚠**

Weight Capacity - 220 LBS  
Warning : Do not stand on Table  
Warning : Do not over torque bolts.

**The legs and hardware are located under the drawer**

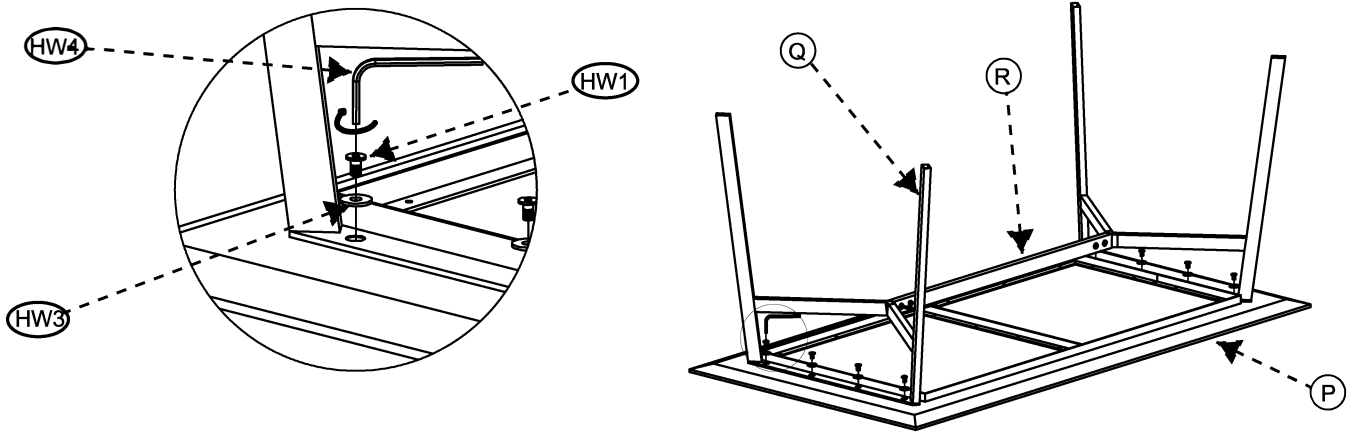
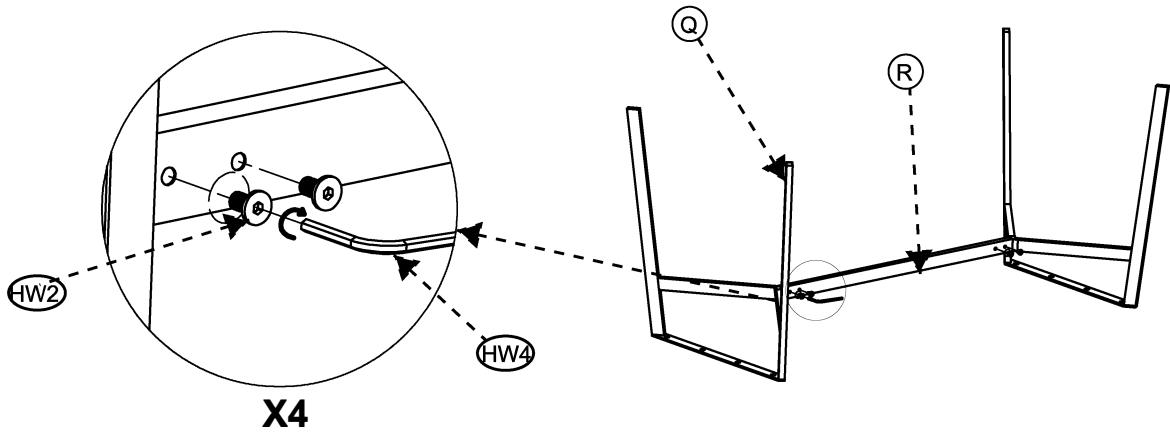
**PREPARATION**

Before beginning assembly of product, make sure all parts are present. Compare parts with package contents list and hardware contents list.

If any part is missing or damaged, do not attempt to assemble the product.

Estimated Assembly Time: 15 minutes.

Tools Required for Assembly (included): Allen Key



STEP:1 TURN THE TABLE TOP AND PUT LEGS ON IT AS SHOWN IN PICTURE

STEP:2 PUT THE WASHERS (HW3) ON THE ALLEN BOLT (HW1) IN THE ORDER SHOWN IN THE PICTURE

STEP:3 INSERT ALLEN BOLT WITH WASHER INTO TABLE TOP HOLE AS SHOWN AND TIGHTEN WITH ALLEN KEY(HW4).

**The legs and hardware are located under the drawer**