

ASSEMBLY INSTRUCTIONS COASTER FINE FURNITURE



Fine Furniture for every stage of life

300444K
E KING/C KING HEADBOARD

ITEM: 300444K

ASSEMBLY INSTRUCTIONS



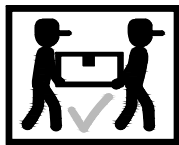
ASSEMBLY TIPS:

1. Remove hardware from box and sort by size.
2. Please check to see that all hardware and parts are present prior to start of assembly.
3. Please follow attached instructions in the same sequence as numbered to assure fast & easy assembly.



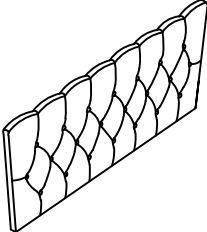

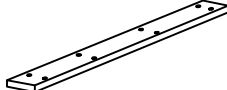

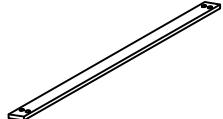


WARNING !

1. Don't attempt to repair or modify parts that are broken or defective. Please contact the store immediately.
2. This product is for home use only and not intended for commercial establishments.








ASSEMBLY TIME 30 MINUTES

PARTS IDENTIFICATION

A. HEADBOARD		1PC	D. LEFT LEG		1PC
B. LEG CONNECTOR		2PCS	E. RIGHT LEG		1PC
C. CROSSBAR		1PC	F. L-WING		1PC
			G. R-WING		1PC

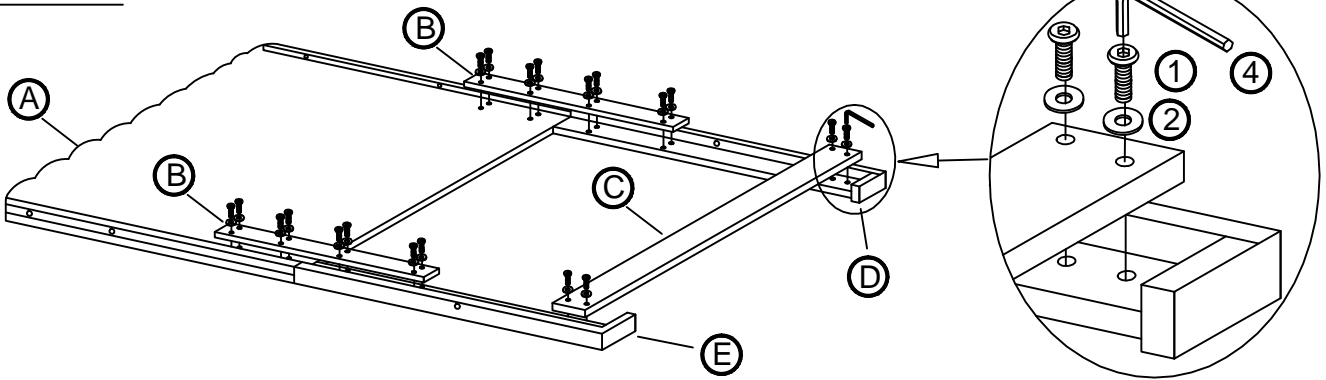
Z HARDWARE PACKAGE

1. ALLEN BOLT (Ø5/16"*2"-GOLD)		30PCS	4. ALLEN WRENCH (Ø5/16"*63mm-GOLD)		1PC
2. FLAT WASHER (Ø19mm-GOLD)		20PCS	5. FLAT WASHER (Ø25mm-GOLD)		14PCS
3. NUT (Ø5/16"*12mm-GOLD)		4PCS			

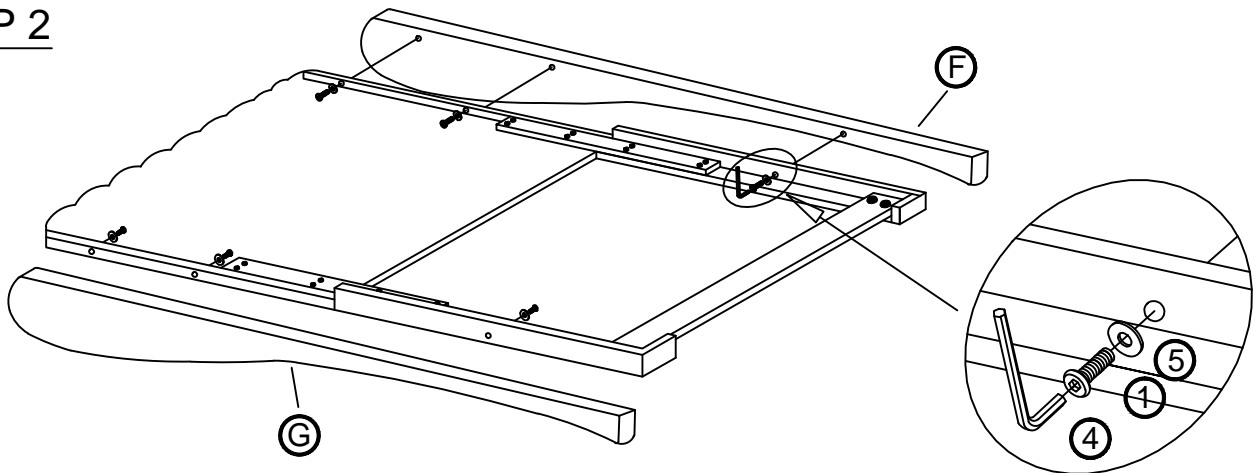
ITEM: 300444K
 ASSEMBLY INSTRUCTIONS



STEP 1



STEP 2



STEP 3
 COMPLETE

