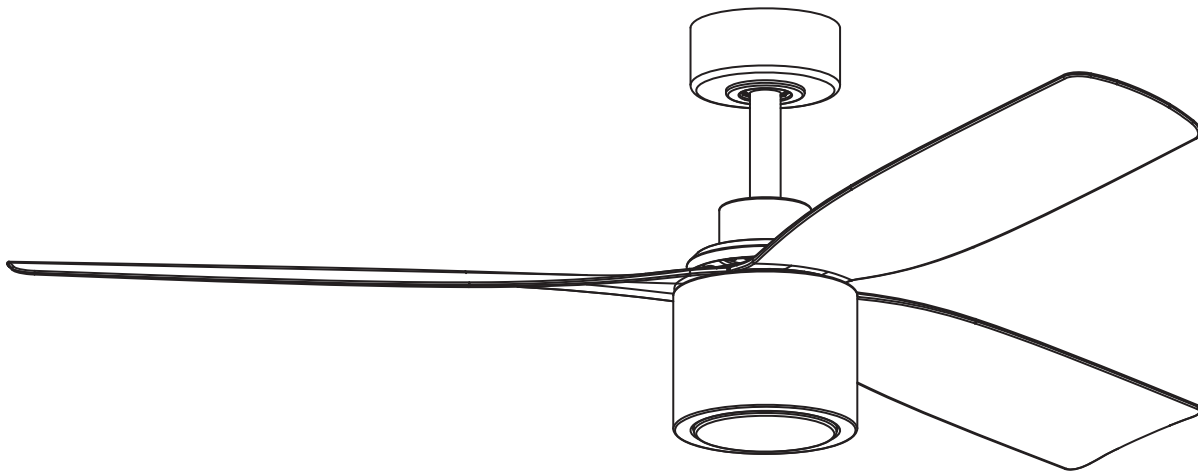




Model #AR-3001xx-52

USE AND CARE GUIDE

52" RAVIAN™ CEILING FAN



Questions, problems, missing parts?
Contact Customer Service by e-mail at
Support@Arranmorelighting.com



**For
Damp Location**

THANK YOU

We appreciate the trust and confidence you have placed in Arranmore Lighting Company, LLC through the purchase of this ceiling fan. We strive to continually create quality products designed to enhance your home. Visit us on-line at <https://arranmorelighting.com> to see our full line of products available for your home improvement needs. Thank you for choosing Arranmore!

Important Safety Instructions

WARNING: To avoid fire, shock and serious personal injury, follow these instructions.

1. Read your owner's manual and safety information before installing your new fan. Review the accompanying assembly diagrams.
2. Before servicing or cleaning unit, switch power off at service panel and lock service panel disconnecting means to prevent power from being switched on accidentally. When the service disconnecting means cannot be locked, securely fasten a warning device, such as a tag, to the service panel.
3. Be careful of the fan and blades when cleaning, painting, or working near the fan. Always turn off the power to the ceiling fan before servicing.
4. Do not insert anything into the fan blades while the fan is operation.
5. The appliance is not intended for use by young children or infirm persons without supervision. Young children should be supervised to ensure that they do not play with the appliance.
6. The net weight of this fan is: 4.82 kgs.

Additional Safety Instructions

WARNING: To avoid fire, shock and serious personal injury, follow these instructions.

1. To avoid possible shock, be sure electricity is turned off at the fuse box before wiring, and do not operate fan without blades.
2. All wiring and installation procedures must satisfy National Electrical Codes (ANSI/ NFPA 70) and Local Codes. The ceiling fan must be grounded as a precaution against possible electrical shock. Electrical installation should be made or approved by a licensed electrician.
3. The fan base must be securely mounted and capable of reliably supporting at least 35 lbs. (fan and accessories not to exceed 35 lbs. or 15.9 kgs.). Consult a qualified electrician if in doubt.
4. The fan must be mounted with the fan blades at least 7 feet from the floor to prevent accidental contact with the ceiling fan.
5. Follow the recommended instructions for the proper method of wiring your ceiling fan. If you do not have adequate electrical knowledge or experience, have your fan installed by licensed electrician.
6. Suitable for use with solid-state speed controls.
7. This fan is to be used in indoor dry or damp location only.
8. For supply connections, if the conductor of a fan is identified as a grounded conductor, then it should be connected to a grounded conductor power supply. If the conductor of a fan is identified as an ungrounded conductor, then it should be connected to an ungrounded conductor power supply. If the conductor of a fan is identified for equipment grounding, then it should be connected to an equipment-grounding conductor.

CAUTION: Changes or modifications not expressly approved by the party responsible for compliance could void the user's authority to operate the equipment.

WARNING: TO REDUCE THE RISK OF ELECTRIC SHOCK, THIS FAN MUST BE INSTALLED WITH A GENERAL USE, ISOLATING WALL CONTROL/SWITCH.

WARNING: This product is designed to use only those parts supplied with this product and/or accessories designaed specifically for use with this product. Using parts and/or accessories not designated for use with this product could result in personal injury or property damage.

WARNING: To reduce the risk of personal injury, do not bend the blade bracket (flange or blade holder) when instaing the brackets, balancing the blades, or cleaning the fan. Do not insert foreign objects in between rotating fan blades.

WARNING: To reduce the risk of fire, electrical shock, or personal injury, mount to an outlet box marked "Acceptable for Fan Support of 15.9 kg (35 lb) or less" and use the mounting screws provided with the outlet box. Most outlet boxes commonly used for the support of lighting fixtures are not acceptable for fan support and may need to be replaced. Consult a qualified electrician if in doubt.

WARNING: Do not operate this fan with a variable (Rheostat) wall controller or dimmer switch. Doing so could result in damage to the ceiling fan's remote control unit.

This device complies with Part 15 of the FCC Rules. Operation is subject to the following two conditions: (1) This device may not cause harmful interference, and (2) this device must accept any interference received, including interference that may cause undesired operation. If the intentional radiator can be classified as a Class B digital device or a PC peripheral, then shall include the following or equivalent:

NOTE: This equipment has been tested and found to comply with the limits for Class B digital device, pursuant to part 15 of the FCC Rules. These limits are designed to provide reasonable protection against harmful interference in a residential installation. This equipment generates, uses and can radiate radio frequency energy and, if not installed and used in accordance with the instructions, may cause harmful interference to radio or television reception, which can be determined by turning the equipment off and on, the user is encouraged to try to correct the interference by one or more of the following measures:

- Reorient or relocate the receiving antenna.
- Increase the separation between the equipment and the receiver.
- Connect the equipment into an outlet on a circuit different from that to which the receiver is connected. Consult the dealer or an experienced radio/TV technician for help.

NOTE: For a Class A digital device, statements of 15. 105(a) must be included when appropriate for the device in question.

Three Year Warranty

If the fan motor or any other part fails at any time within three years of the original purchase, due to a defect in materials or workmanship, we will repair or replace, at our option, the defective part, free of charge.

Because of varying climate conditions, this warranty does not cover changes on the finish, including rusting, pitting, corroding, tarnishing or peeling. This includes coastal locations where salt air can cause corrosion.

This warranty is void and does not apply to damage from improper installation, neglect, accident, misuse, exposure to extremes of heat or humidity, or as the result of any modification to the original product.

All costs of removal and re-installation of the fan are the sole responsibility of the owner of the fan and not the retailer that sold the fan or Arranmore Lighting Company, LLC.

Arranmore reserves the right to modify or discontinue any product at any time and may substitute any part under this warranty.

Under no circumstances may a fan be returned without prior authorization from Arranmore. The receipt of purchase must accompany authorized returns and must be sent freight prepaid to Arranmore. The fan to be returned must be properly packed to avoid damage in transit; Arranmore will not be responsible for any damage resulting from improper packaging.

It is understood that any repair or replacement is the exclusive remedy available from Arranmore. There is no other expressed or implied warranty. Arranmore hereby disclaims any and all implied warranties, including, but not limited to those of merchantability and fitness for a particular purpose to the extent permitted by law. Some states do not allow limitations on implied warranties. Arranmore will not be liable for incidental, consequential, or special damages arising out of or in conjunction with product use or performance, except as may otherwise be accorded by law. This warranty gives you special legal rights and you may also have other rights that vary from state to state.

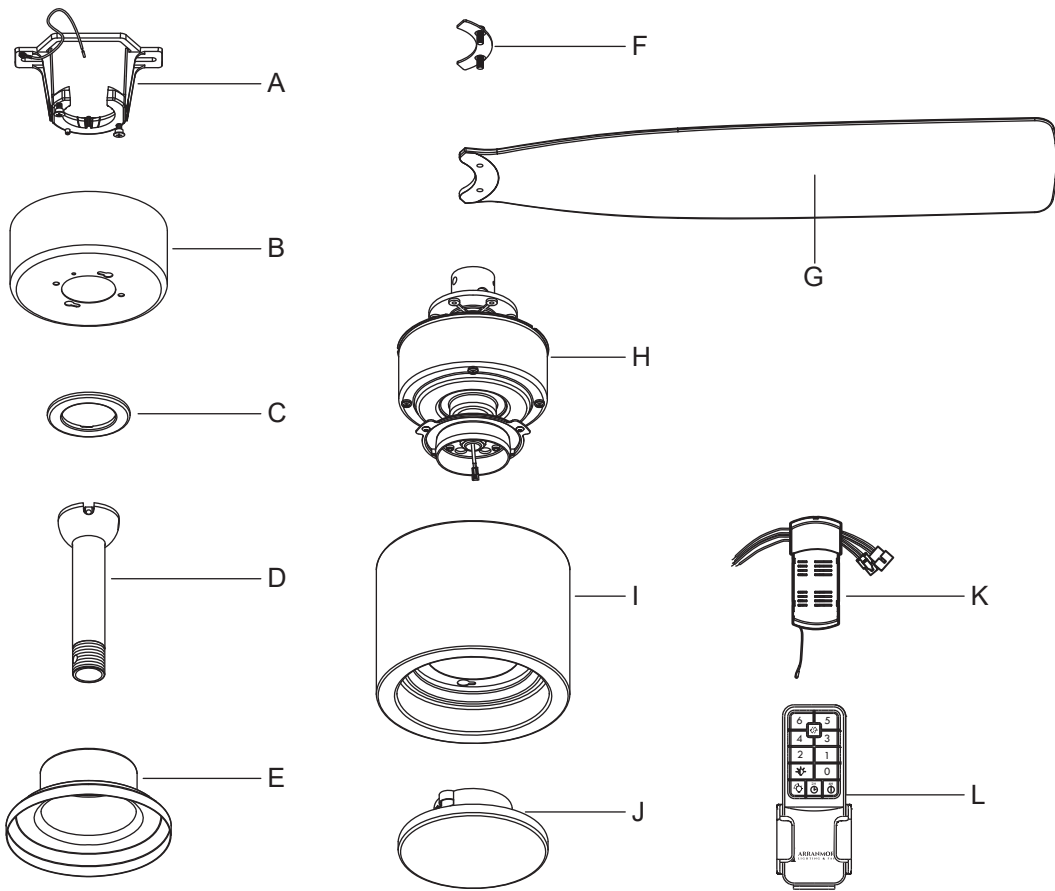
A certain amount of wobble is normal and should not be considered a problem or a defect. Contact the Custome Service Team at Support@Arranmorelighting.com.

Table of Contents

Package Contents	4	How to Install Your Decorative Cap	12
Hardware Contents	5	How to Install Your LED Light Kit (optional)	12
Preparation	5	How to Operate Your Ceiling	13
Initial Installation	6	Care and Maintenance	16
How to Assemble Your Ceiling Fan	7	Troubleshooting	17
How to Wire Your Ceiling Fan	9	How to Order Repair Parts	18
How to Install Your Decorative Motor Cover	11		

Package Contents

NOTE: Hardware not shown to actual size.

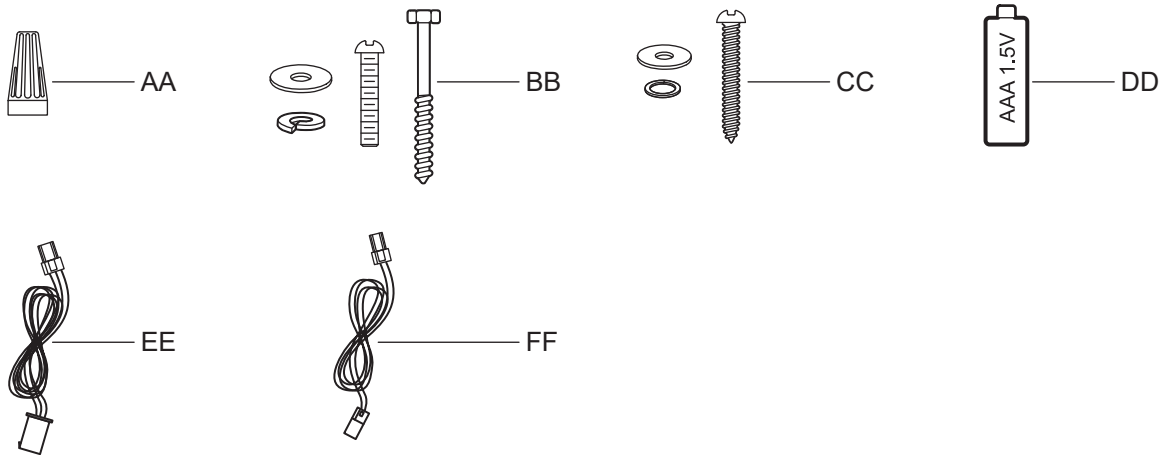


Reference #	Description	Quantity
A	Mounting bracket (preassembled)	1
B	Canopy	1
C	Canopy bottom cover (preassembled)	1
D	Downrod	1
E	Coupling cover	1
F	Blade support plate with screws and lock washers	3
G	Blade	3
H	Fan motor assembly	1
I	Decorative motor cover	1
J	Decorative cap	1
K	Receiver + 4 wire nuts	1
L	Remote control + holder + 2 mounting screws	1

▲ IMPORTANT

You must use the parts provided with this fan for proper installation and safety.

Hardware Contents



Reference #	Description	Quantity
AA	Plastic wire nut	4
BB	Wood screw, screw, lock washer and flat washer	2
CC	Safety cable screw, lock washer and flat washer	1
DD	1.5V AAA battery	2
EE	42" 2-pin extension cord (only for use longer downrod up to 48")	1
FF	42" 3-pin extension cord (only for use longer downrod up to 48")	1

Preparation

Before beginning assembly of product, make sure all parts are present. Compare parts with package contents list and hardware contents list. If any part is missing or damaged, do not attempt to assemble the product.

Estimated Assembly Time: 120 minutes

Tools Required for Assembly (not included): Electrical Tape, Phillips Screwdriver, Pliers, Safety Glasses, Stepladder and Wire Strippers.

Helpful Tools (not included): AC Tester Light, Tape Measure, Do-It-Yourself Wiring Handbook and Wire Cutters.

⚠ DANGER

When using an existing outlet box, make sure the outlet box is securely attached to the building structure and can support the full weight of the fan. Failure to do this can result in serious injury or death. The stability of the outlet box is essential in minimizing wobble and noise in the fan after installation is complete.

⚠ CAUTION

Be sure outlet box is properly grounded and a ground wire (green or bare) is present.

After opening top of carton, remove mounting hardware package from foam inserts. Remove motor from packing and place on carpet or on foam to avoid damage to finish.

⚠ CAUTION

Carefully check all screws, bolts and nuts on fan motor assembly to ensure they are secured.

Initial Installation

1. Turn off circuit breakers and wall switch to the fan supply line leads. (Figure 1)

⚠ DANGER

Failure to disconnect power supply prior to installation may result in serious injury or death.

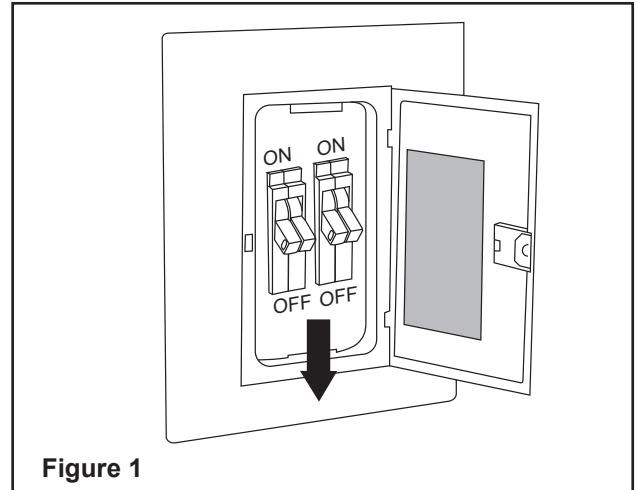


Figure 1

2. Determine mounting method to use. (Figure 2)
- A. Standard mount
 - B. Angle mount.

⚠ IMPORTANT

If using the angle mount, ensure the ceiling angle is not steeper than 19°.

* **Helpful Hint:** Standard mounting is best suited for ceilings 7 ft. high or higher. For higher ceilings you may want to use a longer downrod (not included). Angle mounting is best suited for angled or vaulted ceilings. A longer downrod is sometimes necessary to ensure proper blade clearance.

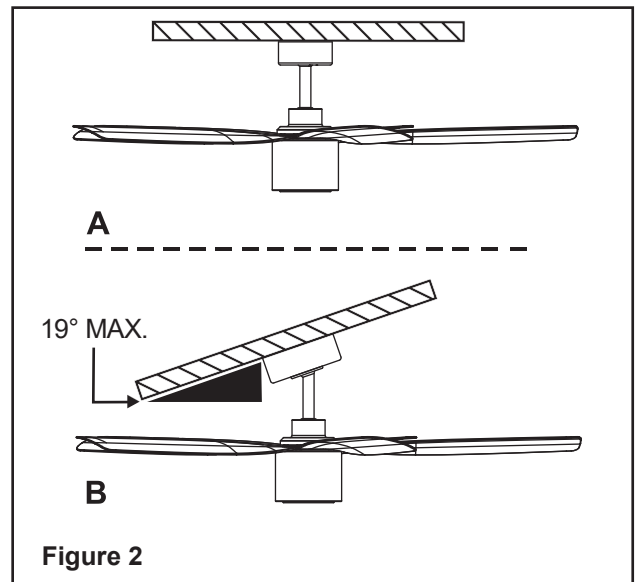


Figure 2

3. Check to make sure blades (G) will be at least 30 in. from any obstruction and at least 7 ft. above the floor. (Figure 3)

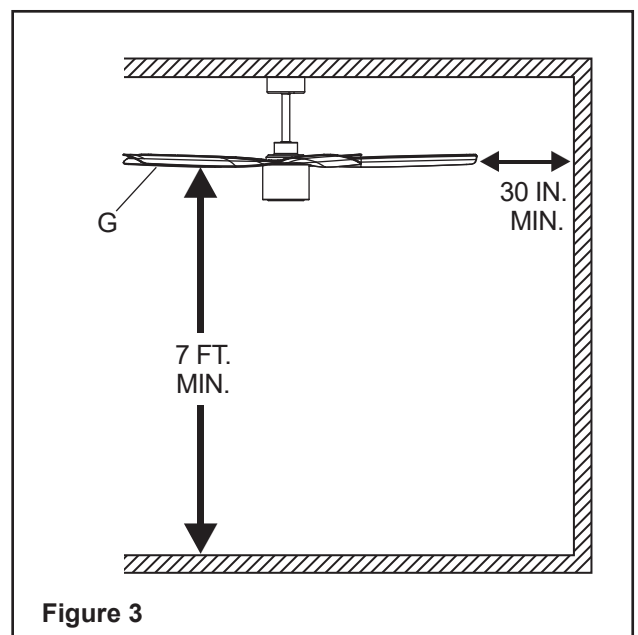
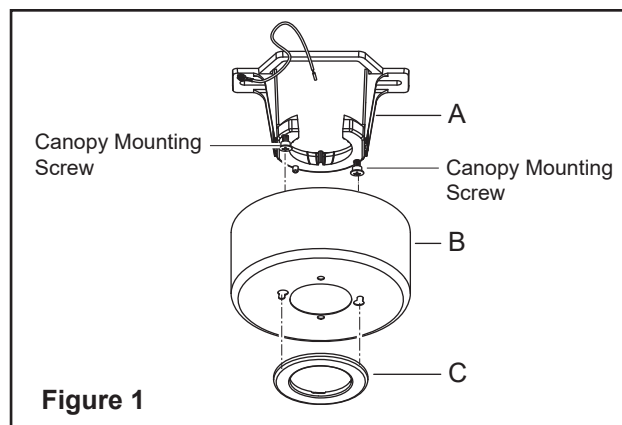


Figure 3

How to Assemble Your Ceiling Fan

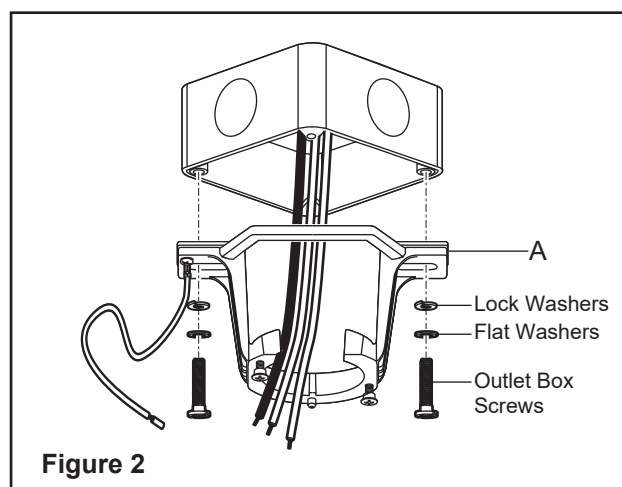
- 1. Remove the canopy bottom cover (C) from the canopy (B) by turning the canopy bottom cover (C) counterclockwise.

Remove the mounting bracket (A) from the canopy (B) by loosening canopy mounting screws a half turn from the screw head. Next, turn the canopy (B) counterclockwise to remove the mounting bracket (A) from the canopy (B). (Figure 1)



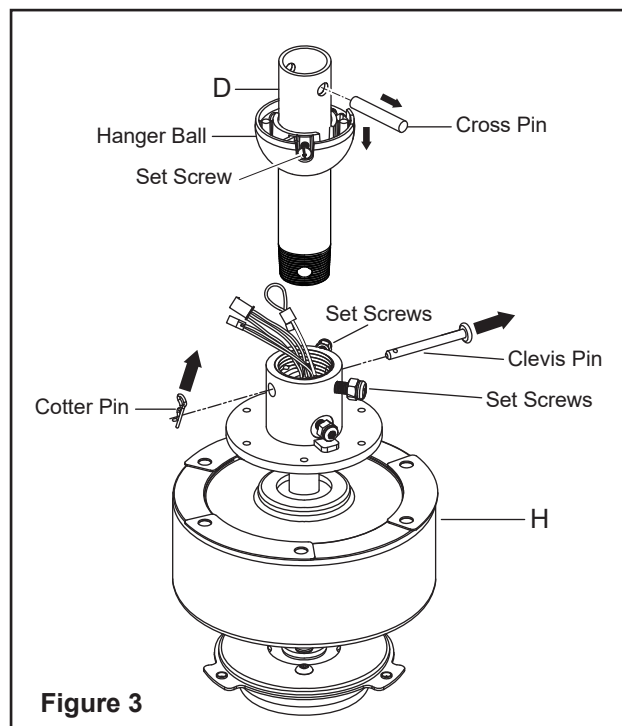
- 2. Pass the 120 volt supply wires through the center hole in the mounting bracket (A). Install the mounting bracket (A) to the outlet box with the screws and washers provided with your outlet box. Securely tighten the two mounting screws. (Figure 2)

NOTE: It is very important you use the proper hardware when installing the mounting bracket (A) as this will support the fan.



- 3. Flip the motor. Remove the cotter pin and clevis pin, and loosen the two collar set screws from the motor collar. (Figure 3)

Take out the set screw located in the hanger ball, lower the hanger ball and remove the cross pin. Remove the hanger ball from the hanger ball/downrod assembly (D).

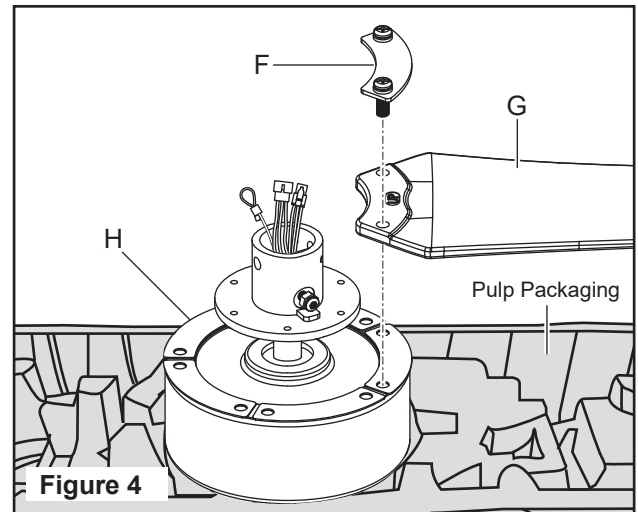


How to Assemble Your Ceiling Fan (continued)

4. Begin by using the original product packaging to create a base to hold the fan. Place the fan motor assembly (H) with the bottom facing up. (Figure 4)

Bring a fan blade (G) to the motor and ensure that “UP” sticker is facing upwards. Slide the blade (G) into the slot on the motor and align with those holes underneath.

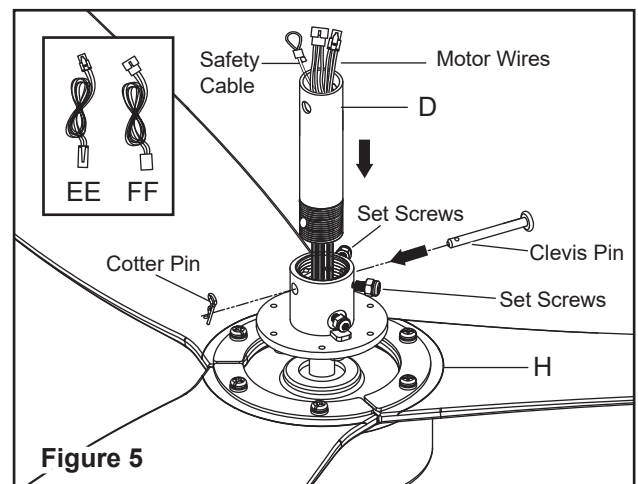
Place a blade support plate with screws (F) over the holes and tighten all screws securely. Repeat these steps for the remaining blades. (G)



5. Carefully feed the motor wires and safety cable up through the downrod (D). Thread the downrod (D) into the collar. Align the holes and replace the clevis pin and cotter pin. Tighten the two collar set screws. (Figure 5)

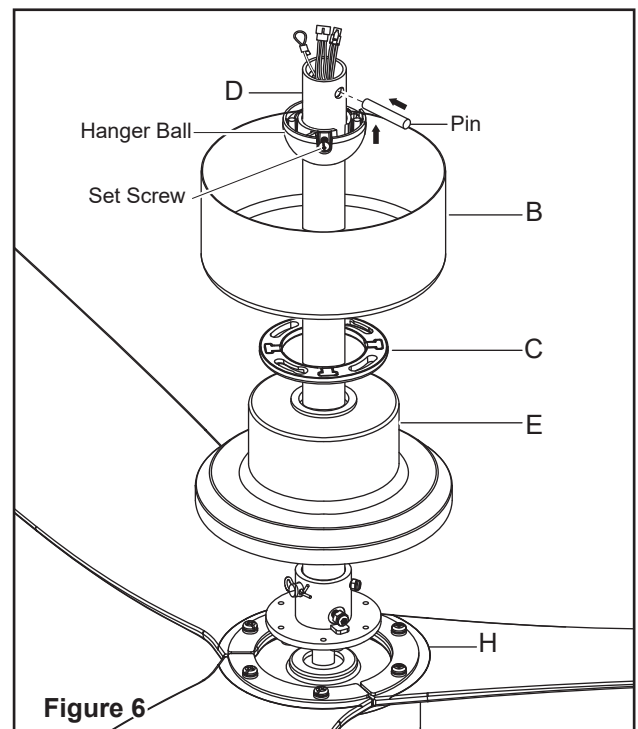
NOTE: If a longer downrod (not included) is needed, Be sure to snap together the 2-pin and 3-pin connectors, the two male plugs from the fan and female plugs from the extension cords (EE and FF).

⚠ WARNING
It is critical that the clevis pin in the downrod support is properly installed and the set screws and nuts are securely tightened. Failure to do so could result in the fan falling.



6. Slip the coupling cover (E), the canopy bottom cover (C), and the canopy (B) onto the downrod (D). (Figure 6)

Carefully reinstall the hanger ball onto the downrod (D). Being sure that the pin is in the correct position, the set screw is tightened and wires are not twisted.

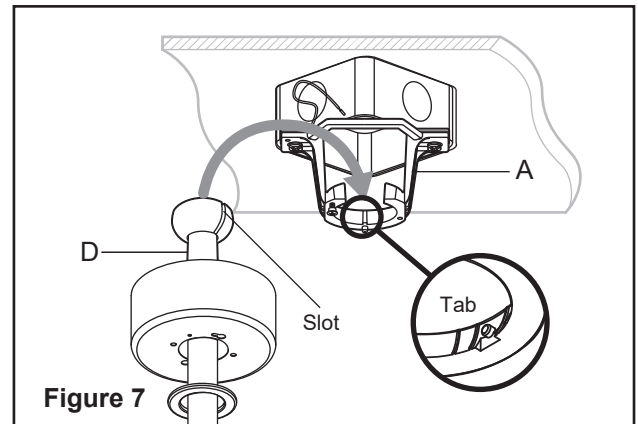


How to Assemble Your Ceiling Fan (continued)

7. Carefully lift the fan motor assembly (H) up to the mounting bracket (A) and seat the downrod assembly (D) in the mounting bracket (A) socket. Make sure the tab on the mounting bracket (A) socket is properly seated in the groove in the hanger ball/downrod assembly (D). This will help to balance the ceiling fan. (Figure 7)

⚠ WARNING

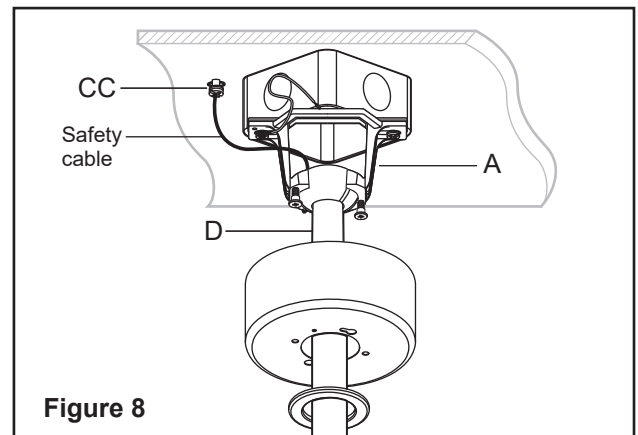
The tab in the ring must rest in the groove of the hanger downrod assembly (D). Failure to properly seat the tab in the groove could cause damage to the wiring.



8. Secure the safety cable screw, lock washer and flat washer (CC) to the building structure independent to the outlet box. Loop the safety cable around the safety cable screw that was just attached to ceiling joist. Tighten the safety cable screw. The safety cable should be in a stress-free state after installation. (Figure 8)

Hardware Used

CC Safety cable screw, lock washer and flat washer x 1



How to Wire Your Ceiling Fan

⚠ WARNING

Check to see that all connections are tight, including ground, and that no bare wire is visible at the wire nuts, except for the ground wire.

⚠ CAUTION

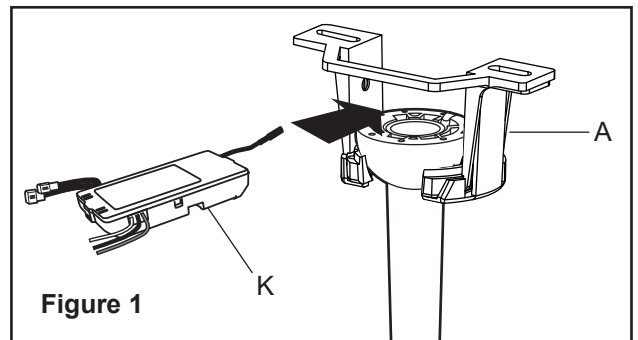
To reduce the risk of electric shock, this fan must be installed with an isolating wall control/switch.

⚠ CAUTION

Do not use with a wall light dimmer switch.

NOTE: The fan must be installed at a maximum distance of 20 ft. from the remote control for proper signal transmission between the remote control and the fan's receiving unit.

NOTE: Leave the antenna inside the canopy and make sure it is not obstructed or damaged.



How to Wire Your Ceiling Fan (continued)

⚠ WARNING

To avoid possible electrical shock, be sure electricity is turned off at the main fuse box before wiring.

1. Push the antenna wire through the mounting bracket (A) and insert the narrow end of the receiver (K) into the slide-on mounting bracket (A) until it rests on top of the ball/downrod assembly. (Figure 1)

If you feel you do not have enough electrical wiring knowledge or experience, have your fan installed by a licensed electrician.

Follow the steps below to connect the fan to your household wiring. Use the plastic wire nuts (AA) with your fan. Secure the plastic wire nuts (AA) with electrical tape. Make sure there are no loose strands or connections.

2. Make wire connections from the fan to the receiver (K). (Figure 2)

From Fan	To Receiver
2-pin connector-----	2-pin connector
3-pin connector-----	3-pin connector

3. Make wire connections from the receiver (K) and fan to the outlet box as follows, using the wire nuts (AA). (Figure 2)


From Receiver	To Outlet Box
Black wire "AC in L" -----	Black wire (hot)
White wire "AC in N" -----	White wire (neutral)

From Fan and Receiver	To Outlet Box
Green wires* -----	Green or bare wire (ground)

* There are three green grounding leads: one from the mounting bracket (A), one from the downrod assembly (D) and one from the receiver (K).

4. Turn the wire nut connections upward, spreading them apart so the green (ground) and white wires will be on one side of the outlet box and the black wire will be on the other side. Carefully tuck wires into the outlet box space above the receiver or evenly around the sides of the hanger bracket. (Figure 2)

Hardware Used

AA Wire Nut  x 3

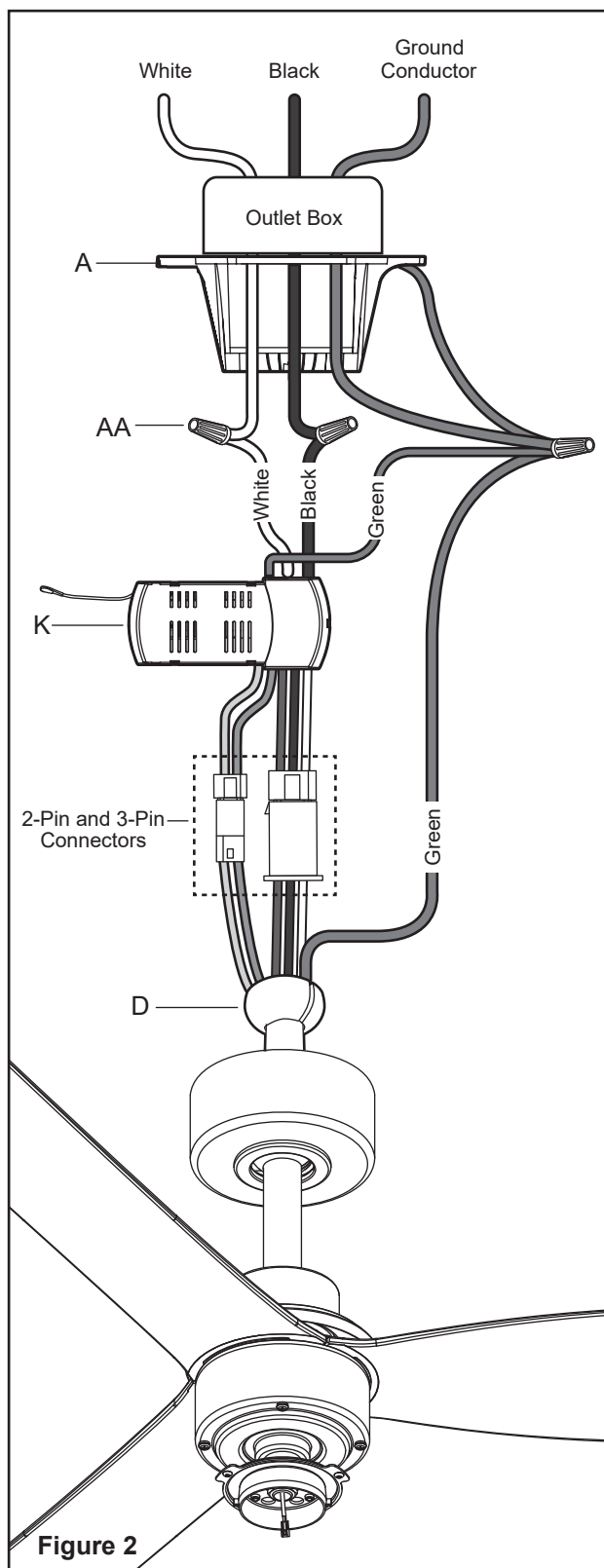


Figure 2

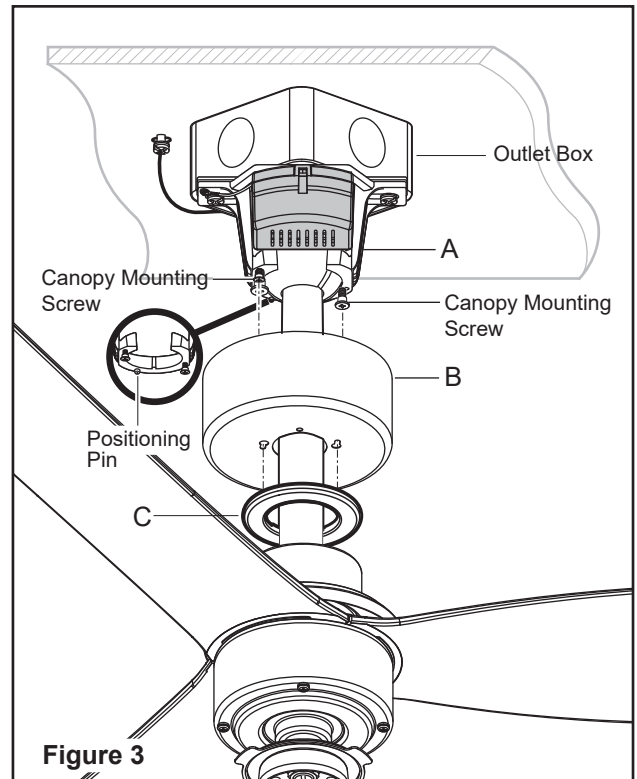
How to Wire Your Ceiling Fan (continued)

5. Make sure connections are neatly tucked into the ceiling outlet box. (Figure 3)

Slide the canopy (B) up to the mounting bracket (A) and place the key holes on the canopy (B) over the loose canopy mounting screws on the mounting bracket (A). Turn the canopy (B) clockwise until it locks in place at the narrow section of the key holes, and tighten the two canopy mounting screws.

Attach the canopy bottom cover (C) to the canopy (B) by inserting the screw heads into the key slots in the canopy bottom cover (C) and rotating it clockwise.

NOTE: Adjust the canopy mounting screws as necessary until the canopy (B) and canopy bottom cover (C) are snug.

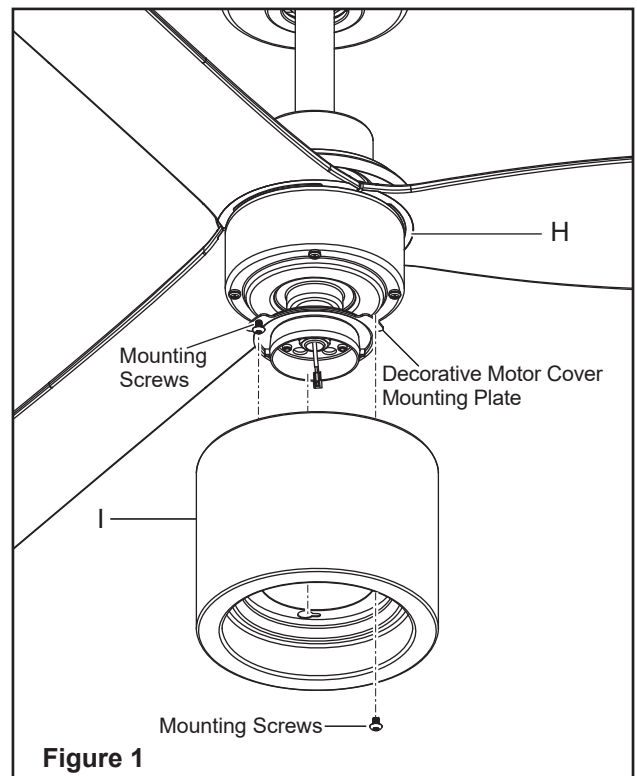


How to Install Your Decorative Motor Cover

1. Remove one of the three decorative motor cover mounting screws from the decorative motor cover mounting plate and loosen the other two screws. (Do not remove.)

Place the key holes in the decorative motor cover (I) over the two screws previously loosened from the decorative motor cover mounting plate. Turn the decorative motor cover (I) until it locks in place at the narrow section of the key holes.

Securely tighten the two decorative motor cover mounting plate screws previously loosened and the one previously removed.



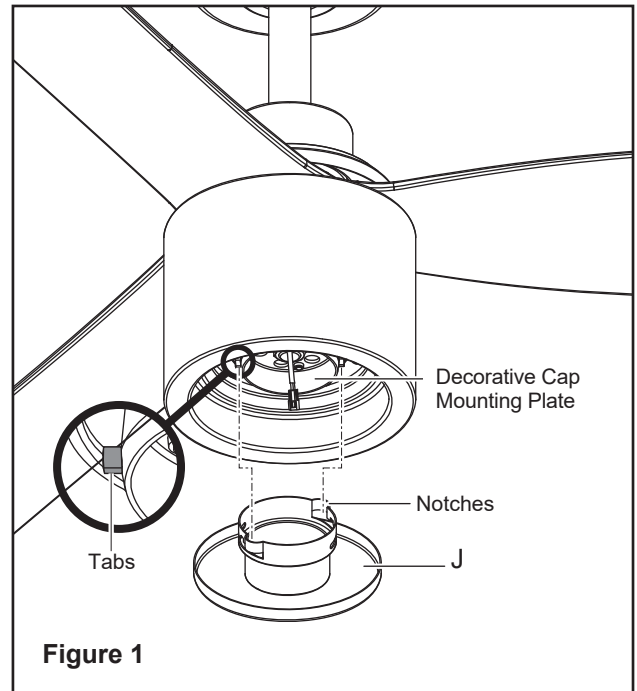
How to Install Your Decorative Cap

⚠ CAUTION

Before starting installation, disconnect the power by turning off the circuit breaker or removing the fuse at the fuse box. Turning power off using the fan switch is not sufficient to prevent electric shock.

1. Position the notches on the inner edge of the decorative cap (J) so they match the tabs on the outside of the rim on the decorative cap mounting plate. Carefully lift the decorative cap (J) inside the decorative cap mounting plate and secure it to the fan by turning the decorative cap (J) clockwise until snug.

NOTE: If the decorative cap (J) can be twisted by hand, it means the decorative cap (J) is not twisted completely till the right position. Keep twisting the decorative cap (J) till it is firmly in place.



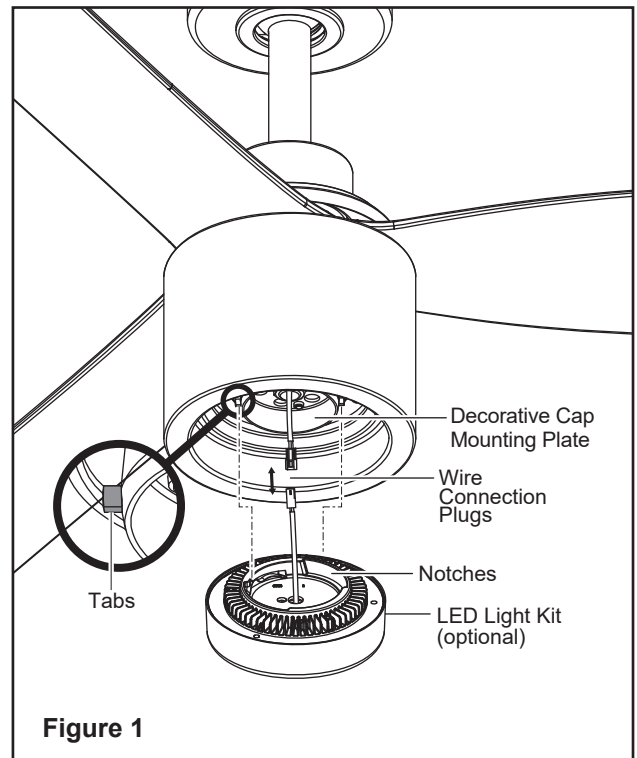
How to Install Your LED Light Kit (optional)

⚠ CAUTION

Before starting installation, disconnect the power by turning off the circuit breaker or removing the fuse at the fuse box. Turning power off using the fan switch is not sufficient to prevent electric shock.

1. While holding the LED light kit (optional) under the fan motor assembly (H), snap together the wire connection plugs :
White to white
Black to blue
2. Position the notches on the inner edge of the LED light kit (optional) so they match the tabs on the outside of the rim on the decorative cap mounting plate. Carefully lift the LED light kit inside the decorative cap mounting plate and secure it to the fan by turning the LED light kit clockwise until snug.

NOTE: If the LED light kit (optional) can be twisted by hand, it means the LED light kit is not twisted completely till the right position. Keep twisting the LED light kit till it is firmly in place.



How to Operate Your Ceiling

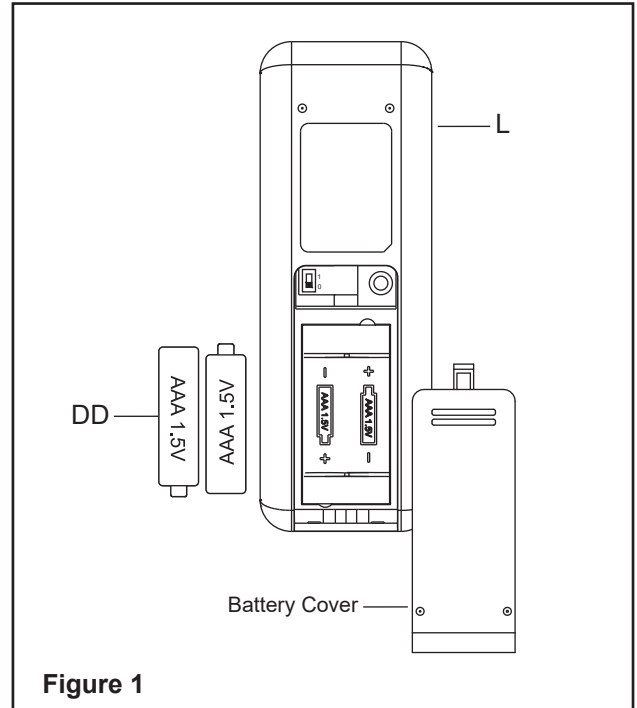
1. Remove the battery cover by pressing firmly on the arrow and sliding the cover off.

Install two 1.5V AAA batteries (DD) (included). Batteries are to be inserted with the correct polarity.

Slide the battery cover on the remote control till it click in place.

NOTE: The remote control (L) has been pre-paired in the factory for your convenience.

NOTE: Batteries will weaken with age and should be replaced before leaking takes place as this will damage the remote control (L). Dispose used batteries properly and keep them out of the reach of children. Do not dispose batteries in fire. Batteries may explode or leak. Do not mix old and new batteries. Do not mix alkaline, standard (carbon - zinc), or rechargeable (nickel-cadmium) batteries. Exhausted batteries are to be removed from the product. Non-rechargeable batteries are not to be recharged.



Hardware Used

DD 1.5V AAA battery  x 2

How to Operate Your Ceiling (continued)

Learning Process

⚠ IMPORTANT

This fan has been pre-paired at the factory and the fan can be used now. If you have two or more fans, please follow steps below to control each fan independently. Also follow steps below to re-pair the remote control (L) and the receiver when needed.

NOTE: The dip switch in the battery compartment has been set on "0" position for your convenience. If you want to re-pair the remote control (L), please set the dip switch on "1" position.

2. To add a remote control to your fan's memory, use the steps below:

Ensure AC power to the fan is OFF to begin the learning process.

Slide the dip switch in the battery compartment to the "1" position.

Turn the fan's AC power ON.

Within 1 minute of turning AC power on, press and release the "**LEARN**" button located in the remote's battery compartment to enter the learning function. The fan blades will start to spin.

The fan will now accept commands from the added remote.

If you would like to set the dip switch back to the "0" position after a learning, please re-pair the remote control (L) by following the learning process again.

NOTE: If installing multiple fans on separate remotes, only the fan being programmed should have AC power turned ON. All other fans, even if they have already been programmed, should have AC power OFF so they do not memorize other remotes during the learning process. Separate the fan power switches by approximately 2 meters.

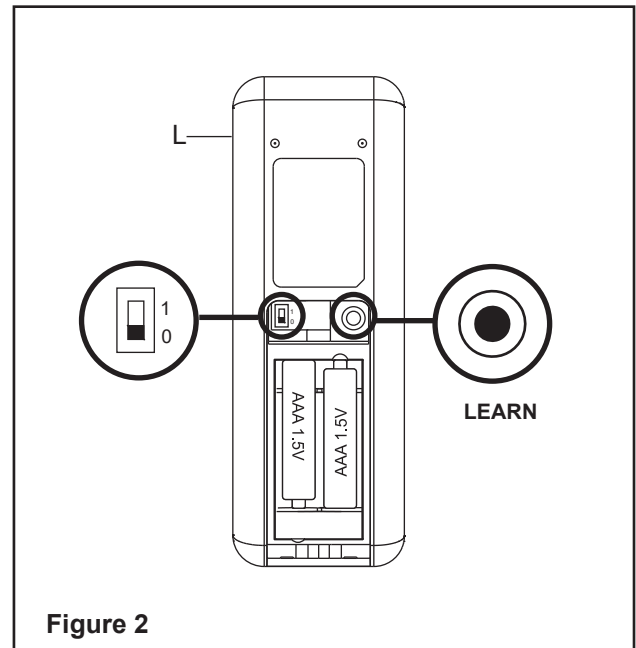



Figure 2

How to Operate Your Ceiling (continued)

3. 0 Power OFF: Press and release the power button to turn the fan off. (Figure 3)


1, 2, 3, 4, 5, 6 Speed functions:


- 1 = for fan MINIMUM speed
- 2 = for fan LOWER speed
- 3 = for fan LOW speed
- 4 = for fan MEDIUM speed
- 5 = for fan HIGH speed
- 6 = for fan MAXIMUM speed

 button: Controls rotation of the entire fan direction.

2H and 6H Timer:

Pressing the timer button will automatically turn fan off after 2 or 6 hours. To cancel the timer settings, press and release the “0” button.

 Light ON/OFF and Dimming: (optional)
Press and release the button to turn the light on or off. Press and hold the button to activate the dimmer function.

 Light Color Temperature: (optional)
Press and release the button to cycle through the five color temperature options.
Option 1: 2700K (Warm White)
Option 2: 3000K (Soft White).
Option 3: 3500K (Neutral White)
Option 4: 4000K (Bright White).
Option 5: 5000K (Daylight).

Warm weather - (Counter-clockwise Direction) A downward air flow creates a cooling effect. This allows you to set your air conditioner on a warmer setting without affecting your comfort. (Figure 4)

Cool weather - (Clockwise Direction) An upward air flow moves warm air off the ceiling. This allows you to set your heating unit on a cooler setting without affecting your comfort. (Figure 5)

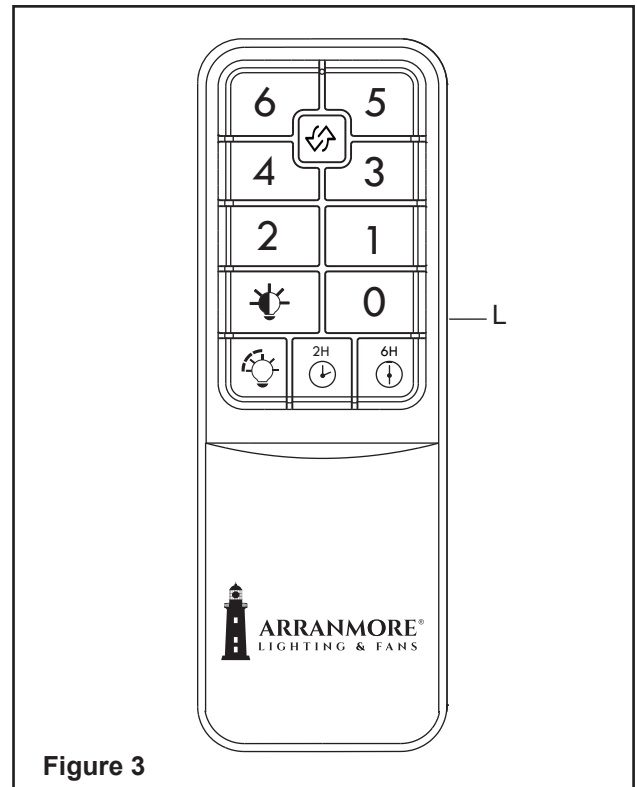


Figure 3

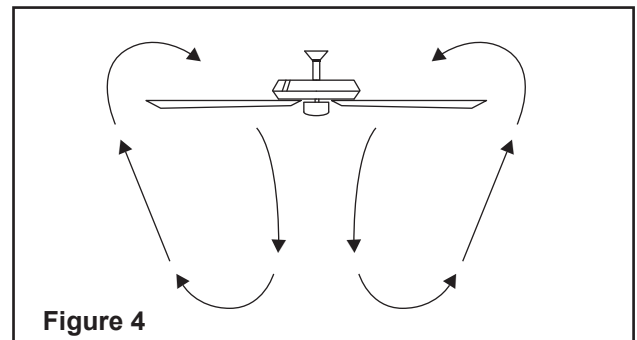


Figure 4

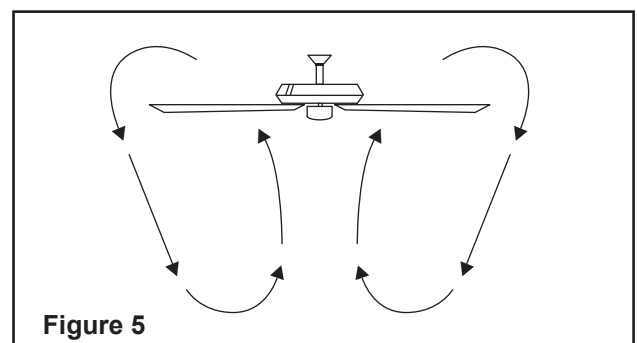
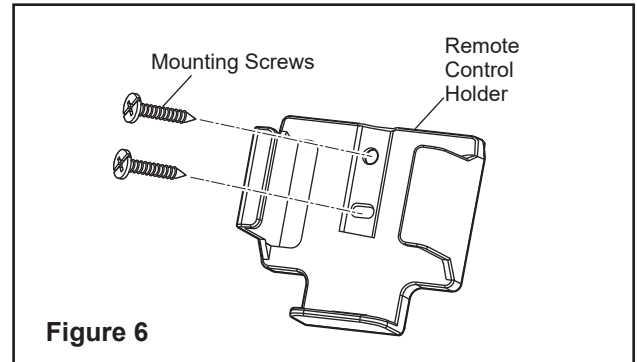


Figure 5

How to Operate Your Ceiling (continued)

Installing the Remote Control Holder

- Attach the remote control holder with the two remote control holder mounting screws. (Figure 6)



Care and Maintenance

- Check the support connections, brackets, and blade attachments twice a year. Make sure they are secure. Because of the fan's natural movement, some connections may become loose over time. It is not necessary to remove the fan from the ceiling. Clean your fan periodically. Use only a soft brush or lint-free cloth to avoid scratching the finish. The plating is sealed with a lacquer to minimize discoloration or tarnishing.

 IMPORTANT
Shut off main power supply before beginning any maintenance. Do not use water or a damp cloth to clean the ceiling fan.

Troubleshooting

 WARNING

Before beginning work, shut off the power supply to avoid electrical shock.

PROBLEM	POSSIBLE CAUSE	CORRECTIVE ACTION
Fan does not move.	<ol style="list-style-type: none"> 1. Reverse switch not engaged. 2. Power is off or fuse is blown. 3. Faulty wire connection. 4. Plugs not connected properly. 	<ol style="list-style-type: none"> 1. Push switch firmly either left or right. 2. Turn power on or check fuse. 3. Turn power off. Loosen canopy and check all connections. 4. Check that wire nuts from fan and receiver to the outlet box are connected properly according to instructions on page 10.
Noisy operation.	<ol style="list-style-type: none"> 1. Blades are loose. 2. Cracked blade. 3. Full range dimmer switch. 4. Fan is new. 	<ol style="list-style-type: none"> 1. Tighten all blade screws. 2. Replace blade. 3. Replace with an approved speed control device. 4. Allow fan a "break in" period of a few days, especially when running the fan at Medium and High speeds.
Excessive wobbling.	<ol style="list-style-type: none"> 1. Blades are loose. 2. Blade arms incorrectly attached. 3. Unbalanced blades. 4. Fan not securely mounted. 5. Fan too close to vaulted ceiling. 6. Set screw(s) on motor housing yoke is (are) not tightened properly. 7. Set screw on hanging ball is not tightened properly. 	<ol style="list-style-type: none"> 1. Tighten all blade screws. 2. Re-install blade arms. 3. Switch one blade with a blade from the opposite side. Or balance the fan using a blade balancing kit (sold separately). 4. Turn power off. Carefully loosen canopy and verify that mounting bracket is secure. 5. Use a longer downrod or move fan to another location. 6. Tighten yoke set screw(s) securely. 7. Carefully loosen and lower canopy and verify that set screw on hanging ball is tightened securely.
Fan operates but light fails. (light kit optional)	<ol style="list-style-type: none"> 1. Wires in canopy not wired properly. 2. Wall switch to fan is off. 3. Plugs not connected properly. 	<ol style="list-style-type: none"> 1. Check wires in canopy and, if necessary, re-wire according to instructions on page 10. 2. Make sure that wall switch to fan is on. 3. Check that male and female plugs in light kit are connected properly according to instructions on page 12.

NOTE: A small amount of "wobble" is normal and should not be considered a defect.

How to Order Repair Parts

** Insert FINISH CODES (Refer to fan model number located on canopy)

Before discarding packaging material, be certain all parts have been removed.

HOW TO ORDER REPAIR PARTS

When ordering repair parts, always give the following information:

- Part Number
- Part Description
- Fan Model Number

Contact Arranmore Support for replacement parts at Support@Arranmorelighting.com.

Parts List Model No. AR-3001xx-52

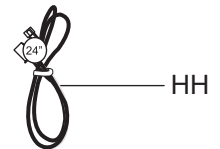
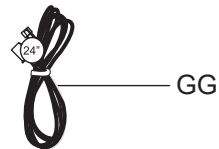
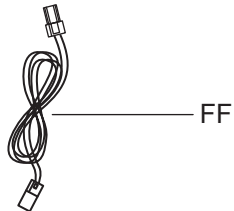
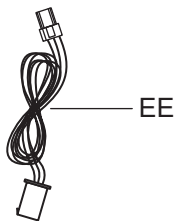
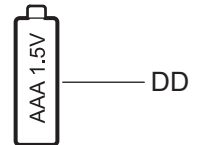
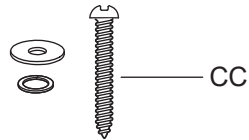
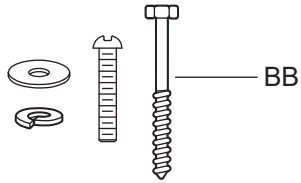
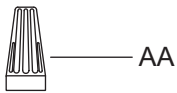
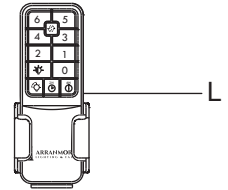
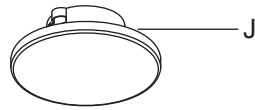
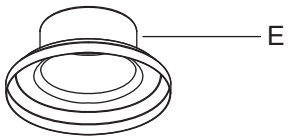
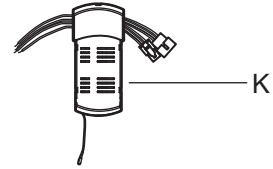
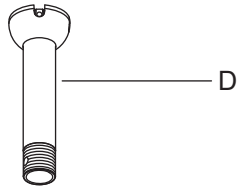
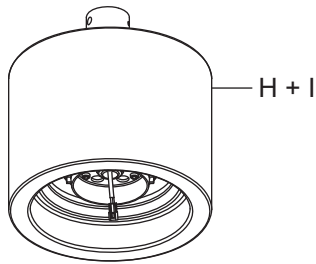
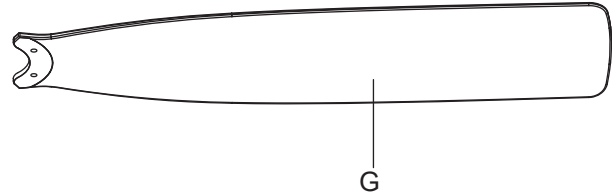
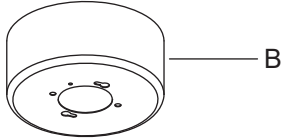
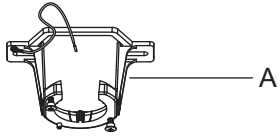
Reference #	Description	AR Part#
A	Mounting bracket (preassembled)	AR-MB1
B	Canopy	AR-CPY-XX
C	Canopy bottom cover (preassembled)	AR-CPYBC-XX
D	Downrod	AR-DRA-XX
E	Coupling cover	AR-CCVR-XX
F	Blade support plate with screws and lock washers	AR-BSP-3BL-XX
G	Blade	AR-BLADE-352-XX
H + I	Fan motor assembly + Decorative motor cover	DCS-15NS-1-3DR-XX
J	Decorative cap	AR-DECAP-XX
K	Receiver + 4 wire nuts	AR-REC-300152
L	Remote control + holder + 2 mounting screws	AR-REMCTRL
Reference #	Description	AR Part#
AA	Plastic wire nut	AR-WRNUIT
BB	Mounting screw, lock washer and flat washer	AR-MTGSET
CC	Safety cable screw, lock washer and flat washer	AR-SAFETYSET
DD	1.5V AAA battery	AR-BATTERY AAA
EE	42" 2-pin extension cord (only for use longer downrod up to 48")	AR-EXTENSION-2PIN-48
FF	42" 3-pin extension cord (only for use longer downrod up to 48")	AR-EXTENSION-3PIN-48
GG	▲ 24" 2-pin extension cord (sold separately) (only for use longer downrod up to 72")	AR-EXTENSION-2PIN-24
HH	▲ 24" 3-pin extension cord (sold separately) (only for use longer downrod up to 72")	AR-EXTENSION-3PIN-24

* XX = Color of parts

▲ sold separately

How to Order Repair Parts (continued)

Model No. AR-3001xx-52





Questions, problems, missing parts?

Contact Customer Service

e-mail us at

Support@Arranmorelighting.com

Retain this manual for future use.