
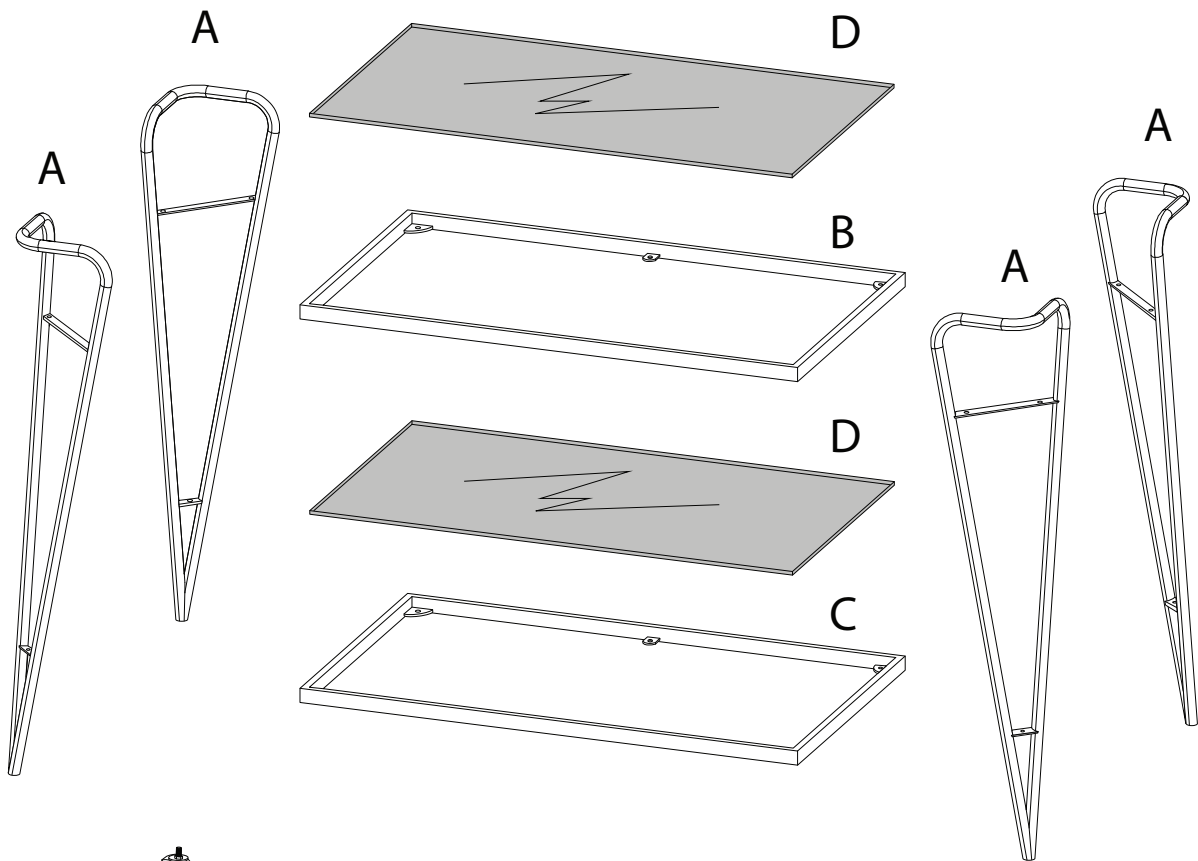



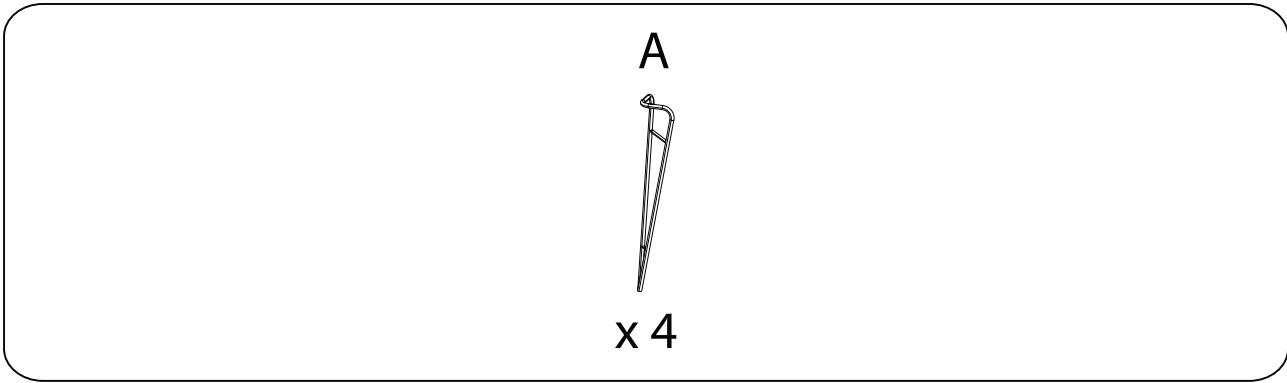
	<p>40'</p>
		
		<p>2</p>

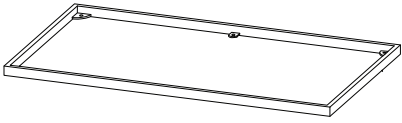


  
**F x 2**  


  
**E x 2**  


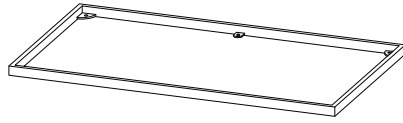


B



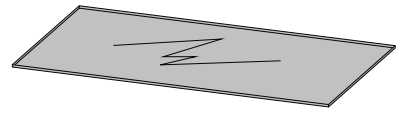
x 1

C



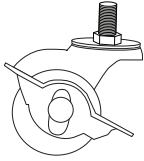
x 1

D



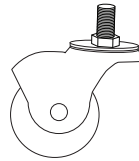
x 2

E



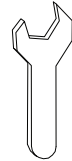
x 2

F



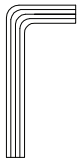
x 2

G



x 1

H



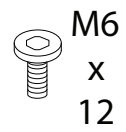
x 1

I



x 12

J



M6  
x  
12

x 12

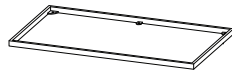
1

A



x 4

B



x 1

H

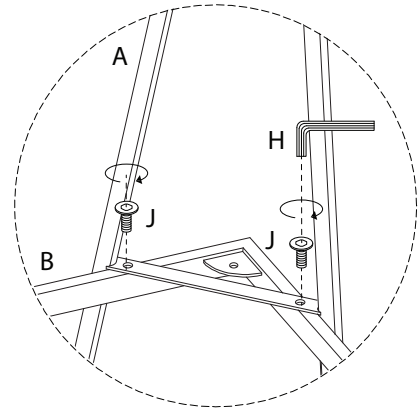
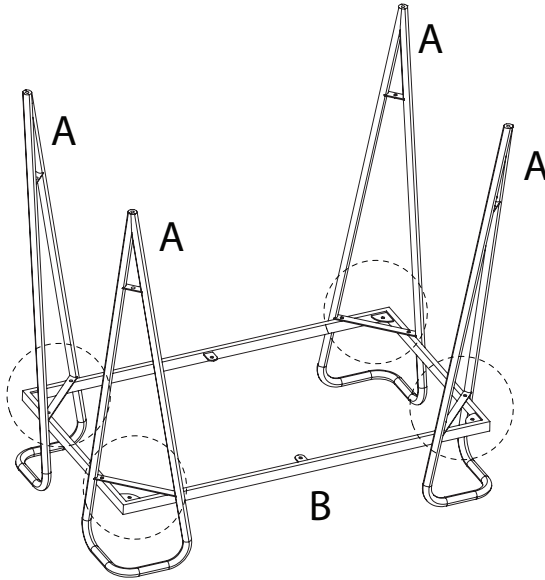


x 1

J

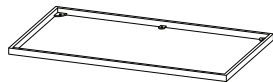


x 8



2

C



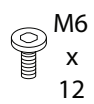
x 1

H

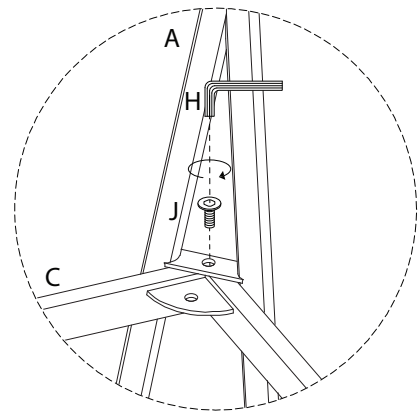
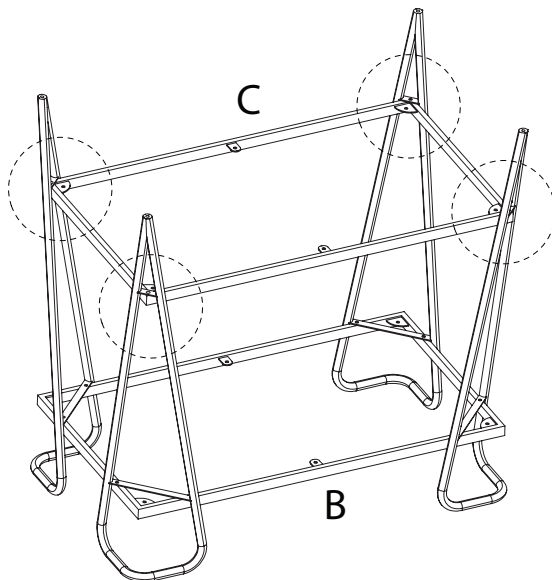


x 1

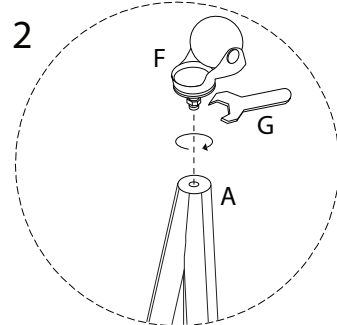
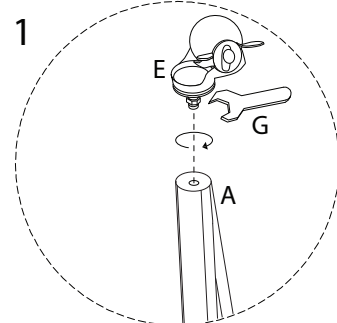
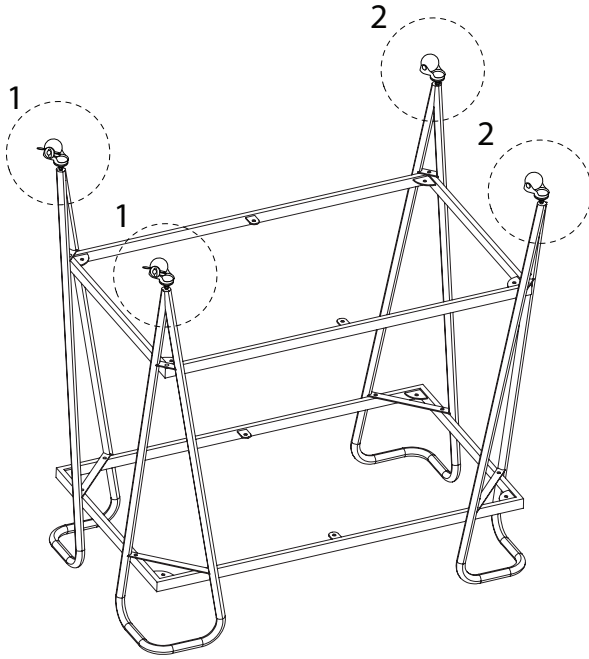
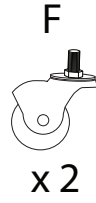
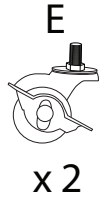
J



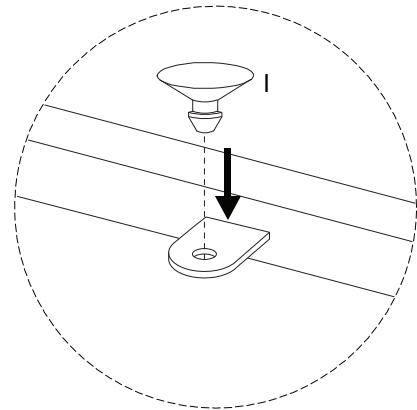
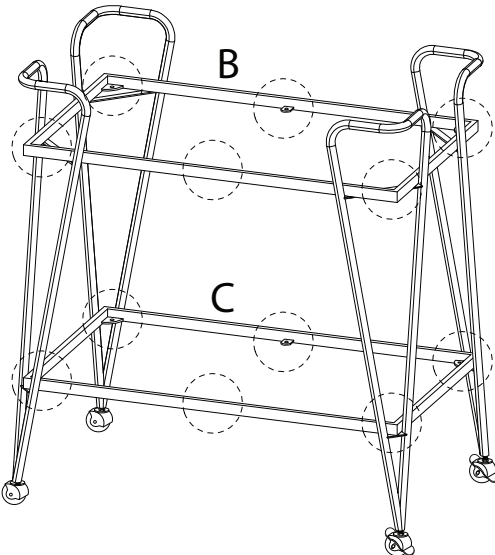
x 4



3



4



5

