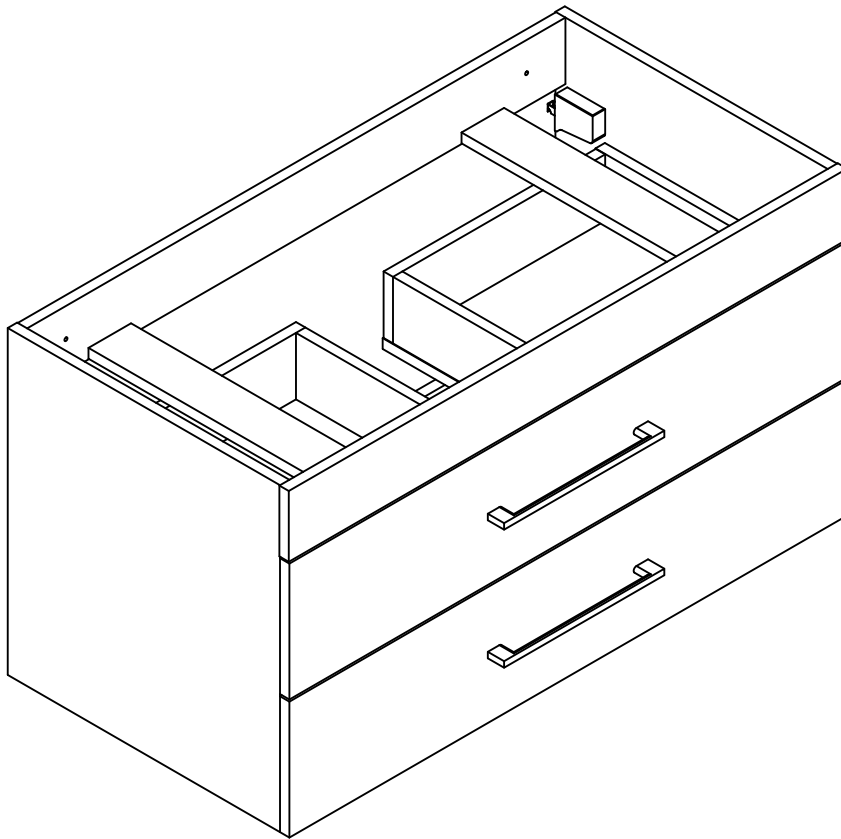

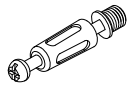
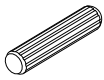
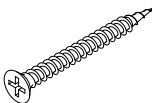
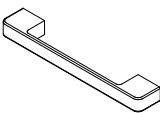


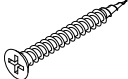
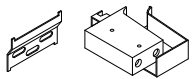


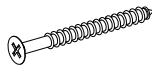
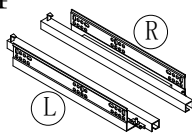


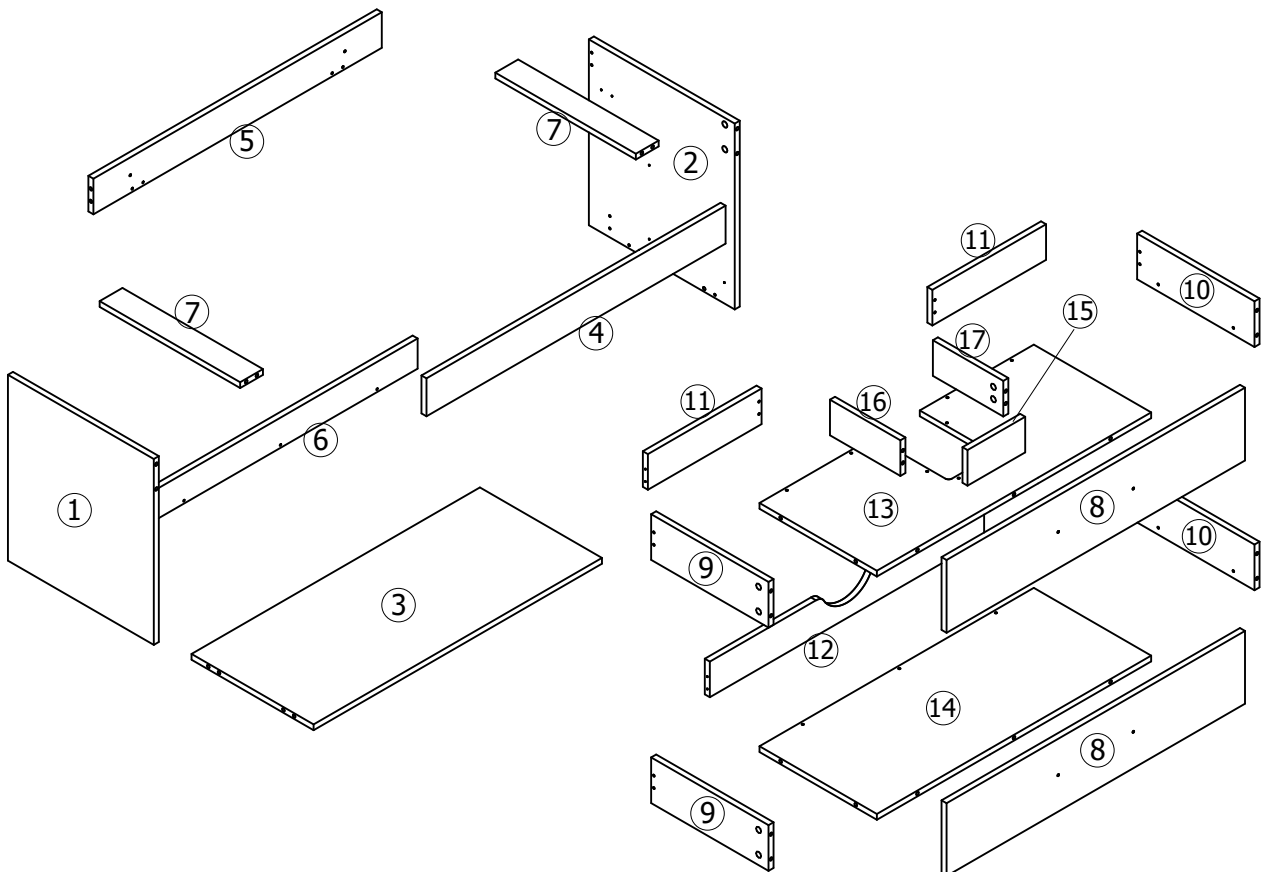
# Assembly Instructions

---



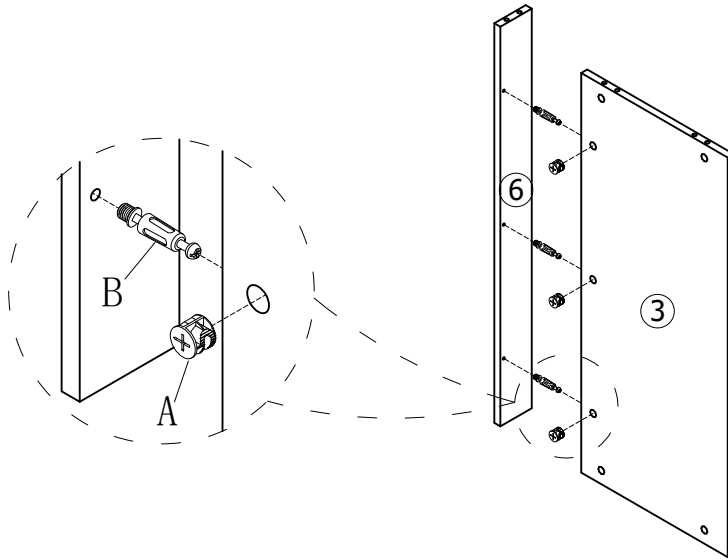
# Assembly Instructions

<p>Ø15x11</p>  <p>A x 53</p>	<p>Ø7x35</p>  <p>B x 53</p>	<p>Ø8x30</p>  <p>C x 4</p>	<p>Ø4x40</p>  <p>D x 25</p>
 <p>E x 2</p>	<p>M4x20</p>  <p>F x 4</p>	<p>Ø3.5x14</p>  <p>G x 20</p>	<p>Ø3.5x30</p>  <p>H x 4</p>
 <p>I x 2</p>	<p>Ø7.8x38</p>  <p>J x 8</p>	<p>Ø5x50</p>  <p>K x 6</p>	<p>Ø5x70</p>  <p>L x 2</p>
<p>14"</p>  <p>M x 2</p>			



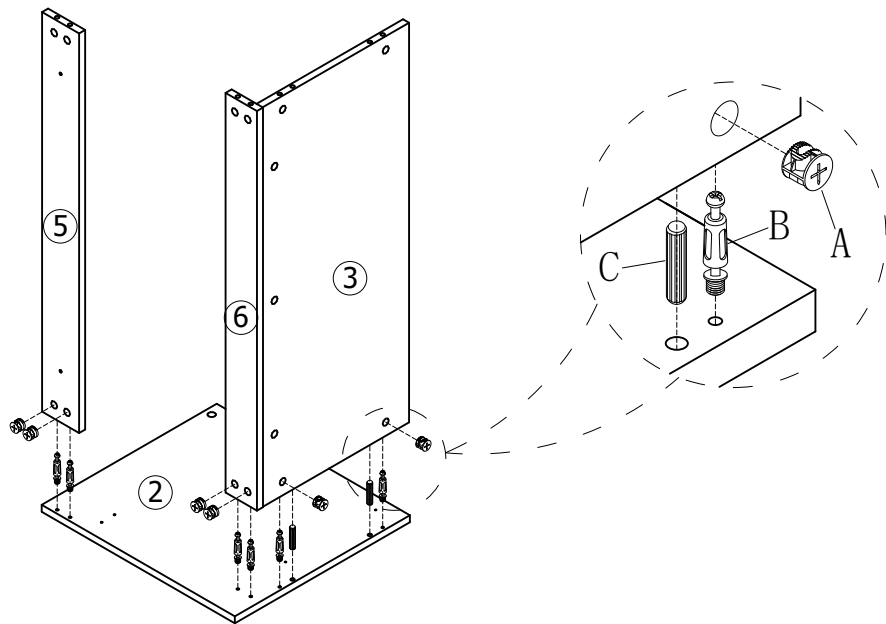
STEP 1

Ax3  
Bx3



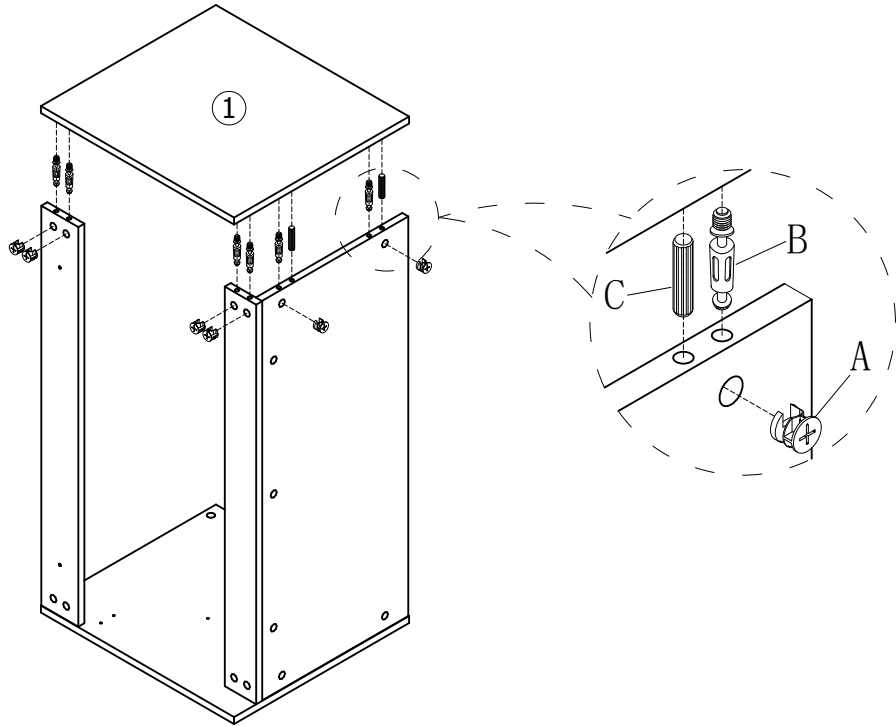
STEP 2

Ax6  
Bx6  
Cx2



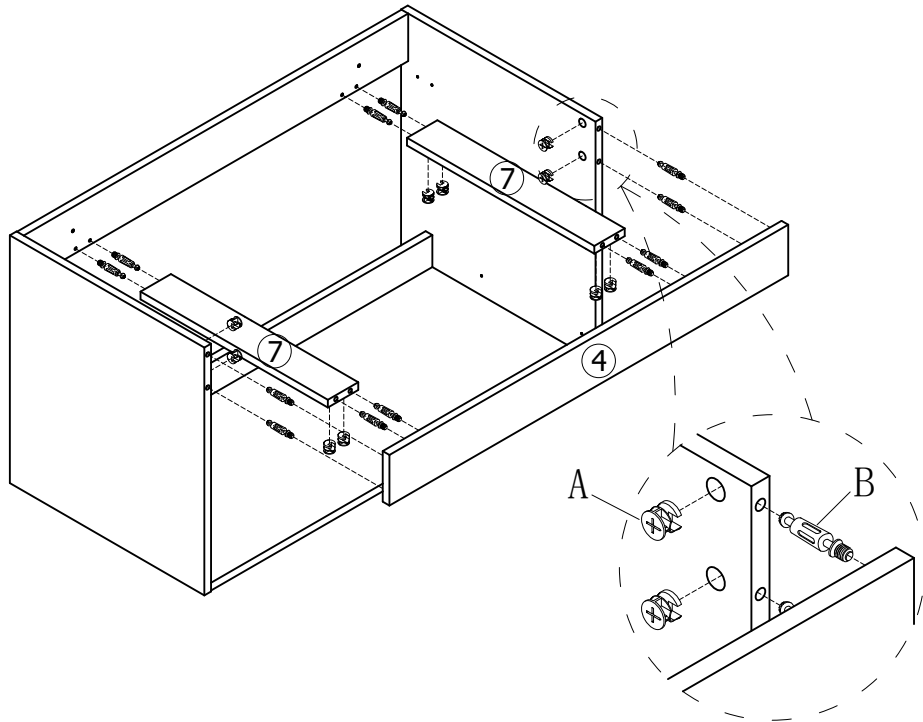
STEP 3

Ax6  
Bx6  
Cx2



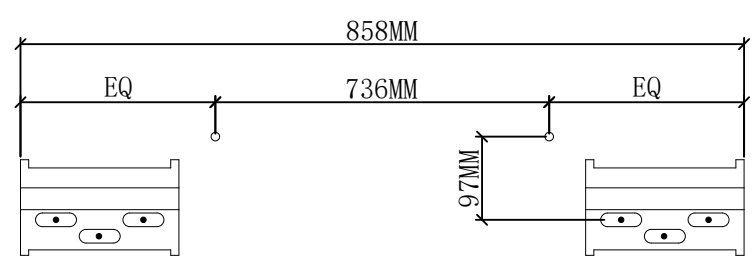
STEP 4

Ax12  
Bx12



STEP 5

- Hx4
- Ix2
- Jx8
- Kx6
- Lx2



1.

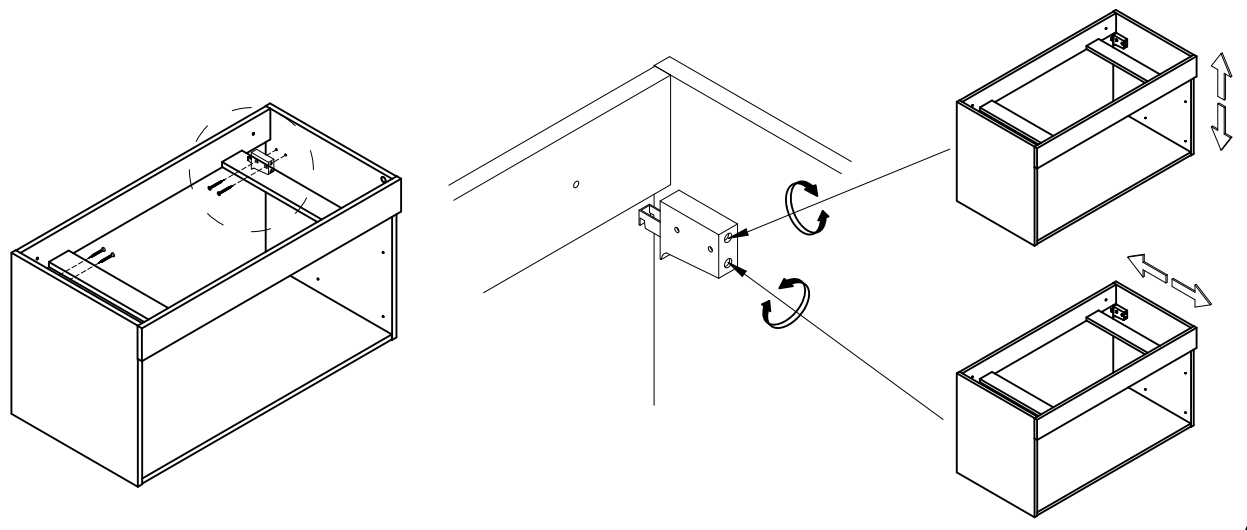
2.

3.

4.

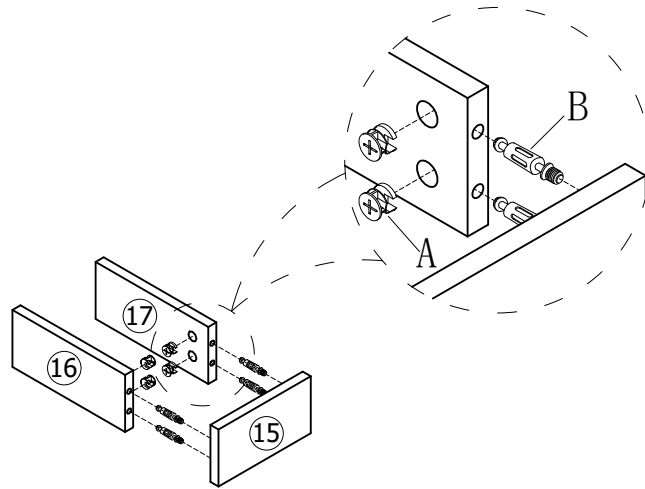
5.

6.



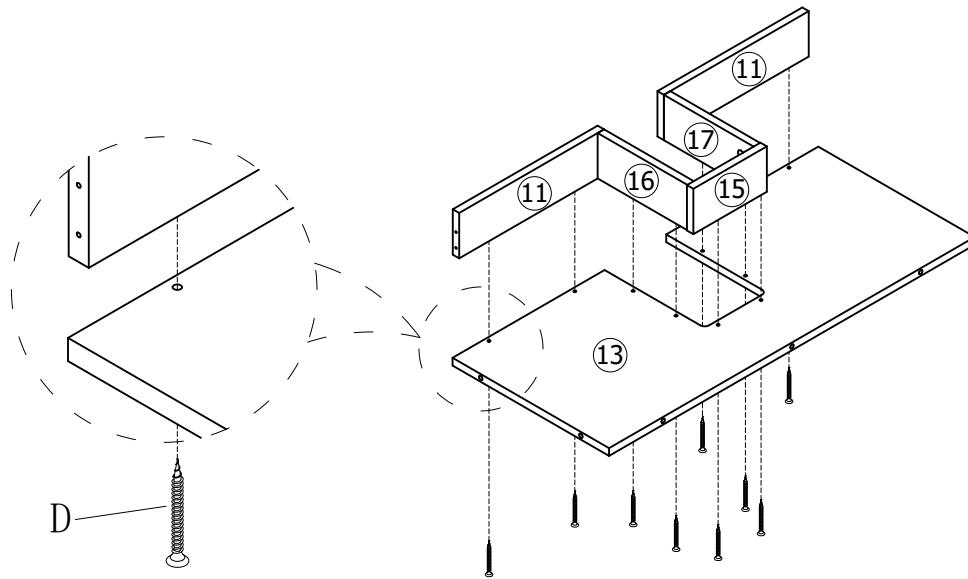
STEP 6

Ax4  
Bx4



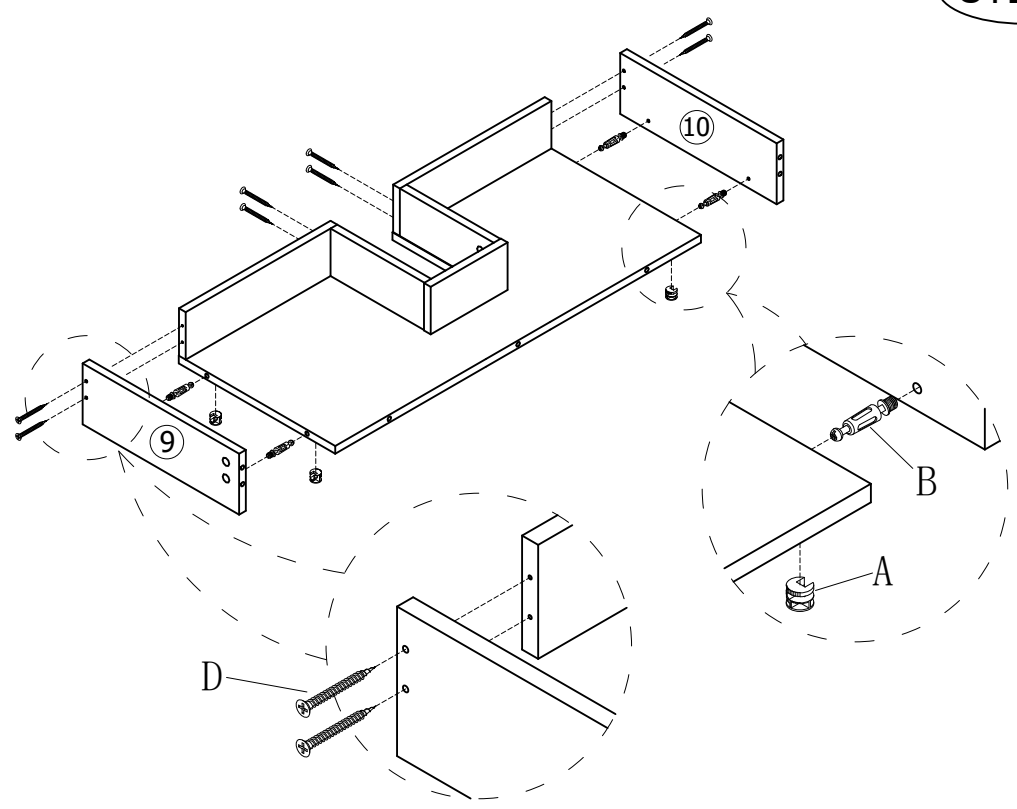
STEP 7

Dx10



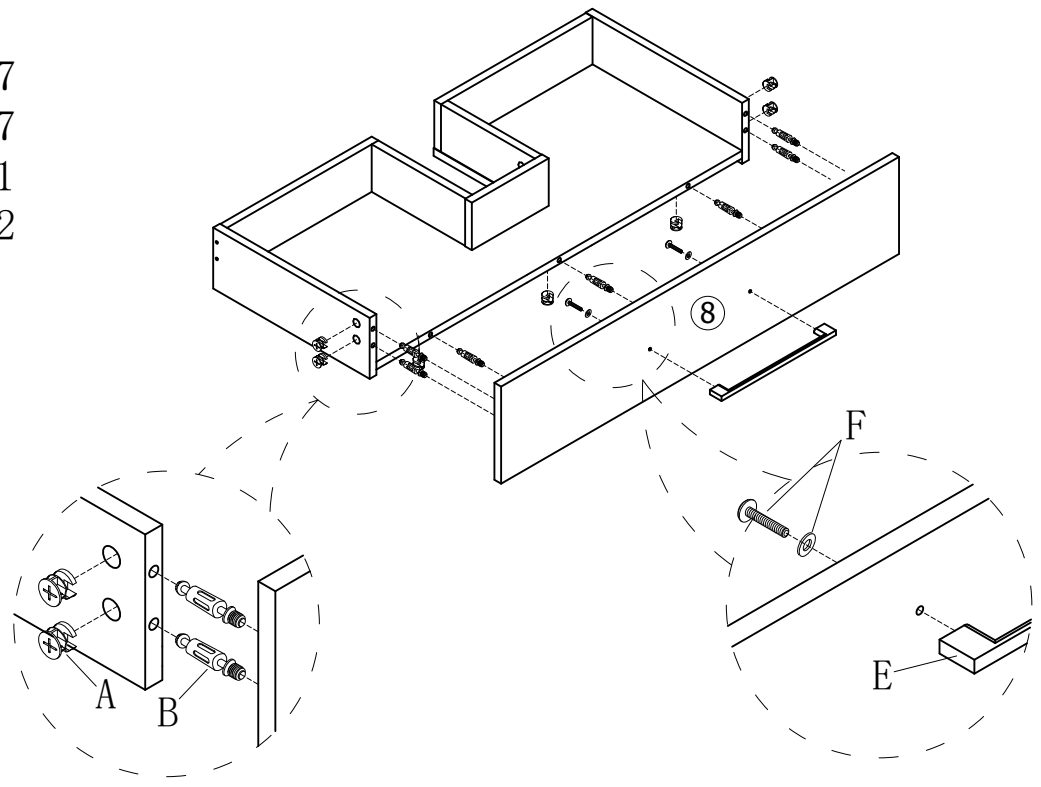
STEP 8

Ax4  
Bx4  
Dx8



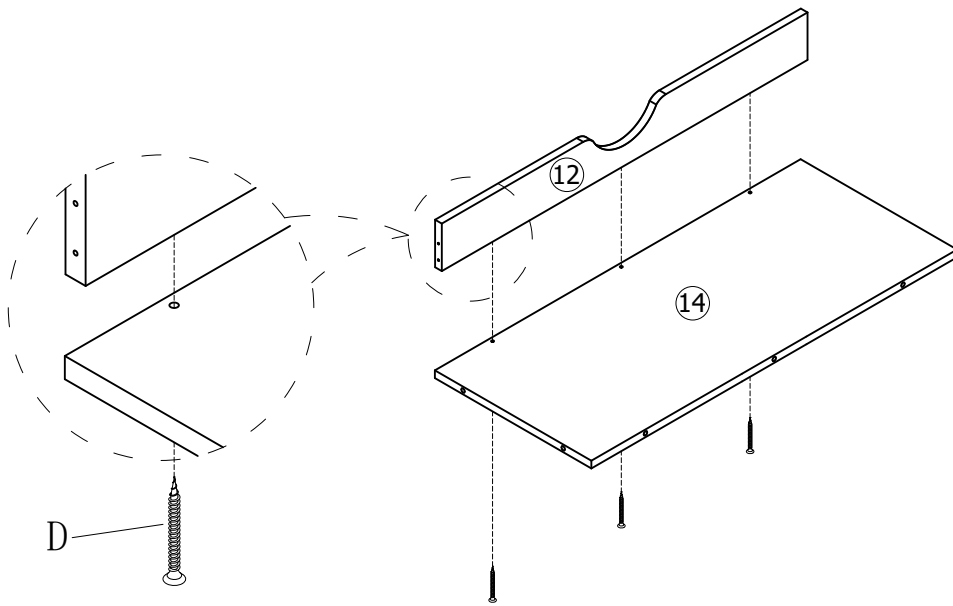
STEP 9

Ax7  
Bx7  
Ex1  
Fx2



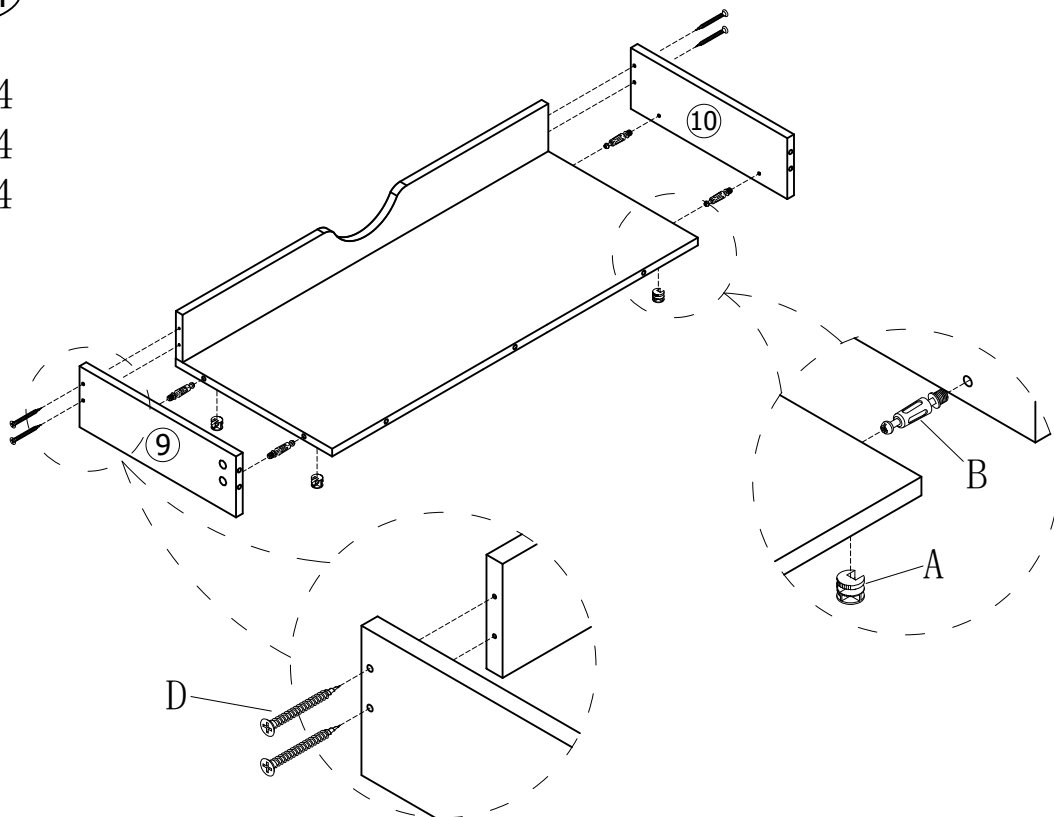
STEP 10

Dx3



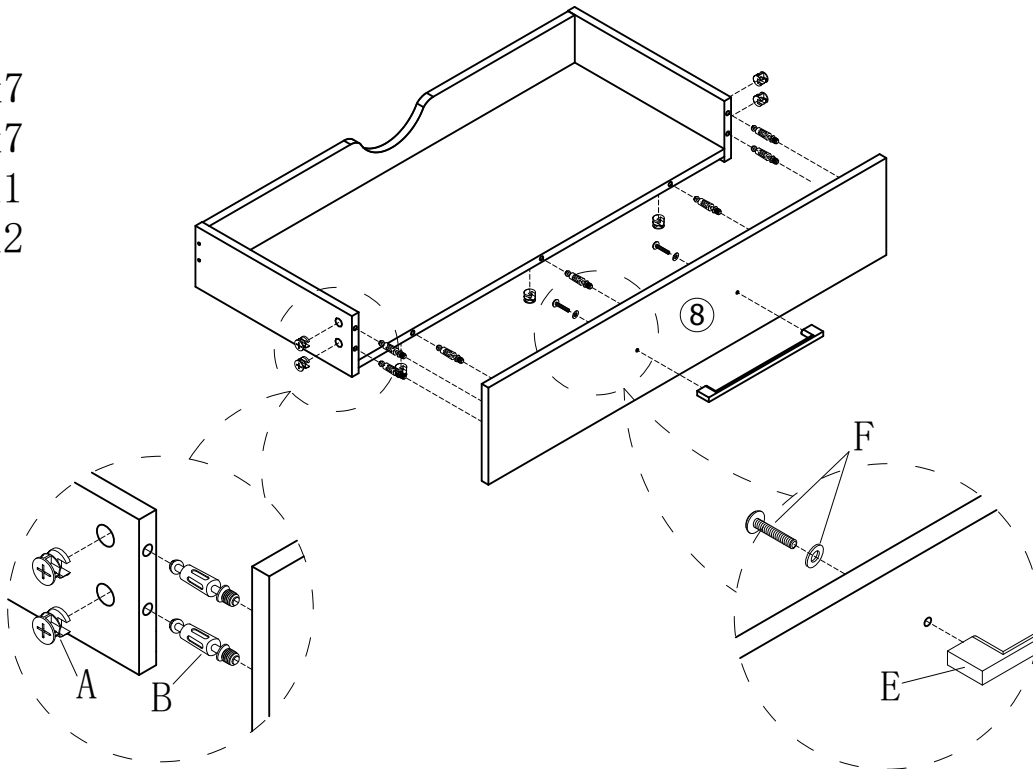
STEP 11

Ax4  
Bx4  
Dx4



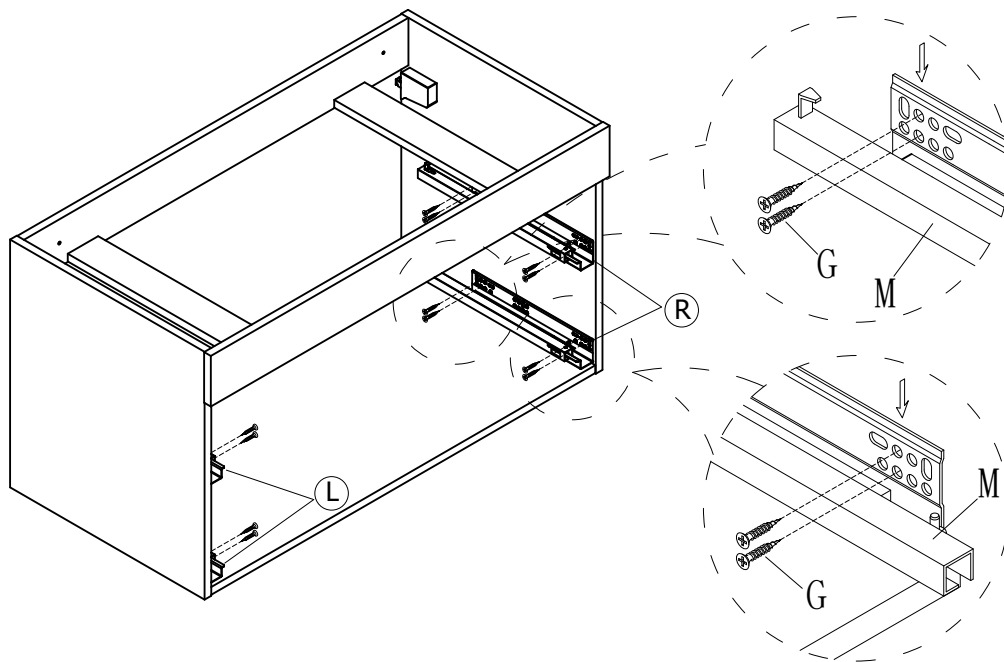
STEP 12

Ax7  
Bx7  
Ex1  
Fx2

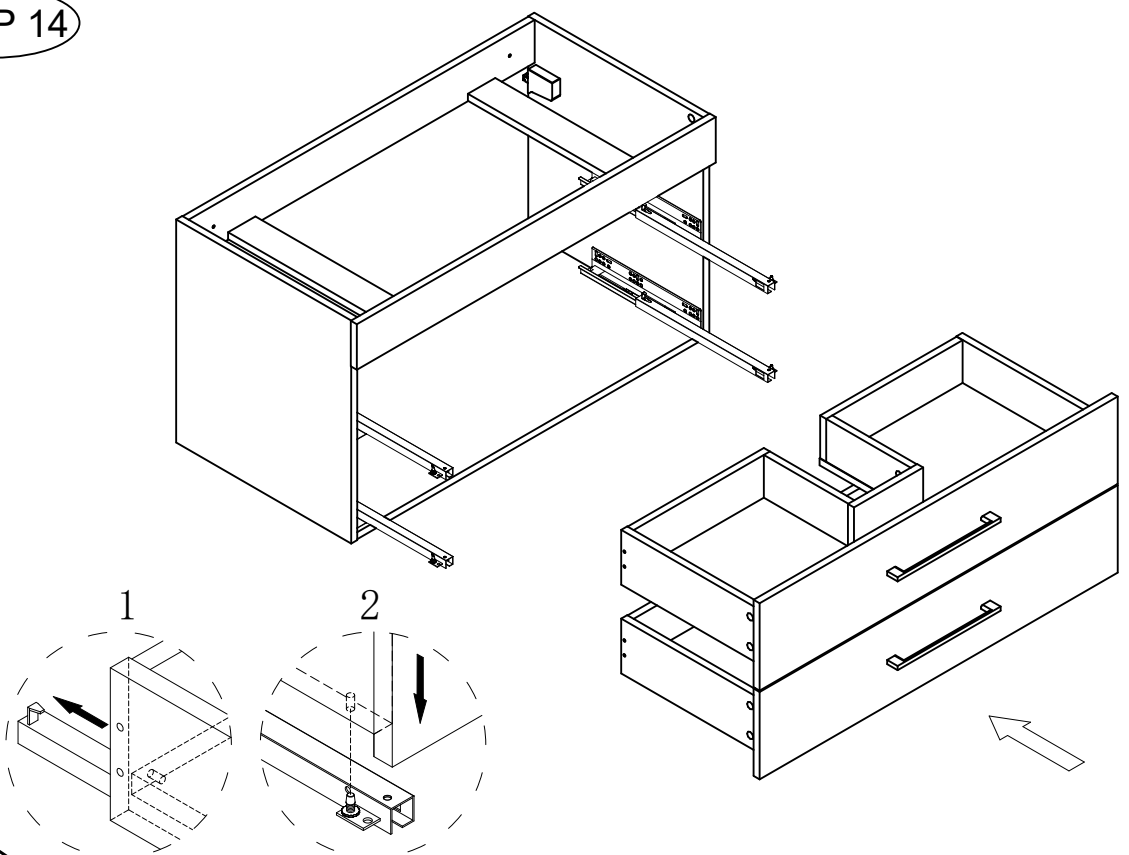


STEP 13

Gx16  
Mx2

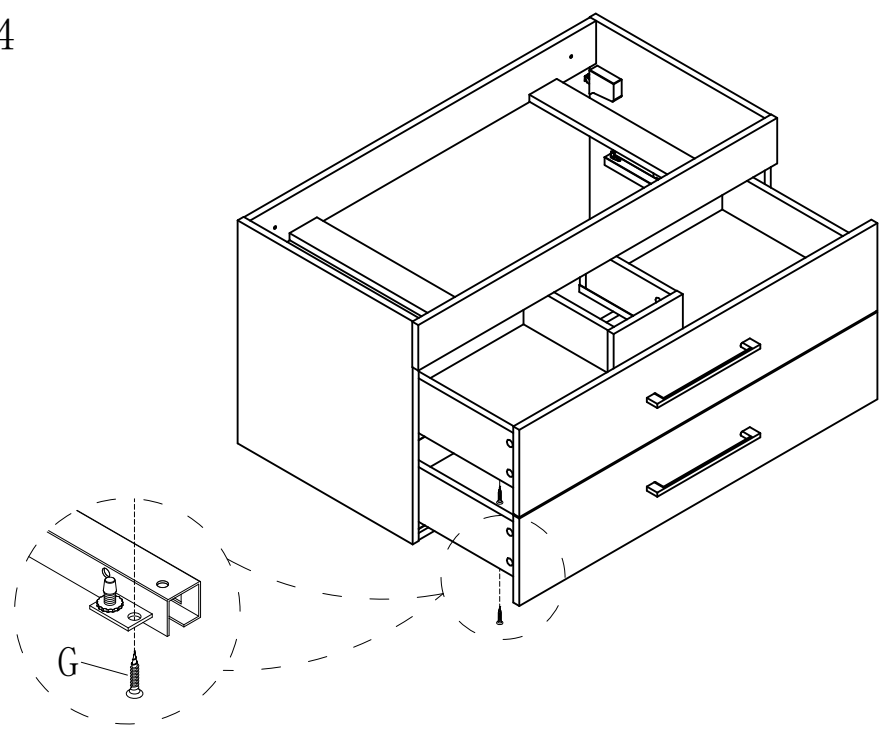


STEP 14

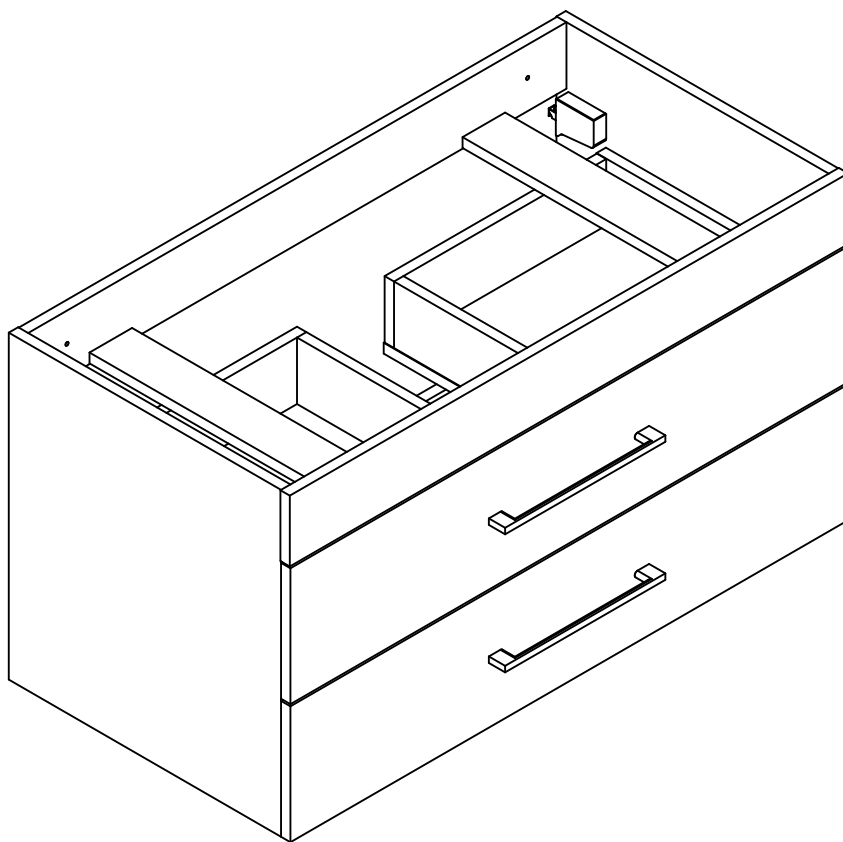


STEP 15

Gx4



STEP 16



FINISH