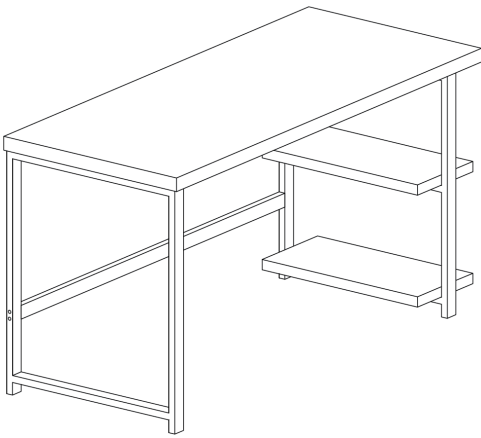


ASSEMBLY INSTRUCTION

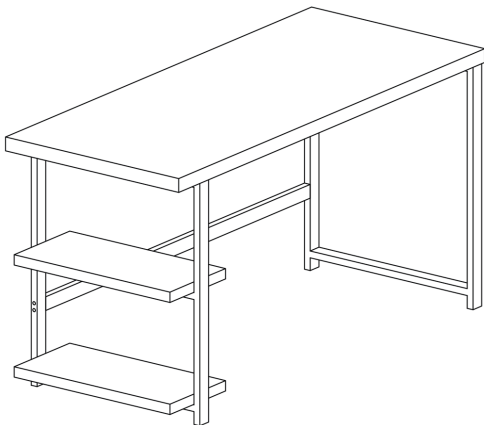
COMPUTER DESK

Important Note: The shelves can be installed on the right side or the left side. It is up to your preference.



If you want to install shelves on the **RIGHT SIDE**, please follow the instruction from **Page 4 to Page 5**.

Shelves on the RIGHT side



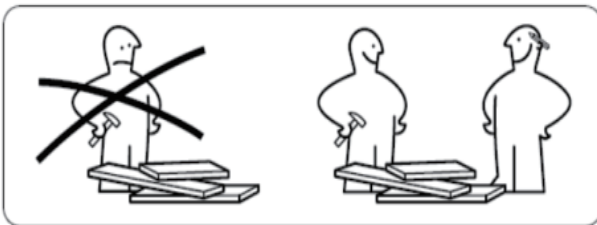
If you want to install shelves on the **LEFT SIDE**, please follow the instruction from **Page 6 to Page 7**.

Shelves on the LEFT side

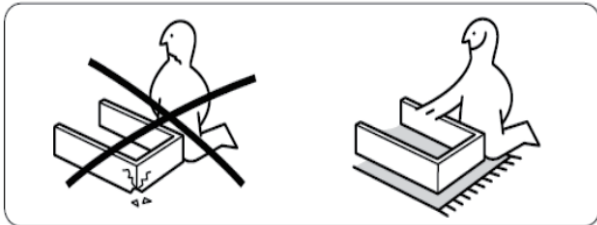
Thank you for purchasing Computer Desk. If any part is missing or damaged, please do not hesitate to contact us, we will send you the replacement immediately.

ASSEMBLY TIPS

1. Please read the assembly instructions first and become familiar with the parts.
2. Proper assembly of this item requires 2 people.



3. Unpack and assemble this unit in an spacious area, assemble the unit on top of the empty carton or carpet to prevent scratches.



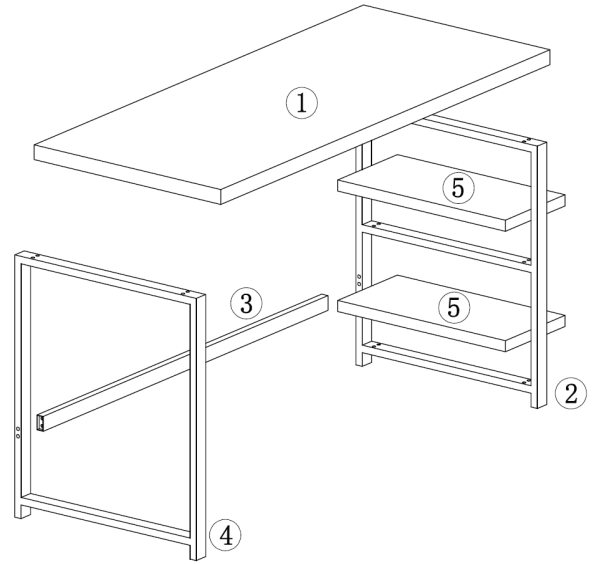
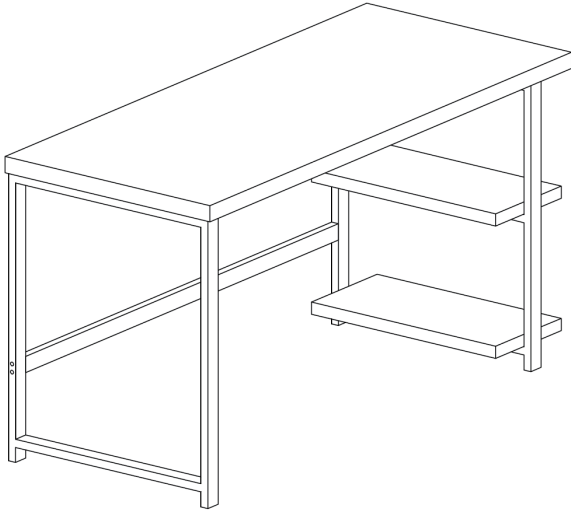
4. To avoid accidentally discarding small parts or hardware, DO NOT dispose of any contents until assembly is completed.
5. **Do not fully tighten all bolts until all parts are in place.** Failure to follow these instructions may cause the bolts to misalign during assembly.

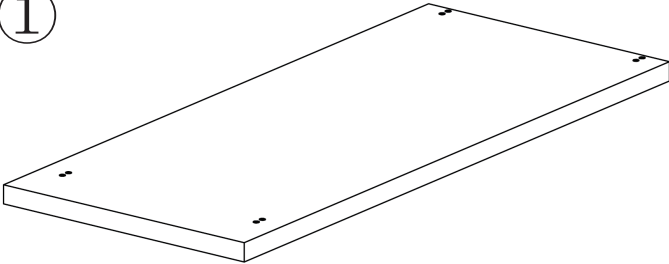
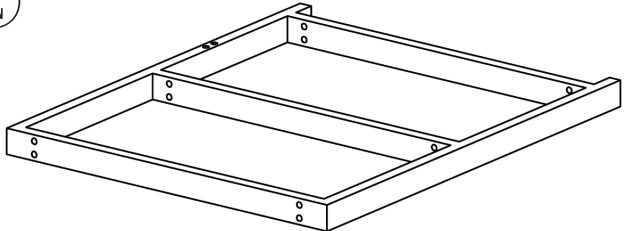
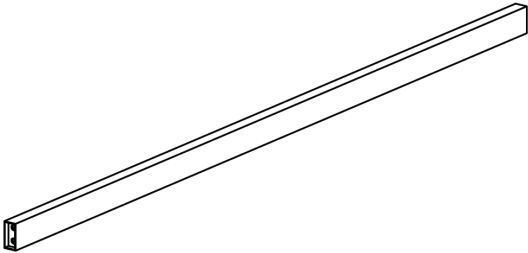
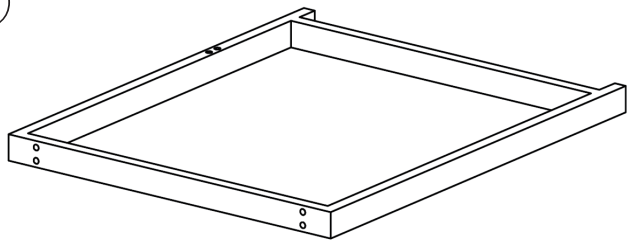
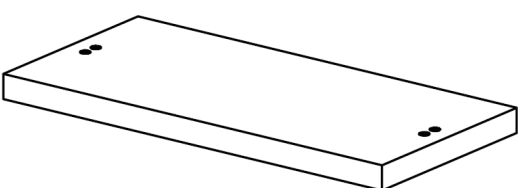



CARE INSTRUCTIONS

- (1) Hardware may loosen overtime. Periodically check that all connections are tight.
- (2) Wipe with a soft, dry cloth. To protect finish, avoid the use of chemicals and household cleaners.
- (3) All hot serving dishes should be placed on a pad.
- (4) Any liquid spilled onto the furniture should be cleaned up immediately with a dry cloth.

Part Identification

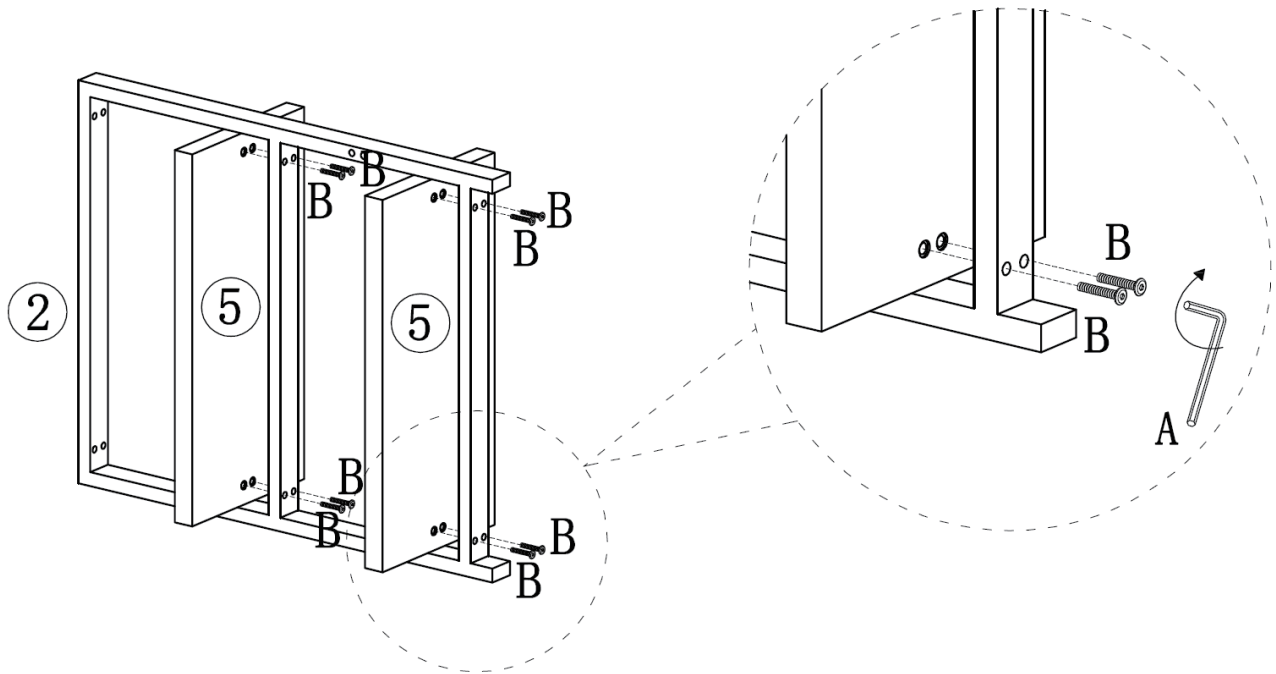
While not all parts are labeled, some of the parts will have a label to help distinguish similar parts from each other. Use this part identification to help identify similar parts.



<p>①</p>  <p>Table Top 1 pc</p>	<p>②</p>  <p>Metal Frame 1 pc</p>		
<p>③</p>  <p>Metal tube 1 pc</p>	<p>④</p>  <p>Metal Frame 1 pc</p>		
<p>⑤</p>  <p>Shelf 2 PCS</p>	<p>A</p>  <p>Allen Key 1PC</p>	<p>B</p>  <p>Ø6*35 mm Short screw 16 PCS</p>	<p>C</p>  <p>Ø6*60 mm Long screw 4 PCS</p>

Step 01

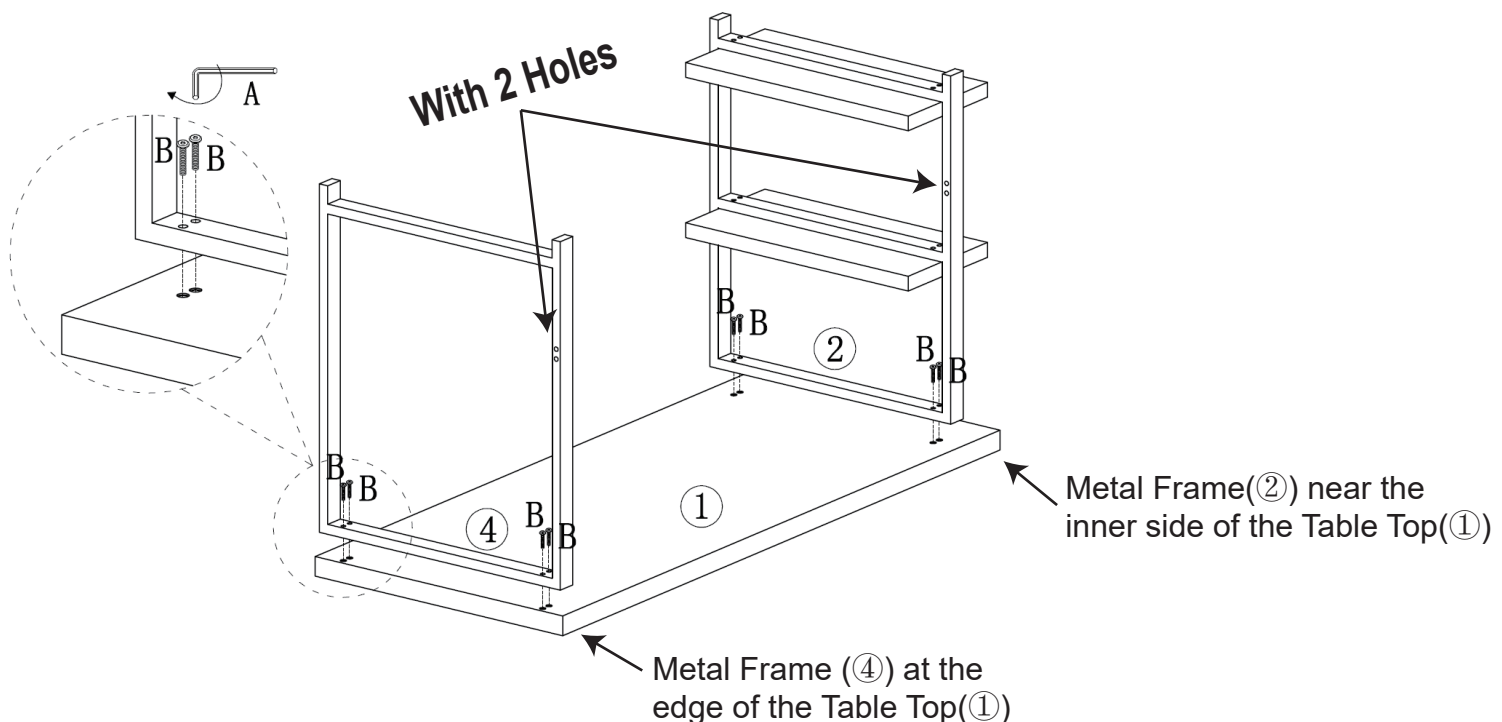
🔧 Lay the Metal Frame(②) on a clean smooth surface such as carpet or cardboard. Attach 2 Shelves(⑤) into Metal Frame(②) with Short Screws(B) by Allen key(A).



Step 02

NOTE: DO NOT fully tighten all bolts at this step.

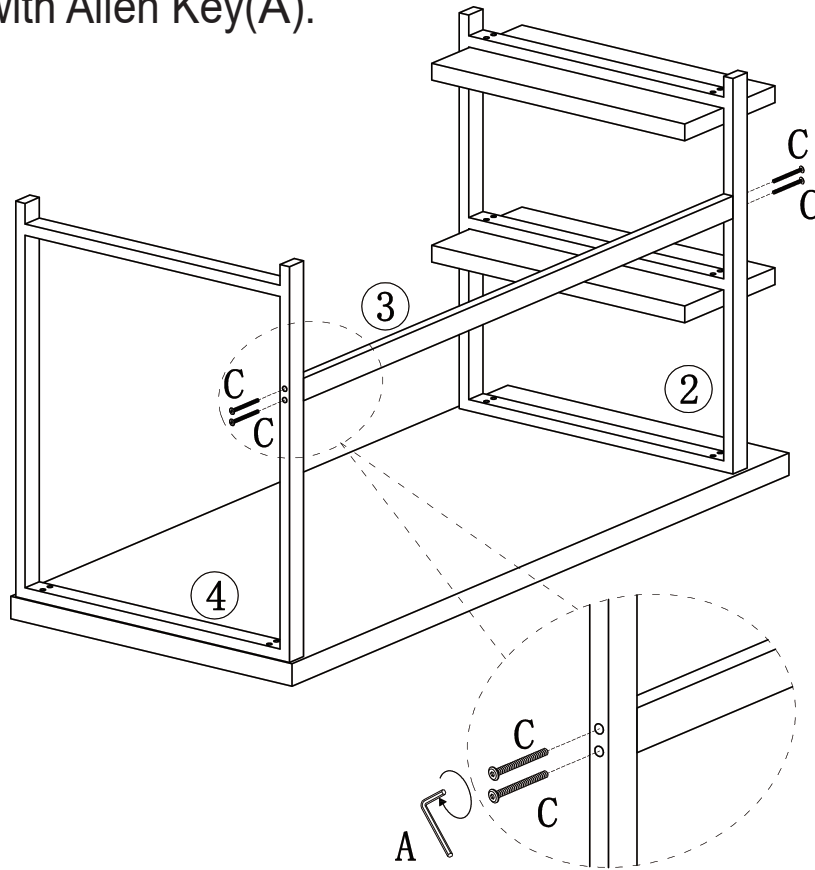
🔧 Lay the Table Top(①) upside down onto a clean smooth surface such as carpet or cardboard. Align and fix two Metal Frames (②④) to the Table Top(①) with 8 pcs Short Screws(B) by Allen Key(A). Do not fully tighten all bolts until all parts are in place.



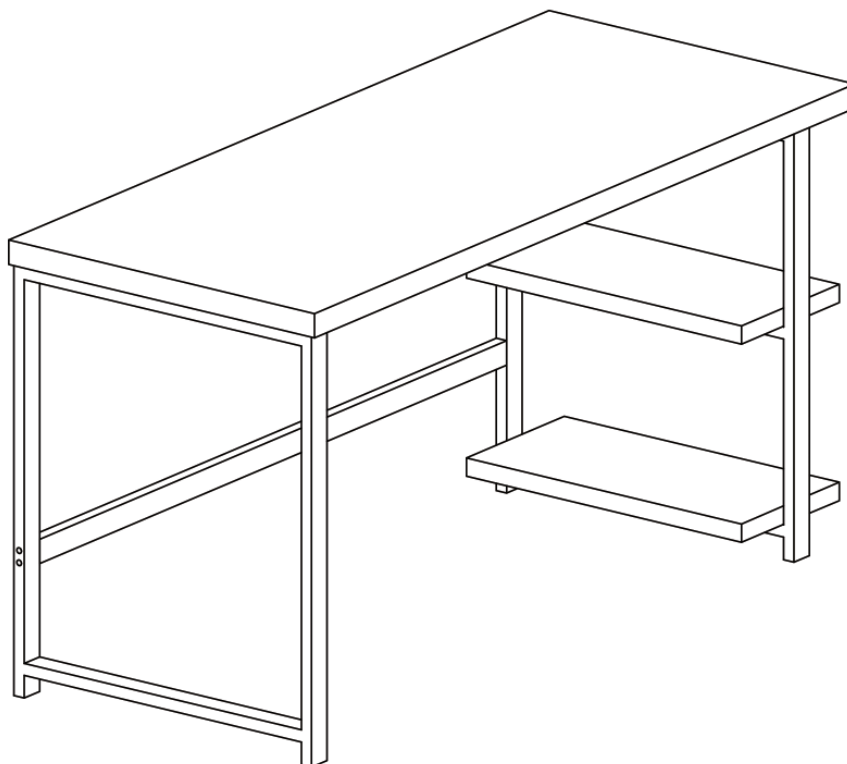
Step 03

NOTE: DO NOT fully tighten all bolts at this step.

3.1 Fasten Metal Frames (②④) to the Metal Tube(③) by using four Long Screws(C) with Allen Key(A).

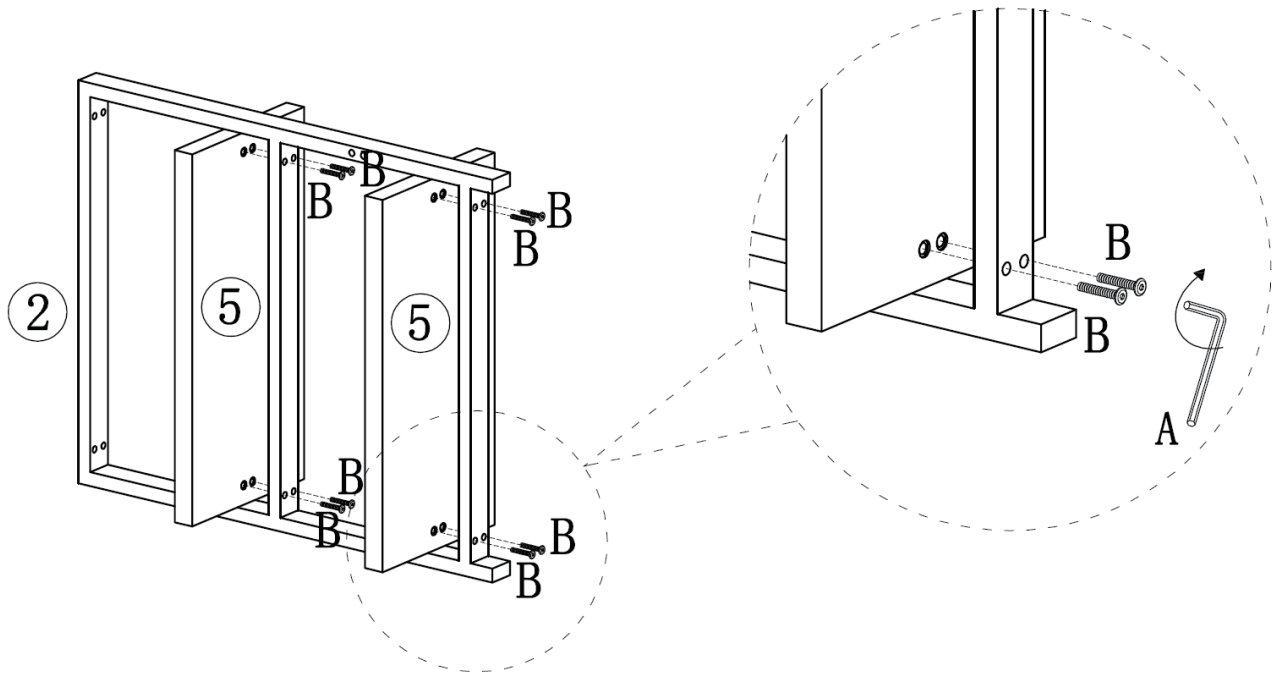


3.2 Tighten all Screws when all parts are in place. Flip the desk upright with the help of another person.



Step 01

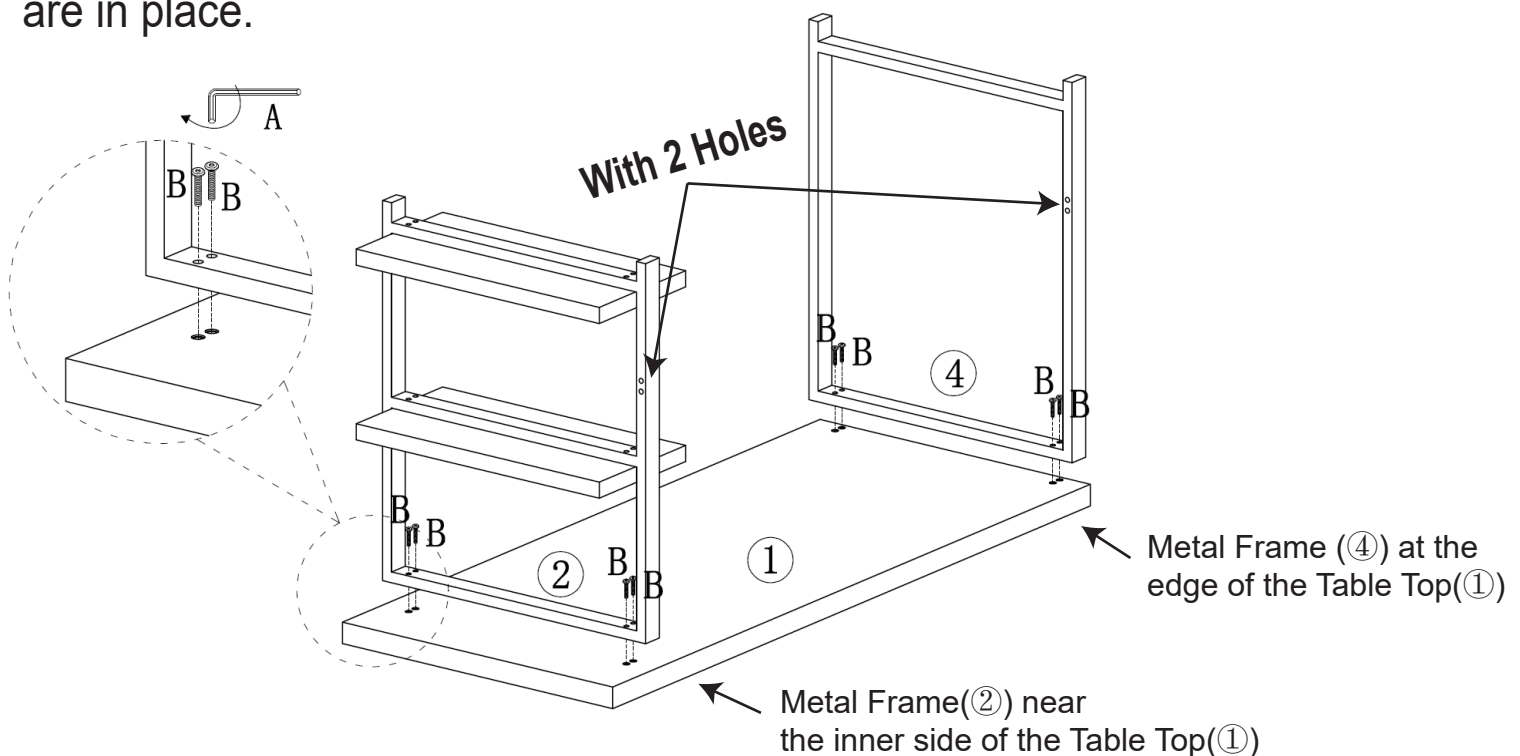
🔧 Lay the Metal Frame(②) on a clean smooth surface such as carpet or cardboard. Attach 2 Shelves(⑤) into Metal Frame(②) with Short Screws(B) by Allen key(A).



Step 02

NOTE: DO NOT fully tighten all bolts at this step.

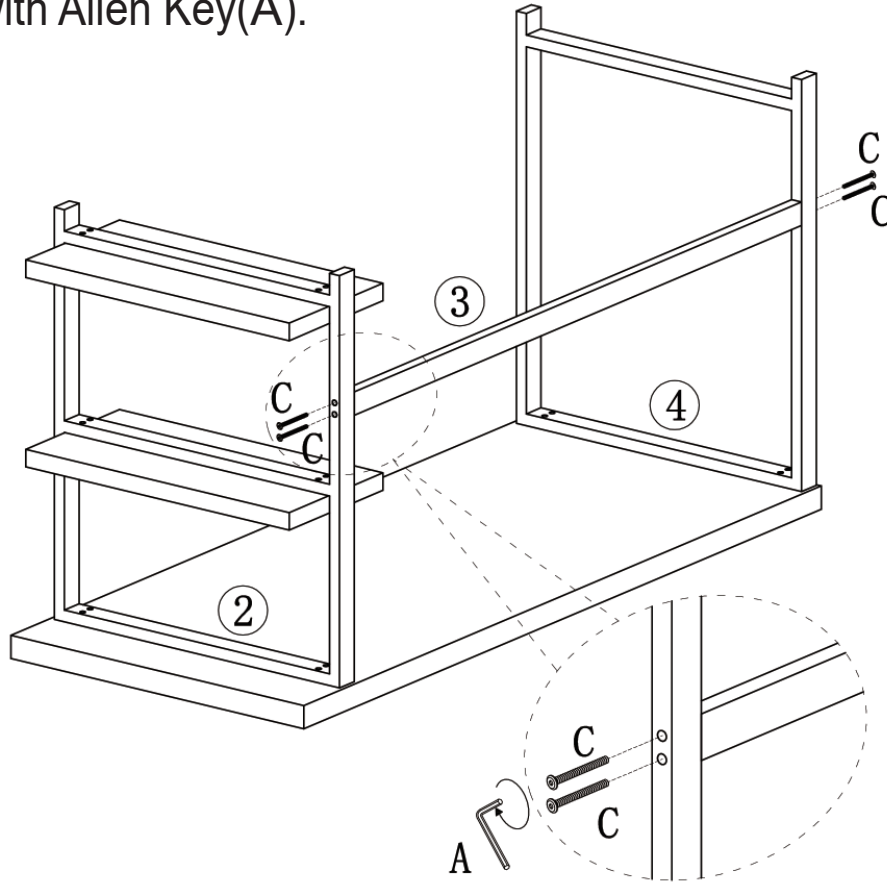
🔧 Lay the Table Top(①) upside down onto a clean smooth surface such as carpet or cardboard. Align and fix two Metal Frames (②④) to the Table Top(①) with 8 pcs Short Screws(B) by Allen Key(A). Do not fully tighten all bolts until all parts are in place.



Step 03

NOTE: DO NOT fully tighten all bolts at this step.

3.1 Fasten Metal Frames (②④) to the Metal Tube(③) by using four Long Screws(C) with Allen Key(A).



3.2 Tighten all Screws when all parts are in place. Flip the desk upright with the help of another person.

