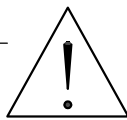
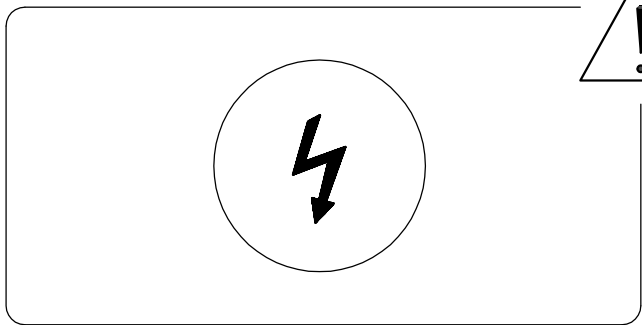
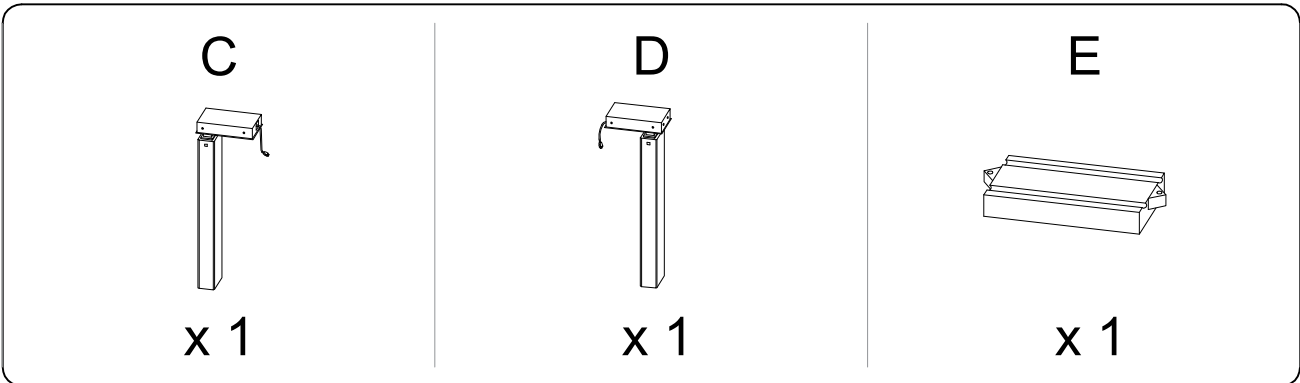
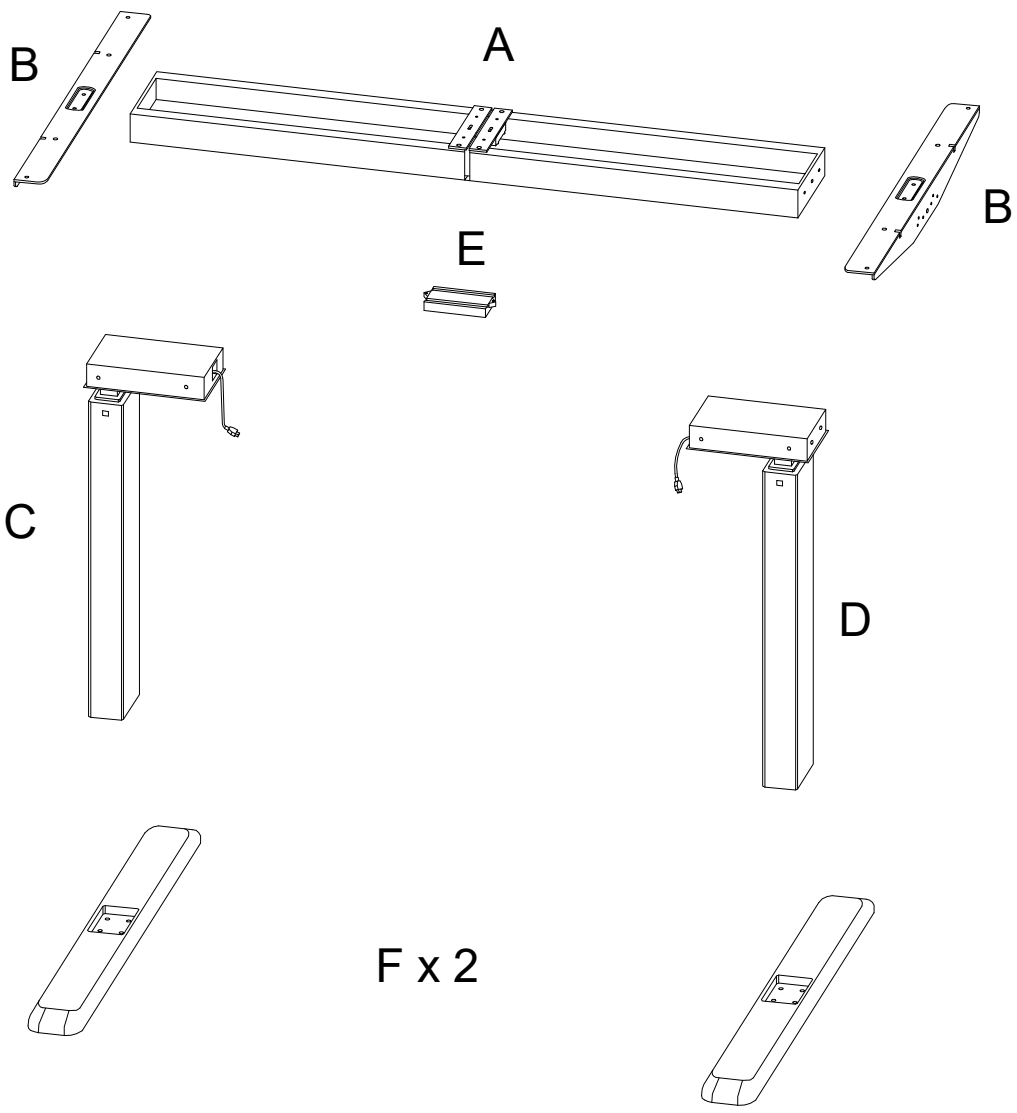
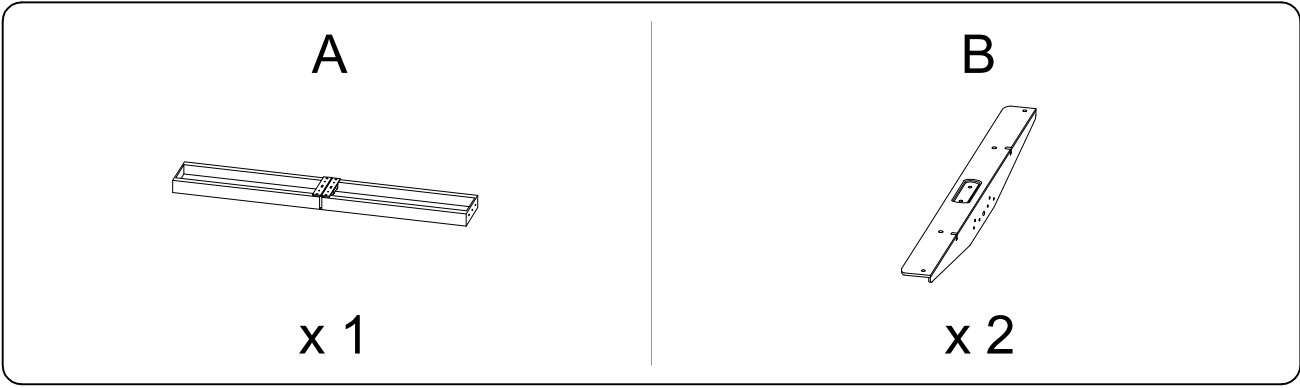


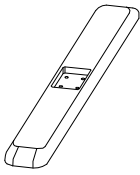
60'



2

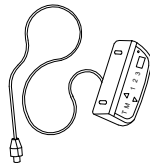


F



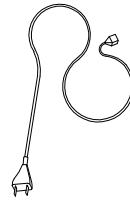
x 2

G



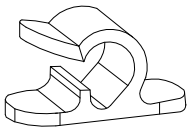
x 1

H



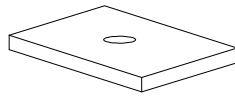
x 1

I



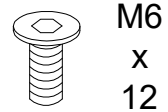
x 3

J



x 8

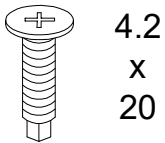
K



M6
x
12

x 20

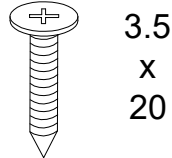
L



4.2
x
20

x 8

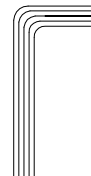
M



3.5
x
20


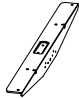
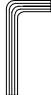
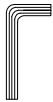
x 2

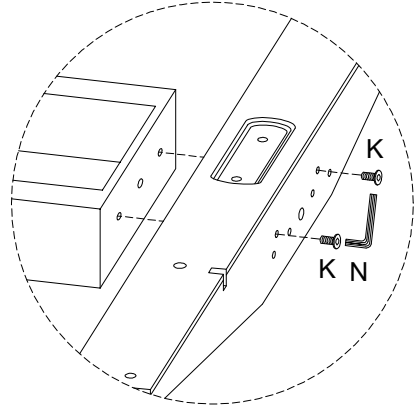
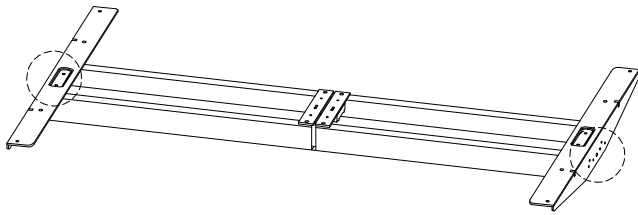
N



x 1

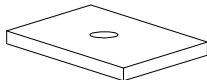
1

<p>A</p>  <p>x 1</p>	<p>B</p>  <p>x 2</p>	<p>K</p> <p>M6 x 12</p>  <p>x 4</p>	<p>N</p>  <p>x 1</p>
---	---	---	---

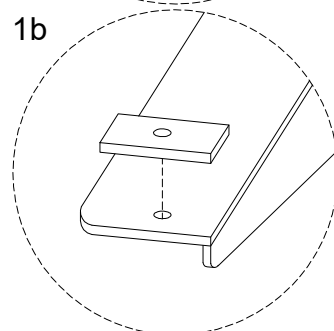
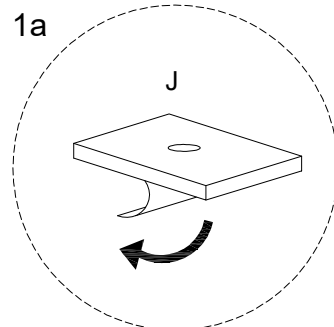
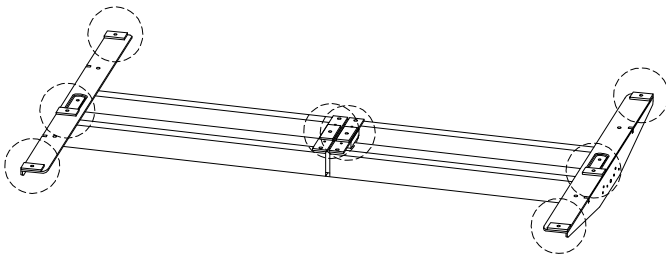


2

J



x 8



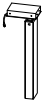
5

C



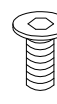
x 1

D



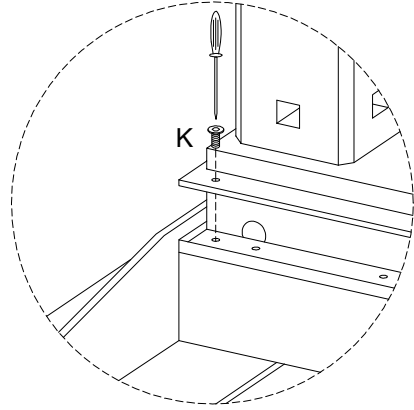
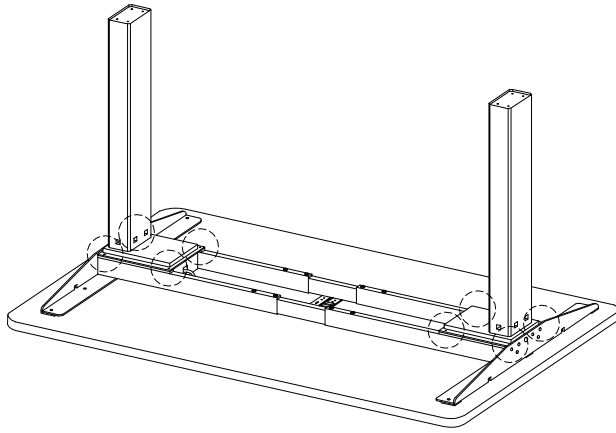
x 1

K



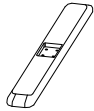
M6
x 12

x 8



6

F



x 2

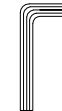
K



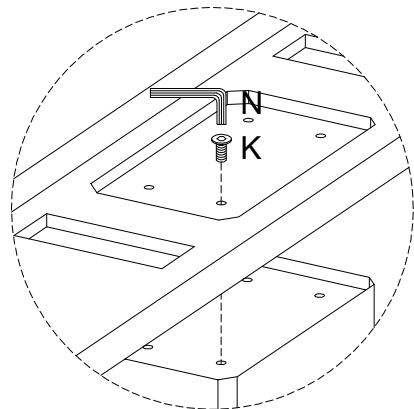
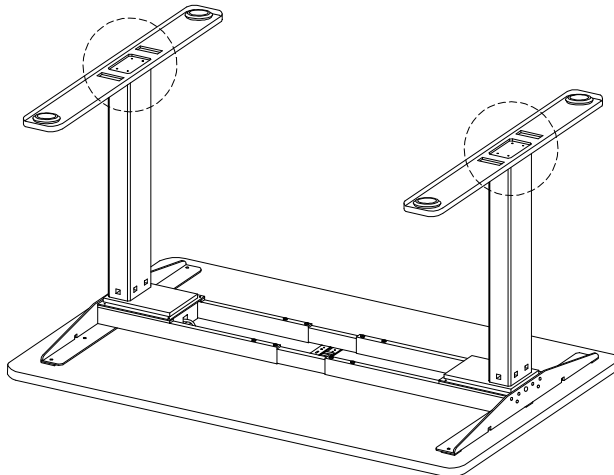
M6
x 12

x 8

N

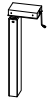


x 1



5

C



x 1

D



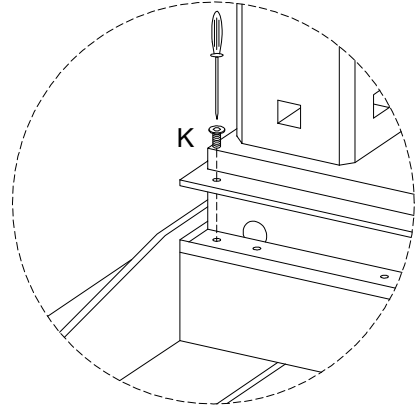
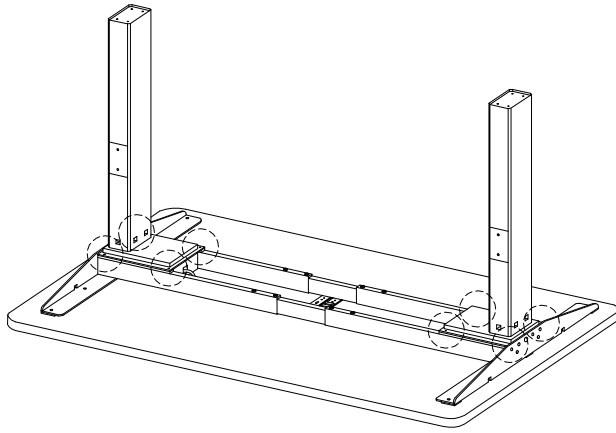
x 1

K



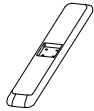
M6
x 12

x 8



6

F



x 2

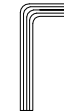
K



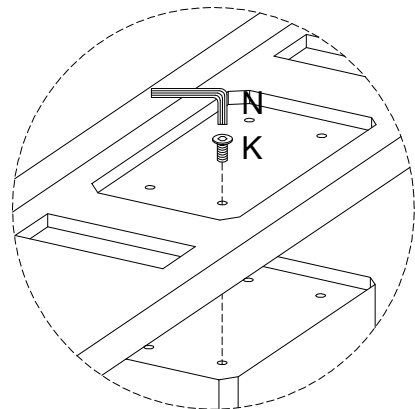
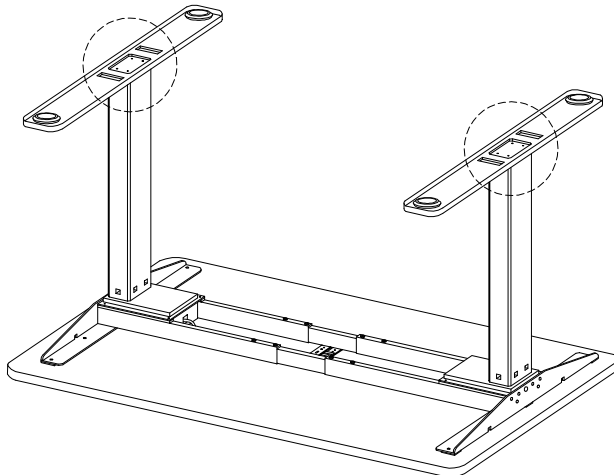
M6
x 12

x 8

N



x 8

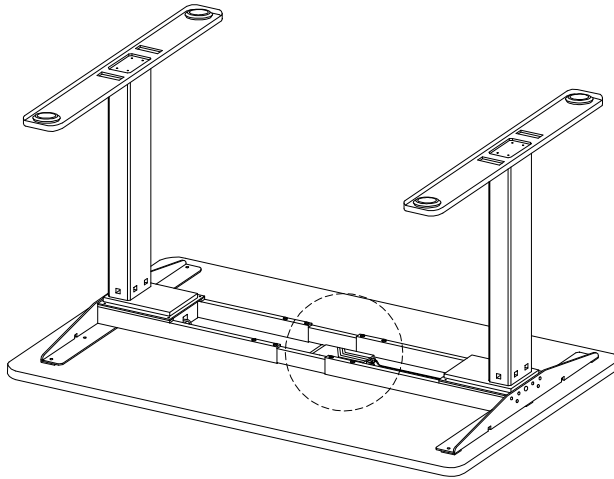


7

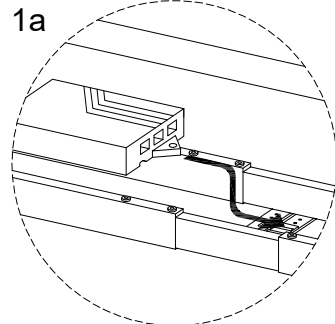
E



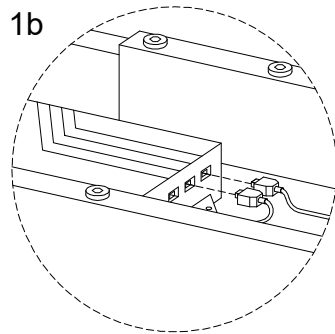
x 1



1a



1b



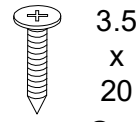
8

G

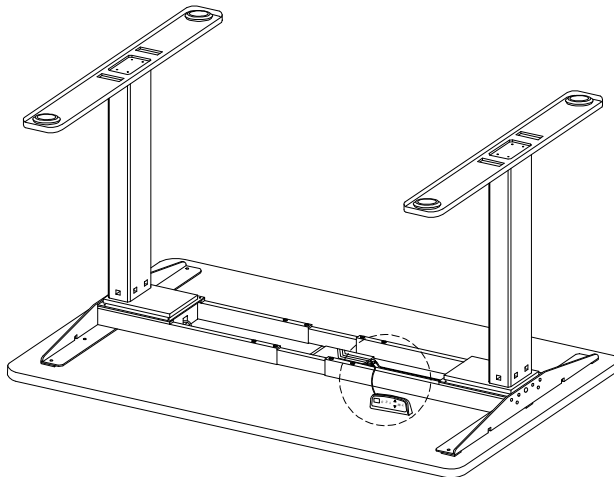


x 1

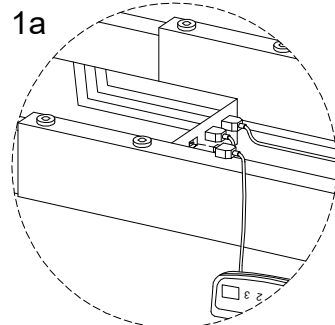
M



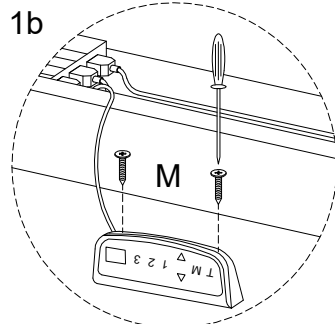
x 2



1a



1b



9

H

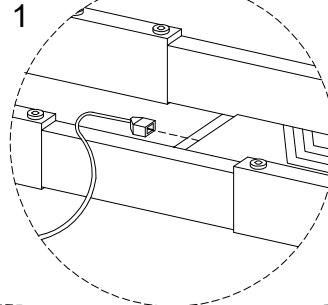
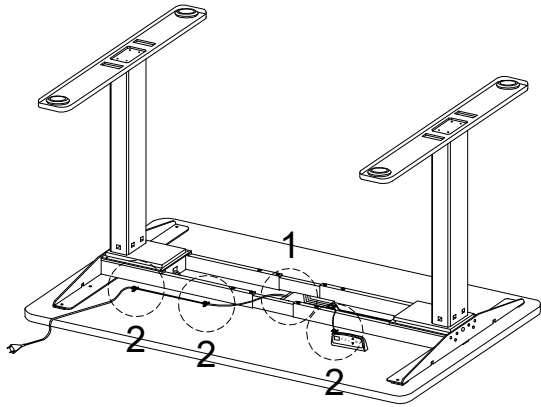


x 1

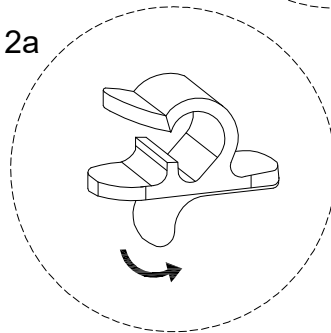
I



x 3



2a



2b

