

# NOTICE

\*Please make sure that you have all parts indicated and they are in good condition before you begin assembly of this item. Refer to part list and hardware list below for guidance.

\*This item should be assembled on a soft surface to prevent scratching the finish during assembly.

\*This item may require periodic tightening.

\*If you are having difficulty, our friendly Customer Care team is always here to help. Please email

[customersupport@safavieh.com](mailto:customersupport@safavieh.com)

# PREPARATION

\*Before beginning assembly of product, make sure all parts are present. Compare parts with package contents list and hardware contents list.

\*If any part is missing or damaged, do not attempt to assemble the product.

\*Estimated Assembly Time: 20 minutes.




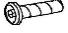



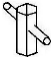

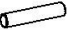
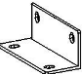
\*Tools required for Assembly (included): Allen Key

# CARE AND MAINTENANCE

Always use felt pads under all articles to prevent discoloration or softening of the lacquer. Plastic and rubber bases on items can discolor wood. Wipe up spills immediately and avoid common hazards such as hot dishes, harsh solvents and abrasives. Cleaning should be done with a soft lint free cotton cloth dampened with water or furniture polish.

On highly used surfaces we recommend applying a quality paste wax which should be used on a regular basis to provide additional protection from scratches and spills. How often you apply the wax depends on how much wear the furniture receives.

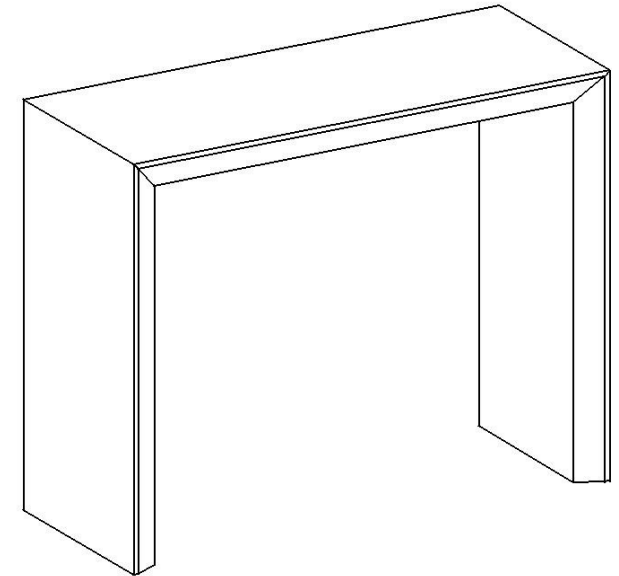
## Part List and Hardware List

PIECE	DESCRIPTION	PICTURE	QUANTITY
A	Table top		1x
B	Leg board		2x
HW1	Lead screw: 8x780mm		4x
HW2	Hex bolt: 6x0.5x20mm		8x
HW3	Flat washer: 6mm		8x
HW4	Flat washer: 8mm		4x
HW5	Nut: m8		4x
HW6	Socket wrench		1x
HW7	Allen key		1x
HW8	Wooden dowel		4x
HW9	Steel corner		2x



Item # CNS7005

Product Dimension: 39.4Wx15.8Dx31.5H"



**WARNING**



**Weight Capacity : 88 LBS**

**Warning : Do not stand on table**

**Warning : Do not over torque bolts**

# PREPARATION

\*Before beginning assembly of product, make sure all parts are present. Compare parts with package contents list and hardware contents list.

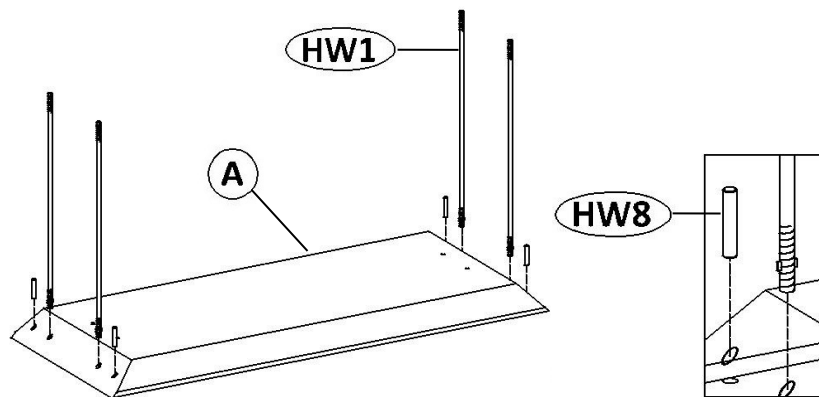
\*If any part is missing or damaged, do not attempt to assemble the product.

\*Estimated Assembly Time: 20 minutes.

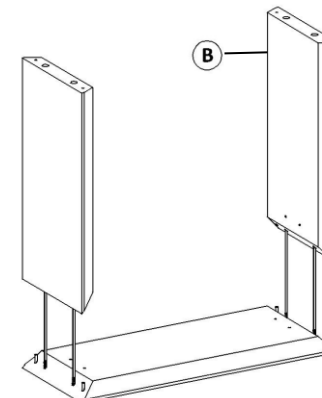
\*Tools required for Assembly (included): Allen Key

\*If you are having difficulty, our friendly Customer Care team is always here to help. Please email [customersupport@safavieh.com](mailto:customersupport@safavieh.com)

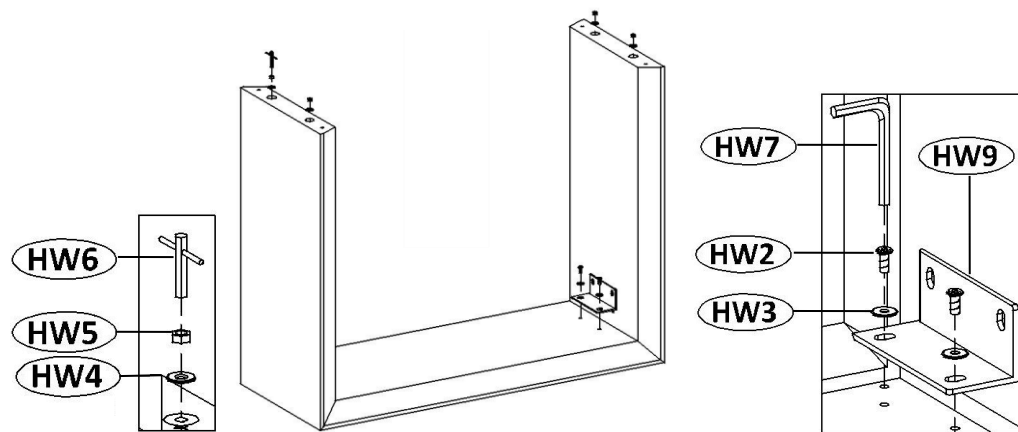
**Hardware is located inside the box. You can find them placed near the sign 'HARDWARE INSIDE'**



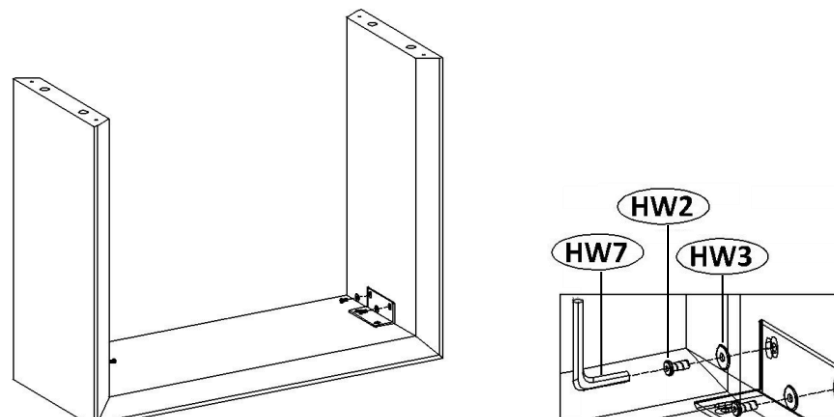
**Step1:** Insert the Lead screw(HW1) and Wooden dowel(HW8) into the holes on Table Top(A) in order.



**Step2:** Cross the Lead screws, put the Leg board(B) on the Table top.



**Step3:** Put the Flat washer(HW4) and Nut(HW5) on lead screw, tighten them by using Socket wrench(HW6). Align the Steel corner(HW9) to the holes on Table top and Leg board, put the Flat washer(HW3) on the Hex bolt(HW2), insert it into the hole, tighten them by using Allen key(HW7).



**Step4:** Align the Flat washer(HW3) on the Hex bolt(HW2), insert it into the hole, tighten them by using Allen key(HW7).