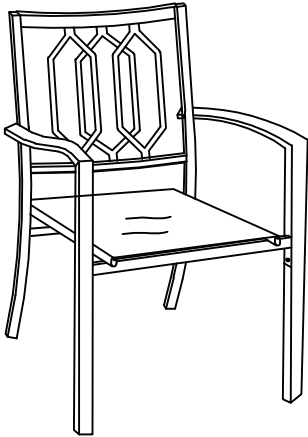


# DINING CHAIR ASSEMBLY MANUAL







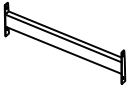



## ASSEMBLY INSTRUCTIONS



- Prior to assembly, make sure you lay out and identify all the parts listed below in the parts list.
- Tighten all nuts and bolts securely. All bolts should be hand tightened before use. Never use power tools or excessive force during assembly and tightening of bolts.

### Warning:

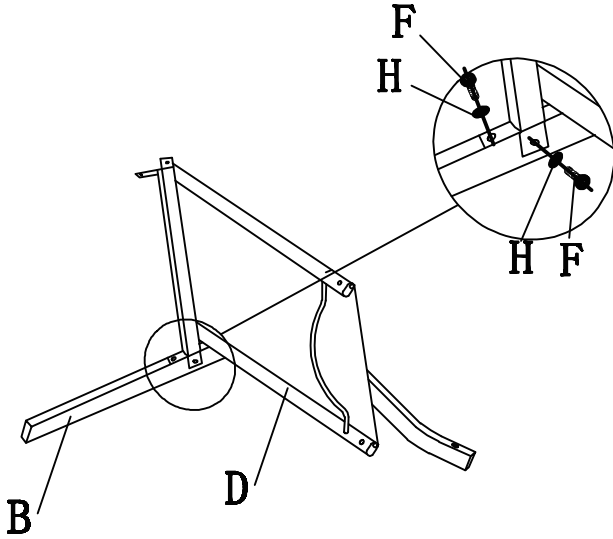
1. Max loading capacity of the chair:300 Lbs.

# Part list

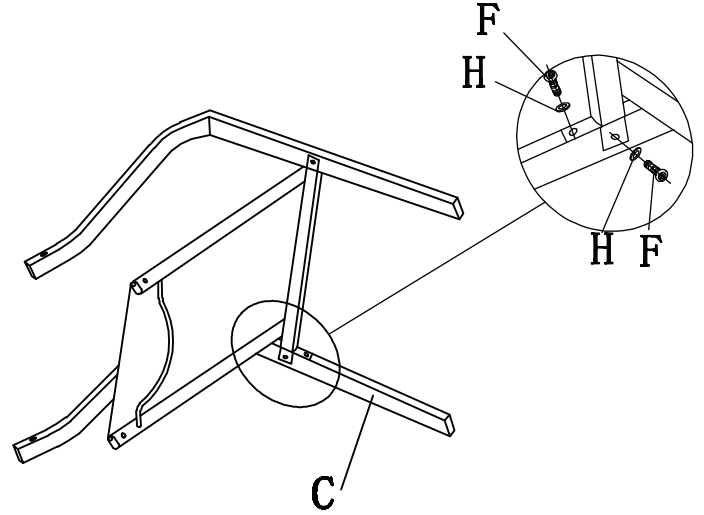
Part	Description	Qty
A	 Back	2
B	 Leg	2
C	 Leg	2
D	 Seat	2
J	 Leg connector	2
E	 <b>M6*45</b> Bolt	4
F	 <b>M6*12</b> Bolt	16
G	 <b>M6*32</b> Bolt	4

Part	Description	Qty
H	 <b>M6</b> Washer	24
I	 Allen key	1

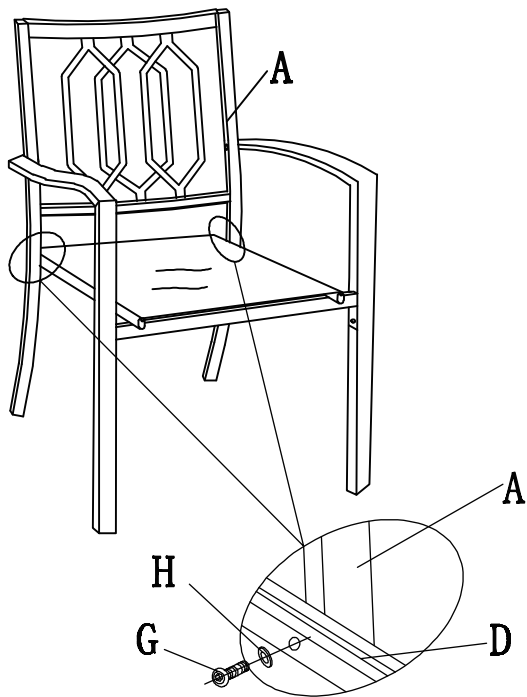
**1.** Connect the Seat (Part D) with Leg (Part B) using Bolt (F) as shown in diagram.



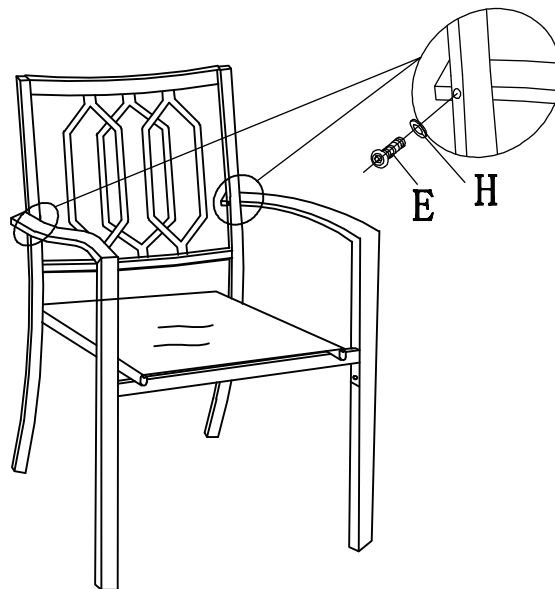
**2.** Connect Seat (Part D) with Leg (Part C) using M6\*12 Bolt(F) with Washer(H) as shown in diagram.



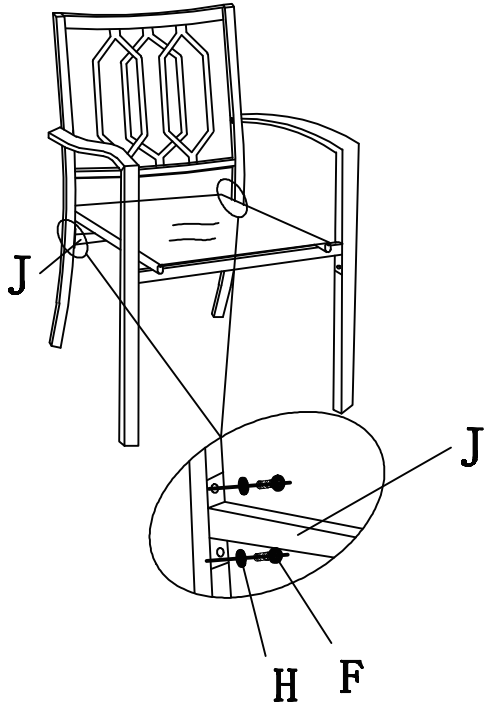
- 3.** Connect Back (Part A) with Seat (Part D) using Bolt (G) with Washer (H) as shown in diagram.



- 4.** Connect Back (Part A) with Legs Part (B&C) using Bolt (E) with Washer (H) as shown in diagram.



- 5** . Connect Leg Connector (Part J) with Back Leg (Part A) using Bolt(F) with Washer(H) as shown in diagram.



- 6** . Eventually, check all screws are fixed tightly before using.