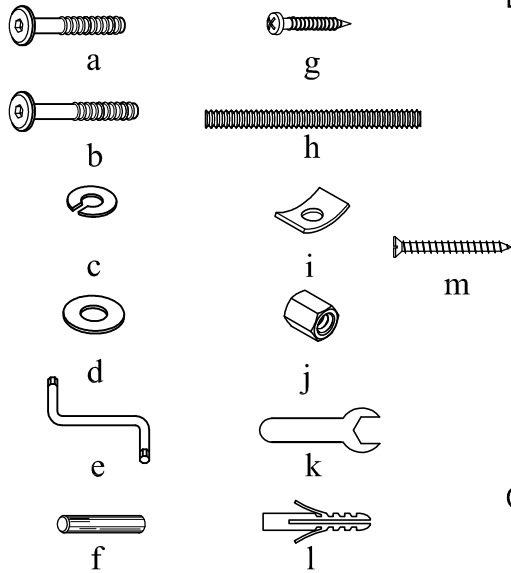


**CAL.KING/EAST.KING HEADBOARD**  
**CAL.KING/EAST.KING FOOTBOARD**  
**CAL.KING/EAST.KING RAILS**

**Assembly Instruction**

**A . Components :**

- |                    |     |
|--------------------|-----|
| 1. Headboard Panel | 1 x |
| 2. Footboard Panel | 1 x |
| 3. HB Right Leg    | 1 x |
| 4. HB Left Leg     | 1 x |
| 5. Stretcher       | 1 x |
| 6. Bed Rail        | 2 x |
| 7. Slat            | 4 x |
| 8. Slat Support    | 8 x |
| 9. Klos HB         | 1 x |
| 10. Back Support   | 1 x |

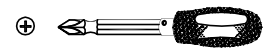


**B . Hardware :**

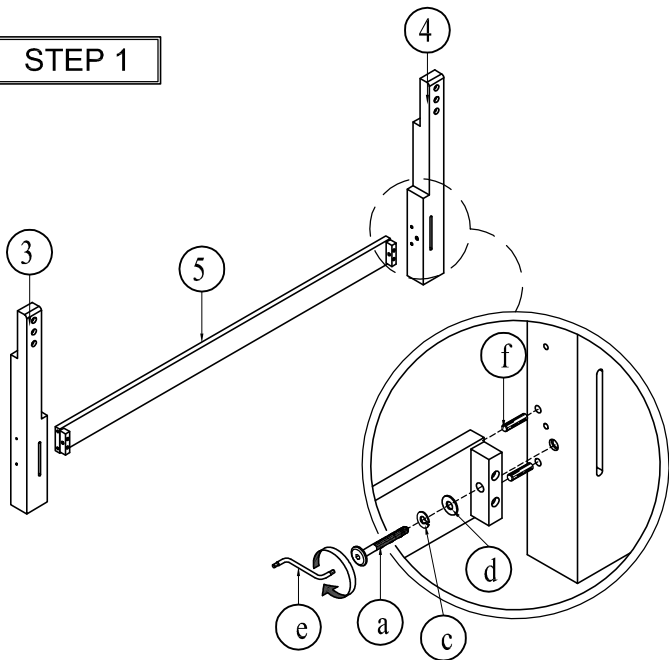
- |                     |      |
|---------------------|------|
| a. Allen Bolt Short | 6 x  |
| b. Allen Bolt Long  | 6 x  |
| c. Lock Washer      | 12 x |
| d. Flat Washer      | 12 x |
| e. Allen Key        | 1 x  |
| f. Dowel            | 4 x  |
| g. Screw JP         | 8 x  |
| h. Stud Bolt        | 8 x  |
| i. Square Washer    | 8 x  |
| j. Hex Nut          | 8 x  |
| k. Wrench           | 1 x  |
| l. Fischer          | 3 x  |
| m. Screw JF         | 3 x  |

**C . Tool Required :**

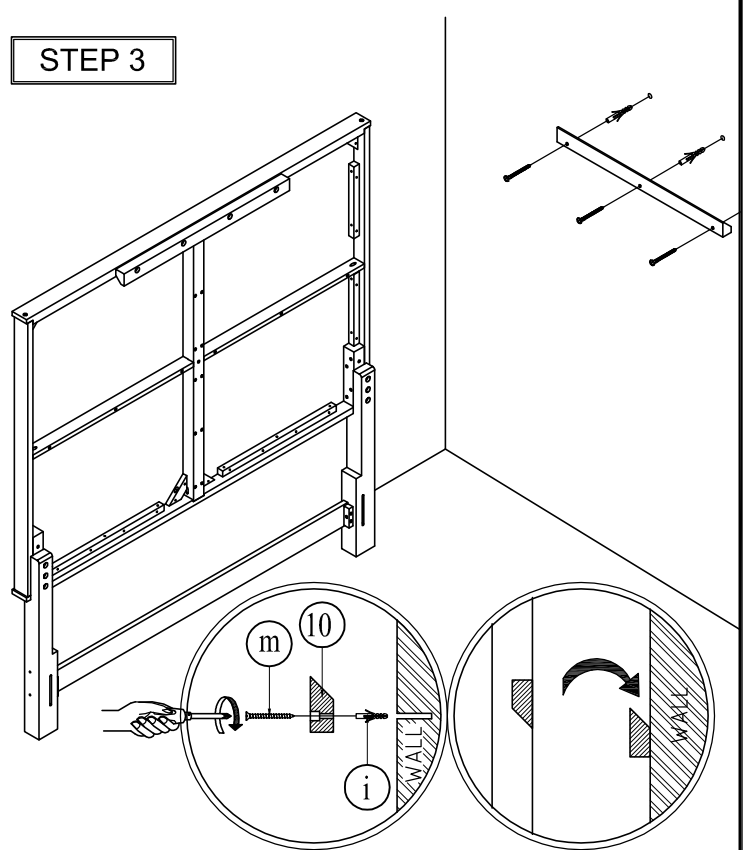
1. Screw Driver = (not included)



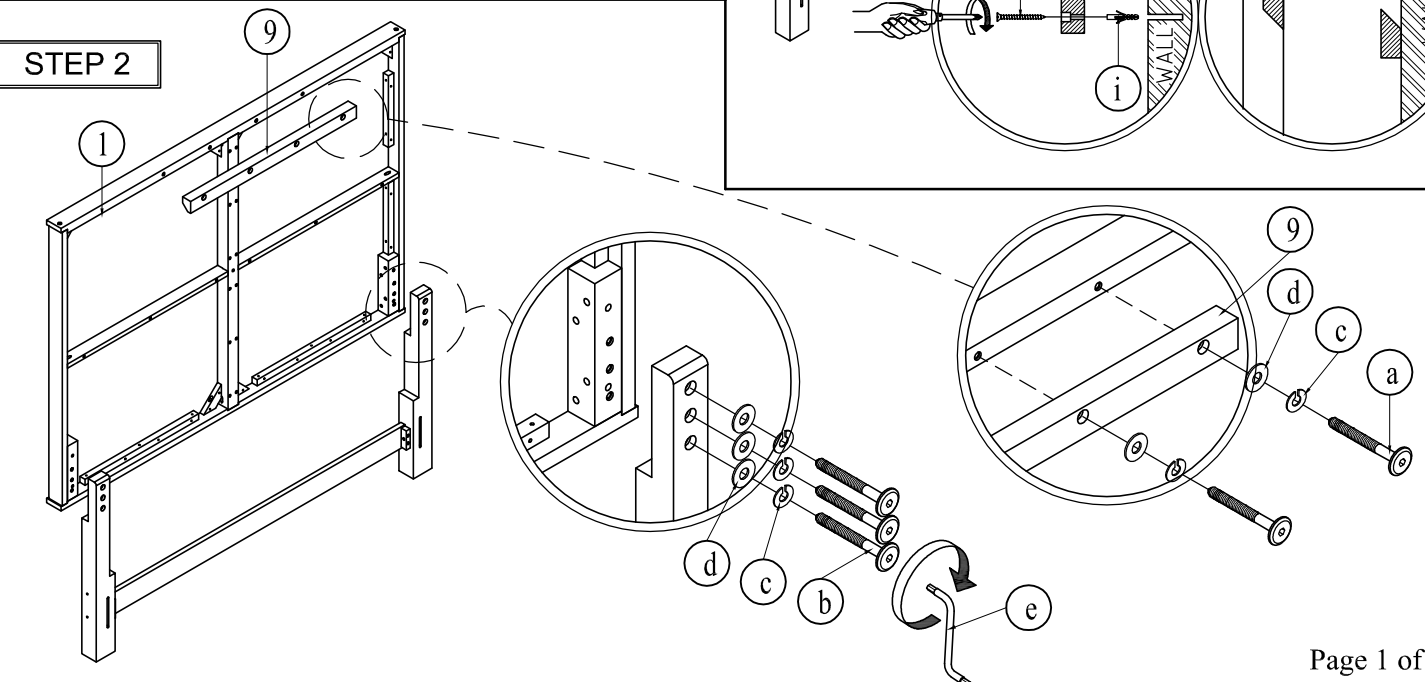
**STEP 1**



**STEP 3**

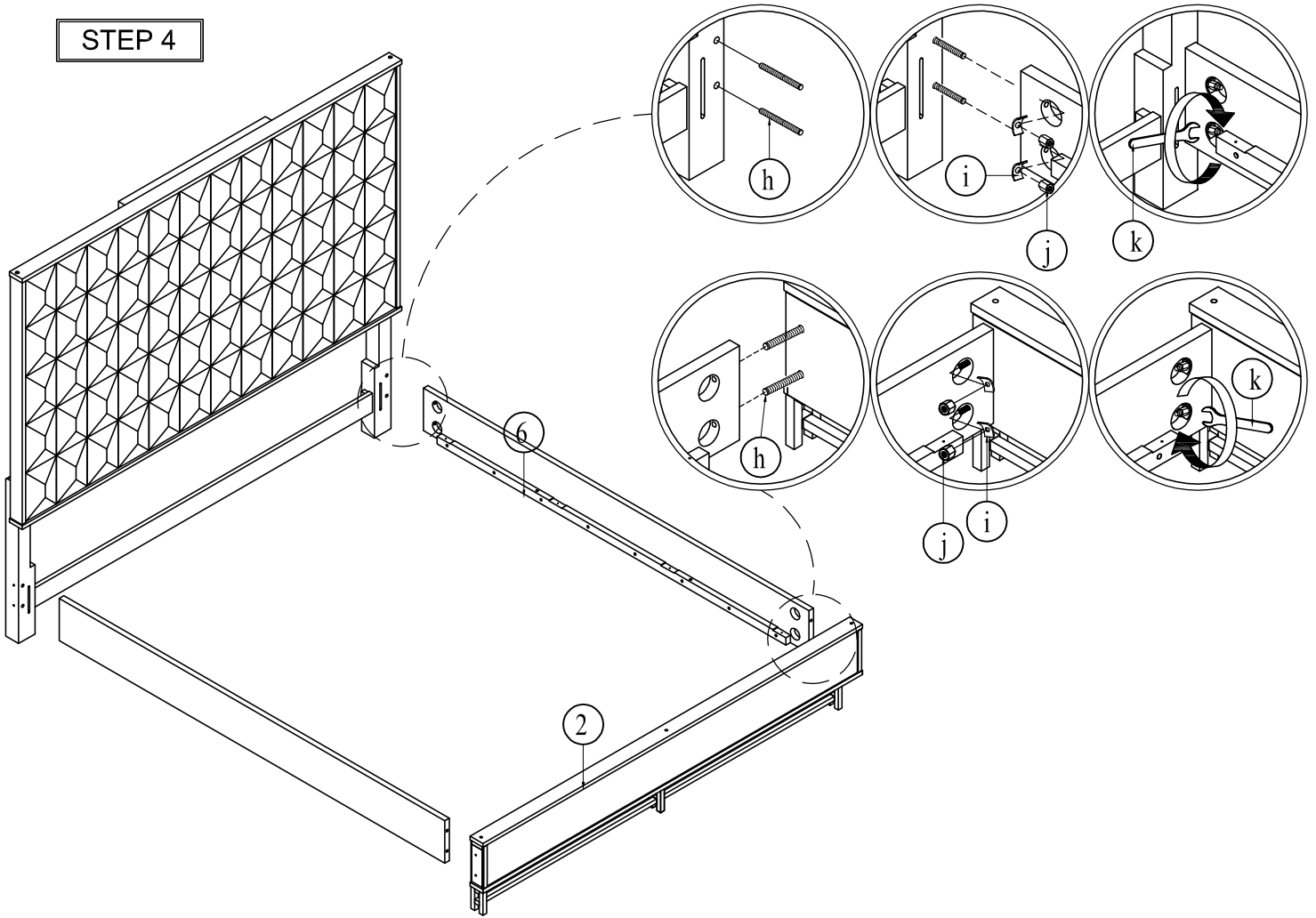


**STEP 2**



CAL.KING/EAST.KING HEADBOARD  
CAL.KING/EAST.KING FOOTBOARD  
CAL.KING/EAST.KING RAILS

STEP 4



STEP 5

