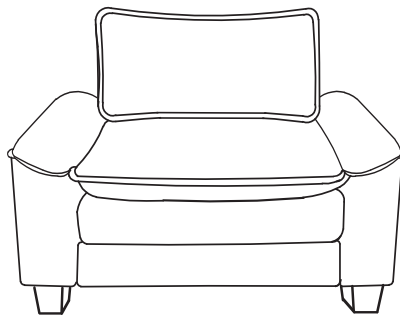


INSTRUCTION MANUAL

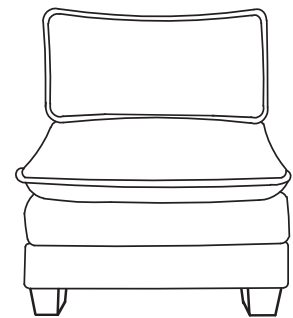
MODULAR SOFA



A **CARTON A**
Single Seat +
Ottoman Module



B **CARTON B**
Single Seat +
Armrest Module



C **CARTON C**
Single Seat
Module

Pls open vacuum-sealed packages lastly!
Pls read the notice below carefully~

Extremely Important Notice Before Assembly

- ① Vacuum-sealed Cushions once opened will lead to ineligible return conditions as return shall be processed in original boxes;
- ② Pls have the frame not involving compressed parts set up first to see if it is stable/color/size meets your demand;
- ③ For any damages or structure issues, you're highly recommended to reach out us with pictures offered;
- ④ For reporting missed parts, please clarify us the part number complies with the manual to speed-up the communication phrase;
- ⑤ Don't secure the screws to a 100% degree until you have aligned up all the holes successfully. Misalignment will lead to failure on the sofa's stability.

PRE-ASSEMBLY INFORMATION

Please read this manual carefully before beginning assembly of this product. Keep this manual for future reference.

NOTICE

- Please keep this manual and hand it over when you transfer the product.
- Please read the following instructions carefully and use the product accordingly.
- This summary may not include every detail of all variations and considered steps. Please contact us when further information and help are needed.
- Please do not exceed the weight limitations of this item.
- Do not stand on or use any part of this item as a step ladder.
- Pls check the completeness and eligible condition of all the numbered parts before your assembly.
- Please assemble the item in a spacious room and do not place the unwrapped product directly on the ground to avoid damage.
- Do not use this item in a way inconsistent with the manufacturer' s instructions as this could void the product warranty.
- Periodically inspect screw tightness while the product is in use. If necessary, retighten to ensure structural integrity.
- To avoid the potential dangers of suffocation, please keep all parts and packaging (films, plastic bags and foam,etc.) away from children and pets.
- Do not use or store this item in the proximity of open flame or flammable/combustible chemicals.
- Do not expose product to direct sunlight exposure or rain,and do not put it in a humid place. Failure to do so may accelerate the distortion or discoloration.



TWO PERSON ASSEMBLY



UP TO 45 MINUTES FOR ASSEMBLY

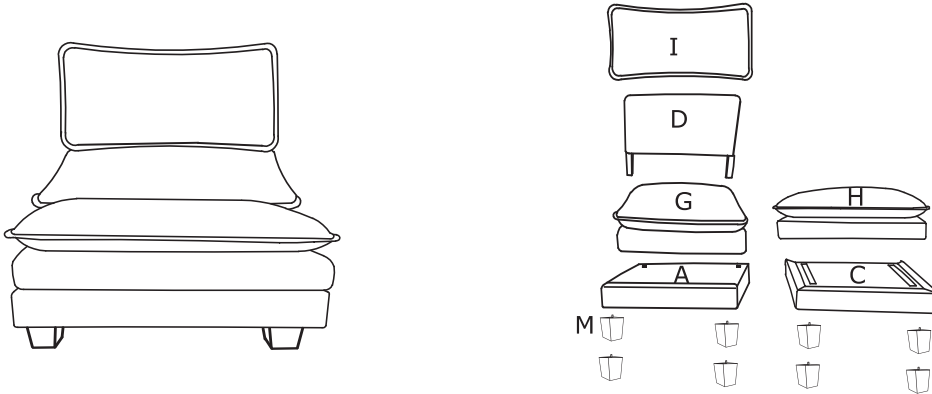


WEIGHT LIMITATION: 380LBS/PER SEAT

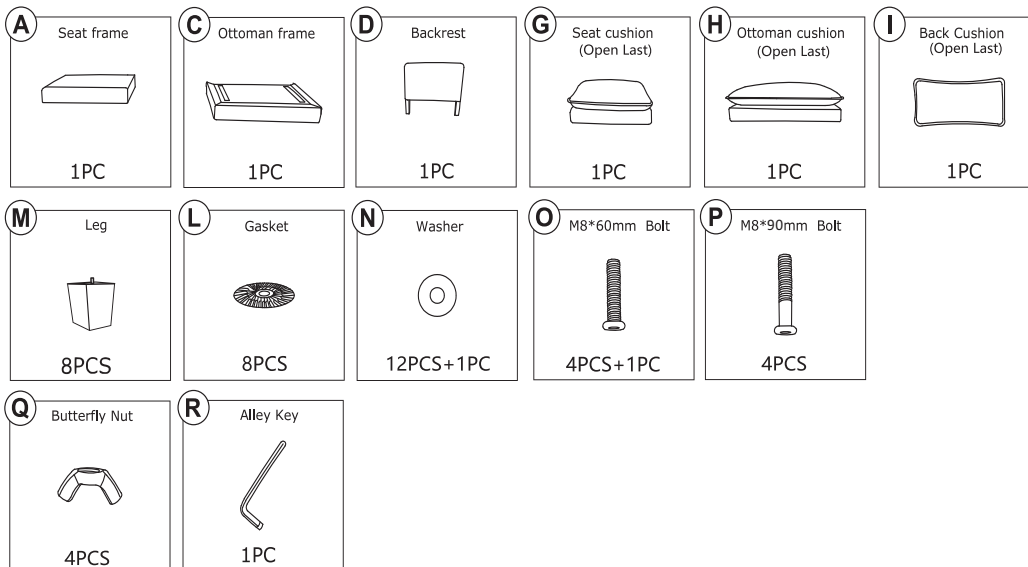
IMPORTANT

- 1.Do not tighten bolts / screws completely until all bolts / screws are lined up and inserted into holes.
- 2.Do not over tighten screws and bolts to avoid stripping.
- 3.Please use hand tools to assemble this product. If you're using power tools, remember to set the tool to low torque to avoid damage.

COMPONENTS-CARTON A

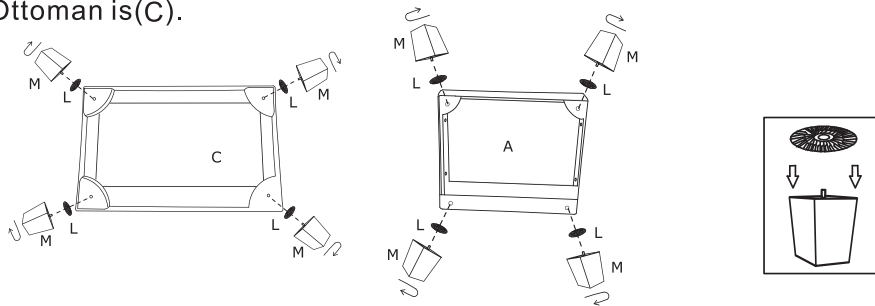


Not all hardware is required for every sofa, some extra hardware may be included for potential future updates to your sofa layout. Just follow the steps and select the necessary hardware.



ASSEMBLY STEPS-CARTON A

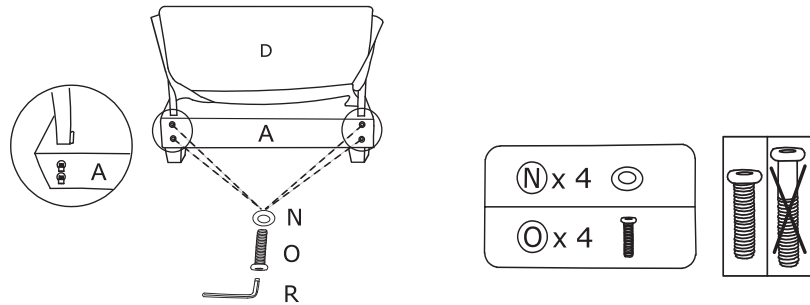
step1: Screws in Legs (M and Gaskets (L) to the Seat and Ottoman. (seat is(A)and Ottoman is(C).



ASSEMBLY STEPS-CARTON A

step2: Insert the Backrest D into the seating frame A, Align the holes first, then attach the bolts(O)& Washers(N) to secure the connection between A and D.

Warm Reminder: ① The bottom of metal backrest frame in a curved design is normal. ② To avoid misalignment between different backframes, adhere to installing either **the upper or lower screws** first for all of them. Misalignment can occur if the upper screws **are secured looser than the lower ones** or vice versa on either one of them.



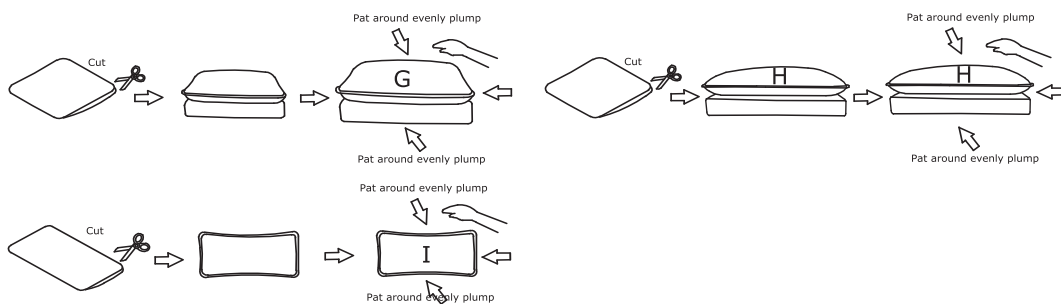
step3: Always open last for the vacuum-sealed Cushions!!!

① If you confirmed there is no issues for the structure's stability/damages/color discrepancy/cloth quality/size/parts completeness, then you could go ahead to have cushions expanded and placed.

② Pls be reminded that **opened vacuum-sealed Cushions will cause a failure on return.**

③ **Be careful** when you are using **scissors** to cut down the compressed bags. It might take up 2-7 days to have cushions fully expanded.

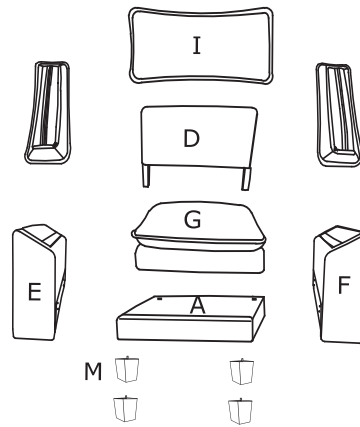
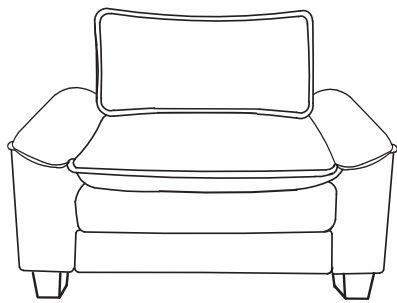
Please kindly be patient.


















step4: Place the cushions on the sofa.



COMPONENTS-CARTON B

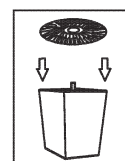
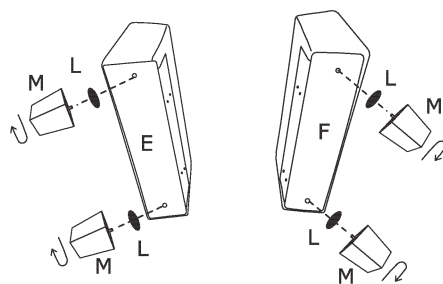


Not all hardware is required for every sofa, some extra hardware may be included for potential future updates to your sofa layout. Just follow the steps and select the necessary hardware.

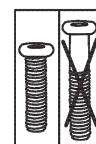
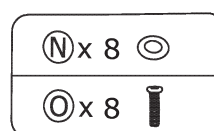
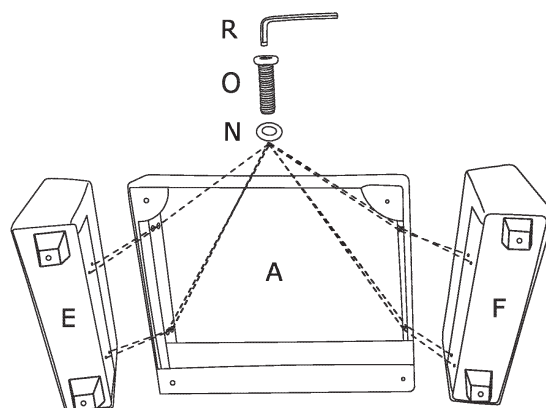
| | | | | | |
|--|---|---|--|---|---|
| A Seat frame  1PC | D Backrest  1PC | E Left armrest  1PC | F Right armrest  1PC | G Seat cushion (Open Last)  1PC | I Back Cushion (Open Last)  1PC |
| J Left armrest pillow (Open Last)  1PC | K Right armrest pillow (Open Last)  1PC | M Leg  4PCS | L Gasket  8PCS | N Washer  20PCS+1PC | |
| O M8*60mm Bolt  12PCS+1PC | P M8*80mm Bolt  4PCS | Q Butterfly Nut  4PCS | R Alley Key  1PC | | |

ASSEMBLY STEPS-CARTON B

step1: Screws in Legs (M) and Gaskets (L) to the Armrests.

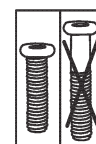
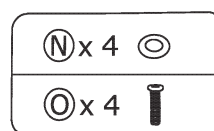
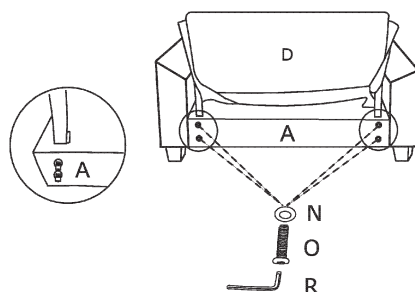


step2: Connect (E&F) and Seat frame (A) with Bolts (O) and Washers (N).



step3: Insert the Backrest D into the seating frame A, Align the holes first, then attach the bolts (O) & Washers (N) to secure the connection between A and D.

Warm Reminder: ① The bottom of metal backrest frame in a curved design is normal. ② To avoid misalignment between different backframes, adhere to installing either **the upper or lower screws** first for all of them. Misalignment can occur if the upper screws are **secured looser than the lower ones** or vice versa on either one of them.



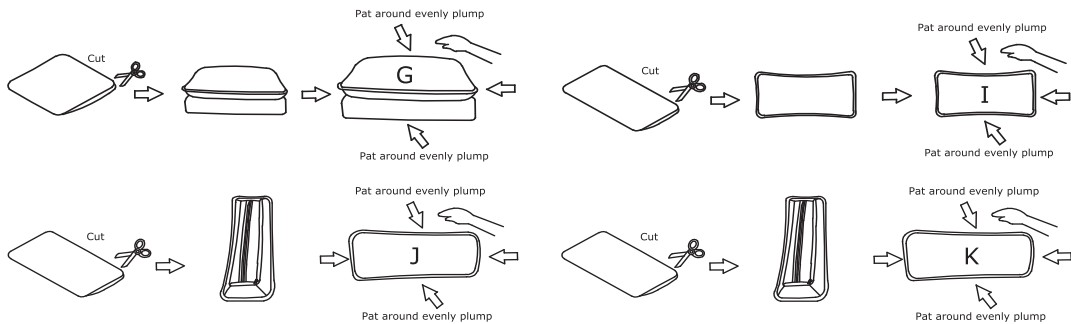
ASSEMBLY STEPS-CARTON B

step4: Always open last for the vacuum-sealed Cushions!!!

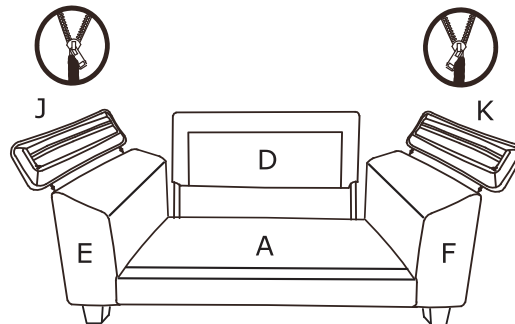
① If you confirmed there is no issues for the structure's stability/damages/color discrepancy/cloth quality/size/parts completeness, then you could go ahead to have cushions expanded and placed.

② Pls be reminded that **opened vacuum-sealed Cushions will cause a failure on return.**

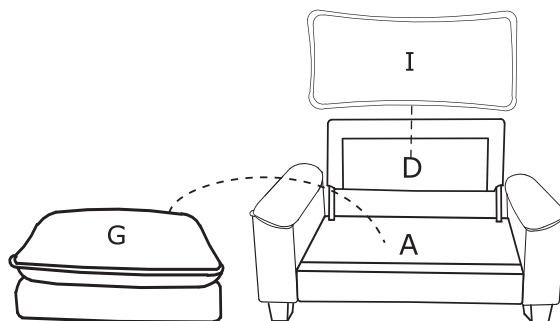
③ **Be careful** when you are using **Scissors** to cut down the compressed bags. It might take up 2-7 days to have cushions fully expended. Please kindly be patient.



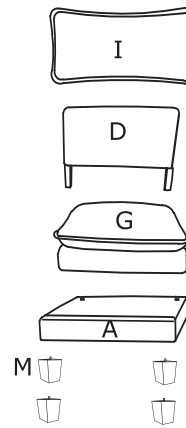
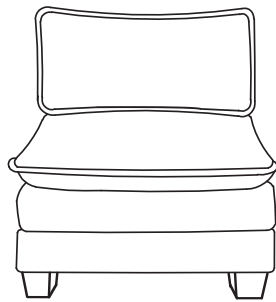
step5: Attach arm pillows(J&K) into designated position.



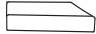










step6: Place the cushions on the sofa.



COMPONENTS-CARTON C

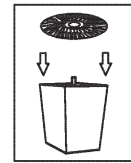
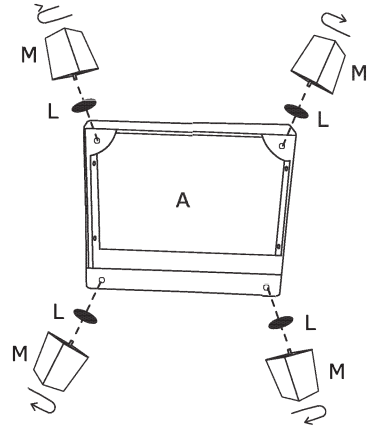


Not all hardware is required for every sofa, some extra hardware may be included for potential future updates to your sofa layout. Just follow the steps and select the necessary hardware.

| | | | | | |
|---|---|---|---|---|--|
| <p>A Seat frame</p>  <p>1PC</p> | <p>D Backrest</p>  <p>1PC</p> | <p>G Seat cushion (Open Last)</p>  <p>1PC</p> | <p>I Back Cushion (Open Last)</p>  <p>1PC</p> | <p>M Leg</p>  <p>4PCS</p> | |
| <p>L Gasket</p>  <p>8PCS</p> | <p>N Washer</p>  <p>12PCS+1PC</p> | <p>O M8*60mm Bolt</p>  <p>4PCS+1PC</p> | <p>P M8*80mm Bolt</p>  <p>4PCS</p> | <p>Q Butterfly Nut</p>  <p>4PCS</p> | <p>R Alley Key</p>  <p>1PC</p> |

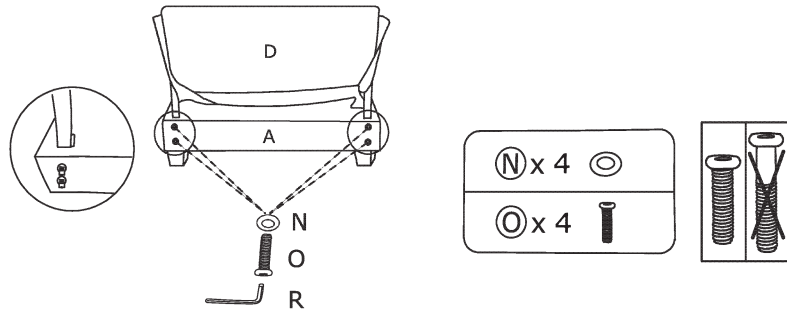
ASSEMBLY STEPS-CARTON C

step1: Screws in Legs (M) and Gaskets (L) to the Seat.



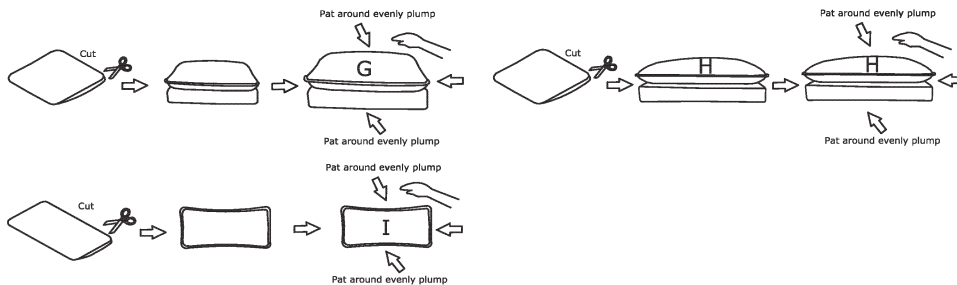
step2: Insert the Backrest D into the seating frame A, Align the holes first, then attach the bolts(O)& Washers(N) to secure the connection between A and D.

Warm Reminder: ①The bottom of metal backrest frame in a curved design is normal. ②To avoid misalignment between different backframes, adhere to installing either the **upper or lower screws** first for all of them. Misalignment can occur if the upper screws are **secured looser than the lower ones** or vice versa on either one of them.



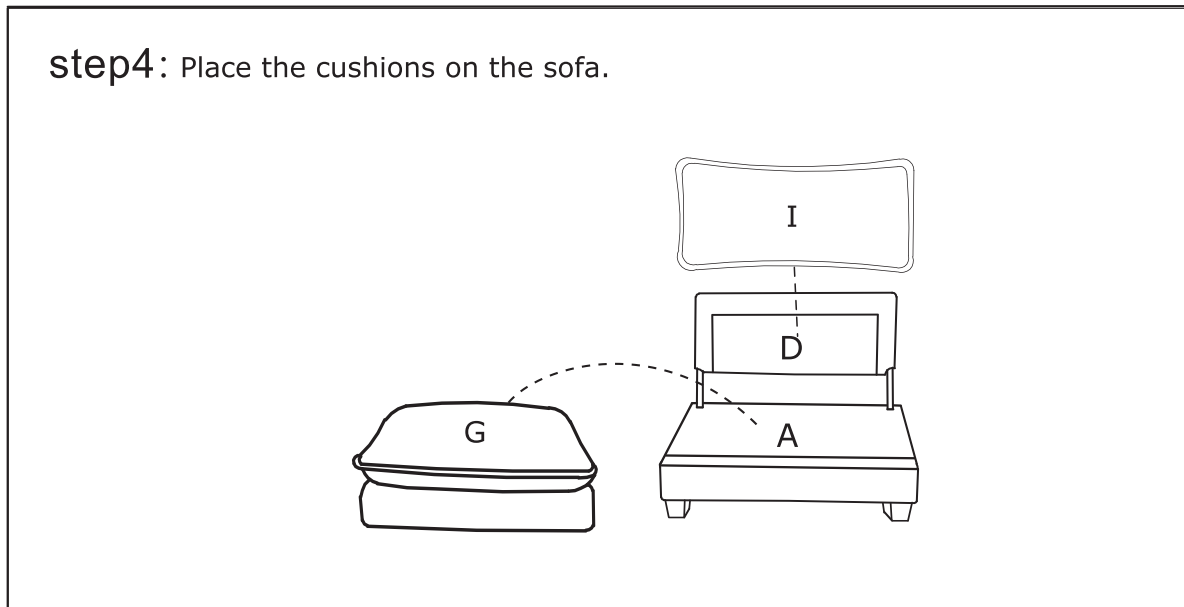
step3: Always open last for the vacuum-sealed Cushions!!!

- ①If you confirmed there is no issues for the structure's stability/damages/color discrepancy/cloth quality/size/parts completeness, then you could go ahead to have cushions expanded and placed.
- ②Pls be reminded that **opened vacuum-sealed Cushions will cause a failure on return.**
- ③**Be careful** when you are using **scissors** to cut down the compressed bags. It might take up 2-7 days to have cushions fully expended. Please kindly be patient.



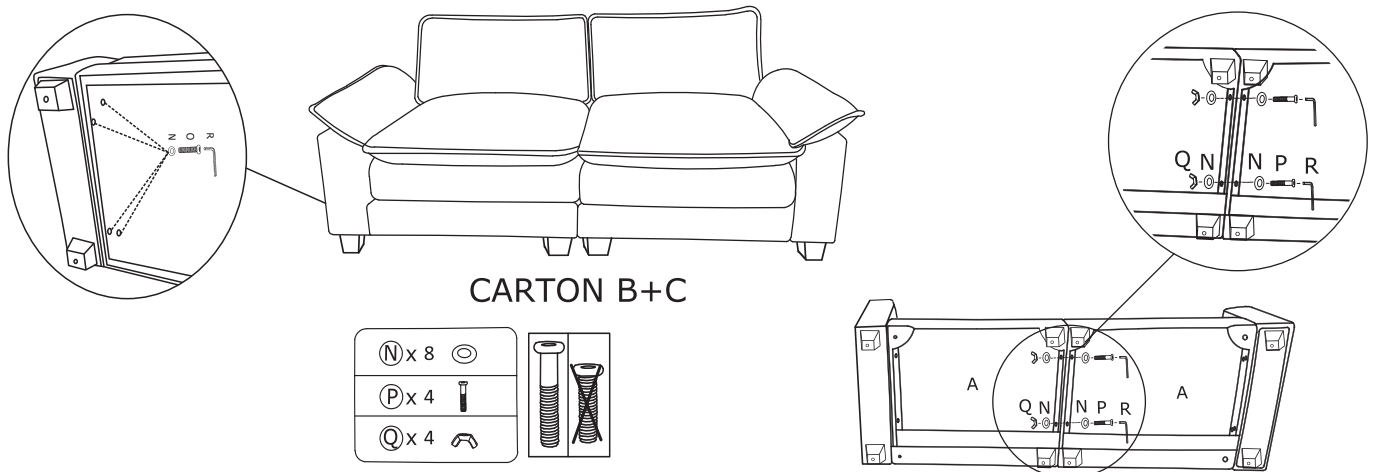
ASSEMBLY STEPS-CARTON C

step4: Place the cushions on the sofa.

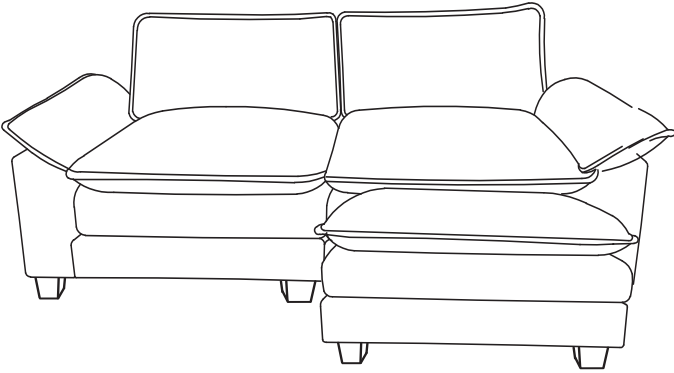


FREE COMBINATION

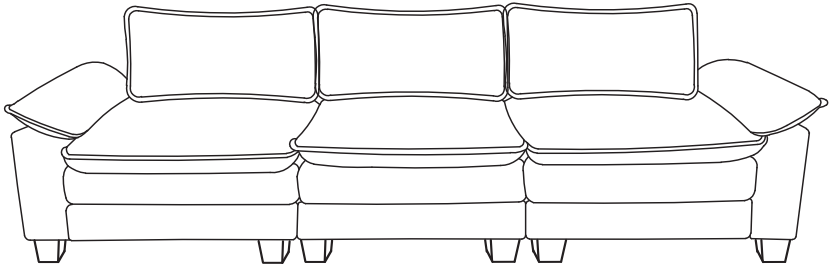
- step4:**
- ① Don't open the vacuum-sealed packages, always set the frame first!
 - ② Connecting Armrests to seat frame A with Bolts O and washers N.
 - ③ Secure the connection of two seat frame A with the longer Bolts P, Washer N and Butterfly nuts Q; Align first, then secure tightly.
 - ④ If you have no problems with the size/sofa frame stability/color discrepancy, then please go ahead with opening the vacuum cushions.



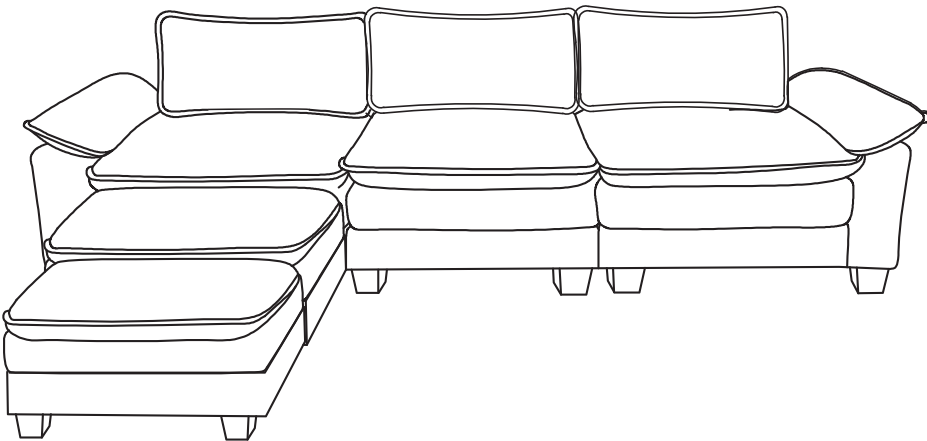
A&B



B&C&C



A&A&B



A&A&B&C

