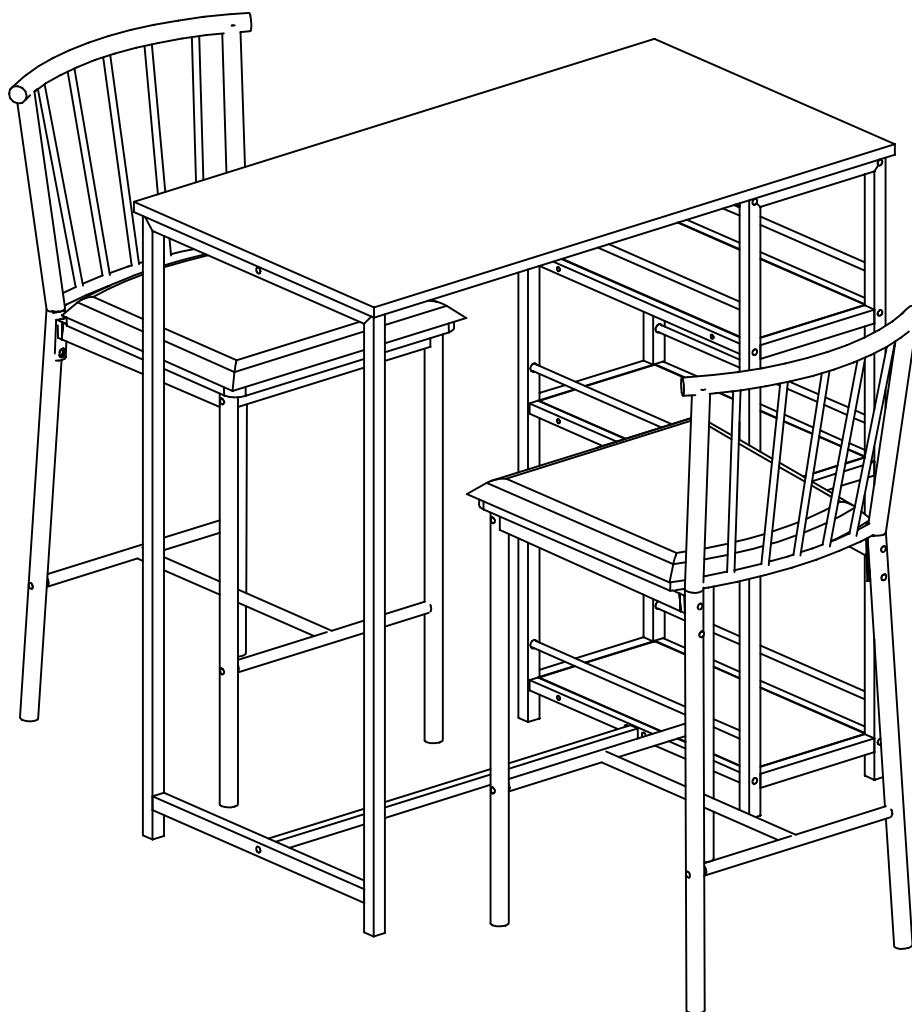


Bar Table and Chairs Set



Instruction Manual

Follow the instructions for the assembly,
daily care and after-sales service!



Thank you for shopping with us!

We appreciate your purchase and are ready to be at your service!

If you find parts missing, broken or hard to put together, and when you are not satisfied or have any valuable suggestions, please do not hesitate to firstly contact us!

Notes

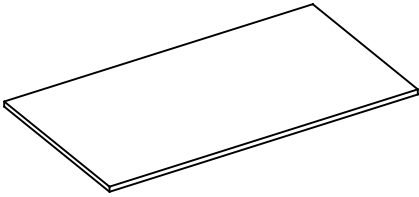
- Get an adult helper to help with the assembly.
- Do not tighten screws until you have put together the whole chair or the table. That way if you make a mistake you can quickly remove a screw.
- DO NOT let your kids climb on the set to prevent the injuries of kids and unpredictable damage to the set. You could use "corner guard" to protect your kids from getting the hurt by the edges.
- Gently wipe the top wood surface with fresh water, do not use a brush or abrasive cloth and other hard objects to scrub, so as not to scratch the surface.
- Put the set in a ventilated place, do not directly exposed to the sun, so as to avoid deformation or discoloration.

Parts List



A

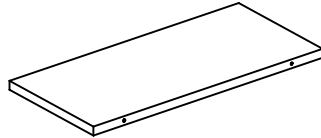
Table panel



x 1

B

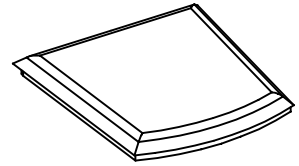
The inner panel of the table



x 3

C

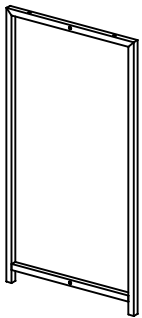
Seat Bag Chair



x 2

T01

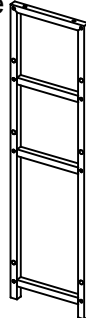
Table side rack



x 1

T02

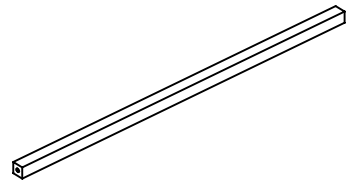
Middle and right frame of the table



x 2

T03

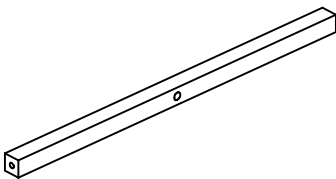
Table connecting rod



x 1

T04

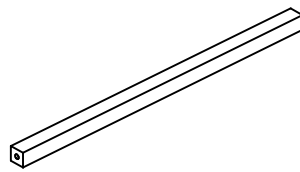
Table side rack upper tube



x 1

T05

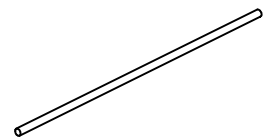
Table side rack upper tube



x 1

T06

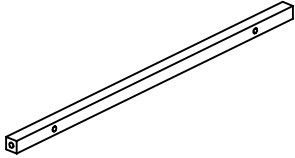
Side frame round pipe



x 6

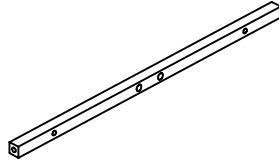
Parts List

T07 Table side frame center tube



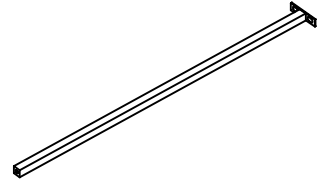
x 5

T08 Lower tube of table side frame



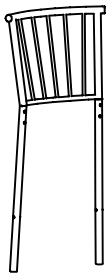
x 1

T09 The connecting rod under the table



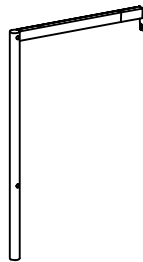
x 1

T10 The back of a chair



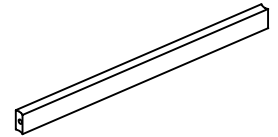
x 2

T11 Chair legs



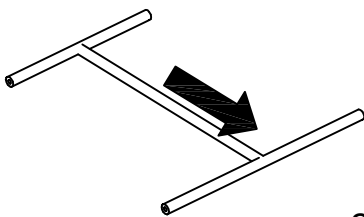
x 4

T12 The cross bar of a chair



x 2

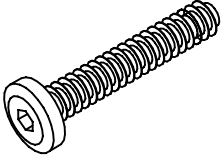
T13 Chair "H" connecting rod

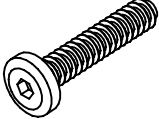


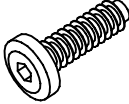
x 2

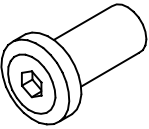
Hardware List

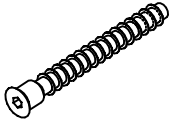


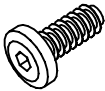
1 Screw

M6x35mm x24+1

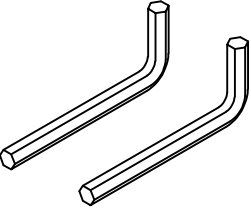
2 Screw

M6x30mm x25+1

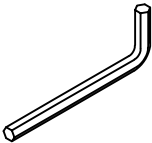
3 Screw

M6x20mm x 4

4 Sub-nut screws

6x15 x 4

5 Self-tapping screw

D5x50mm x12+1

6 Screw

M6x12mm x 2

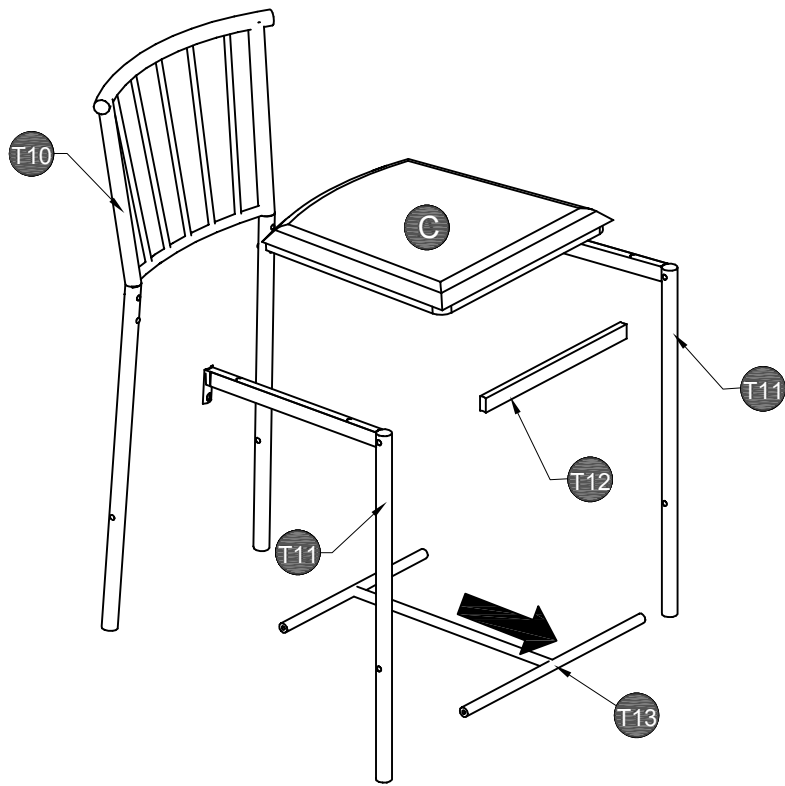
7 Inner allen wrench

4# x 1

8 Inner allen wrench

3# x 1

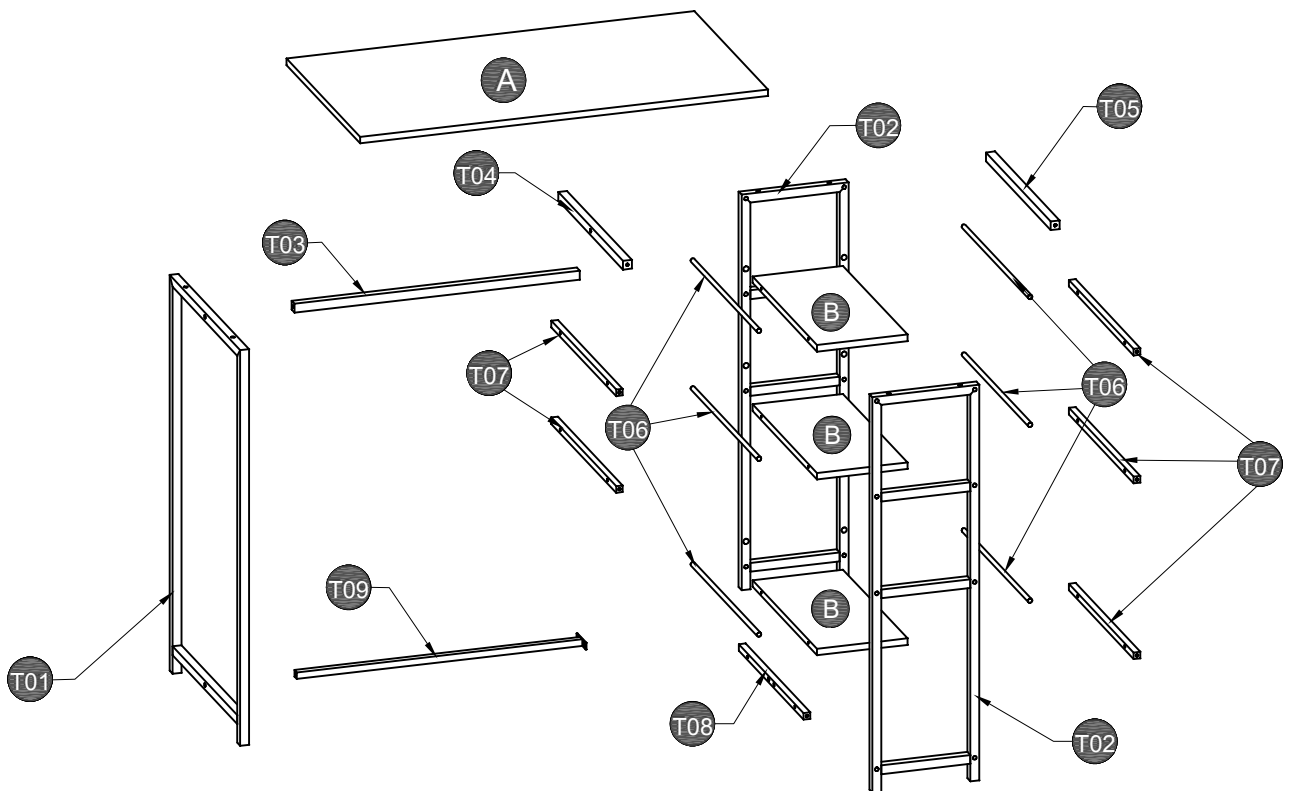
EXPLODED VIEW



Notes: Don't over-tighten the screws until all the parts are in place.



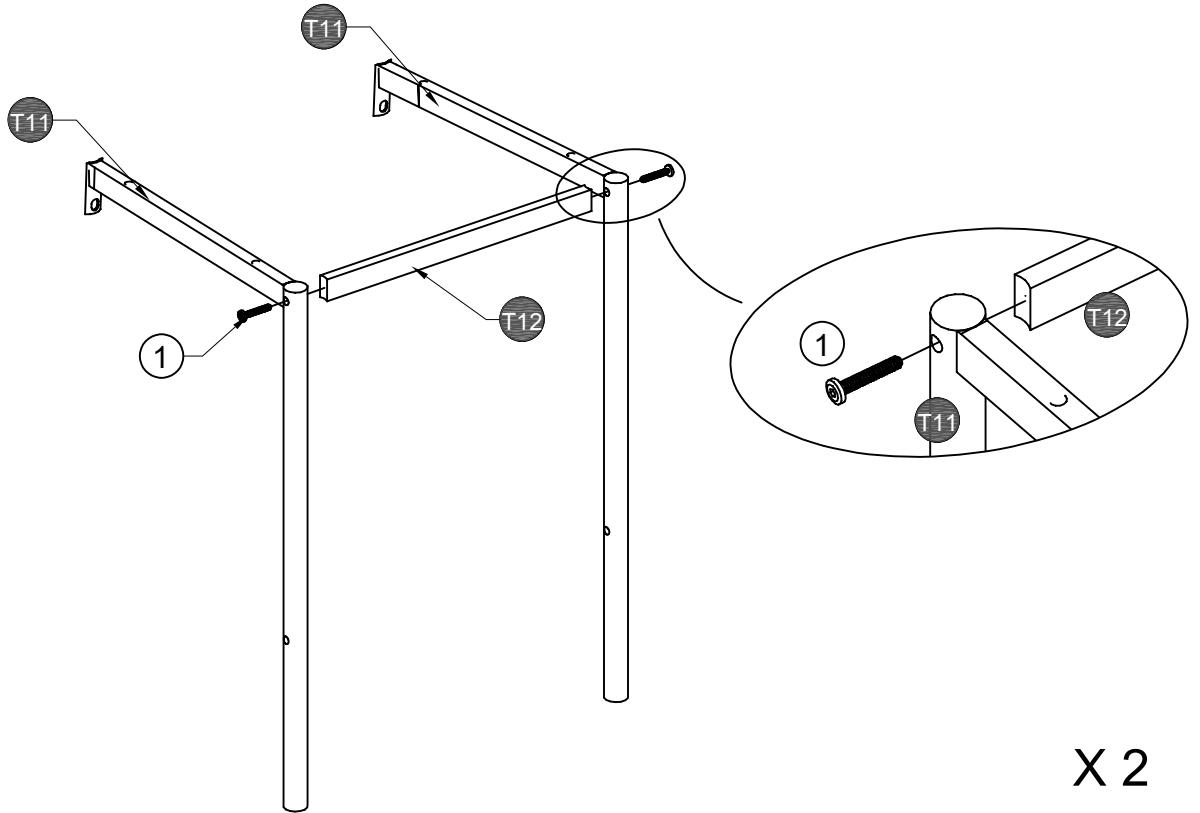
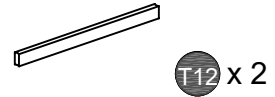
X 2



INSTALLATION STEPS

Step 1

M6x35mm



Step 2

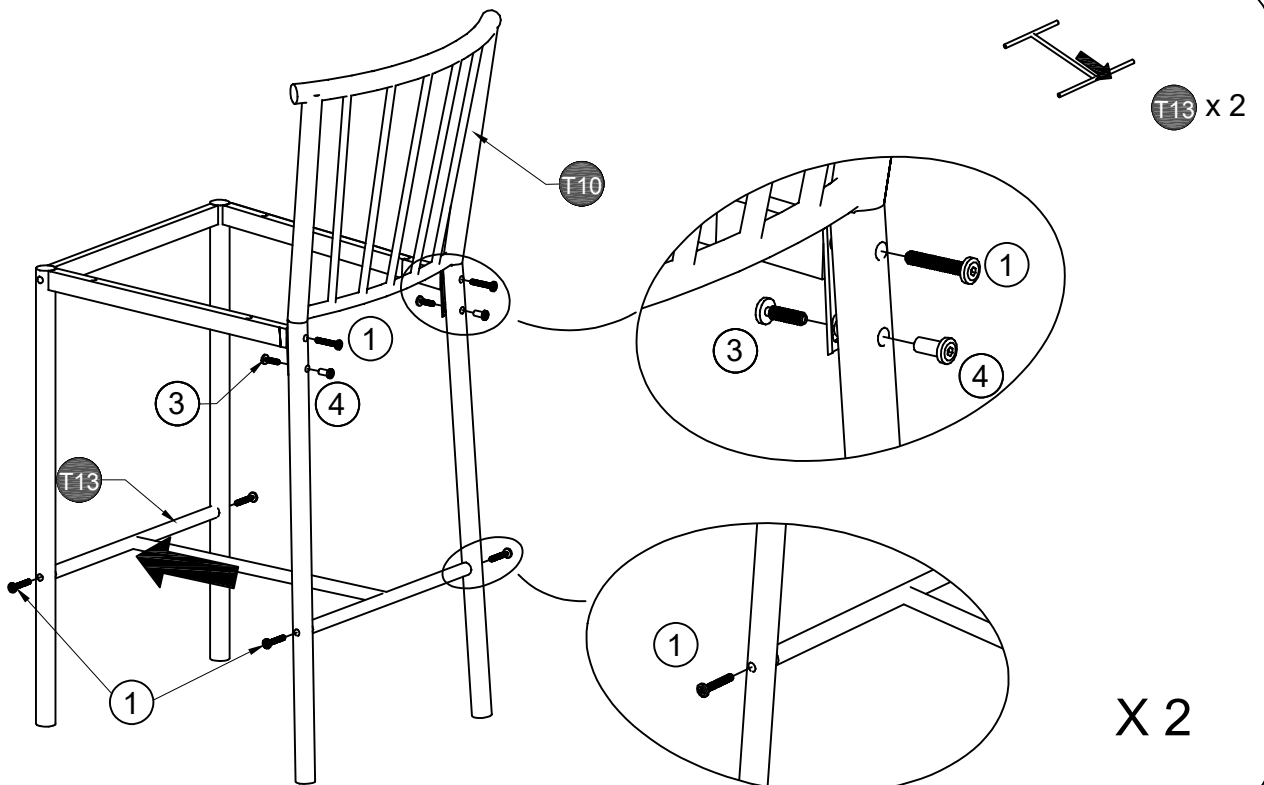
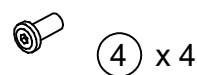
M6x35mm



M6x20mm



6x15



INSTALLATION STEPS

Step 3

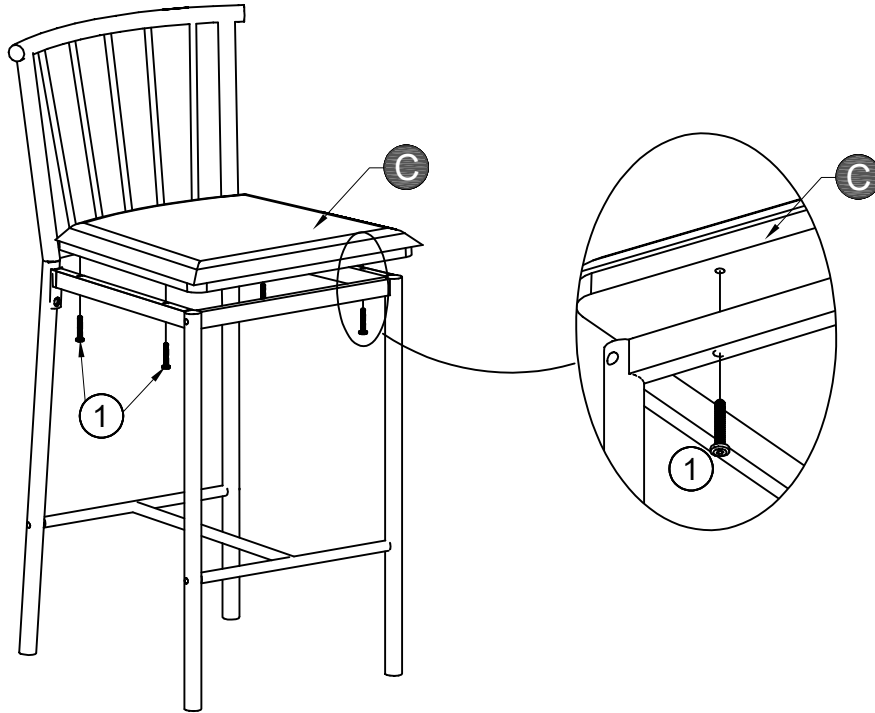
M6x35mm



① x 8



Ⓒ x 2



X 2

Step 4

D5x50mm



⑤ x 4



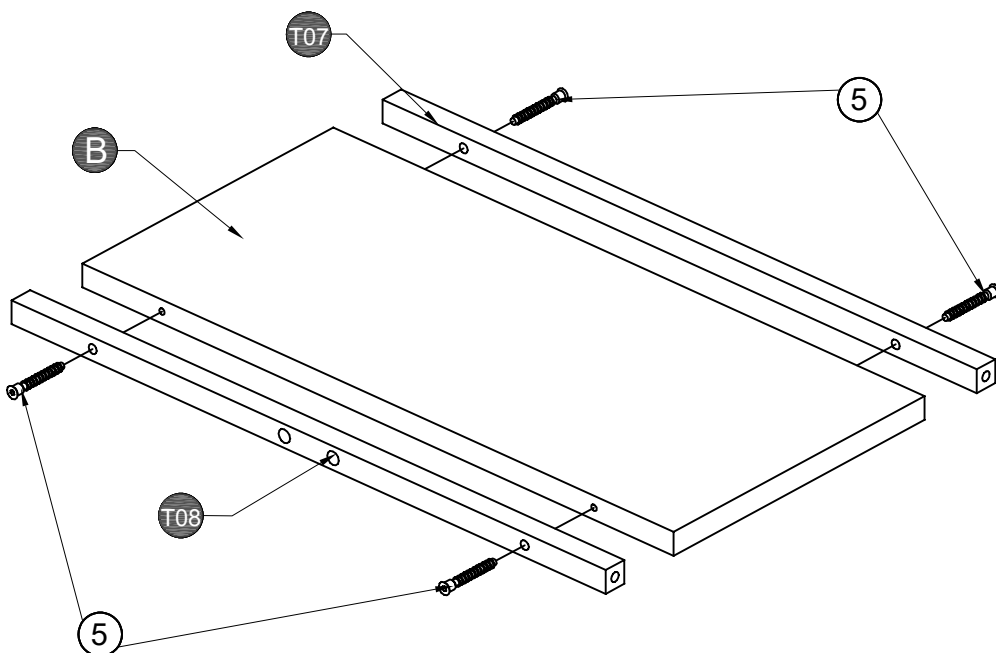
Ⓑ x 1



Ⓣ07 x 1



Ⓣ08 x 1



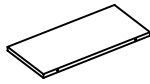
INSTALLATION STEPS

Step 5

D5x50mm



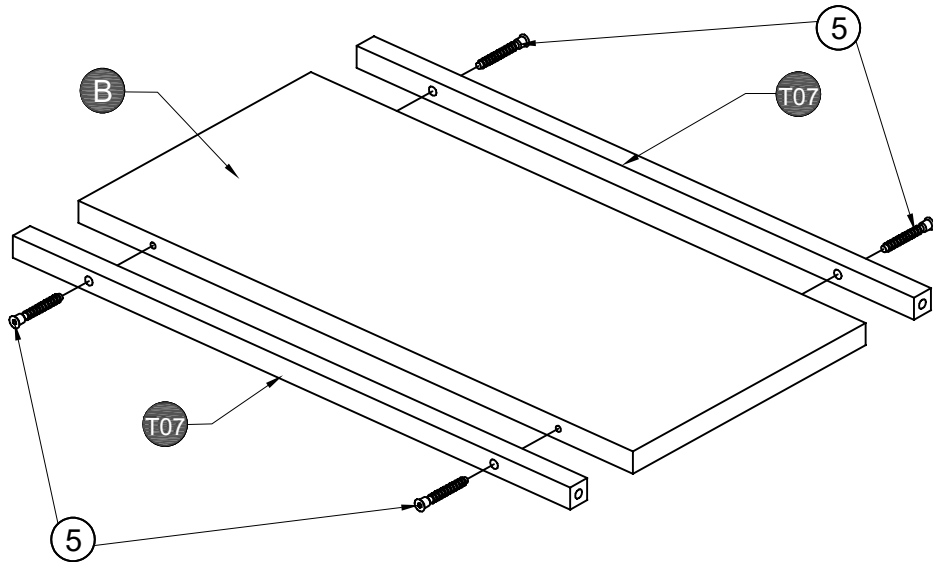
5 x 8



B x 2



T07 x 4



X 2

Step 6

M6x30mm



2 x 8



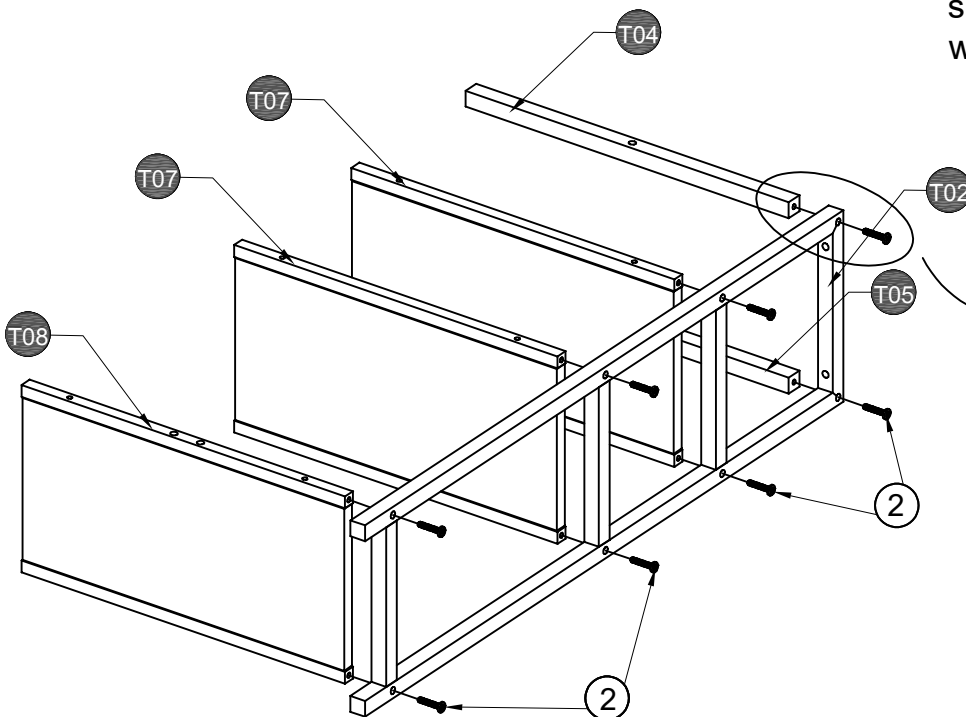
T02 x 1



T04 x 1



T05 x 1



NOTE: The two side holes of T08 is supposed to be at the same side with the one side hole of T04.

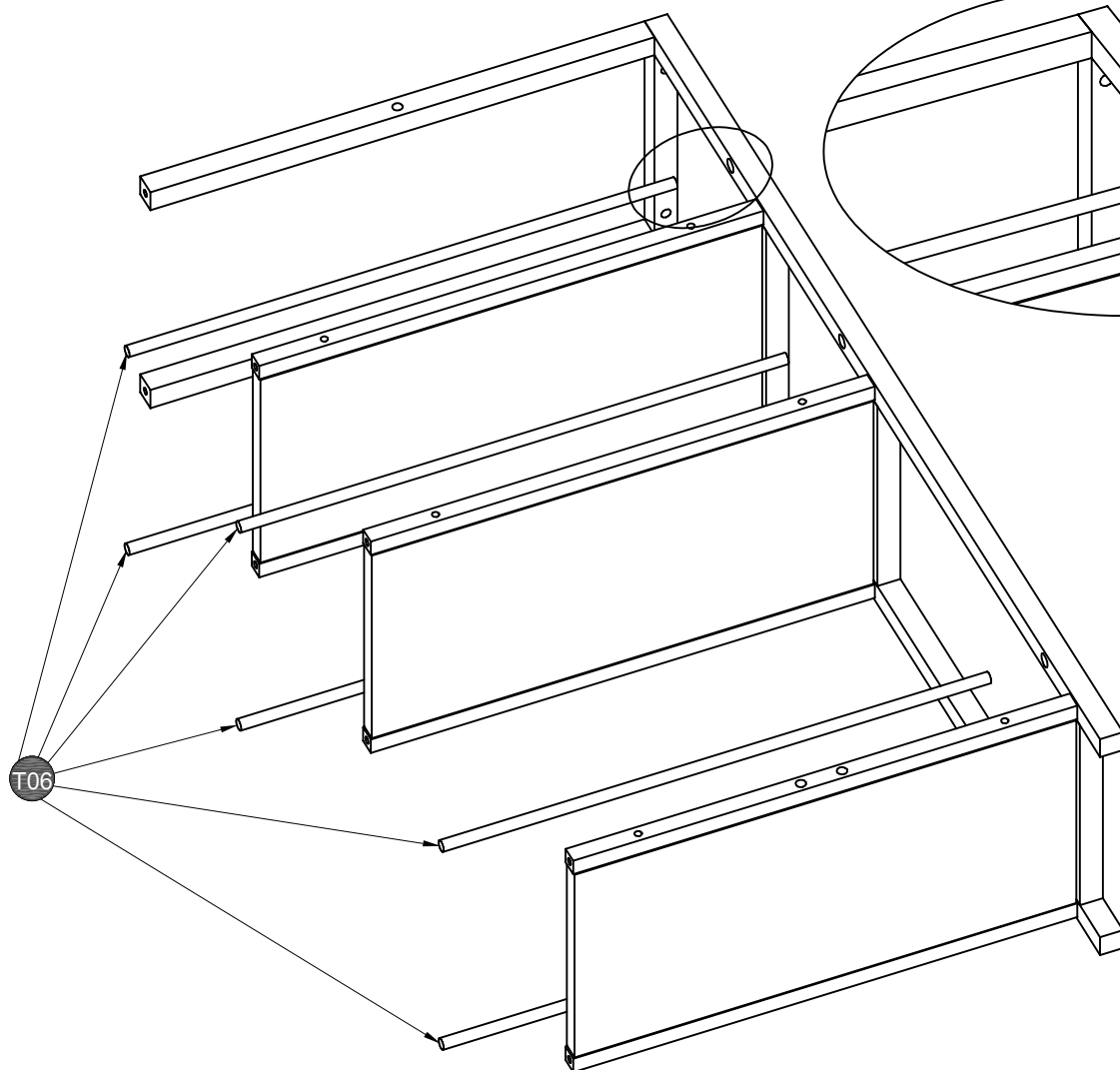
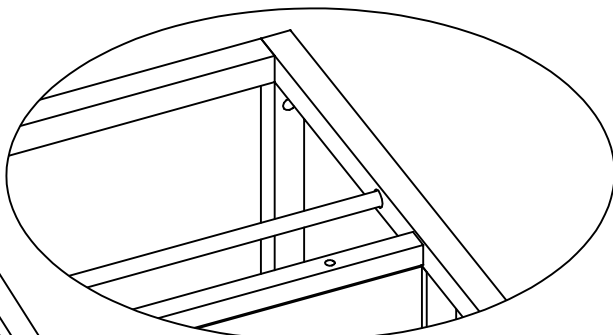
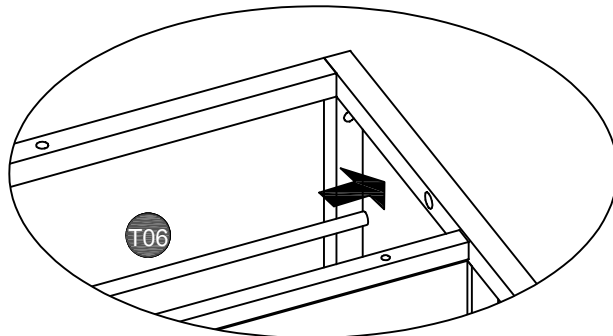
INSTALLATION STEPS



Step 7



T06 x 6



INSTALLATION STEPS

Step 8

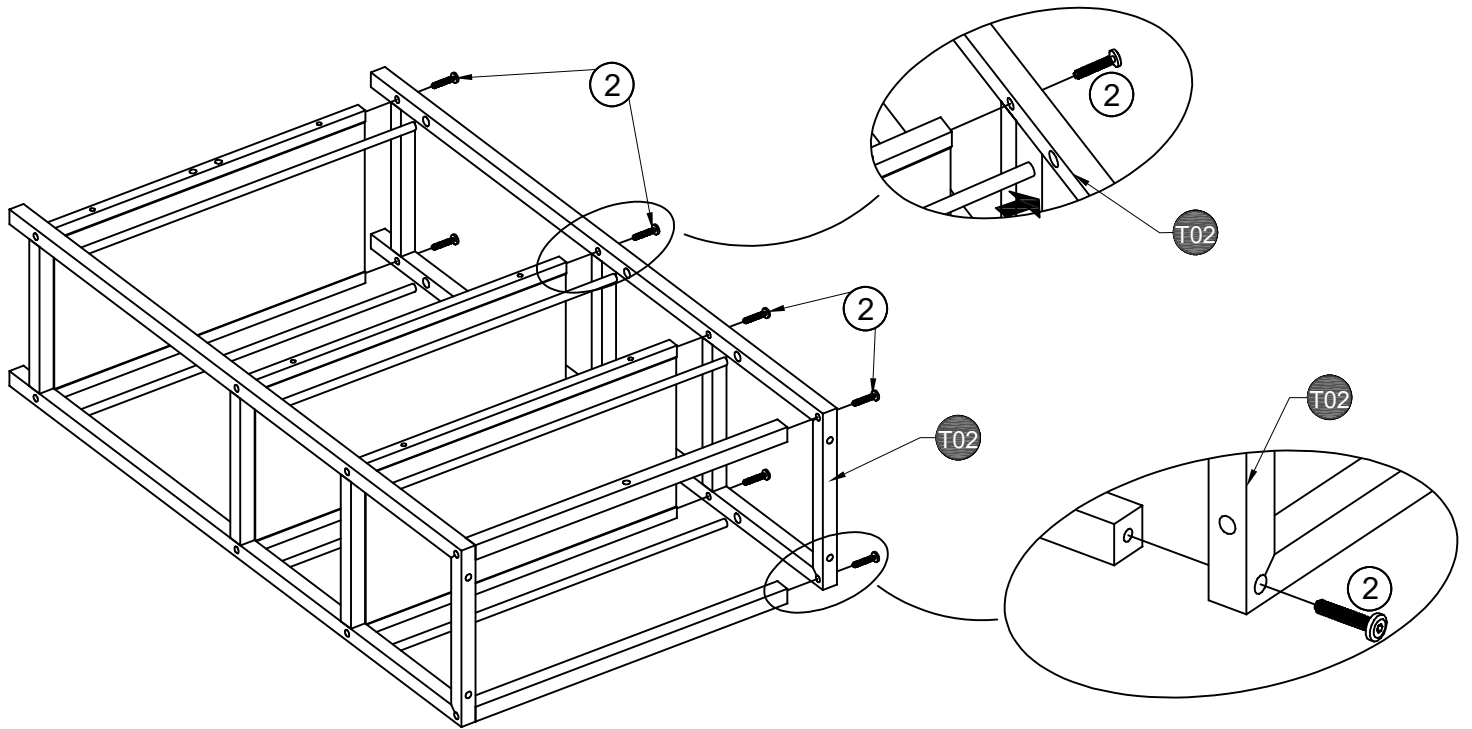
M6x30mm



2 x 8



T02 x 2



Step 9

M6x30mm



2 x 3

M6x12mm



6 x 2



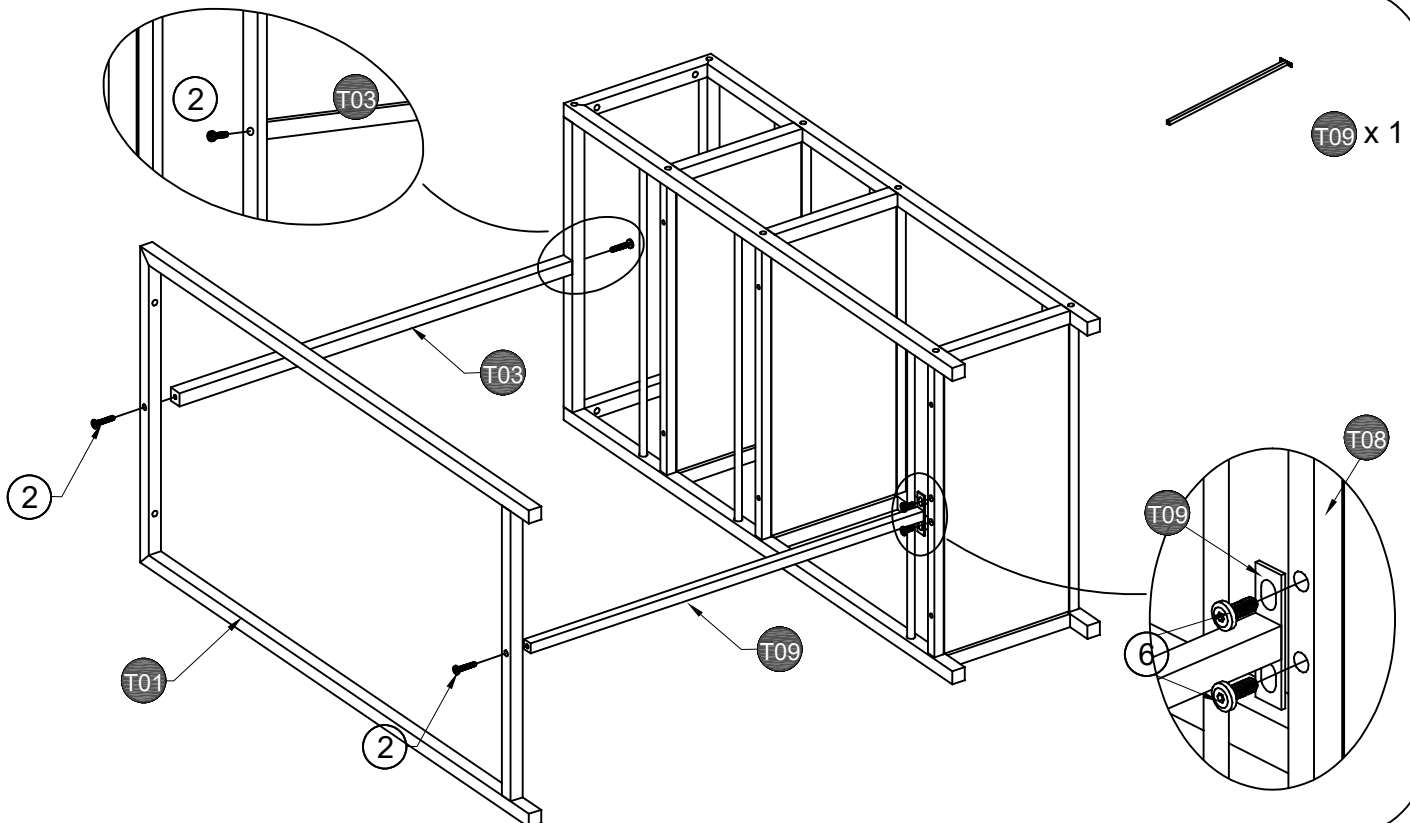
T01 x 1



T03 x 1



T09 x 1



INSTALLATION STEPS



M6x30mm

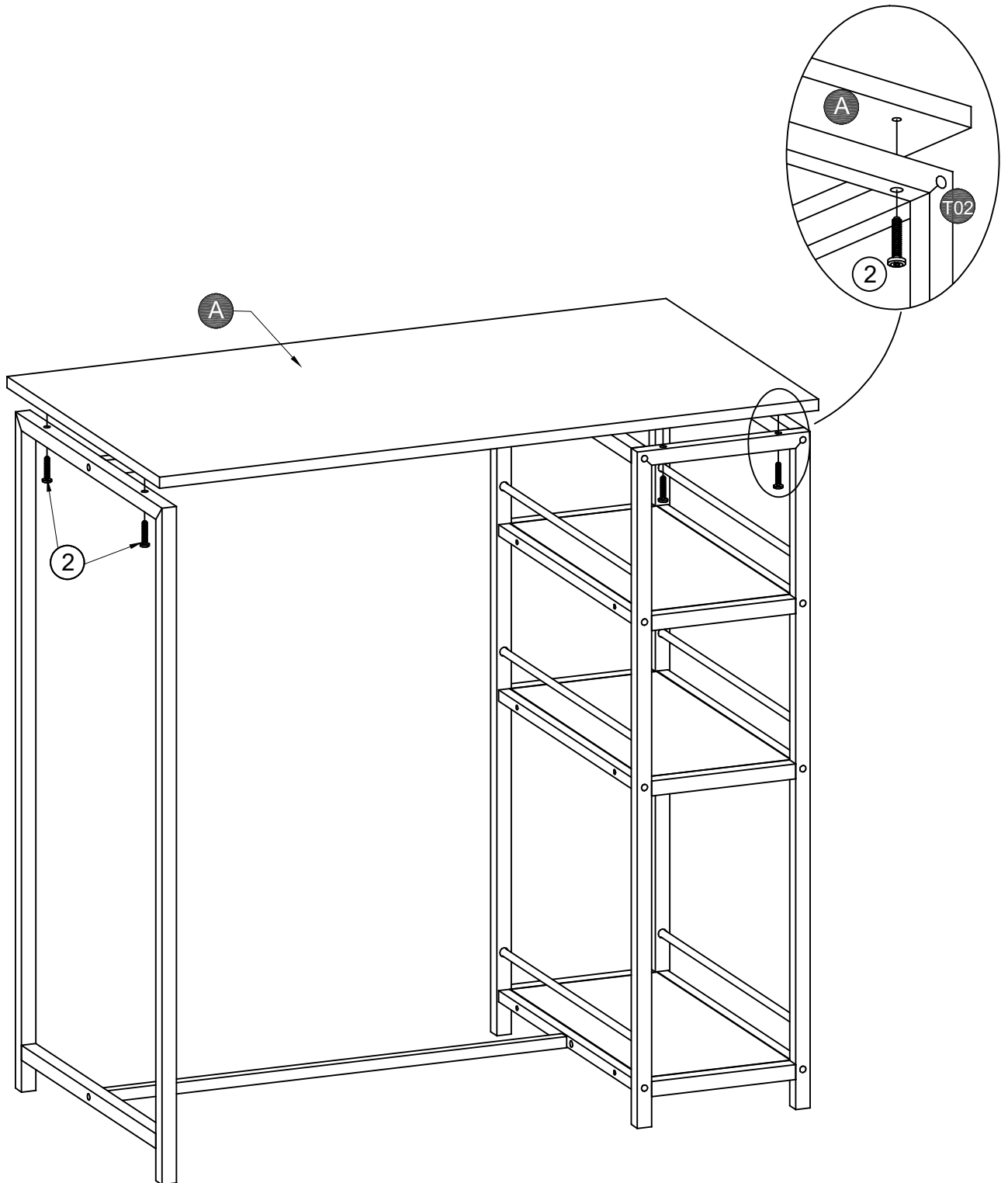
Step 10



② x 6



Ⓐ x 6





Step 11

Finished assembly



Warning

Seller is responsible for the product-related issues occurred upon receipt, but will not be responsible for the personal injury, property damage or loss resulting from the incorrect assembly, improper use, inadequate maintenance or neglect of this product.