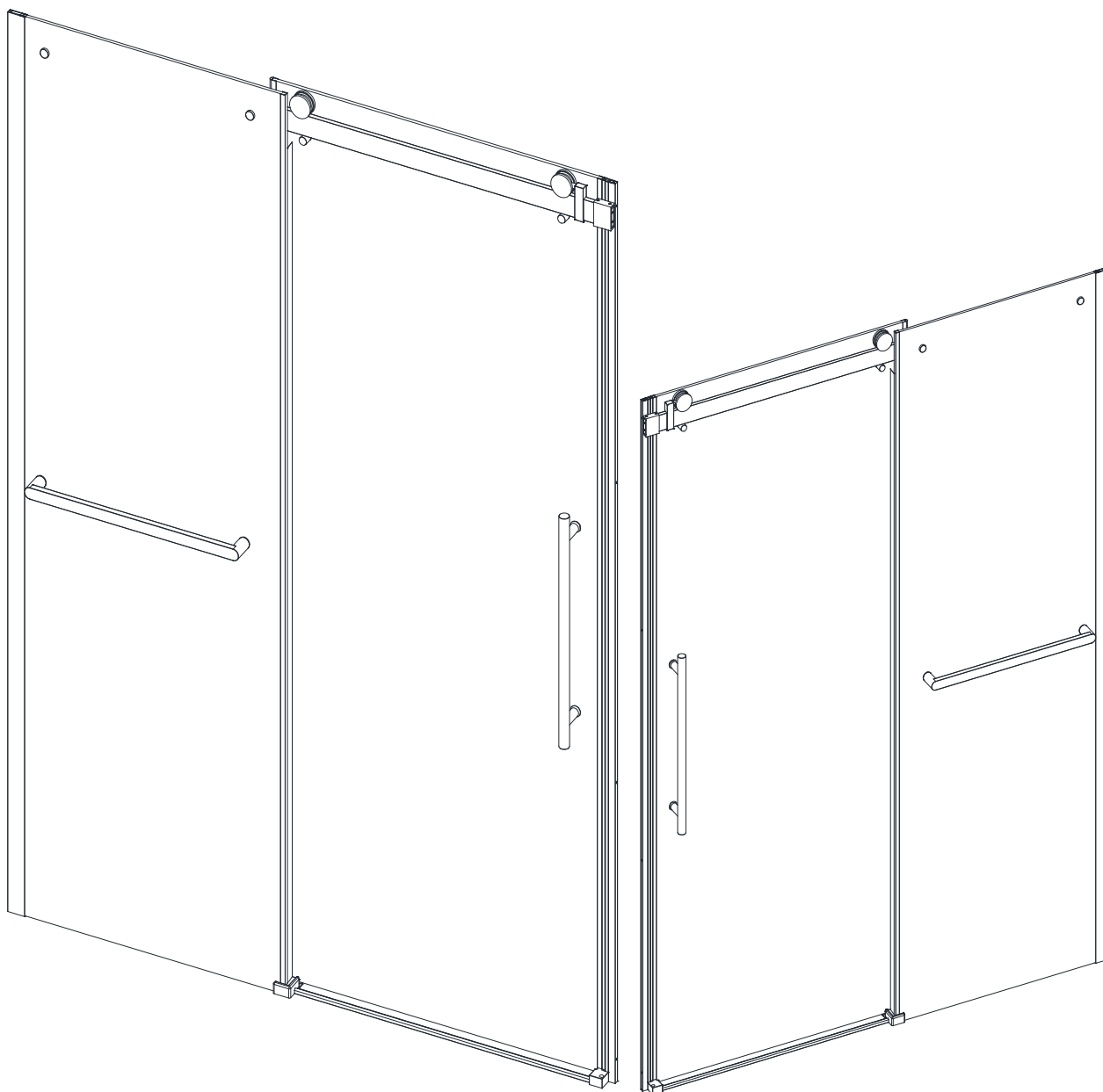


Shower Door Installation Instructions



Reversible For a Left or Right Door



Warranty & Returns

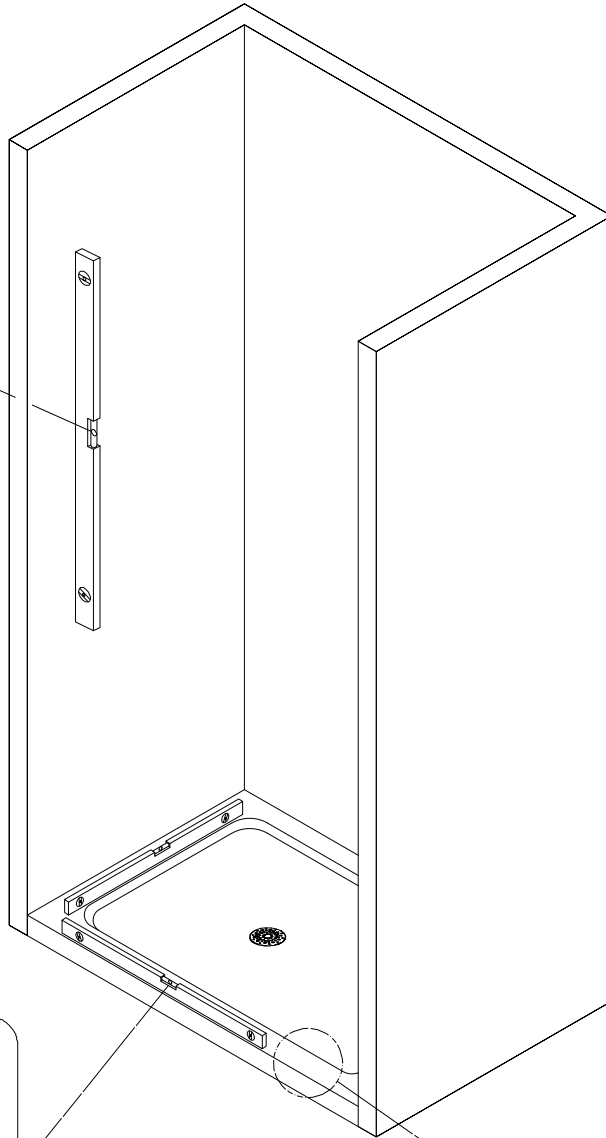
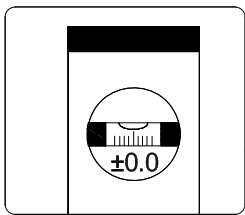
Please do not return the product to the store. Contact us with any questions by scanning the QR code to get more services.

Customer Service Phone: (1) 844-465-0168
Email: After-sale-service-QA@outlook.com

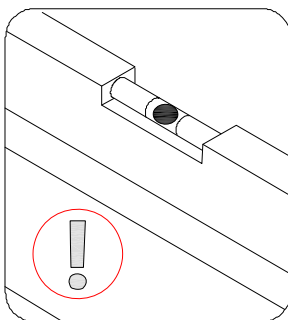
Model Specific Preparation



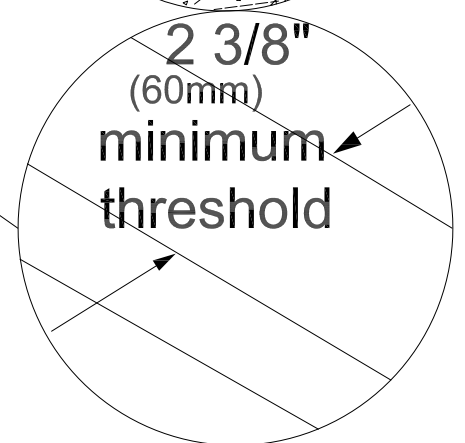
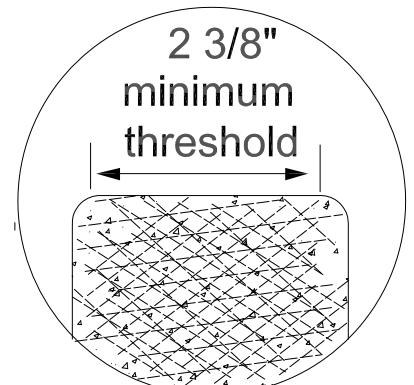
REQUIRED:



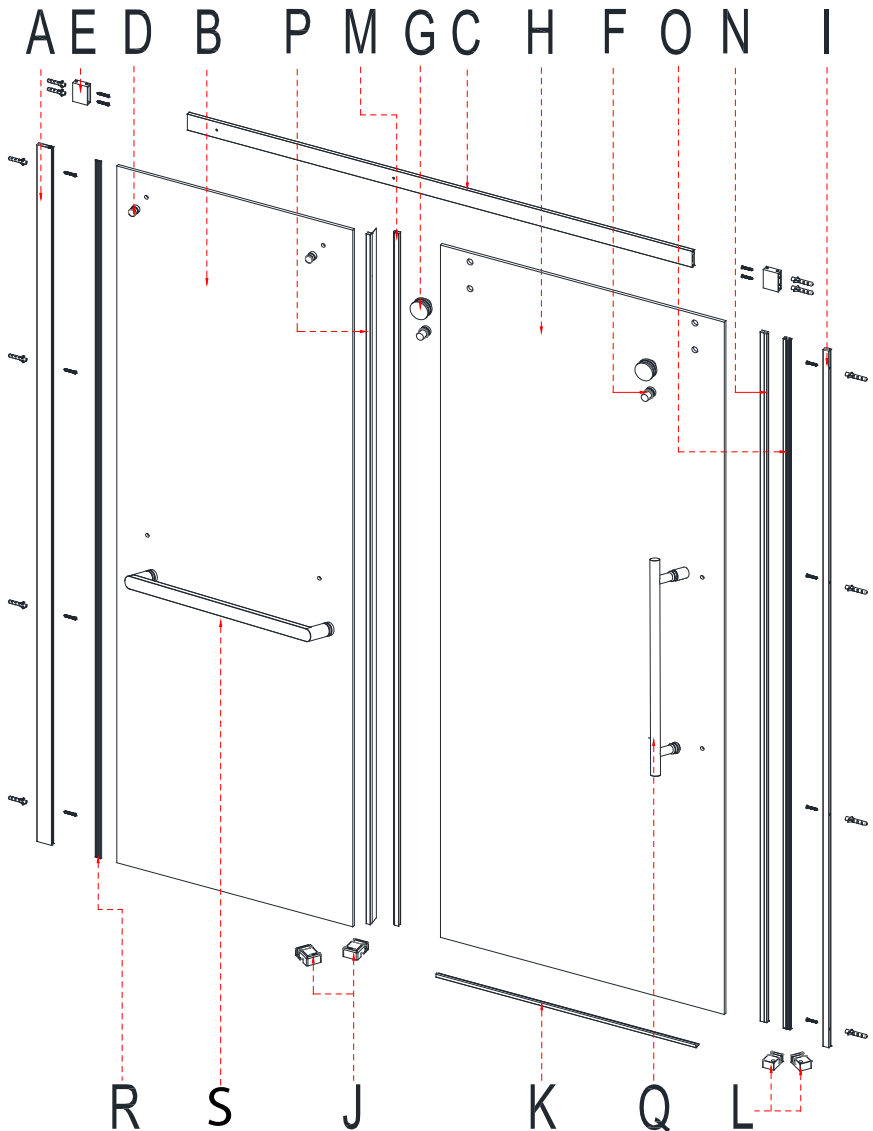
3/8" (10mm)
Out-of-Plumb
Adjustment within
the Wall Profile;
Verify threshold and
walls with a level.



Threshold must be level



PACKAGE CONTENT

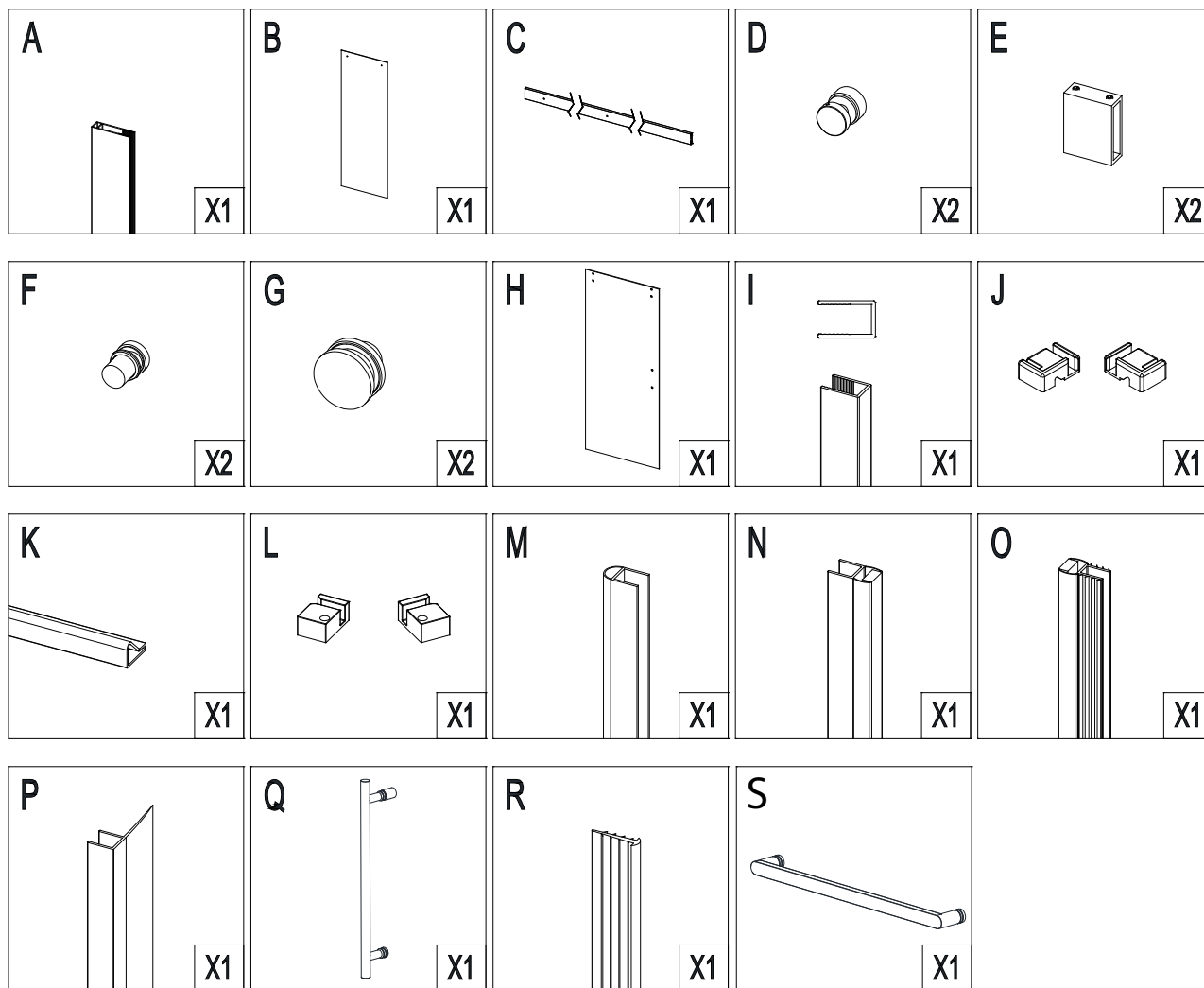


PACKAGE CONTENT

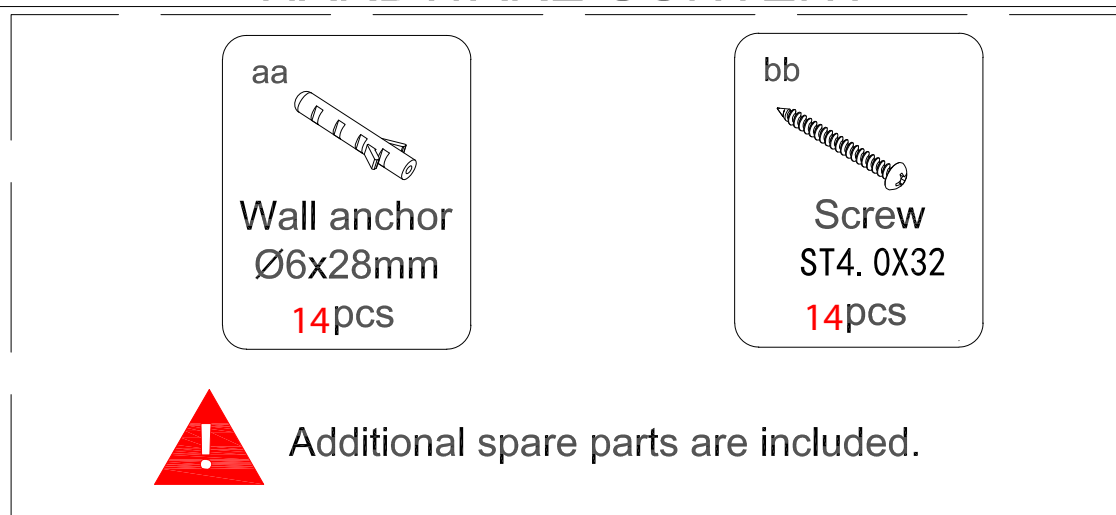
PART#	DESCRIPTION	QTY
A	Wall Jamb	1
B	Door Glass A	1
C	Guide Rail Brackets	1
D	Fixed Screws	2
E	Wall Connector	2
F	Anti-jump bead	2
G	Rollers	2
H	Door Glass B	1
I	Wall Strip	1
J	Fixed slider components L/R	1

PART#	DESCRIPTION	QTY
K	Anti-Splash Guard	1
L	Side slider components L/R	1
M	Buffer airbag strip	1
N	Buffer airbag magnetic strip	1
O	Fixed buffer airbag magnetic strip	1
P	F-type water barrier strip	1
Q	Handle	1
R	Single-sided rubber stri	1
S	Towel Bar	1

PACKAGE CONTENT



HARDWARE CONTENT

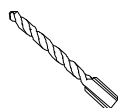


NOTE

Inspect all parts for missing prior to installation!
Contact us for any part missing.

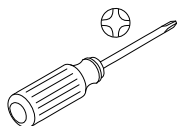
TOOLS REQUIRED

Drill Bits

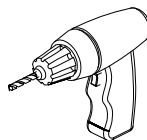


3.2/6mm dia.
HSS

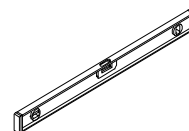
Screw Driver



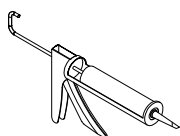
Drill



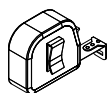
Level



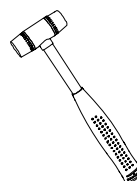
Silicone



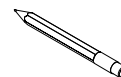
Measuring Tape



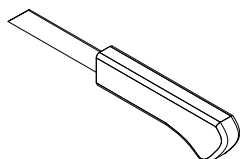
Soft Head
Hammer



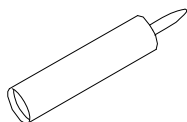
Pencil



Knife



Sealant



MASONRY DRILL
BIT FOR TILE
Ø6mm



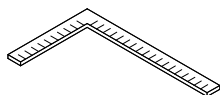
Safety Glasses



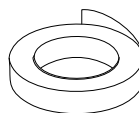
Glove



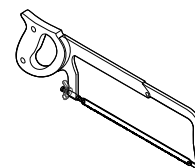
Carpenter's Squarer



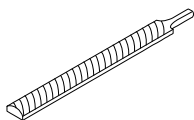
Masking or painter's
tape



Hack Saw



Metal File



SAFETY INFORMATION

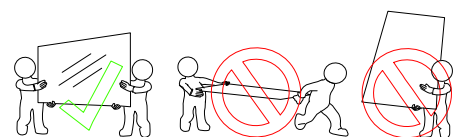
CAUTION

Please carefully read the following important safety information before handling or installing this shower. There is a risk of serious injury while handling this product.

To minimize these risks, please note:

- Always wear safety glasses and gloves while handling.
- Always follow the installation instructions.
- Inspect glass for damage before installation.
- Extreme caution should be taken while handling the glass during installation as the tempered glass may shatter if in contact with a hard surface.
- Do not cut or modify the tempered glass as it will shatter if cut.
- Carefully remove product from packaging and keep packaging until installation is complete.
- Inspect all parts for damage or missing; if there is damage or part missing to the unit prior to installation, please contact customer service at the number provided in this guide.
- Cover the drain with tape to prevent the loss of small parts.
- The shower base and finished walls should be installed before beginning the shower door installation.
- During the installation, protect the shower floor with a drop cloth to avoid damage.
- This product should be installed by two people who are familiar with construction requirements. Professional installation is recommended!
- Keep this installation manual for future reference.

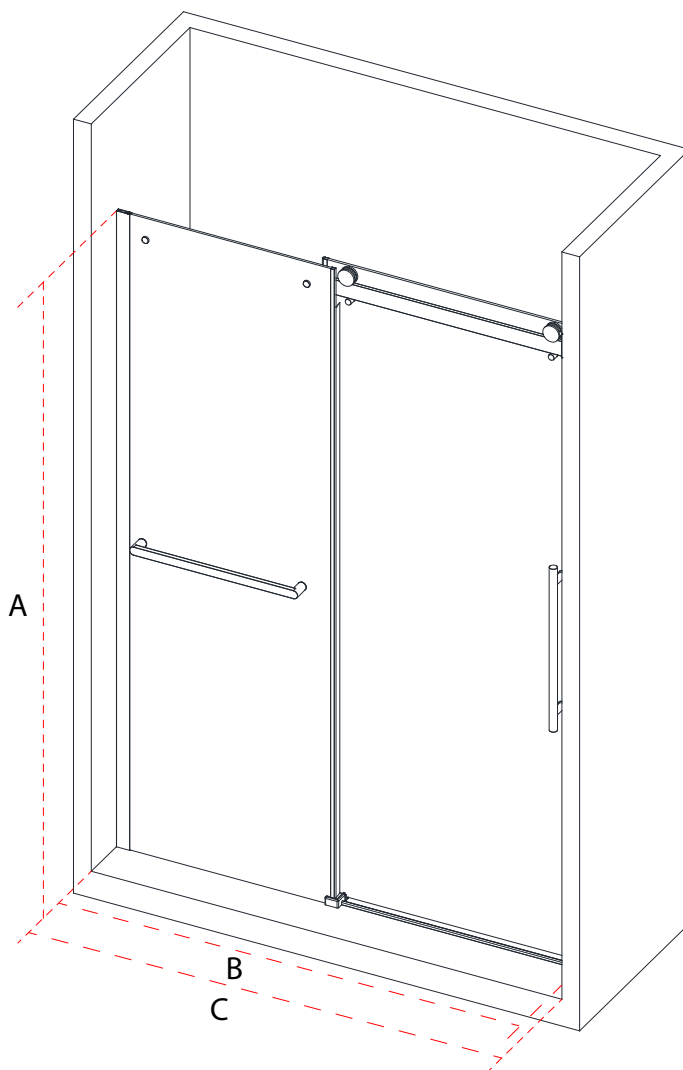
NOTE: Two people should perform this installation.



Model Dimensions

configuration dimensions:

A Product Height	B Model width	C Installation width
75"	60"	56"~60.4"

**NOTE**

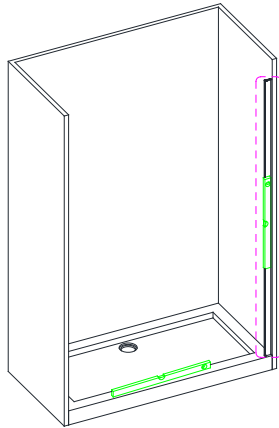
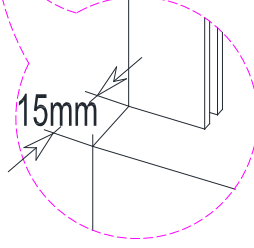
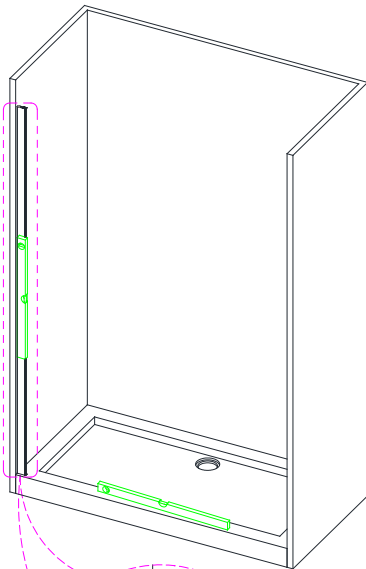
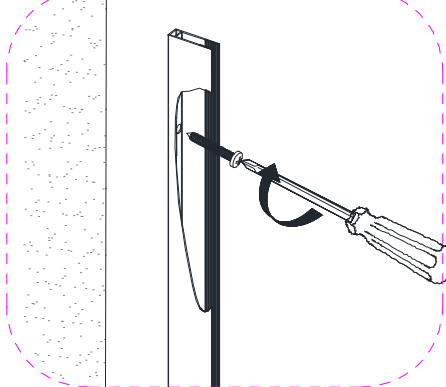
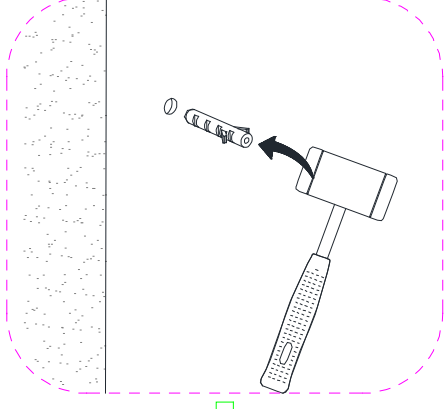
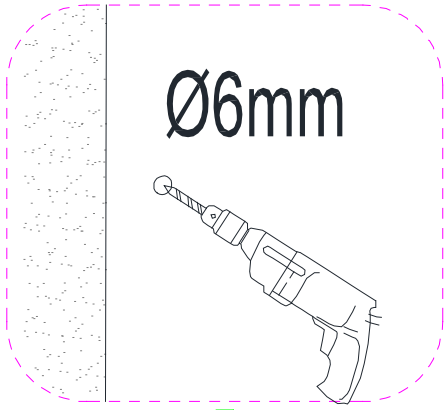
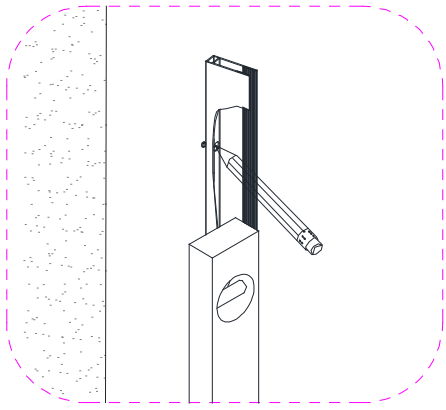
This model is reversible for right or left-hand door installation. The left-hand door installation is shown throughout this manual. For the right-hand door installation, simply begin on the opposite wall and reverse the orientation of the installation steps shown.

Wall Jamb (A) Installation

Single-sided rubber stri (R) Installation

NOTE

The wall edge trim (A) here should be kept perpendicular to the floor and the wall.



NOTE

When installing, the wall edge trim should maintain a minimum vertical distance of 15mm from the outermost wall surface.

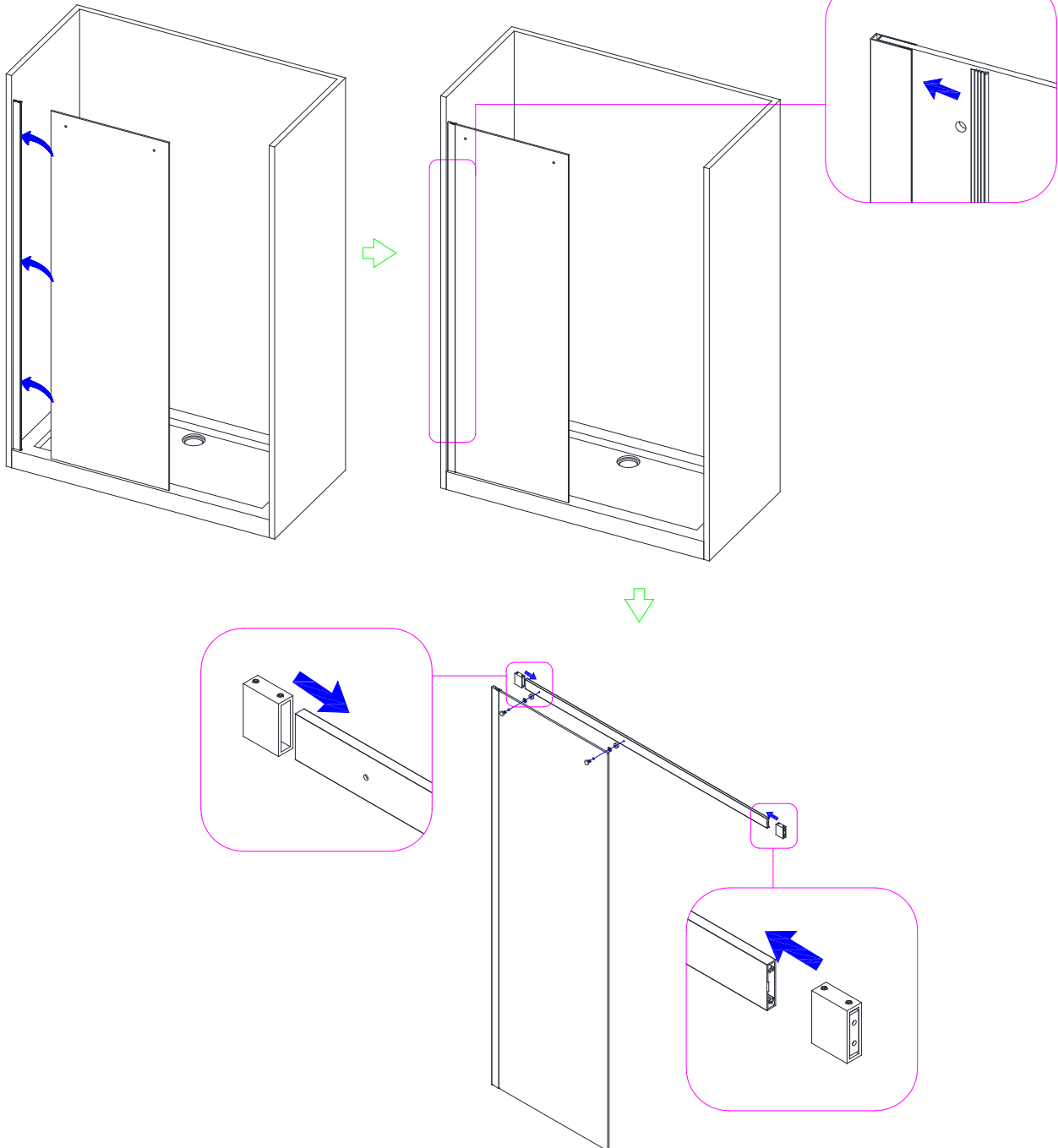
NOTE

- If a Stud is present behind the wall: drill a Ø3/16" (4mm) hole up to the stud, drill an Ø1/8" (3mm) pilot hole into the stud and use the ST4.0 x 30mm Pan Head Screws (bb) OR
- If No Stud is present behind the wall: drill a Ø1/4" (6mm) hole and insert the Wall Anchors (aa) and use the ST4.0 x 30mm Pan Head Screws (bb).

Door Glass A (B) Installation

NOTE

Note: The installation of the single-sided rubber strip occurs after the installation of the glass (A), and the glass (A) should be kept at the same horizontal level as the wall edge trim.

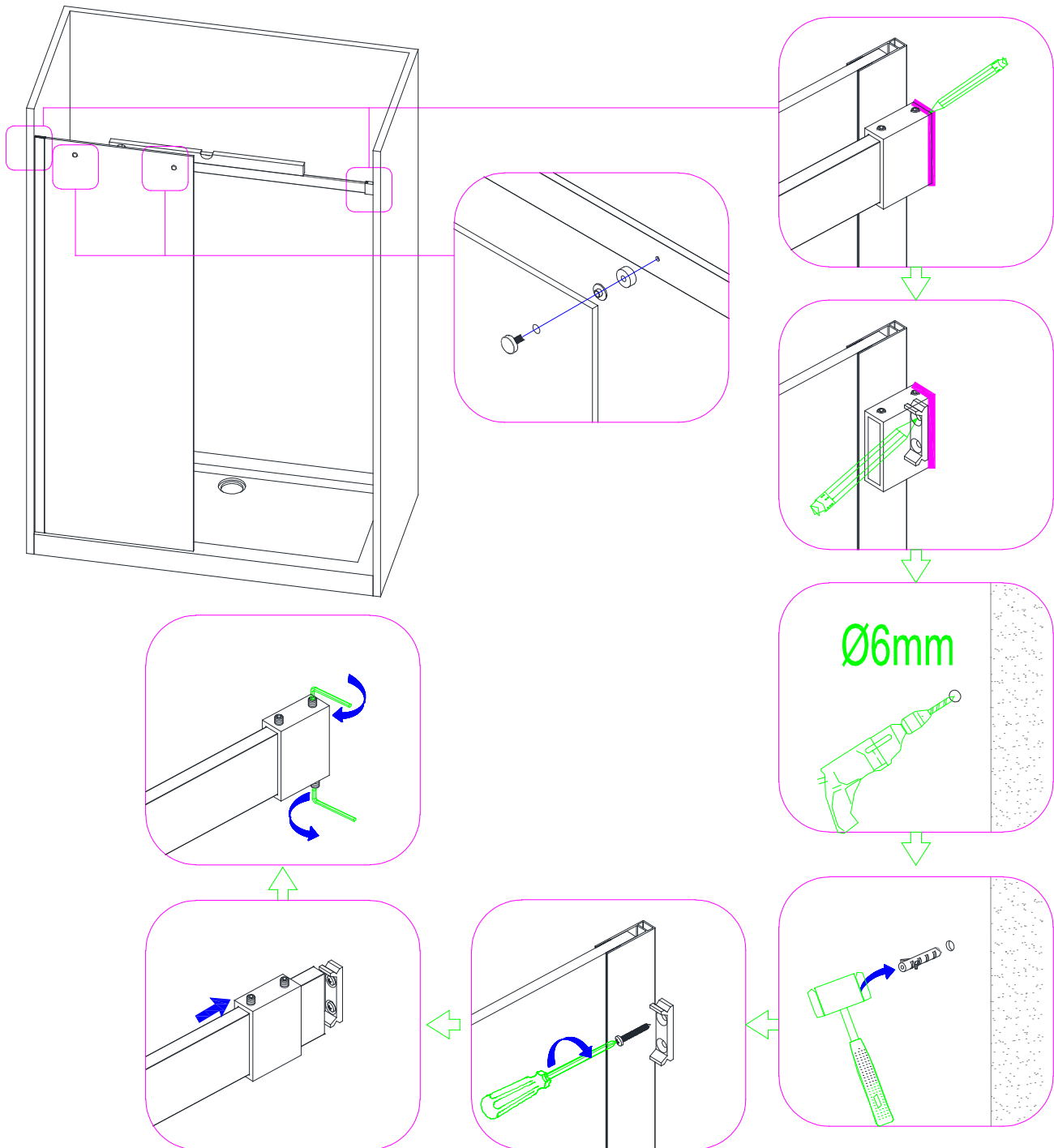


NOTE

Note: The installation of the guide rail (C) and the wall connector (E) here is only a fitting and does not require any fixing method.

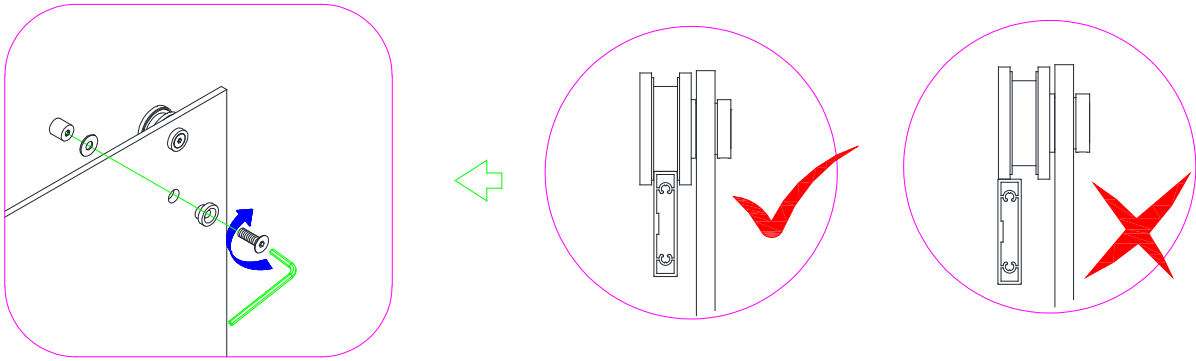
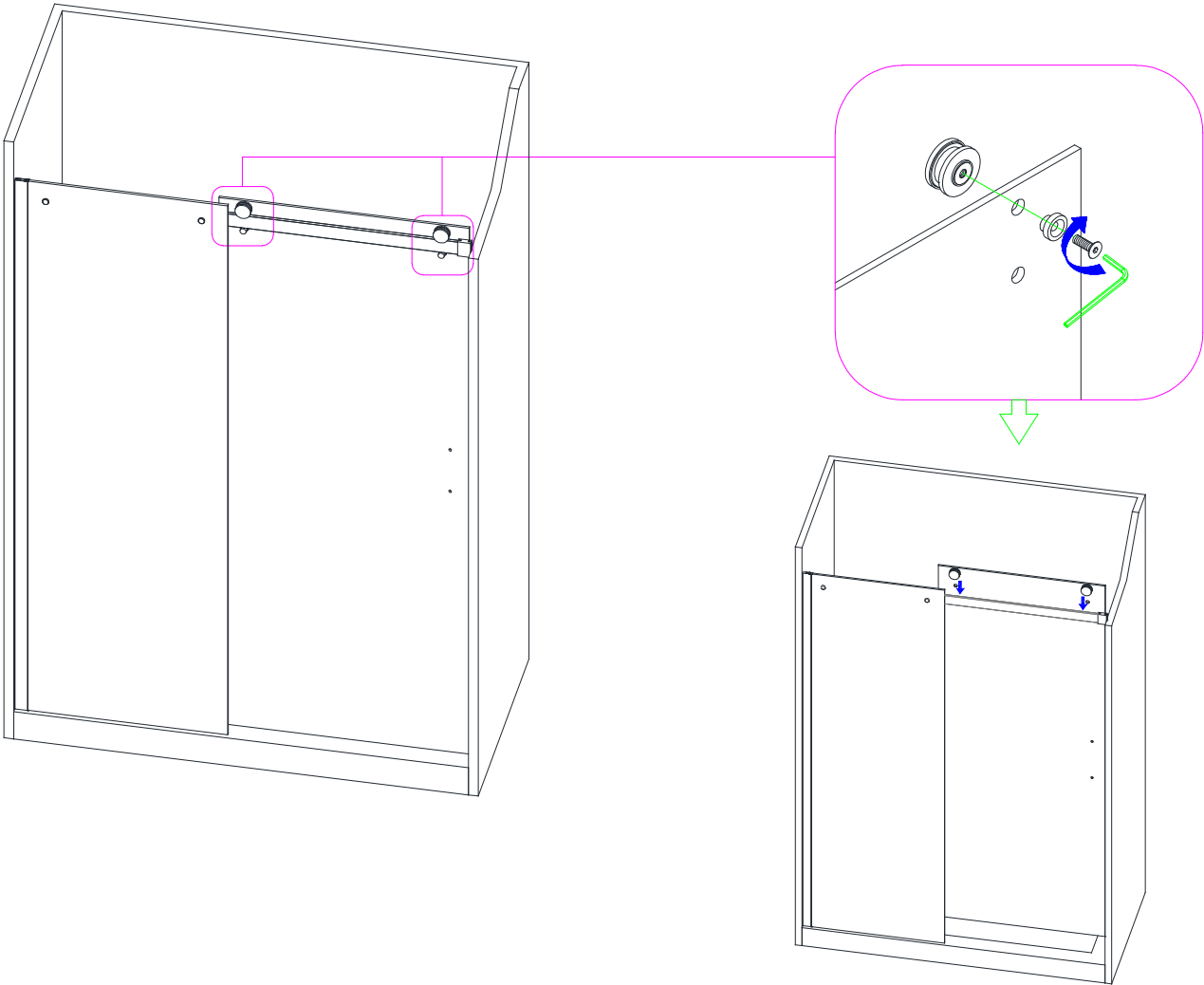
Guide Rail Brackets (C) Installation Wall Connector (E) Installation

Before marking the dimensions, ensure that the guide rail (C) is parallel to the floor and perpendicular to the wall.



When installing the guide rail (C), do not position it too close to the wall edge trim. Before installation, confirm the allowable distance for the fixing screws (D) relative to the glass (A).

Door Glass B (H) Installation
Anti-jump bead (F) Installation
Rollers (G) Installation



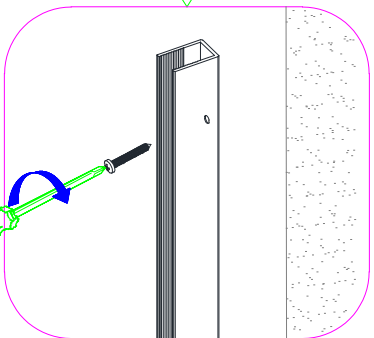
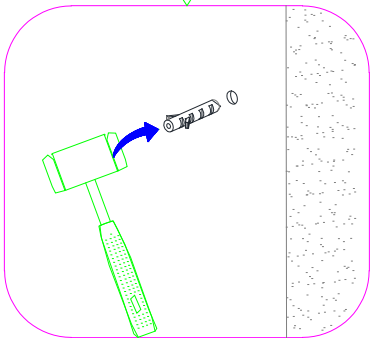
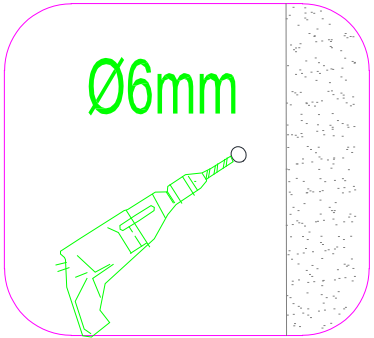
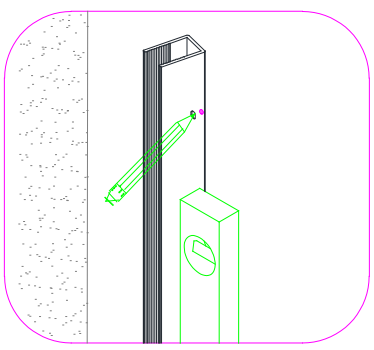
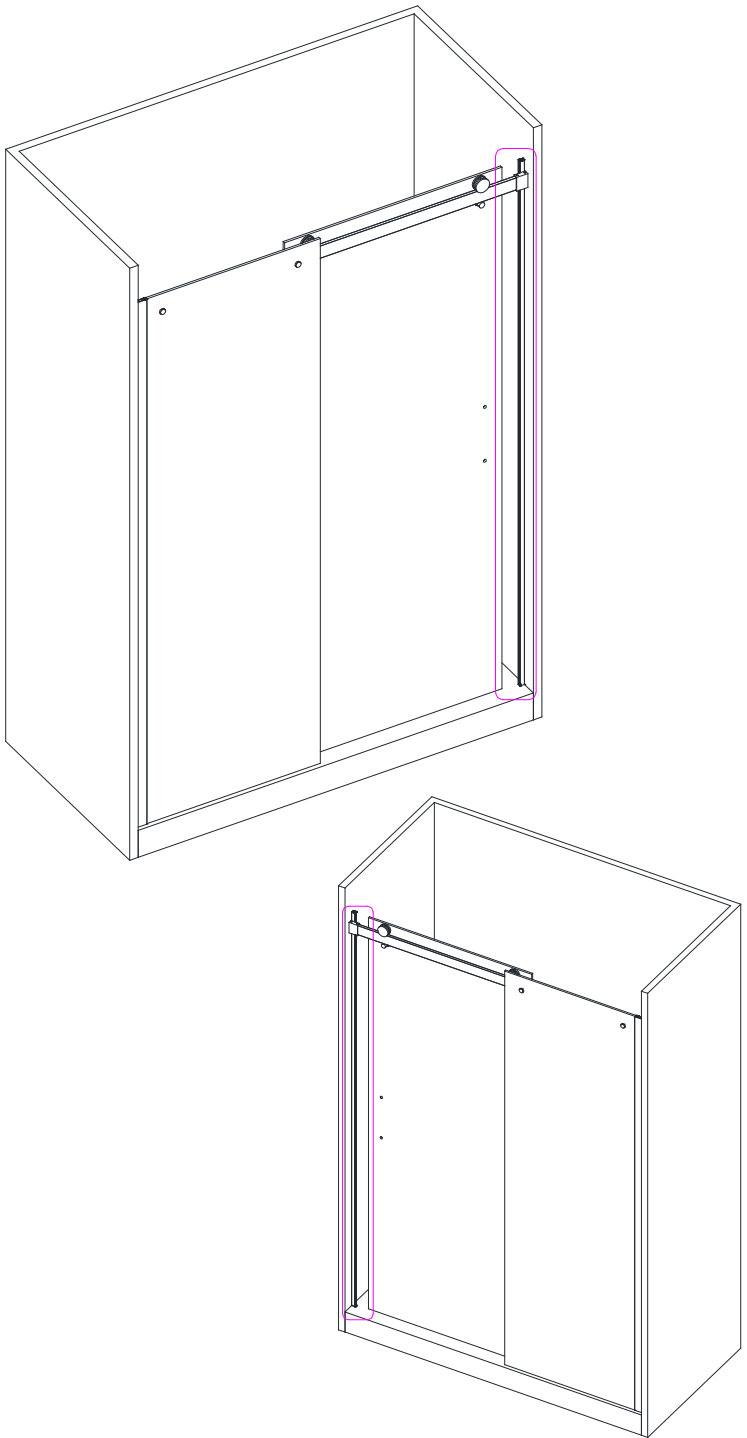
NOTE

When placing the glass(B)with the installed rollers onto the guide rail(C),ensure that the rail is locked into the roller's groove and install the anti-jump beads.This design will prevent glass(B) from being dislodged from the guide rail due to potential impacts.

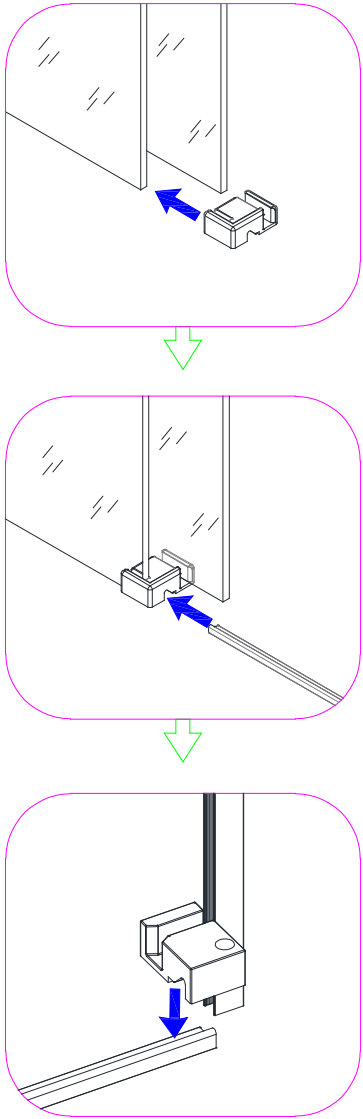
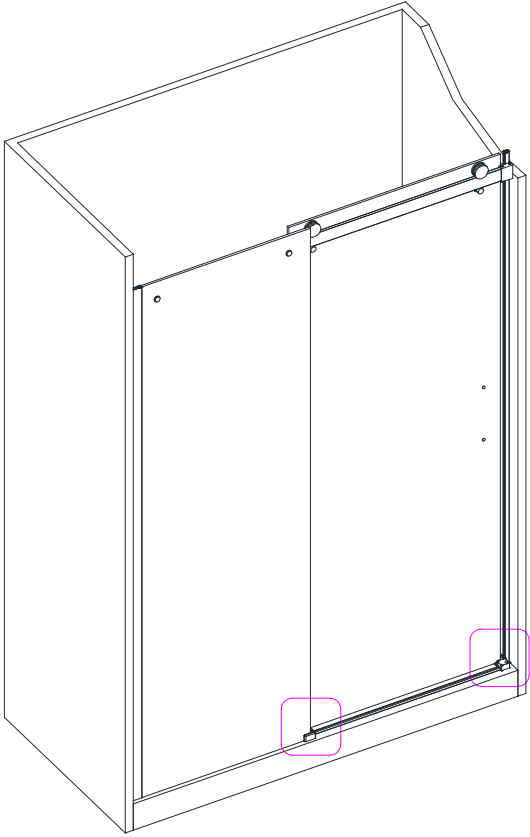
Wall Strip (I) Installation

NOTE

When installing the wall trim, it is important to ensure that the trim remains perpendicular to both the wall and the floor at all time.



Fixed slider components L/R (J) Installation
Anti-Splash Guard (K) Installation
Side slider components L/R (L) Installation



NOTE

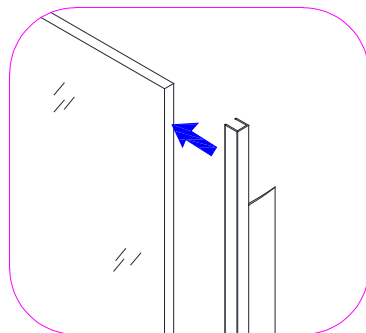
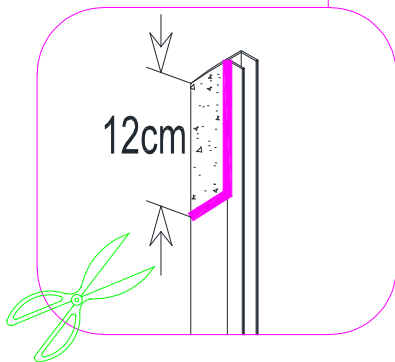
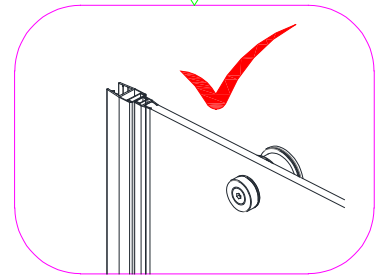
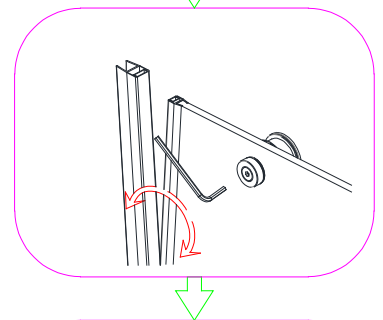
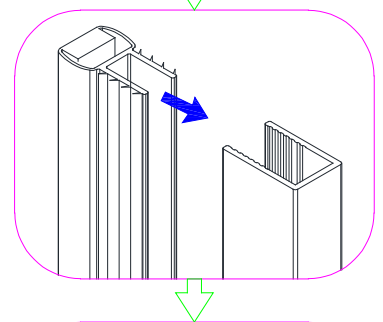
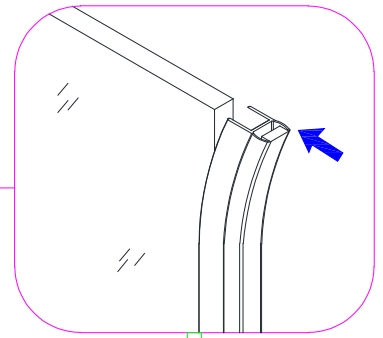
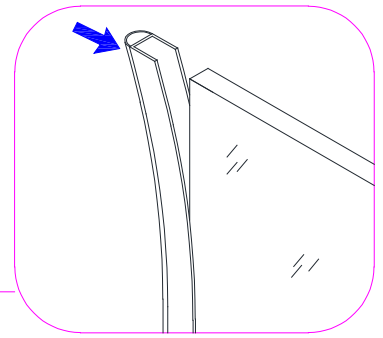
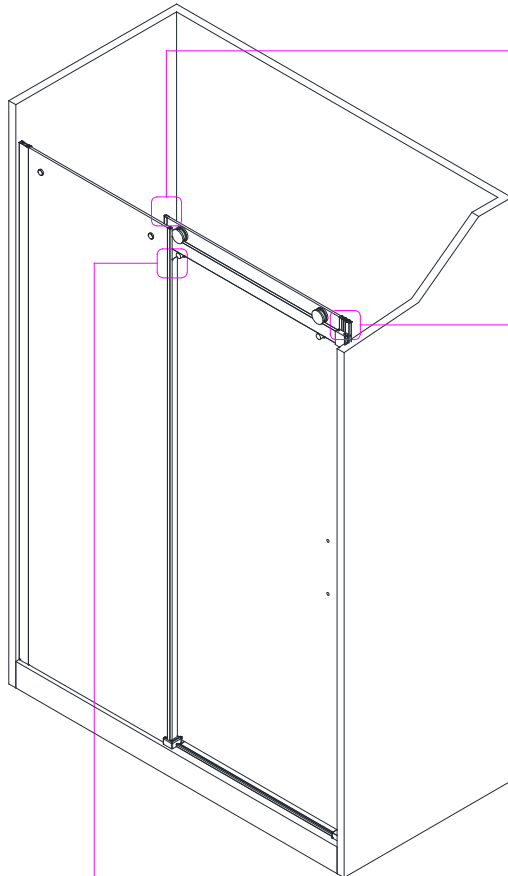
In the final step of the installation, ensure that glass(B) can pass through its groove without any collisions.

Buffer airbag strip (M) Installation

Buffer airbag magnetic strip (N) Installation

Fixed buffer airbag magnetic strip (O) Installation

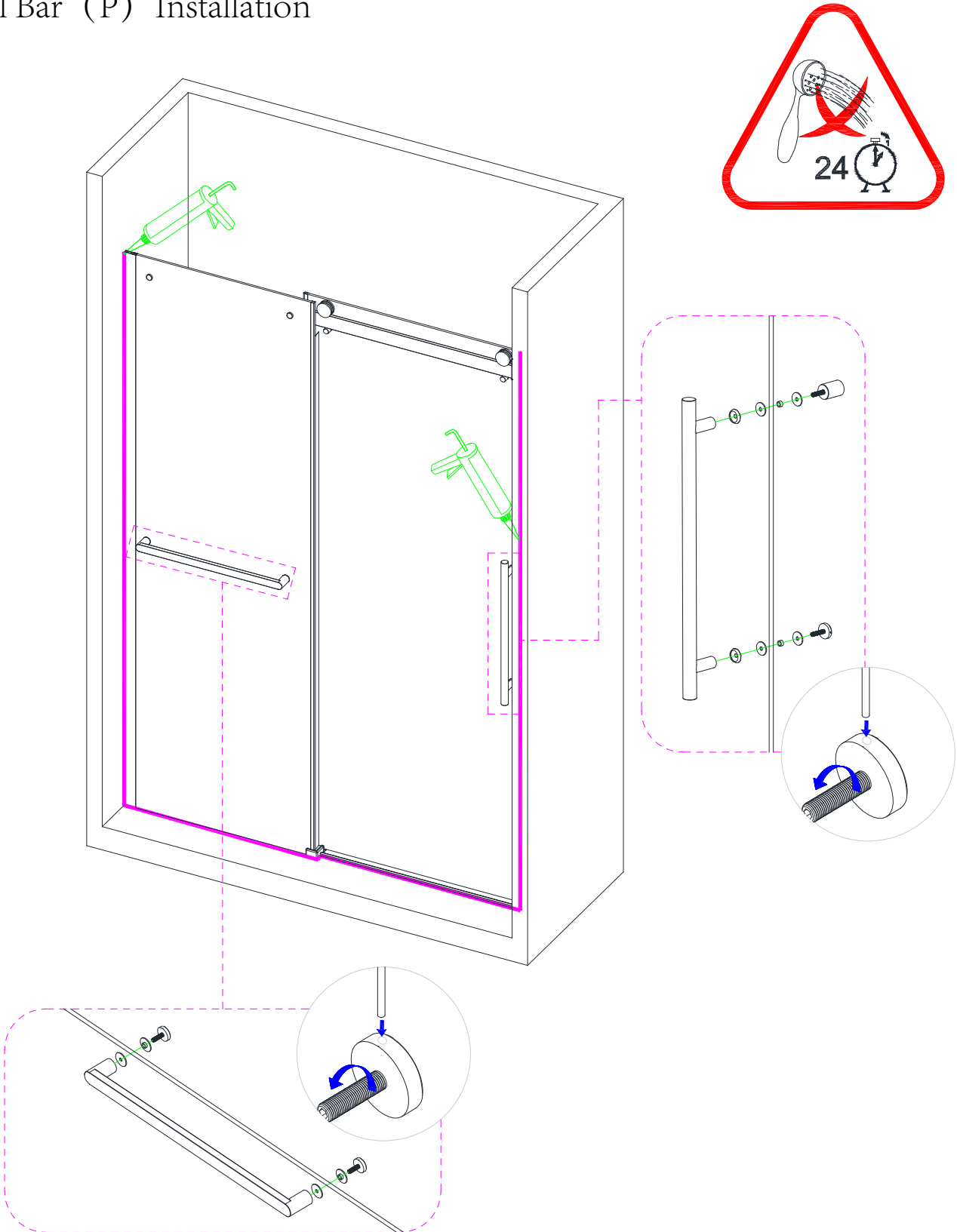
F-type water barrier strip (P) Installation



NOTE

The 12cm length cut from the panel here is to prevent interference with the operation of glass(B).

Handle (Q) Installation
Towel Bar (P) Installation



NOTE

Please ensure that the adhesive section does not come into contact with any liquids within 24 hours after the bonding step is completed to prevent leakage due to a failure in the bonding process.