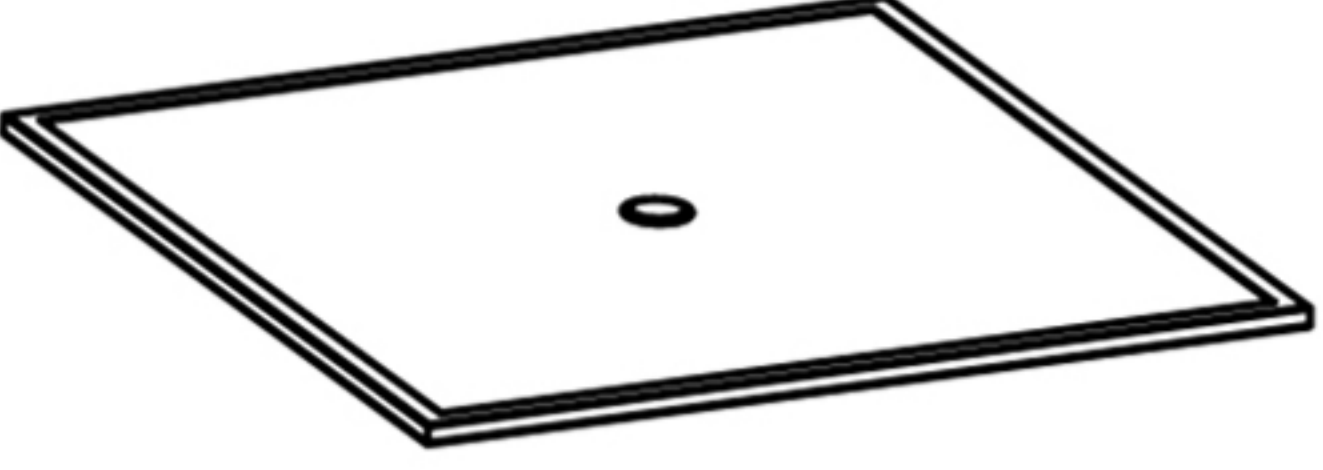

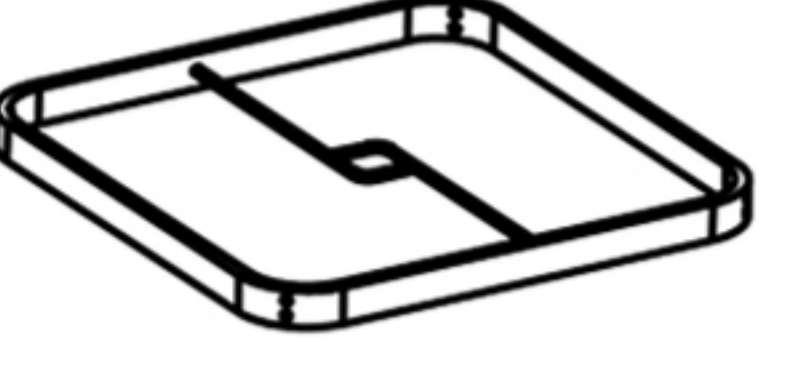







Patio Square Dining Table Assembly Manual



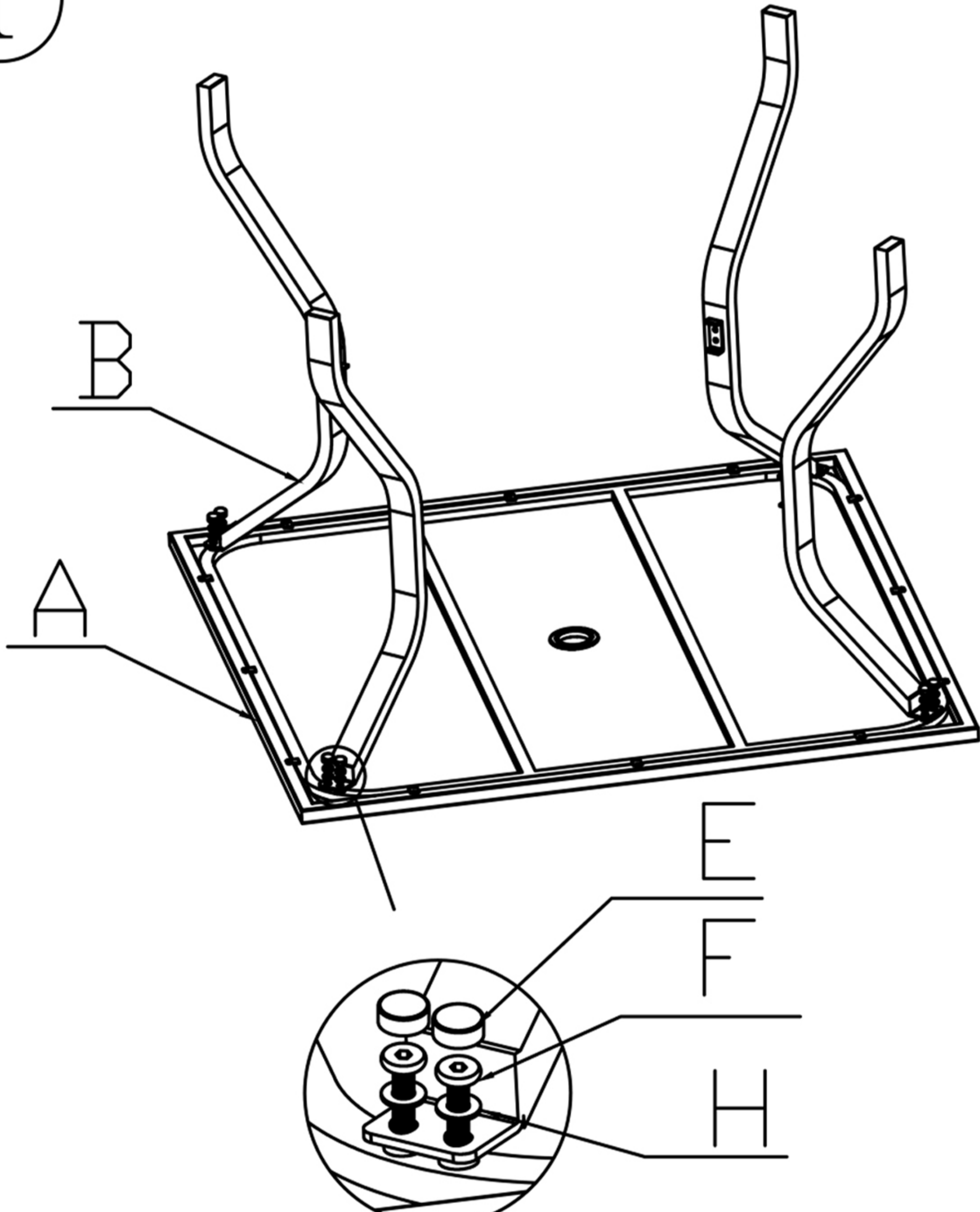
- Prior to assembly, please confirm all of the parts listed included.
- All bolts should be tightened before use. Maybe, you need allen wrench for assembly.
- Missing Part? Damaged? Contact us

Parts List:

| | | | |
|---|--|--|---|
|  <p>(A)</p> <p>1X</p> |  <p>(B)</p> <p>4X</p> |  <p>(C)</p> <p>1X</p> |  <p>(D)</p> <p>1X</p> |
|  <p>(E)</p> <p>16X</p> |  <p>(F)</p> <p>M6*16 8X</p> |  <p>(G)</p> <p>M6*25 8X</p> |  <p>(H)</p> <p>16X</p> |

Step 1:

①

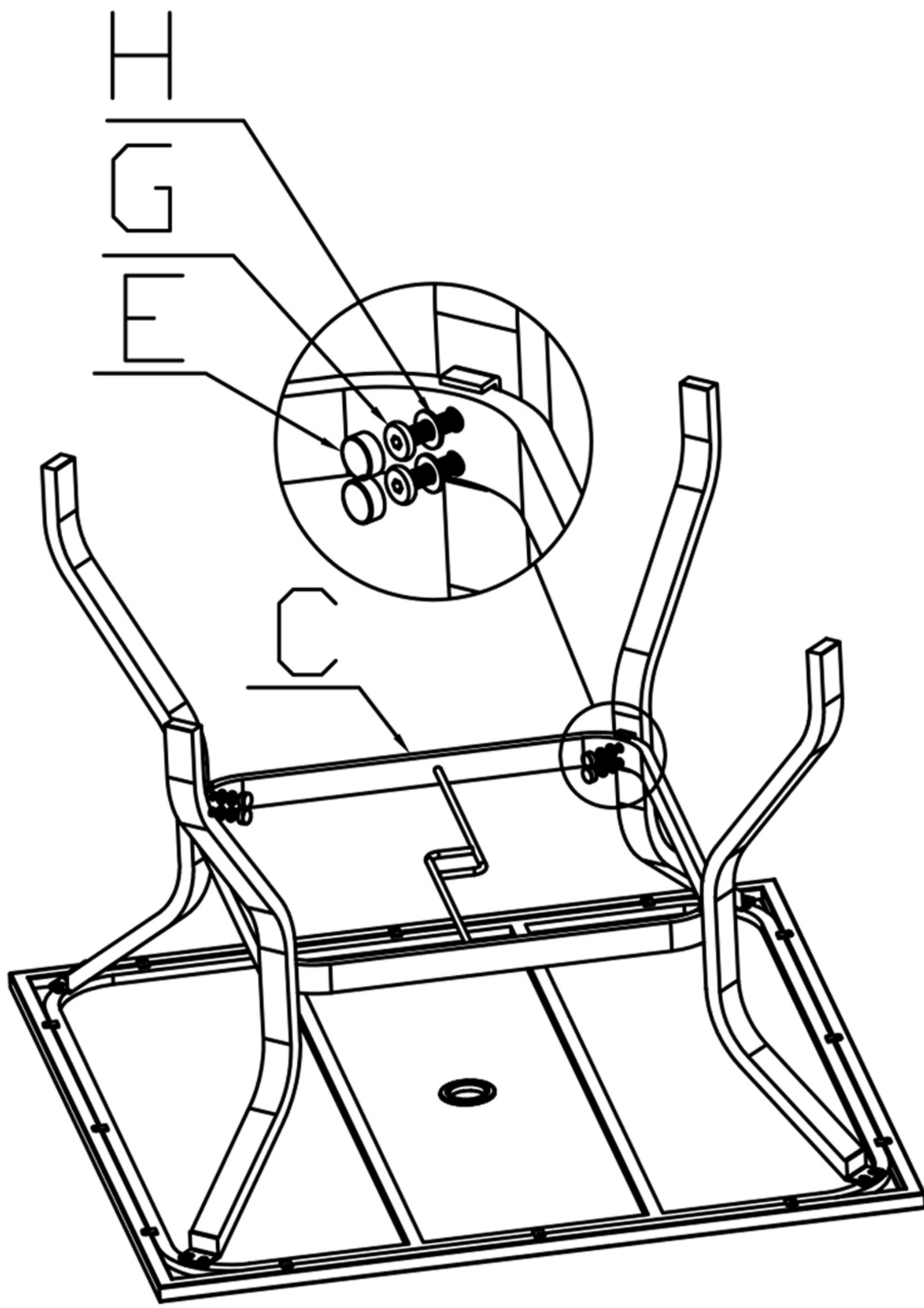


Assemble Part B(Legs) to Part A(table top) with Part E,Part F and Part H as shown in the diagram.

Notice: Please don't tighten the screws before assemble Part C.

Step 2:

2



Assemble Part C to the Part B(legs) with Part H,Part G and Part E. Then tighten the screws before using.

3

