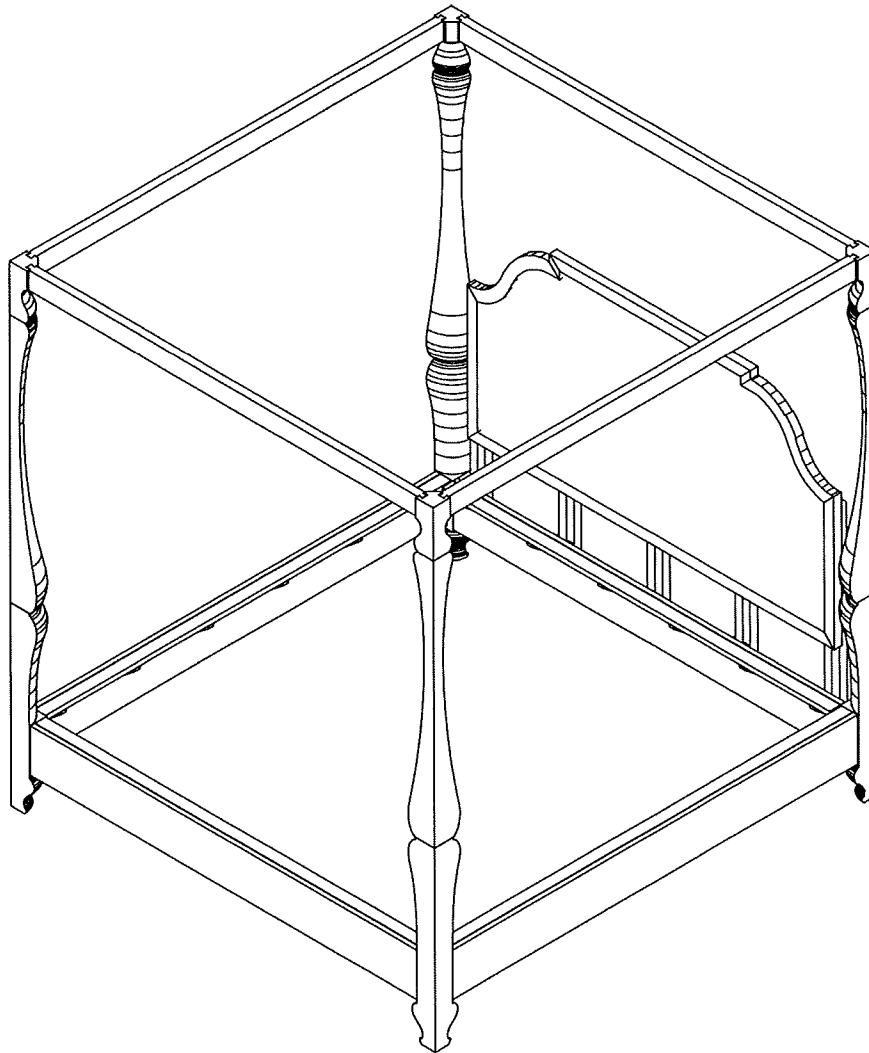
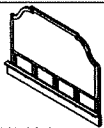


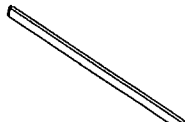




53286 BED 14-1









Do not dispose of any packaging or contents of the shipping carton until assembly is completed avoid accidentally discarding small parts or hardware.

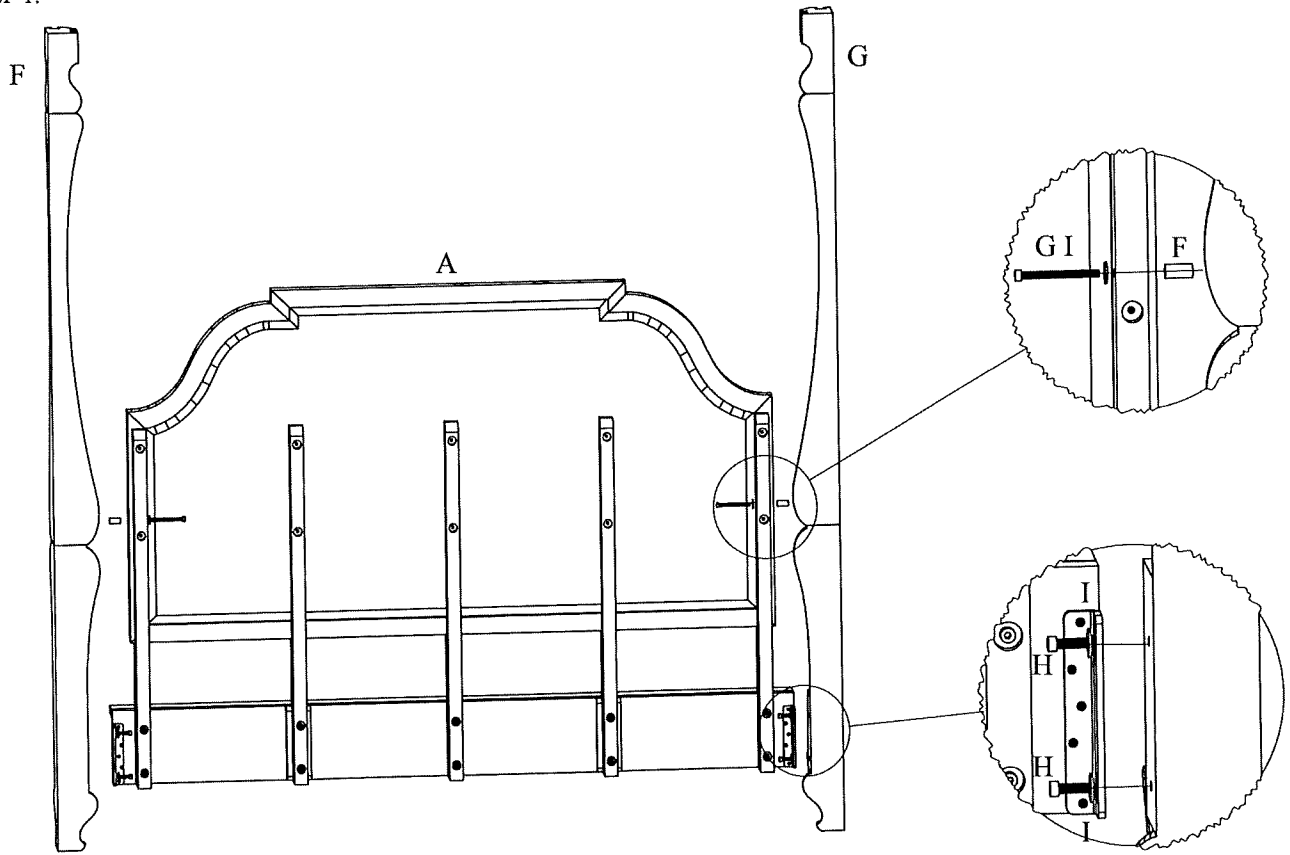
PARTS

<p>A</p>  <p>HEAD BOARD X 1</p>	<p>B</p>  <p>FOOT BOARD X 1</p>	<p>C</p>  <p>SIDE X 2</p>	<p>D E</p>  <p>STRIPS X 4</p>	<p>F H G I</p>  <p>LEG X 4</p>	<p>J</p>  <p>MATTRESS SUPPORT X 3</p>
--	--	--	---	---	--

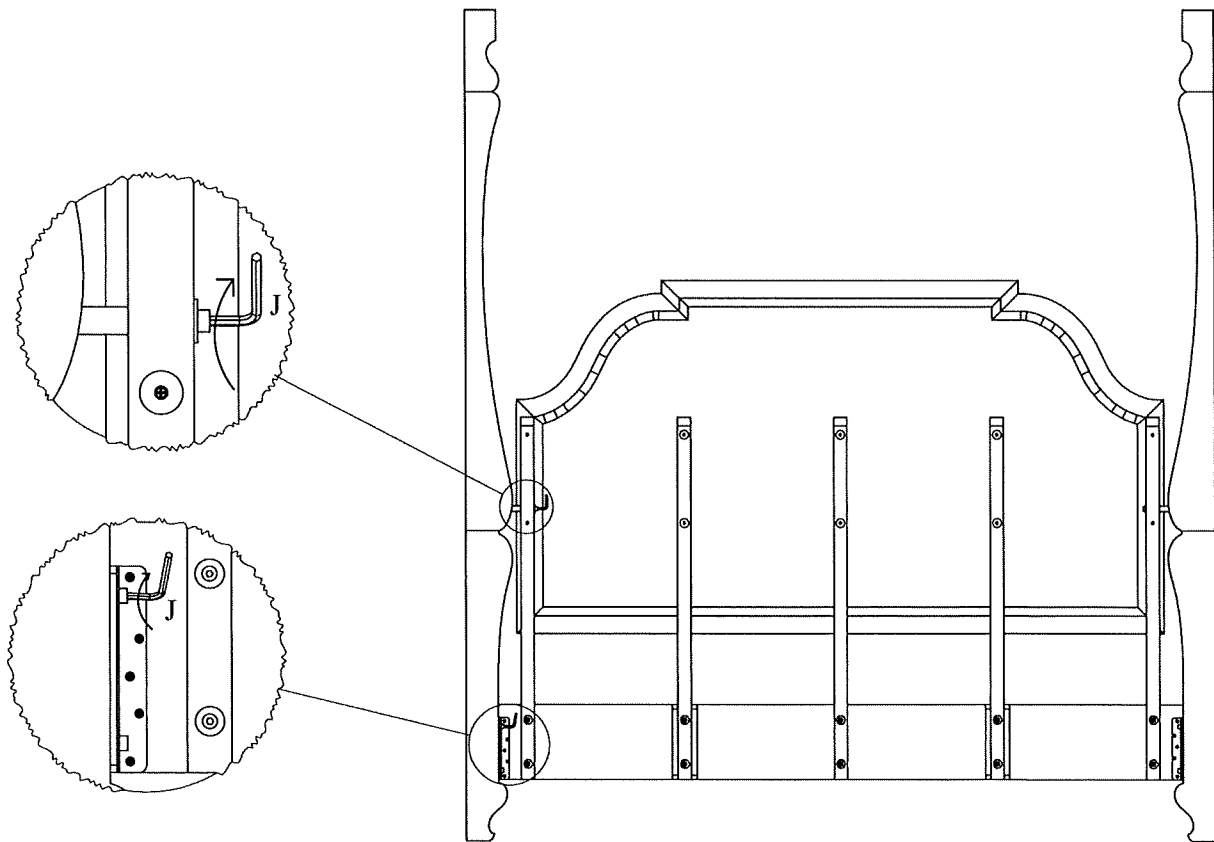
HARDWARE

<p>K</p>  <p>BRASS PIPE X 2</p>	<p>L</p>  <p>SOCKET HEAD BOLT X 2 (M8 X 90MM)</p>	<p>M</p>  <p>SOCKET HEAD BOLT X 16 (M8 X 25)</p>	<p>N</p>  <p>WASHER X 18 (M10 X 25MM)</p>	<p>O</p>  <p>ALLEN KEY X 1 (5MM)</p>	<p>P</p>  <p>ALLEN KEY X 1 (6MM)</p>
--	--	---	---	---	---

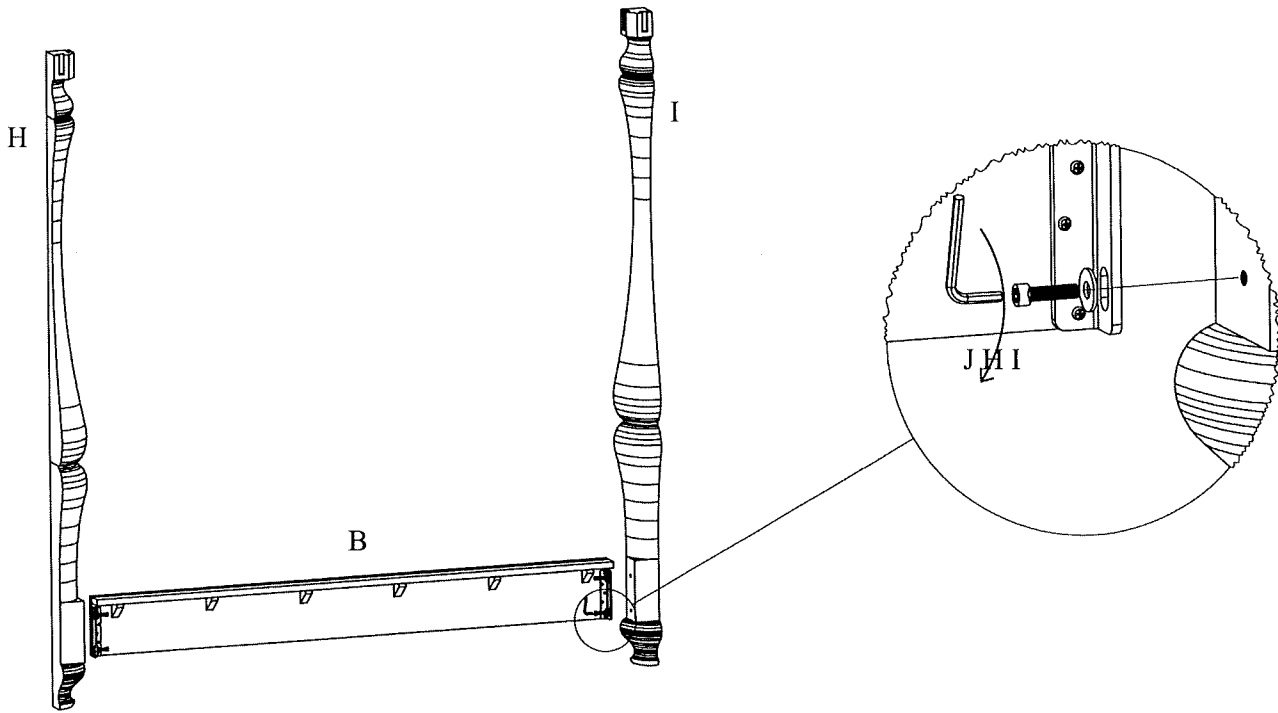
STEP 1.



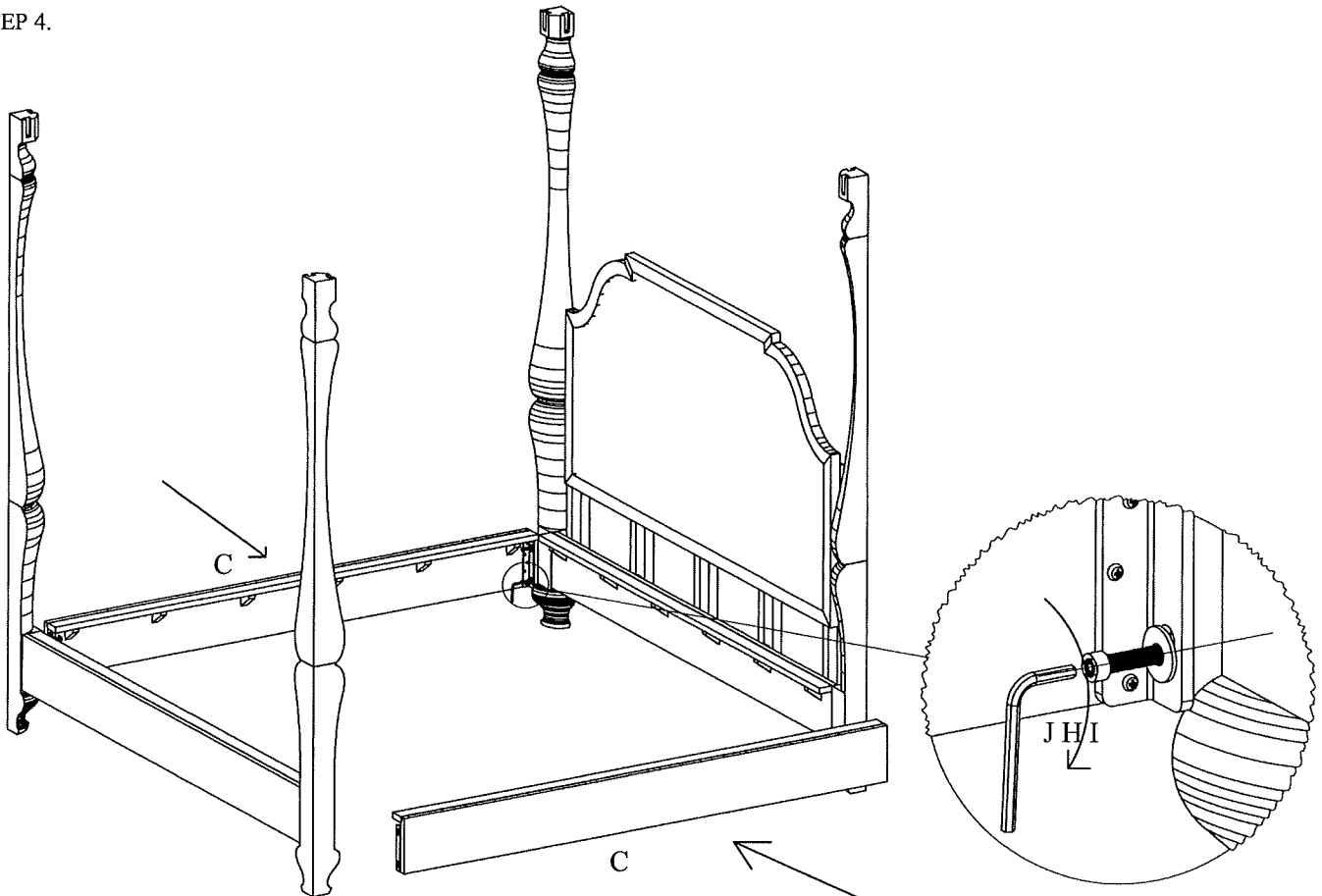
STEP 2.



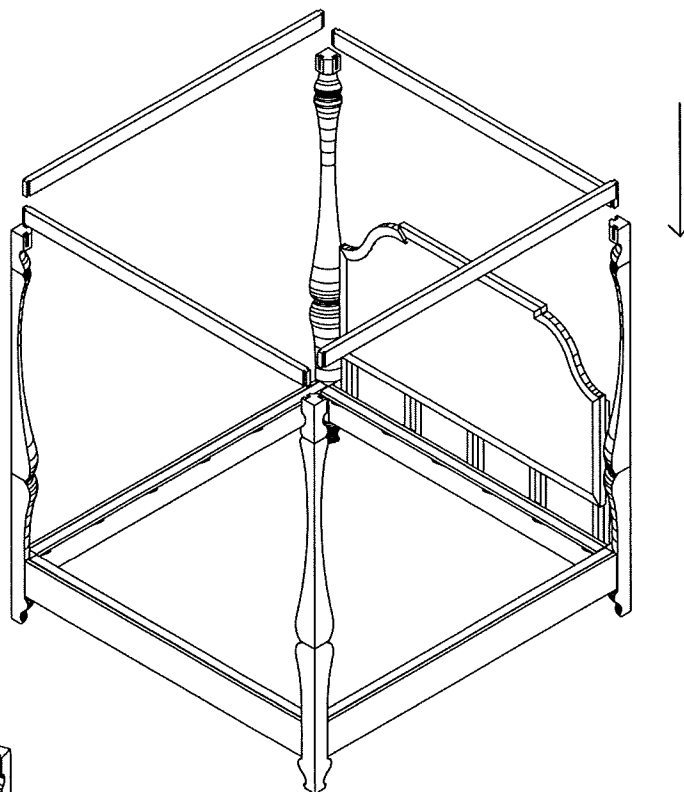
STEP 3.



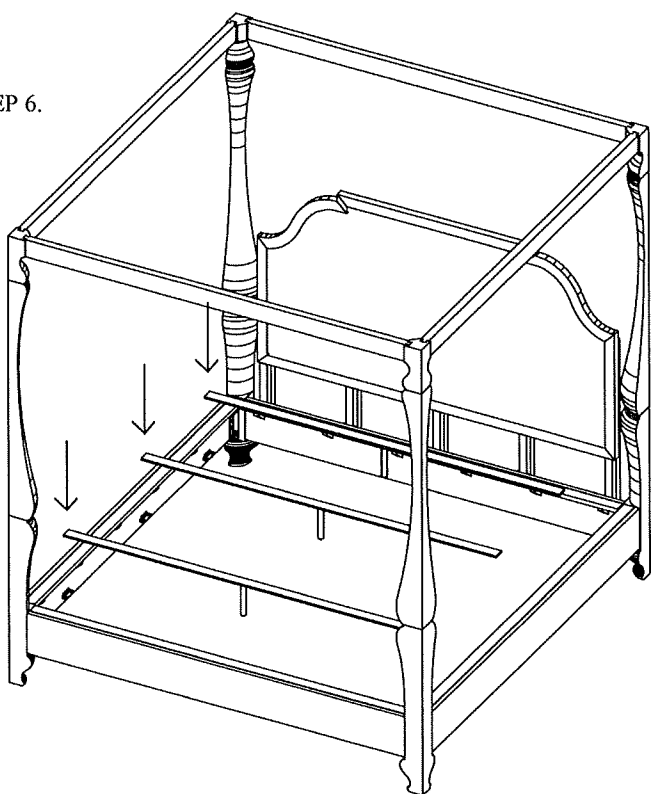
STEP 4.



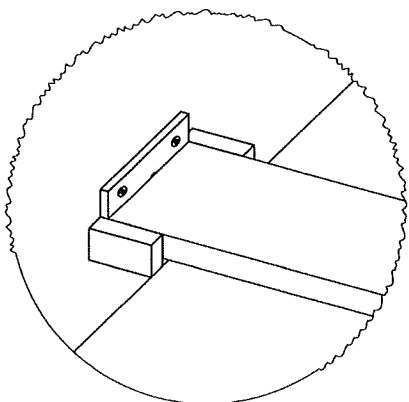
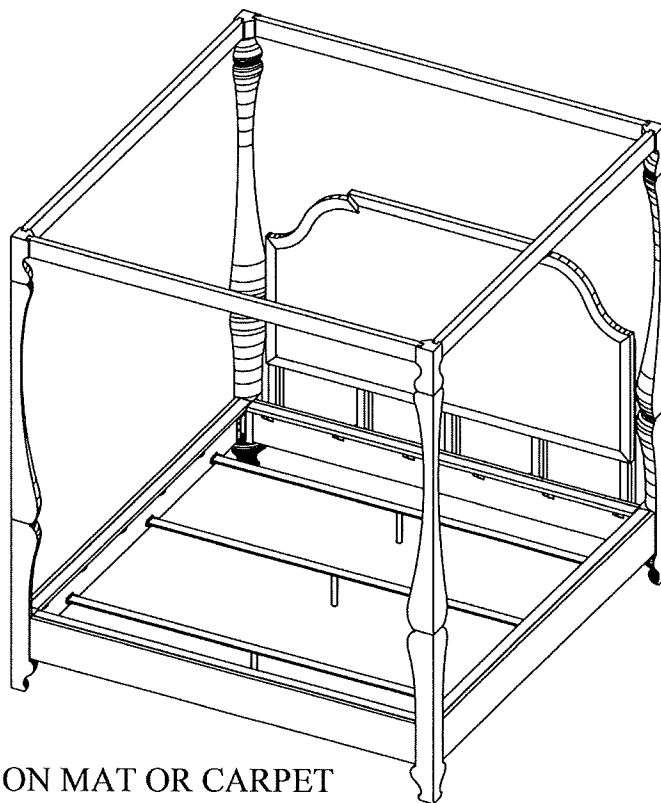
STEP 5.



STEP 6.



STEP 7.



ASSEMBLE PRODUCT ON MAT OR CARPET