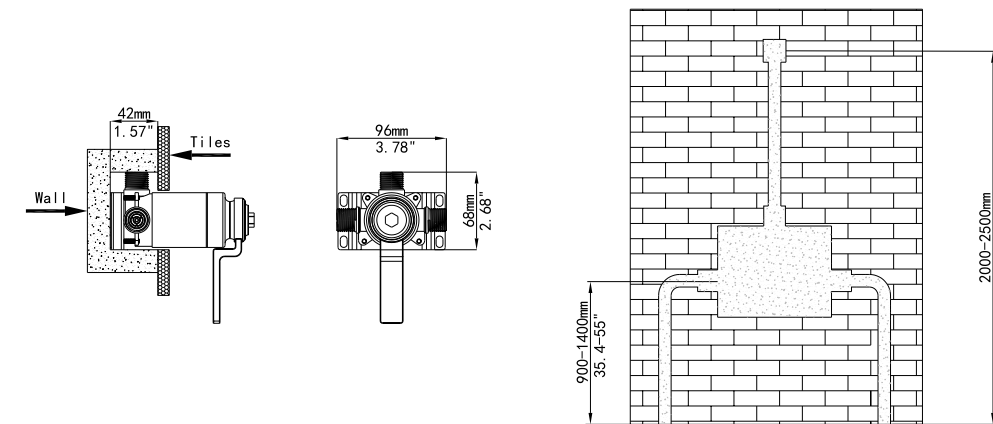
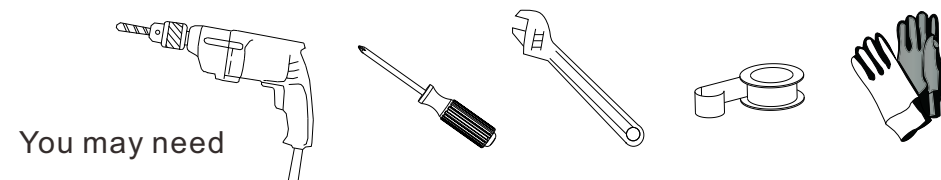
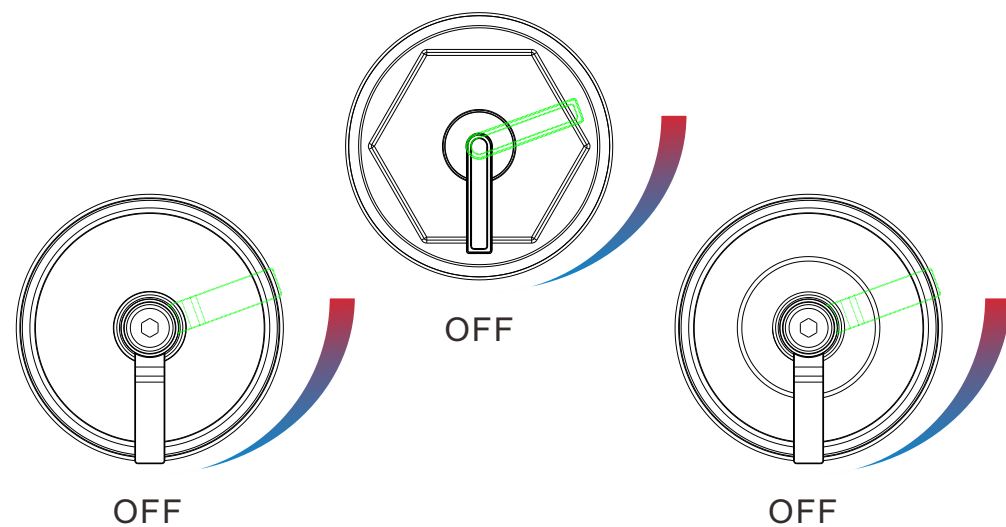
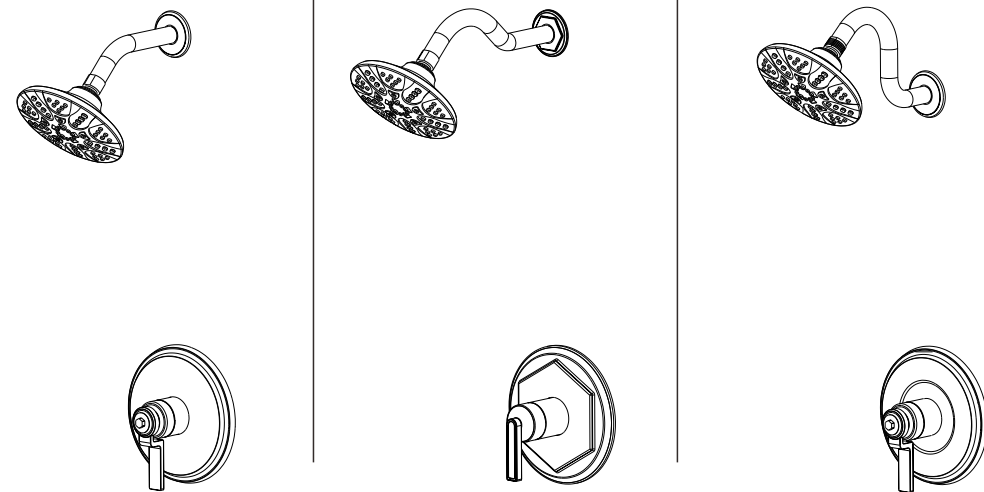
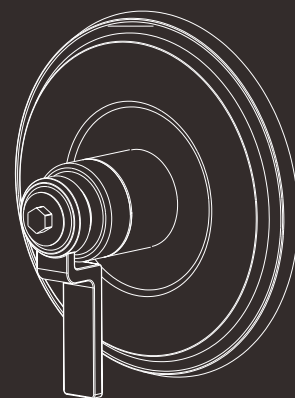
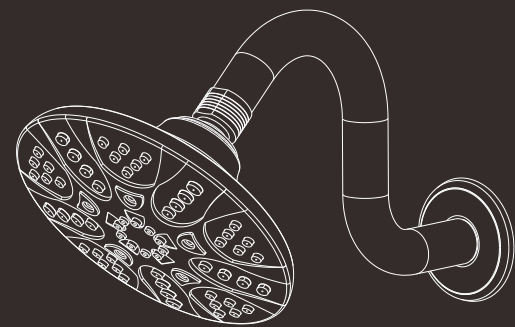
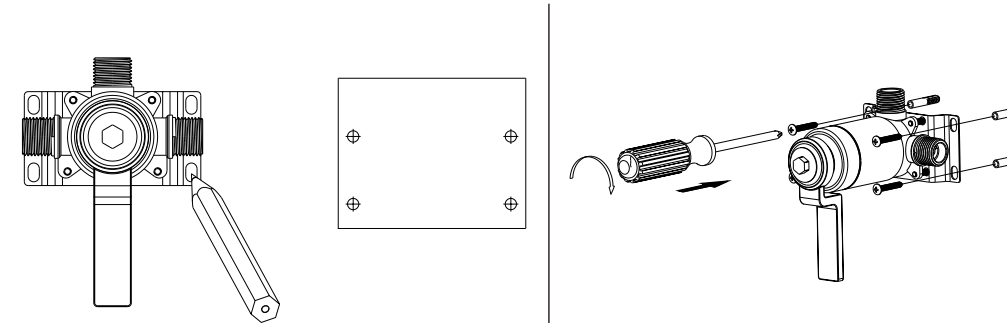


INSTALLATION MANUAL

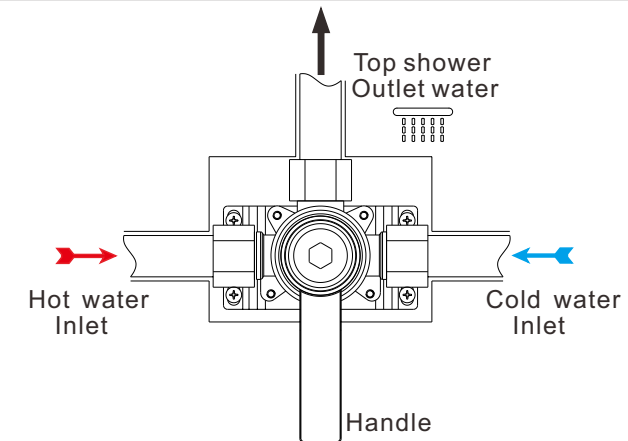


1. Cut the groove on the wall according to the dimensions on the left, and refer to the dimensions on the right.

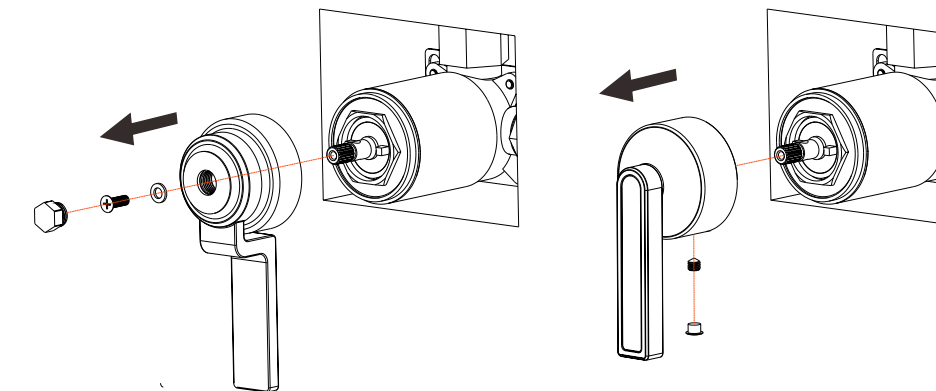


2. Mark the position with a marker and punch the holes.

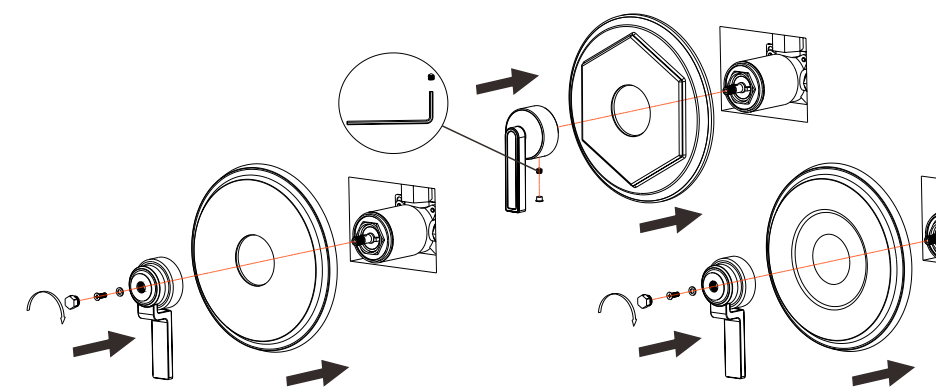
3. Fix the body to the wall with expansion screws.



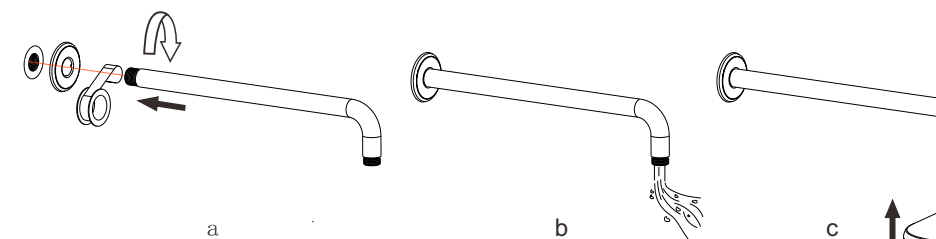
4. Connect the water pipe (pay attention to the direction of hot and cold water)



5. Remove the handle before installing



6. After installing the plate, install the handle.



7. Installation of shower arms (a), flushing of pipes (b), installation of overhead spray (c).