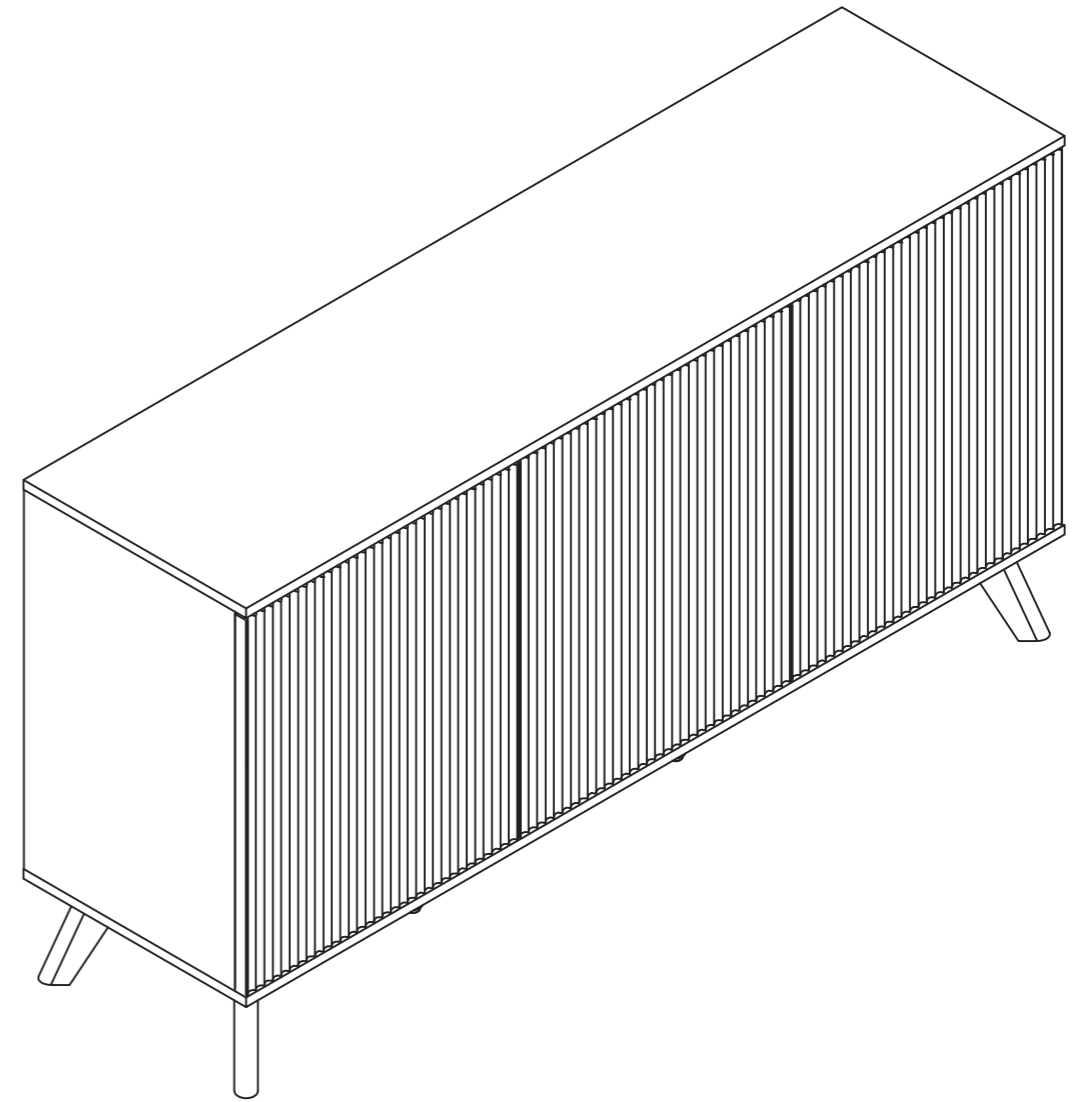


Installation Instruction



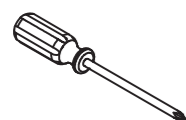
Assembling

Estimated time for assembly

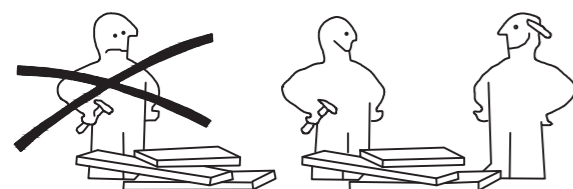


What you need

- Use the packaging carton as a working surface to prevent product damage during assembly
- Phillips head screwdriver



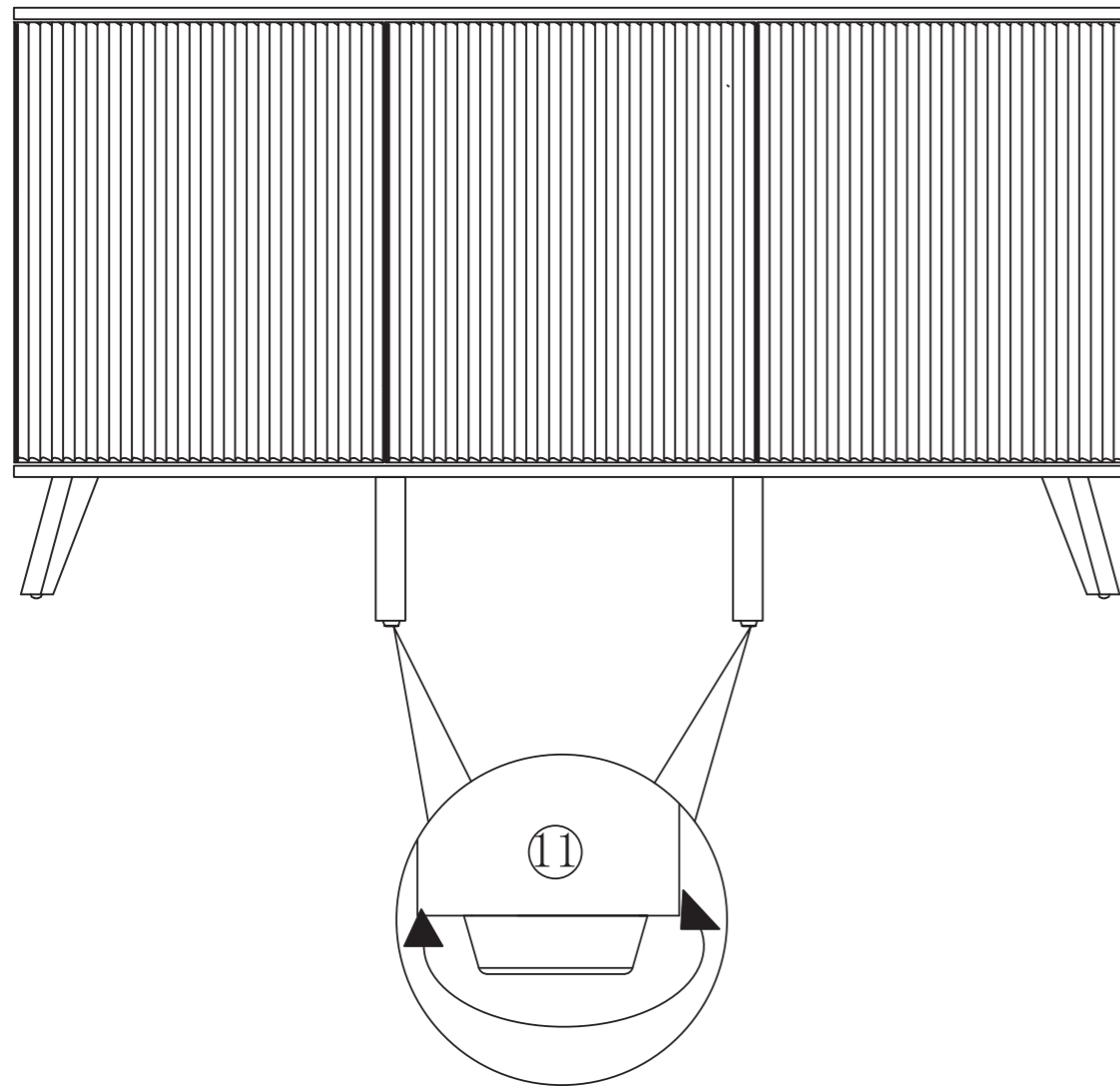
Weight Limitation



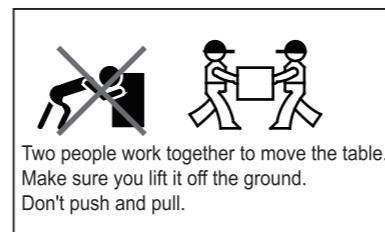
What' included

Code	Description	Qty
A	Cam Bolt M6X35MM	14
B	Cam Lock 15X12MM	14
C	Wooden Dowel M8X30MM	16
D	Screw M4X40MM	8
E	Screw M3.5X14MM	2
F	Cam Bolt M7X40MM	8
G	Nylon Strap	2
H	Screw M3.5X14MM	58
I	Adjustable foot pads	2
J	The back button	16
K	Anchor	2
L	MATS	4
M	Door Rebound Device Holder	3
N	Door Rebound Device	3
O	Shelf Holder	8
P	Shelf Holder	6
Q	Wrench M4X55MM	1
R	Bamboo joint screw	2
S	Hole position sticker	14

Step 16

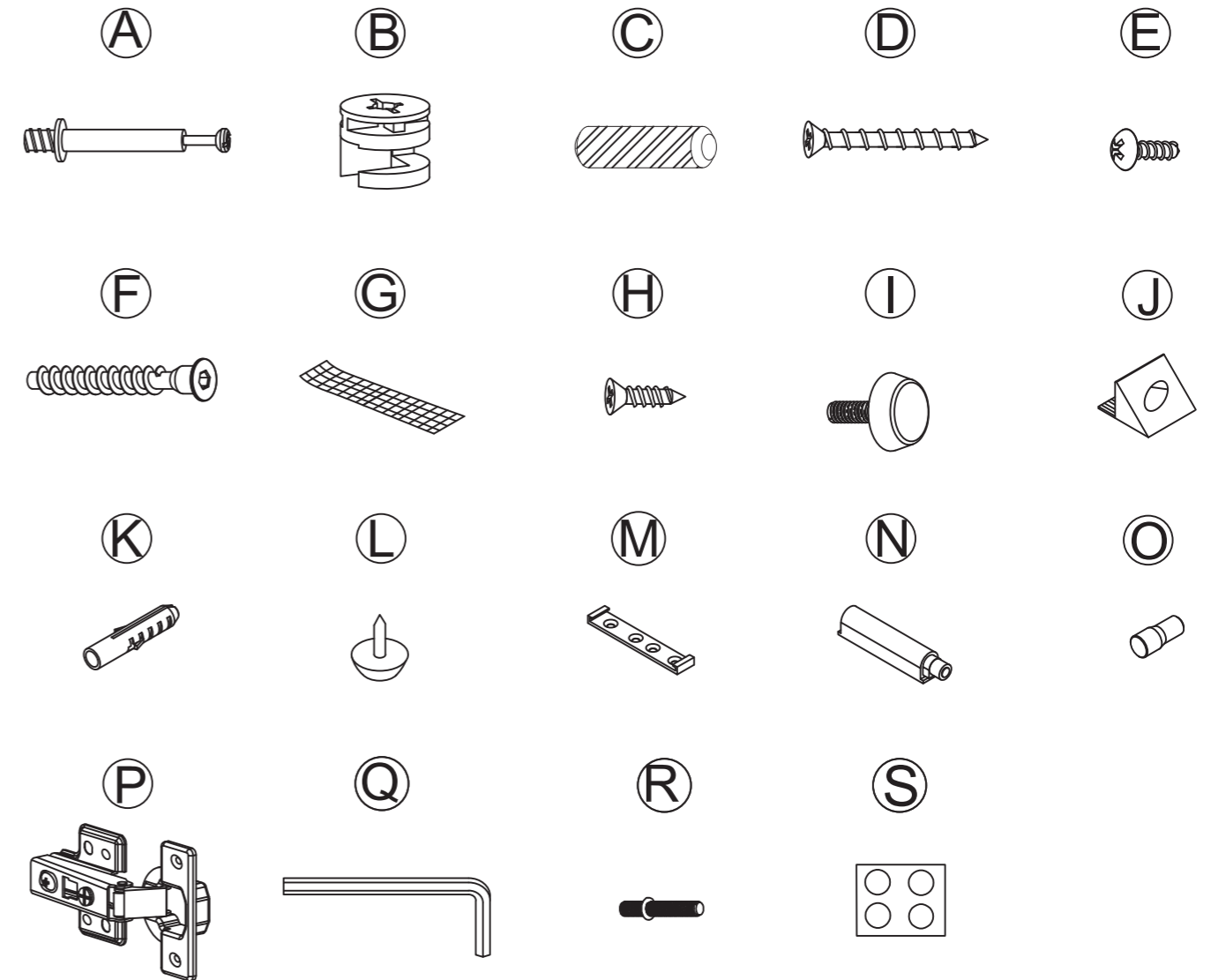


If the center position of the cabinet is too high or too low due to uneven bottom plates or other reasons, adjust the adjustable foot pads on feet ⑪ to adjust the upper and lower height



Two people work together to move the table. Make sure you lift it off the ground. Don't push and pull.


The Hardwares

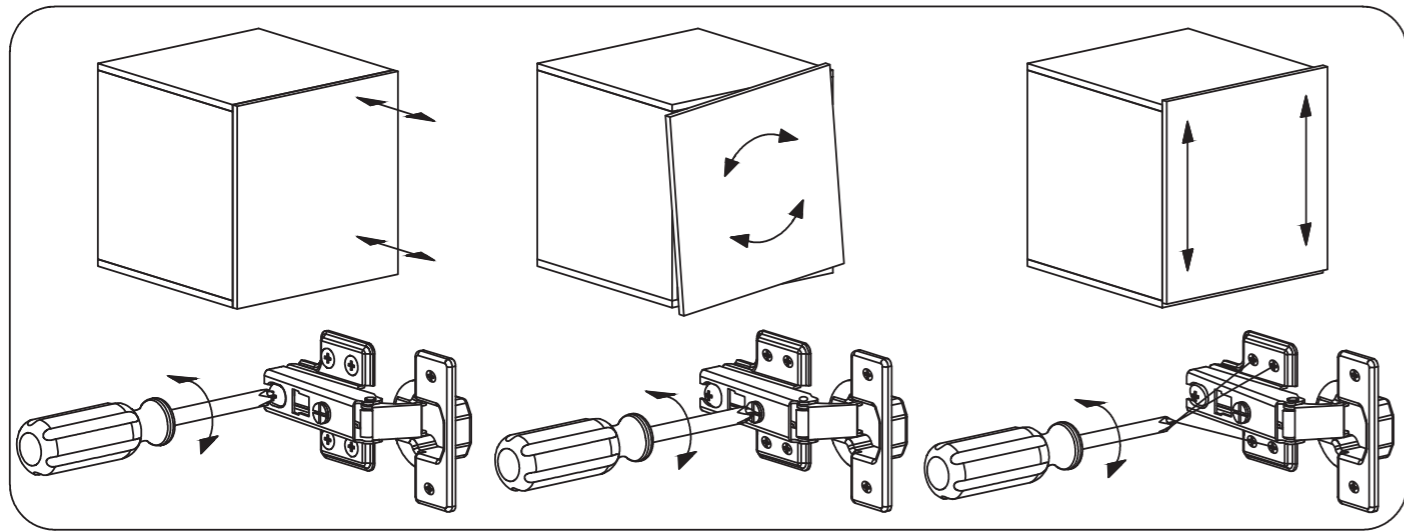
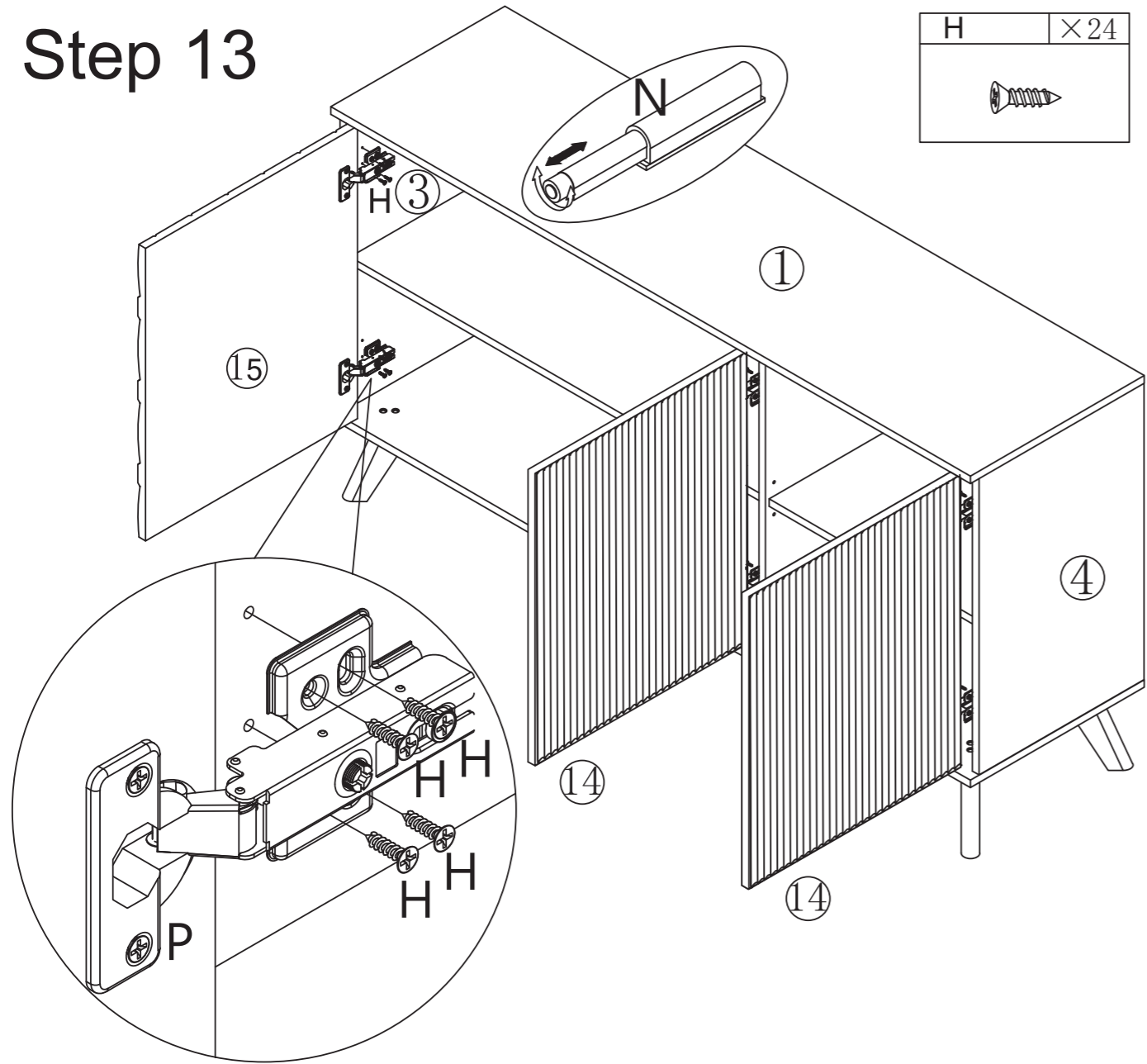


IMPORTANT:

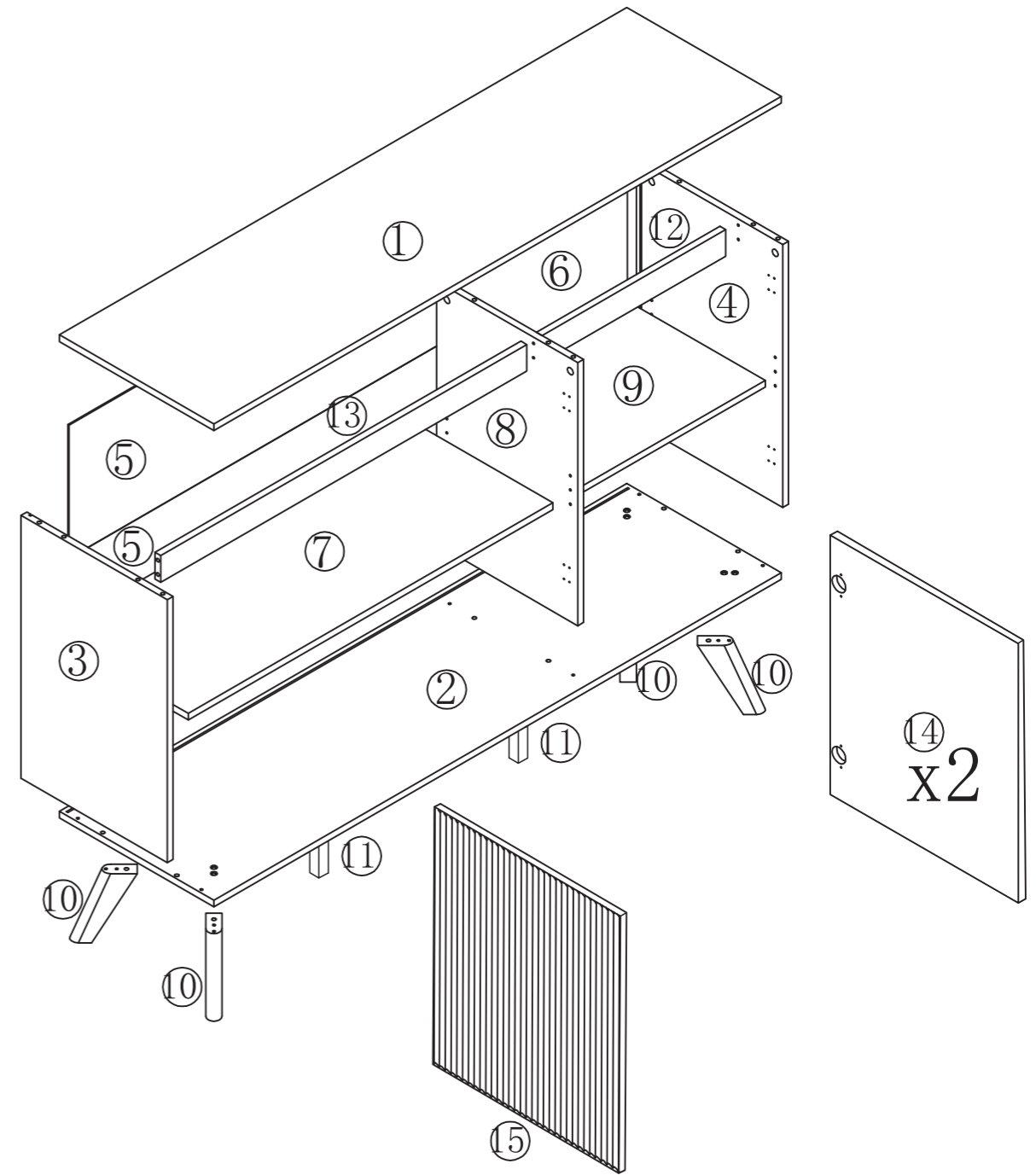
1. Do not tighten bolts / screws completely until all bolts / screws are lined up and inserted into holes.
2. Do not over tighten screws and bolts to avoid stripping
3. Please use hand tools to assemble this product. Do not use power tools.

Step 13

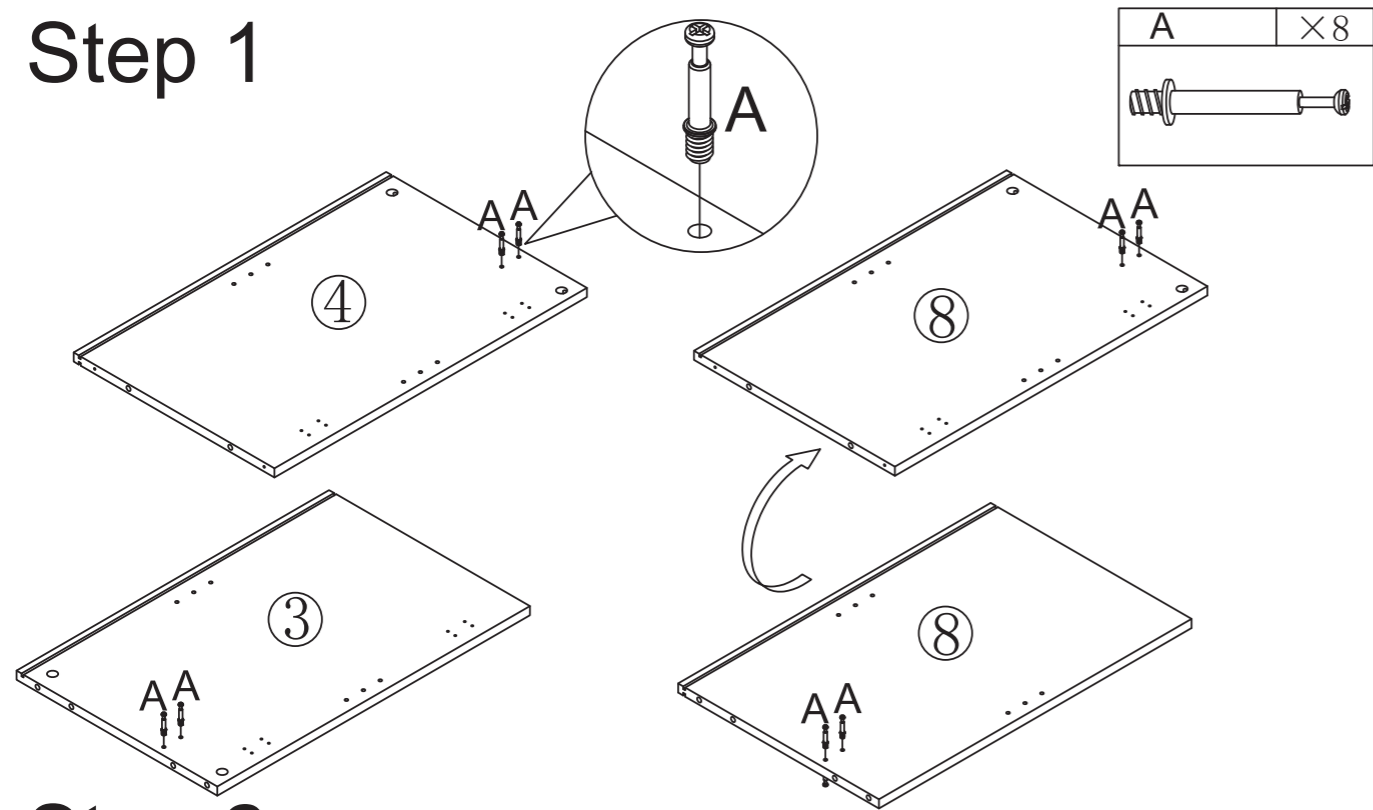
H	×24
	



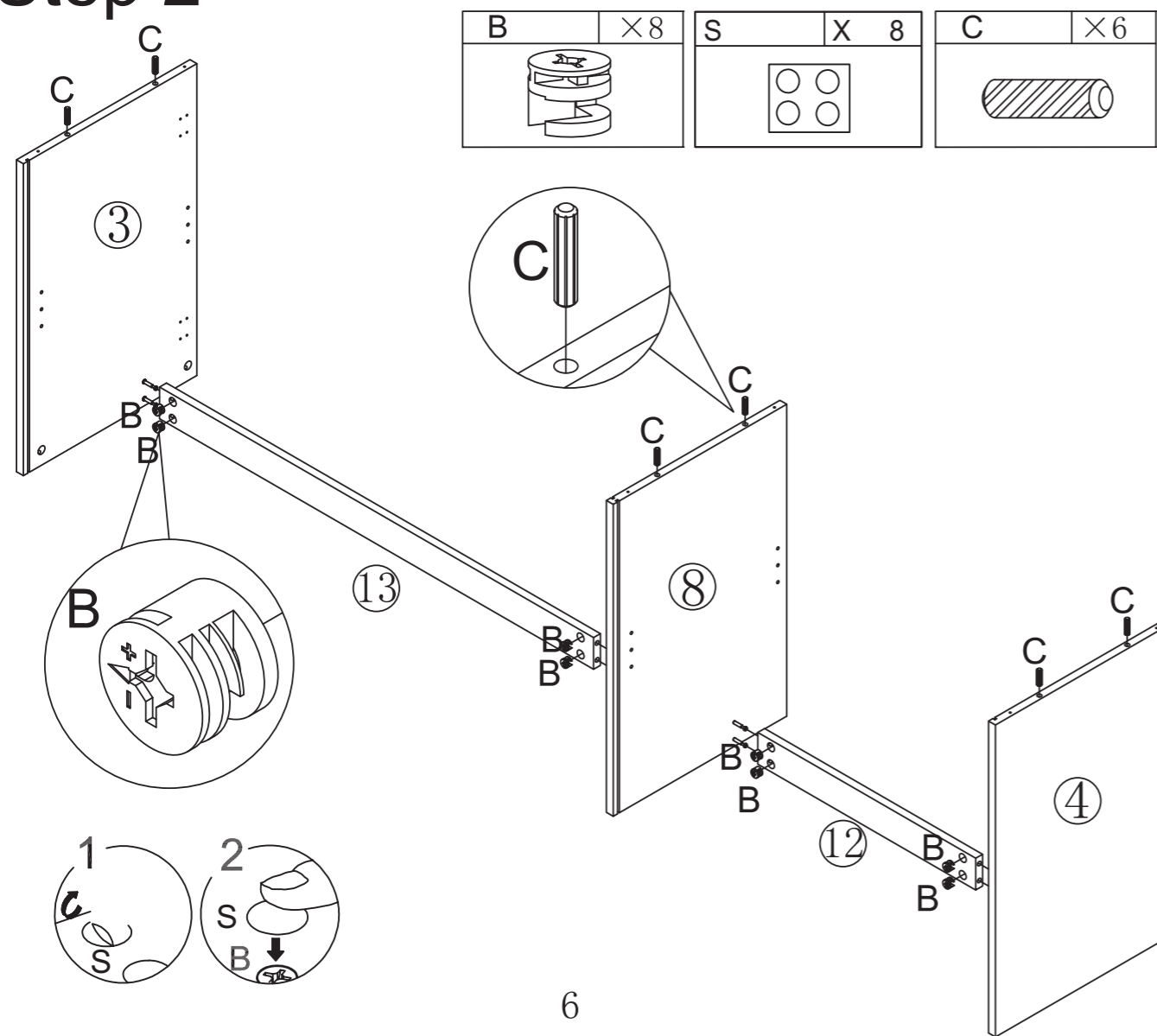
The Accessoriess



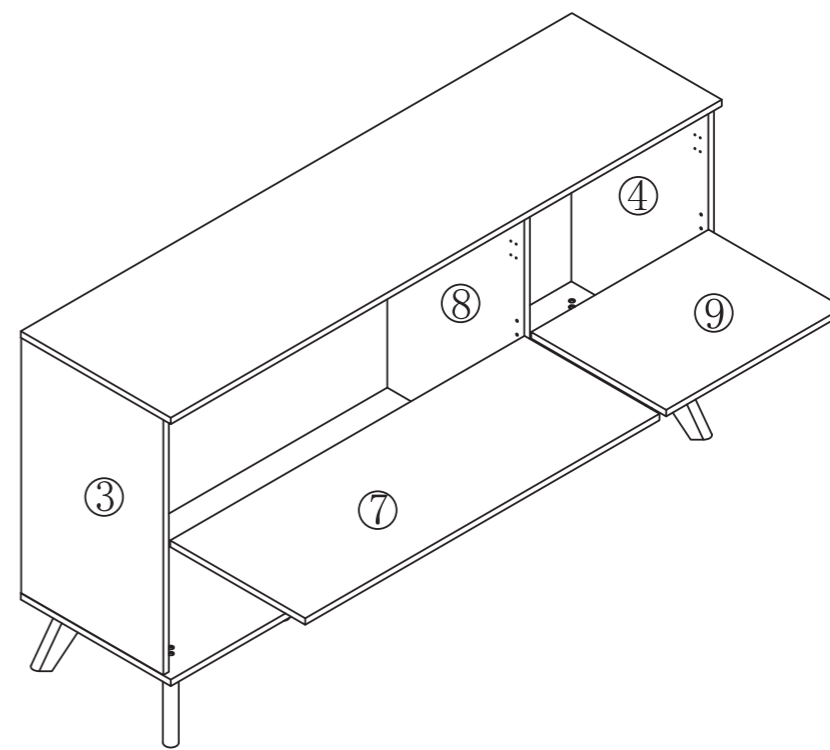
Step 1



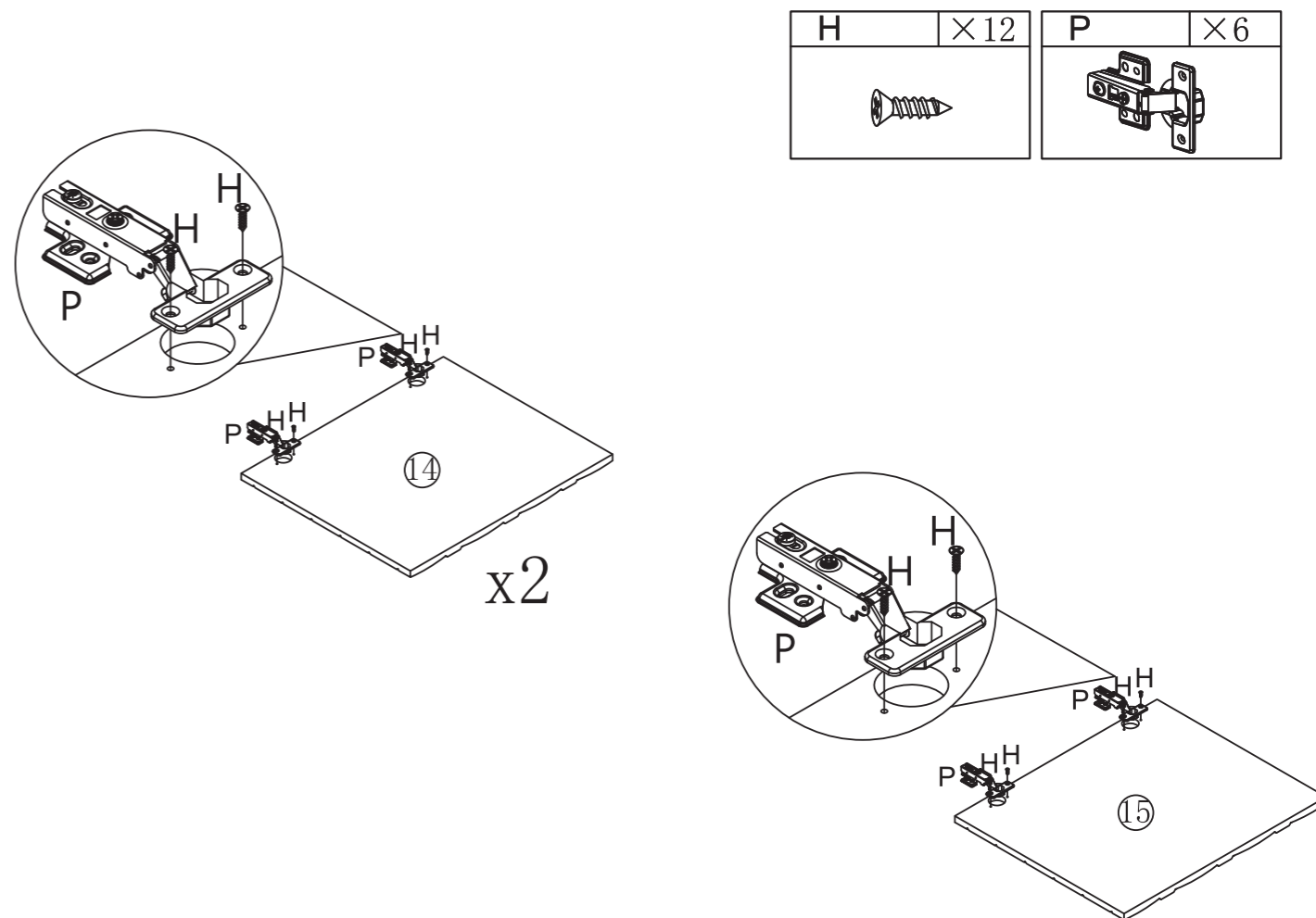
Step 2



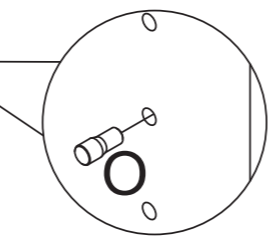
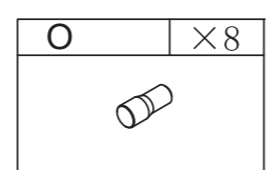
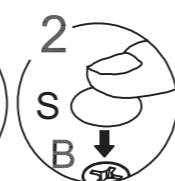
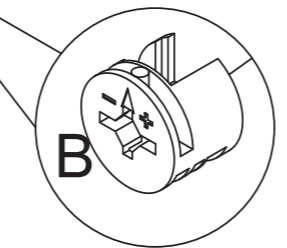
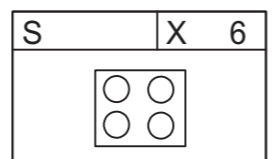
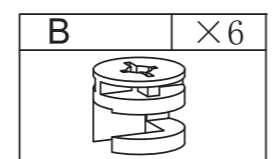
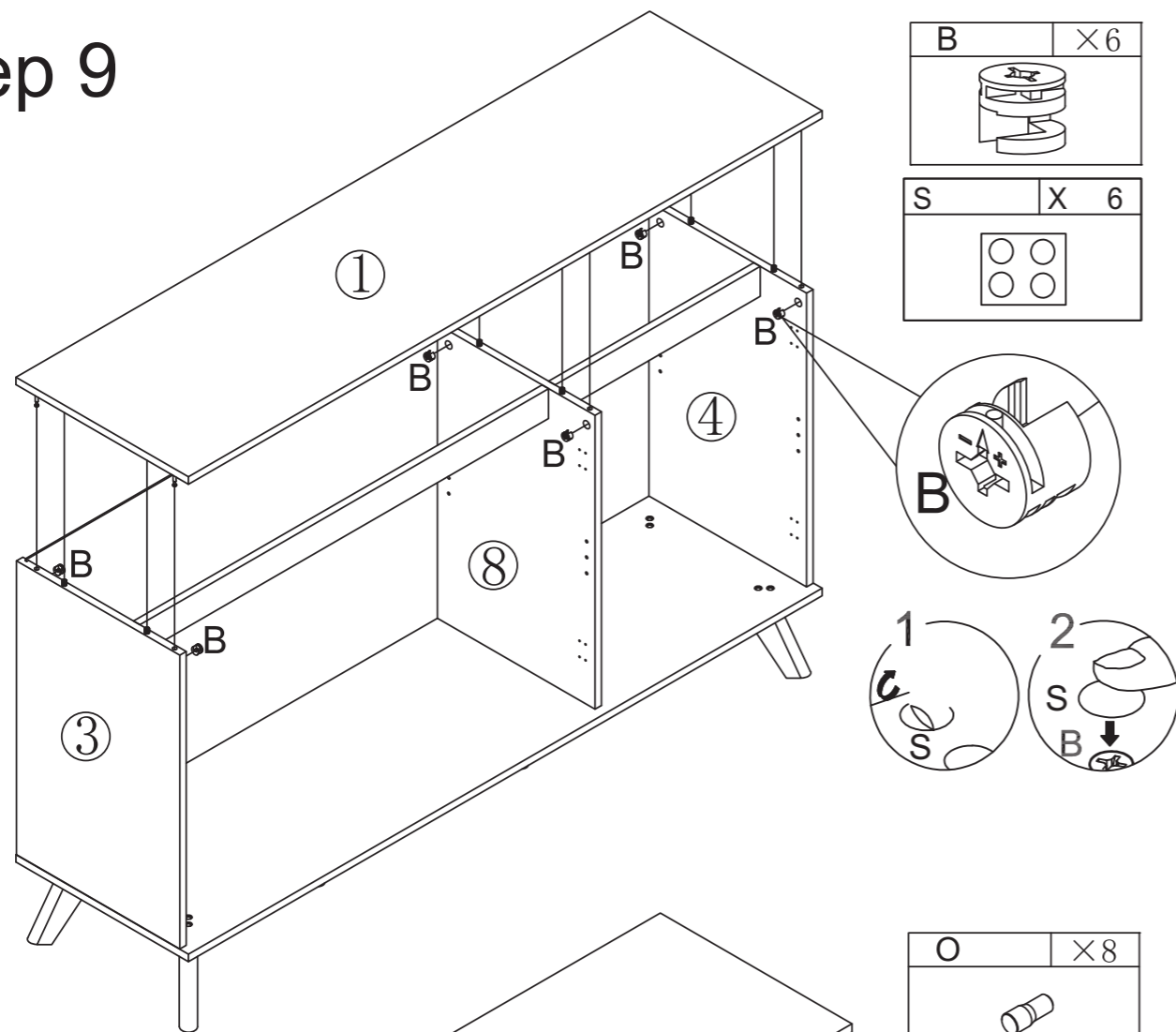
Step 11



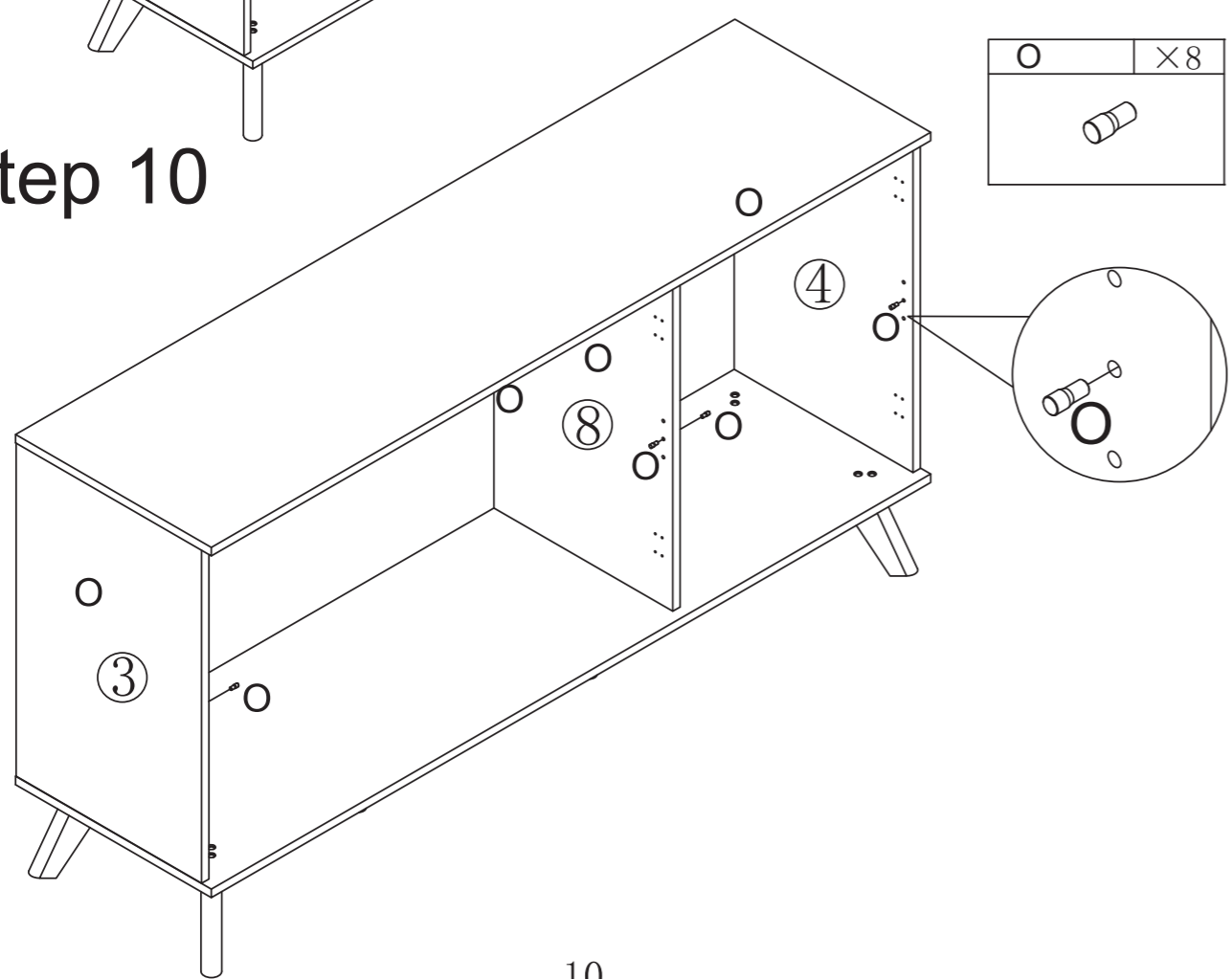
Step 12



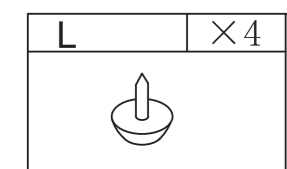
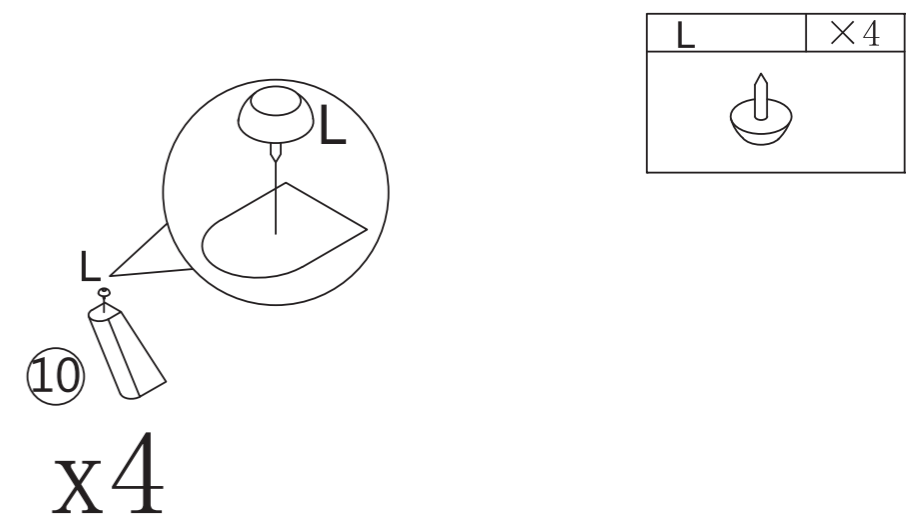
Step 9



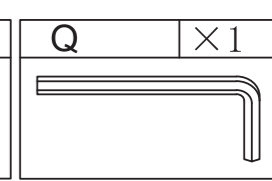
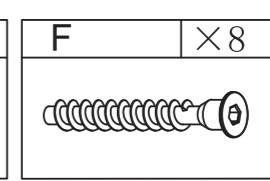
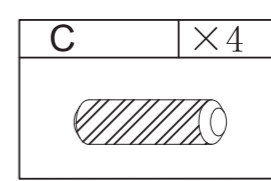
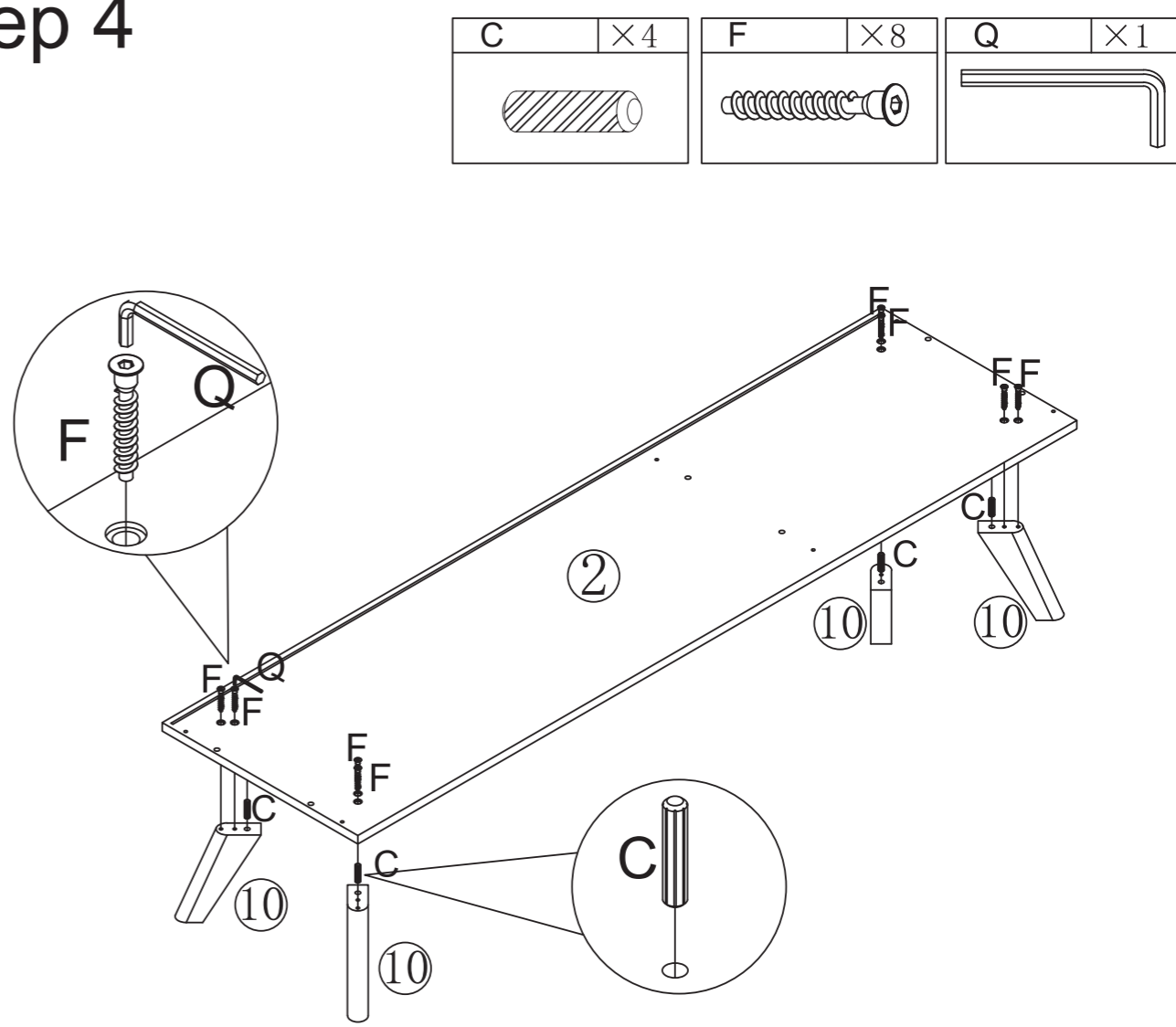
Step 10



Step 3



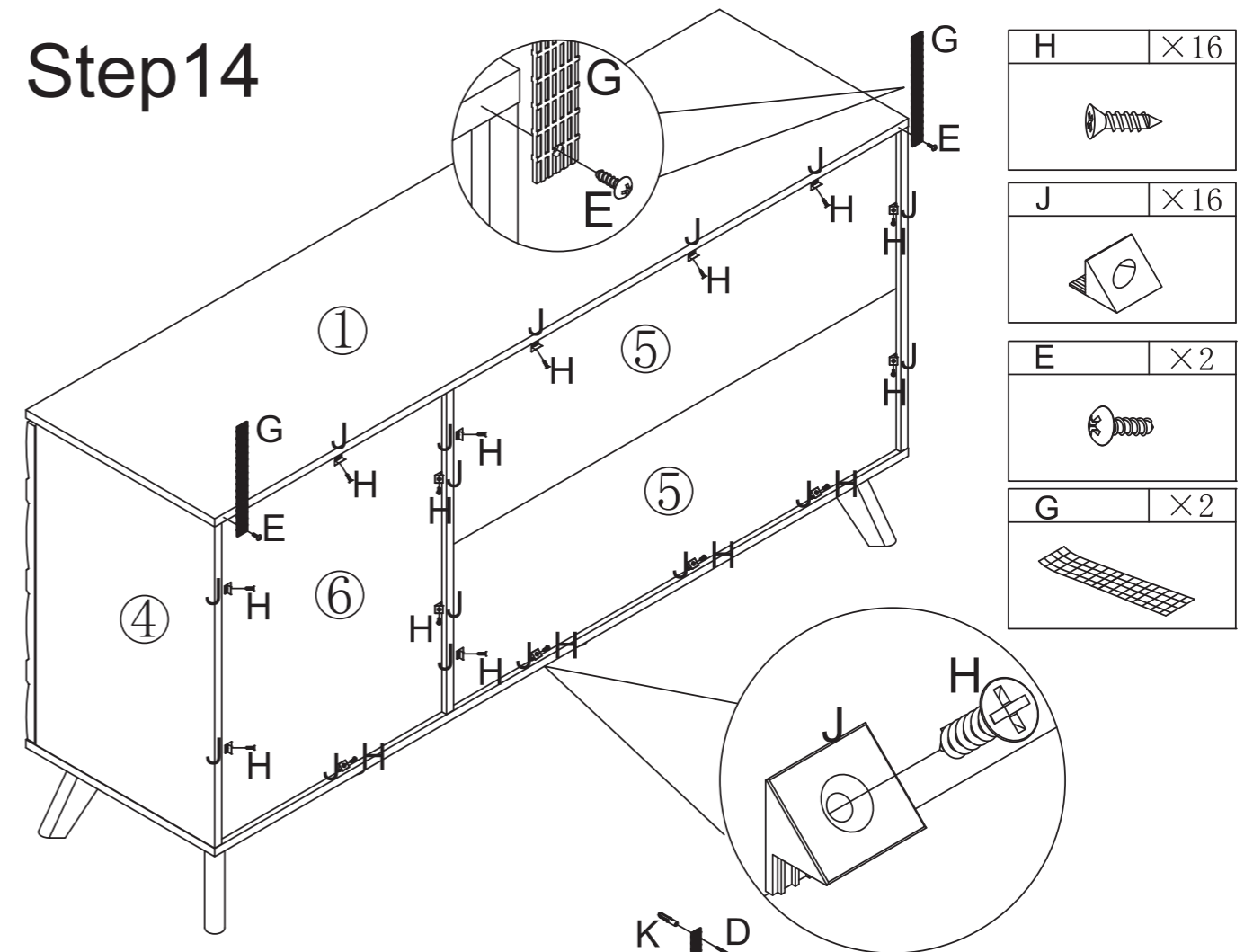
Step 4



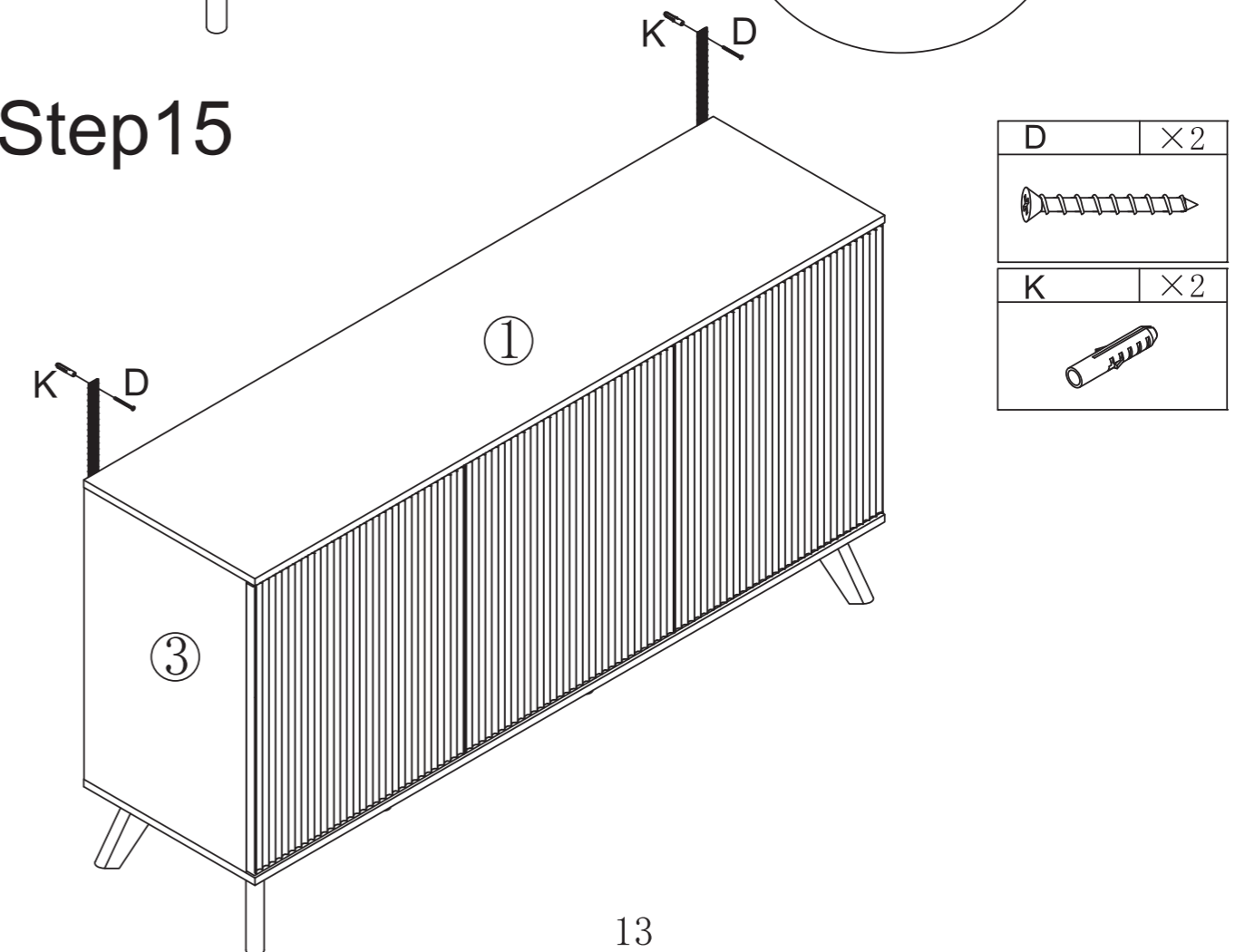
Included Accessories

Code	Description	Qty
1	Cabinet Top	1
2	Bottom Panel	1
3	Left Side Panel	1
4	Right Side Panel	1
5	On the left rear panel	2
6	On the right rear panel	1
7	Left removable laminate	1
8	Right bulkhead	1
9	Right removable laminate	1
10	Solid wood feet	4
11	Medium solid wood feet	2
12	TRight panel below	1
13	Below left panel	1
14	The door	2
15	The door	1

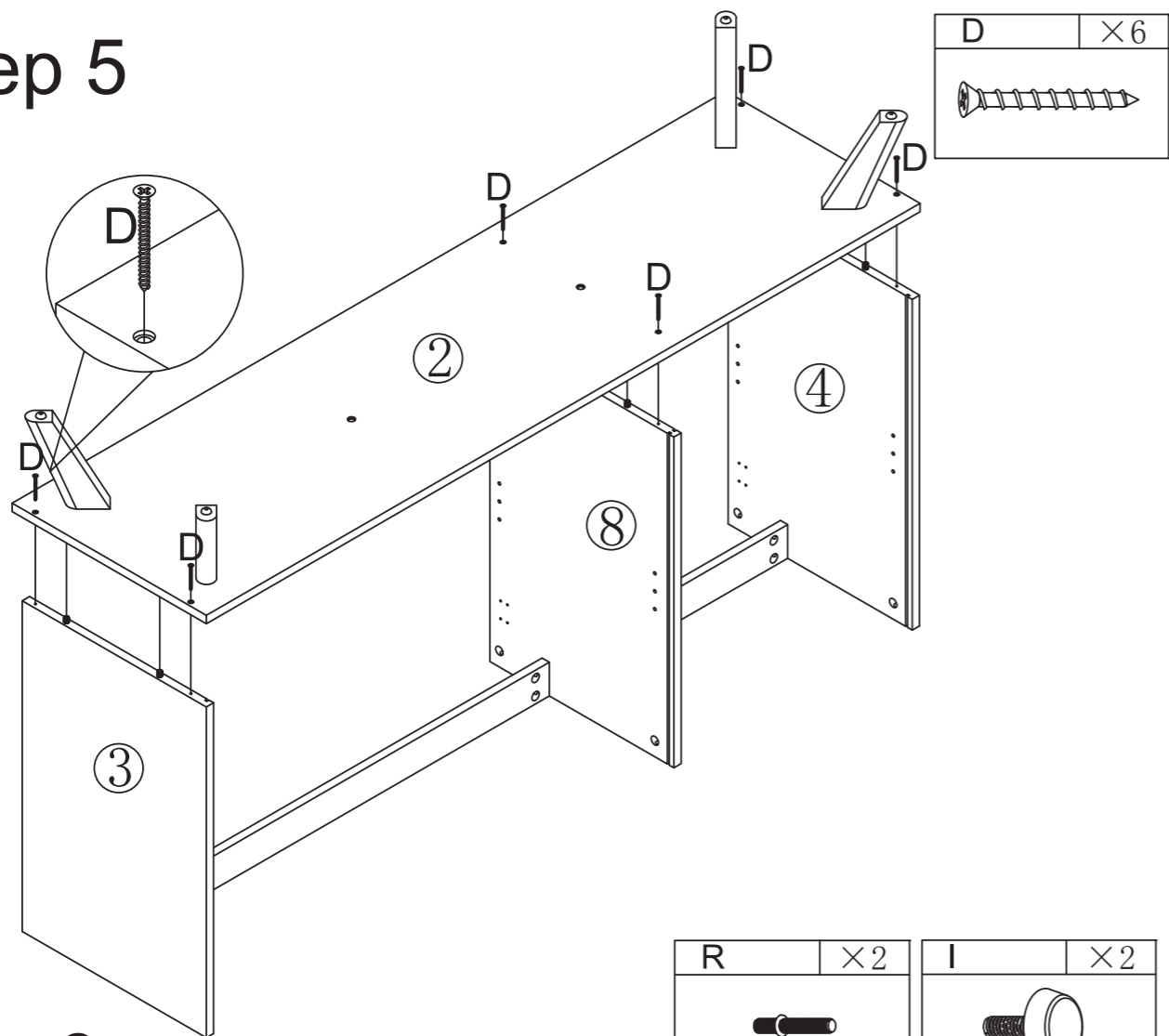
Step 14



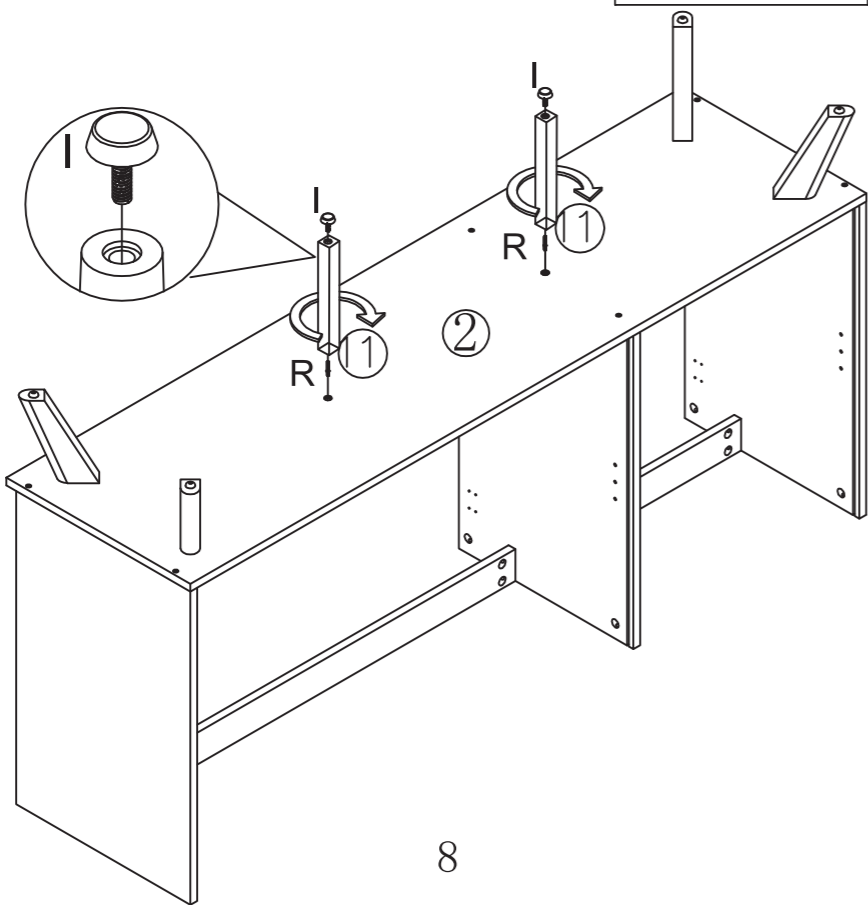
Step 15



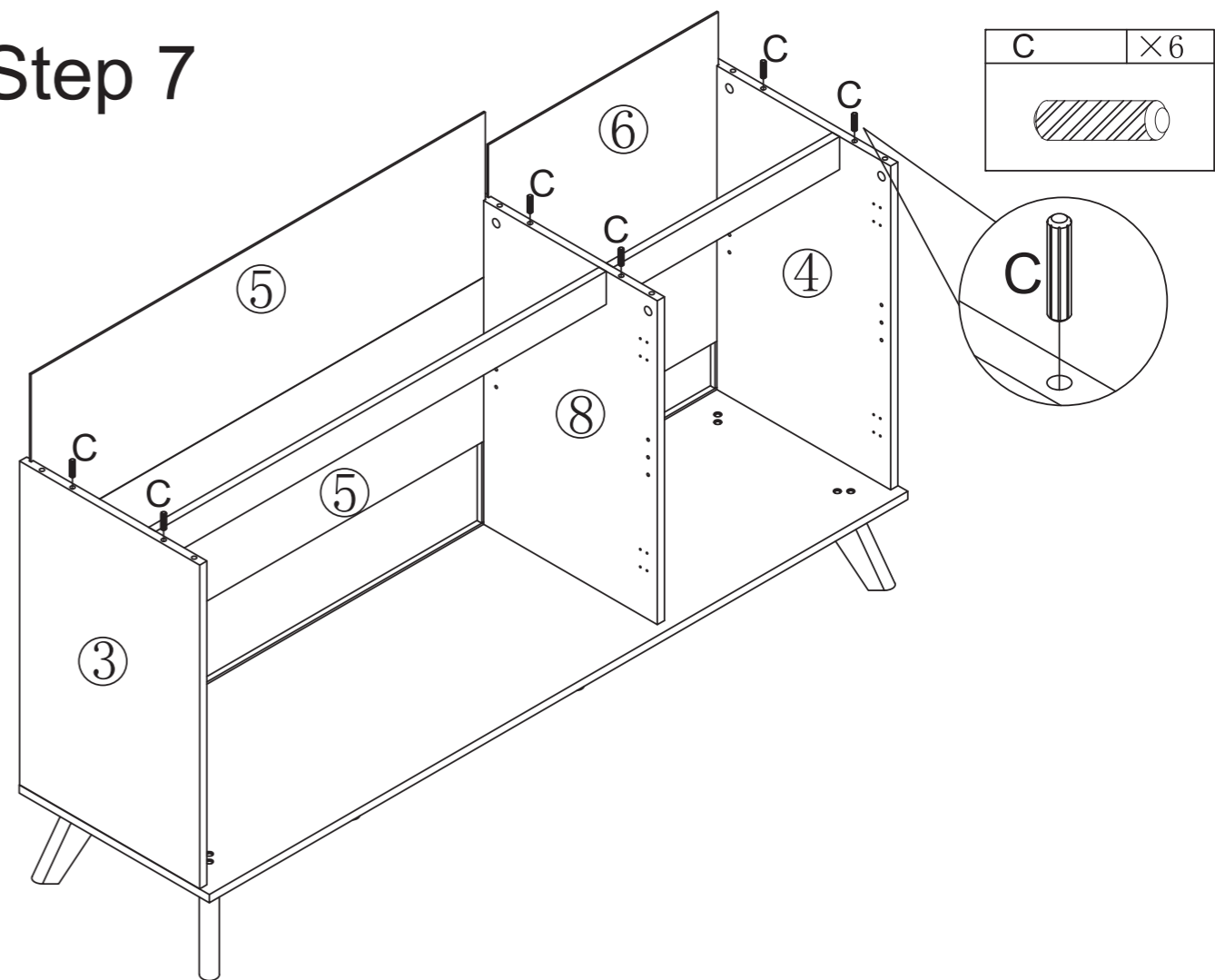
Step 5



Step 6



Step 7



Step 8

