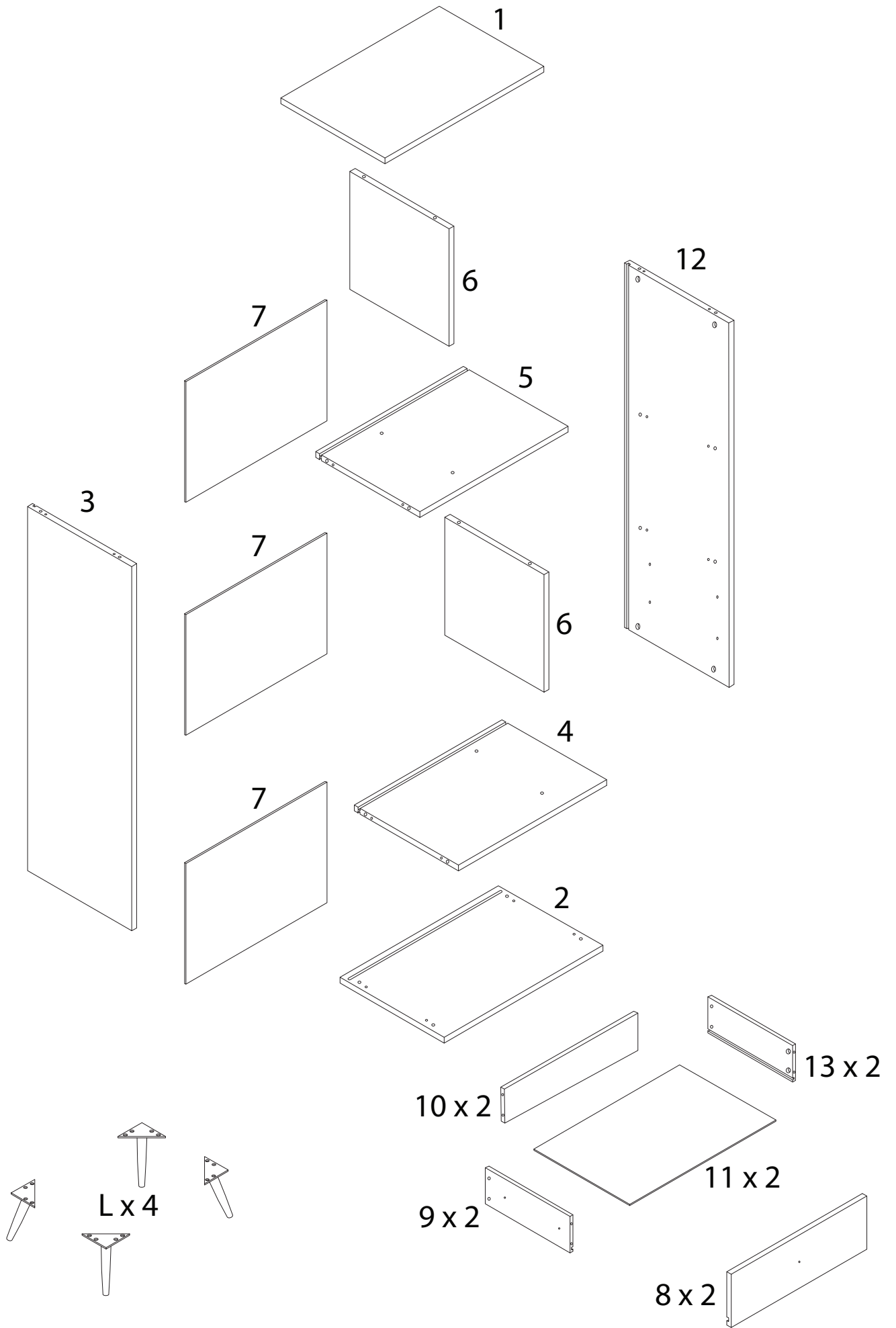
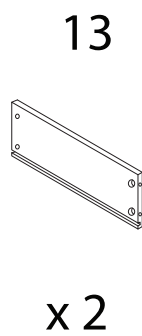
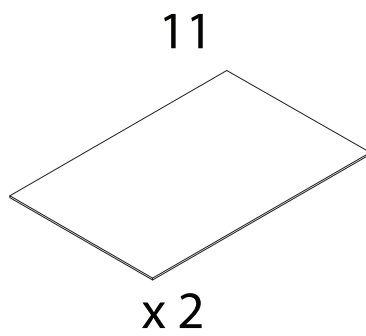
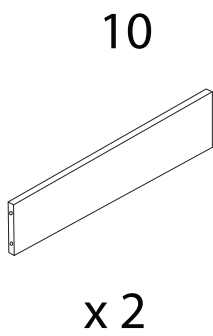
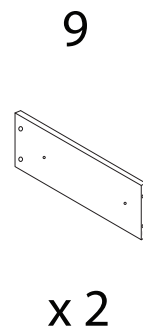
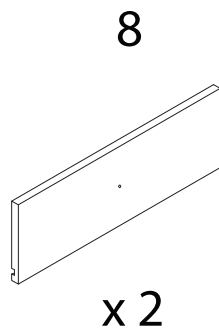
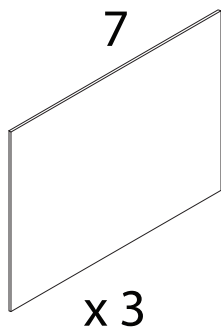
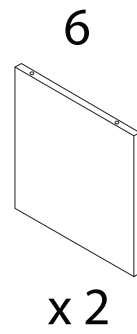
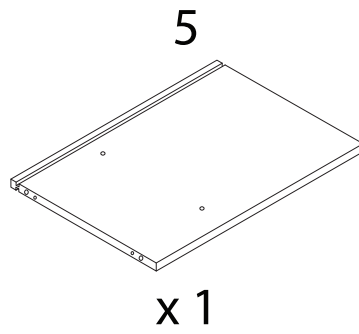
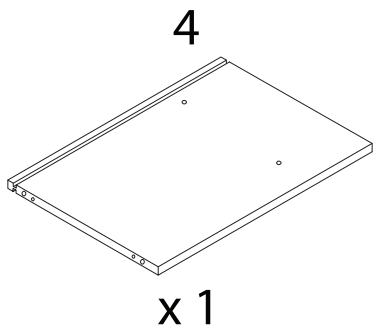
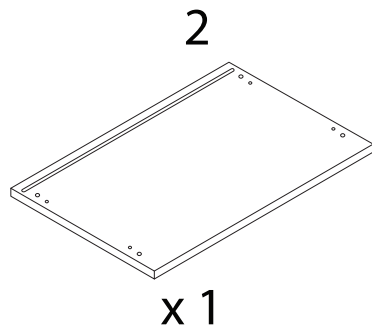
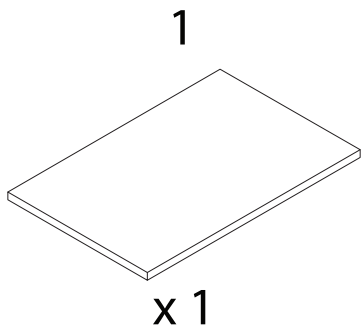


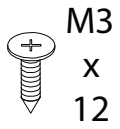
Assembly instructions for step 1/21:

- Tools:** A screwdriver is required. A power drill is not required (indicated by a diagonal line through the drill icon).
- Warning:** A warning triangle with an exclamation mark is shown.
- Time:** Estimated assembly time is 120 minutes, represented by a clock icon.
- Personnel:** Two people are required for assembly, represented by a person icon and the number 2.
- Diagram:** A diagram shows a rectangular panel being placed on a surface with a textured base. A second diagram shows the panel being secured to the base with a screw, with a diagonal line through the screw icon indicating it is not to be done.



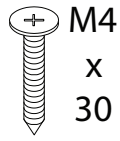


A



x 16

B



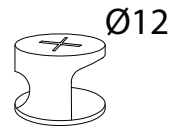
x 8

C1



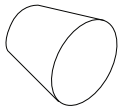
x 8

C2



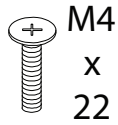
x 8

D



x 2

E



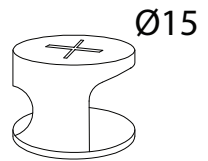
x 2

F



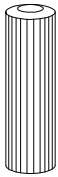
x 16

G



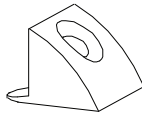
x 16

H



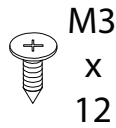
x 24

I1



x 6

I2



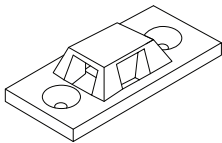
x 6

J1



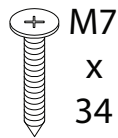
x 2

J2



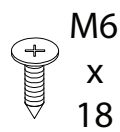
x 2

J3



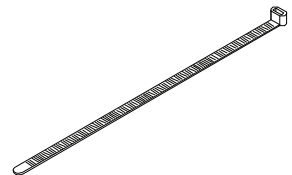
x 2

J4



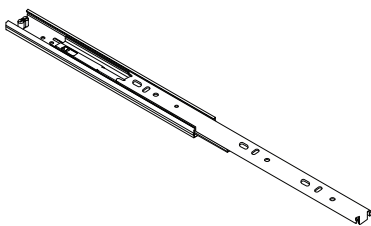
x 2

J5



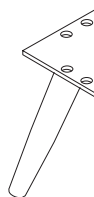
x 1

K



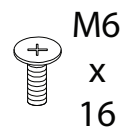
x 4

L



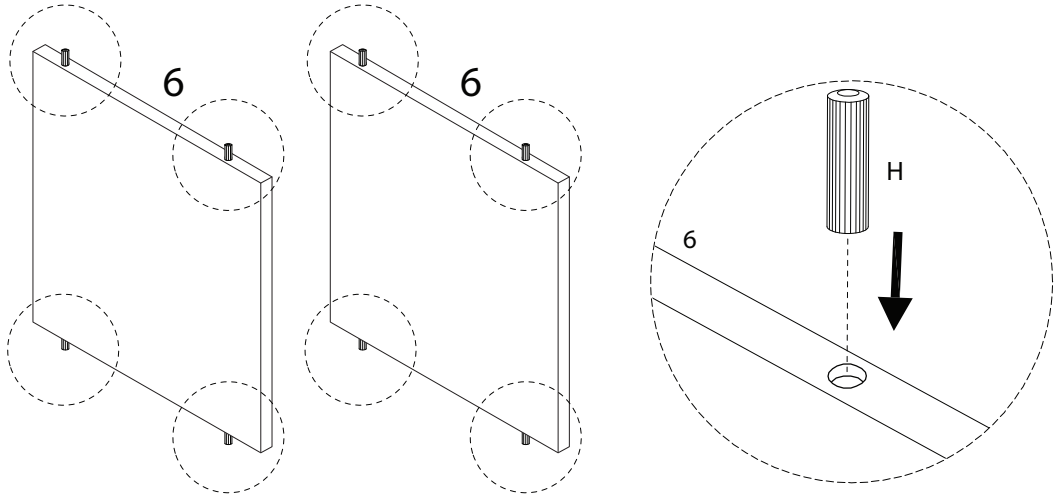
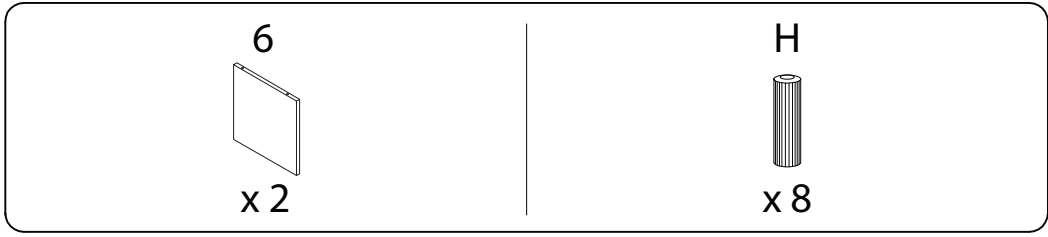
x 4

M

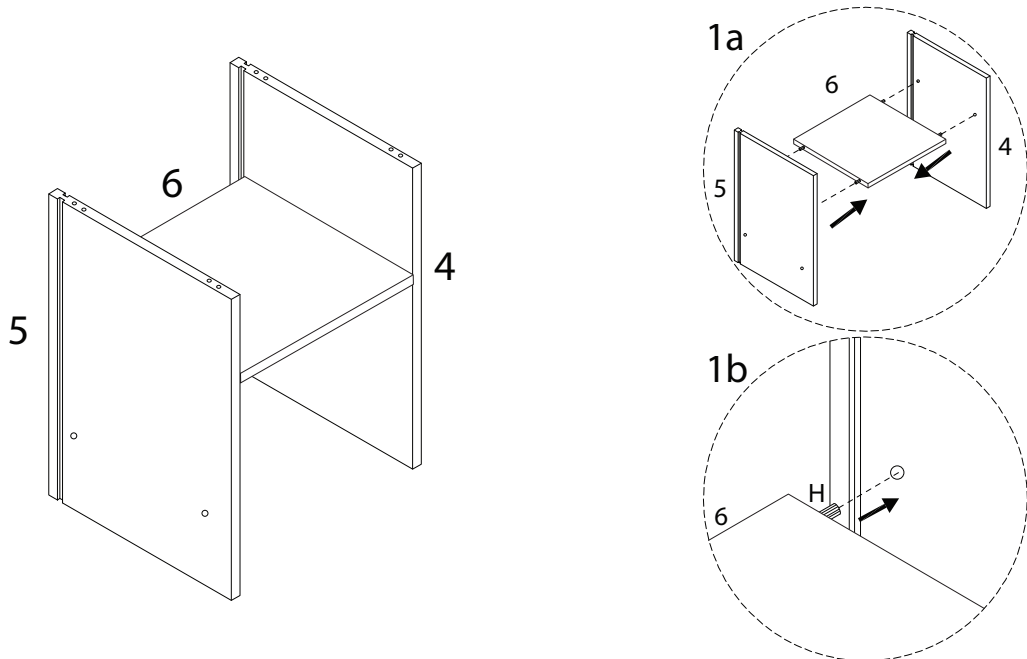
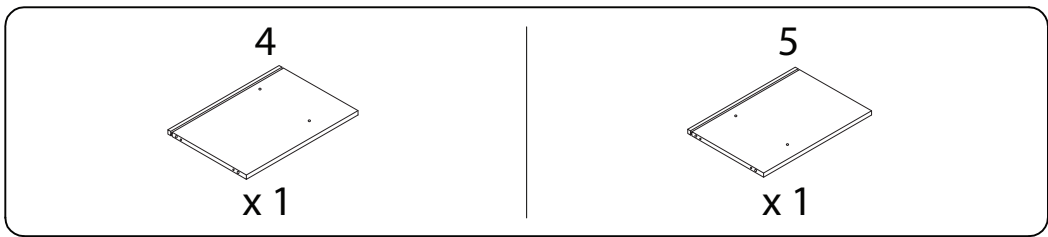


x 16

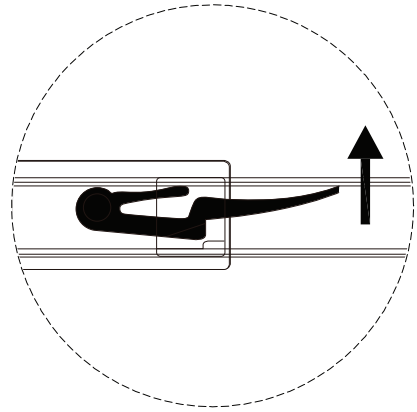
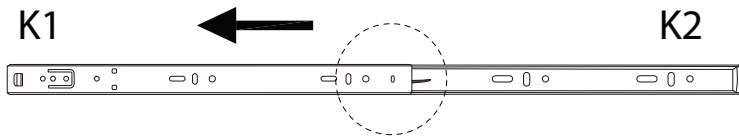
1



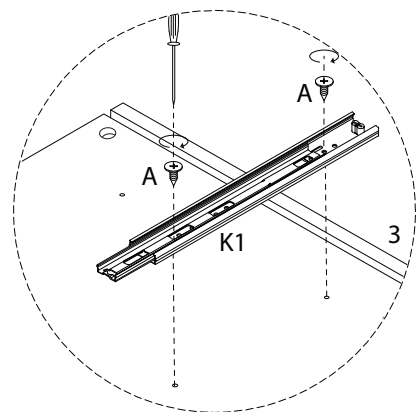
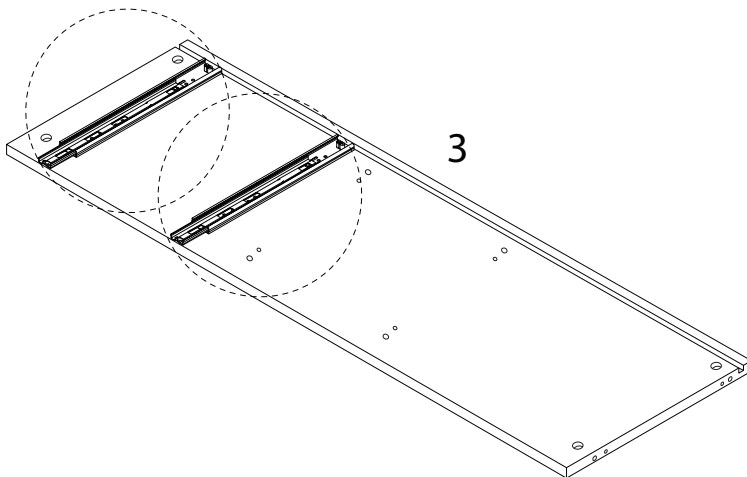
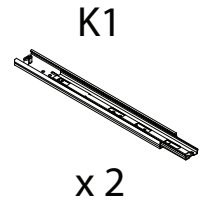
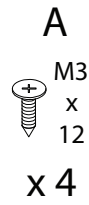
2



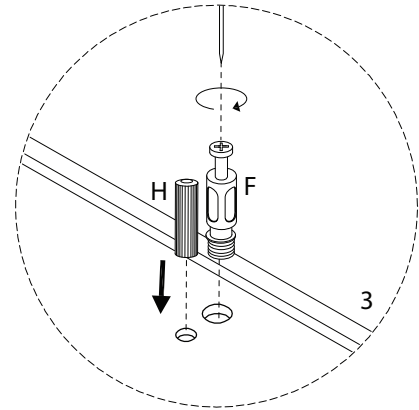
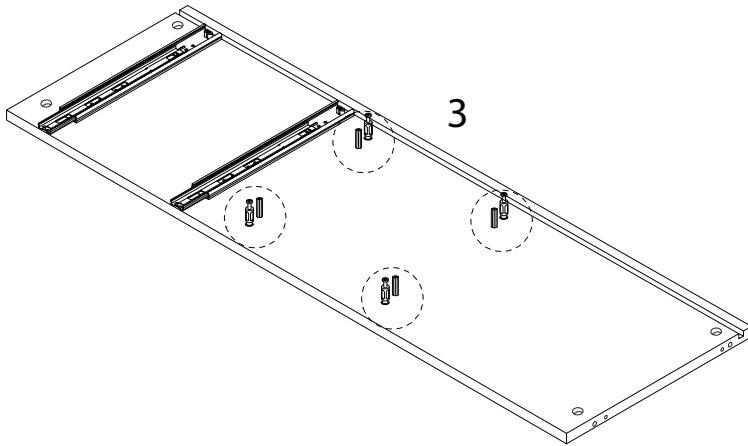
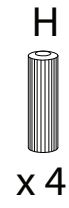
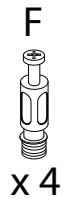
!



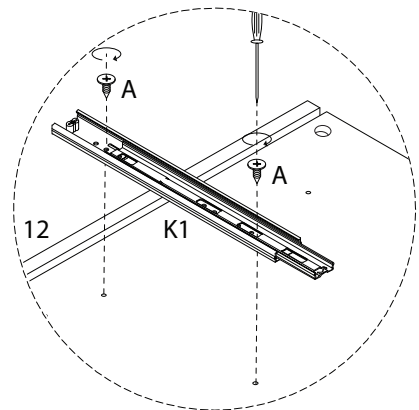
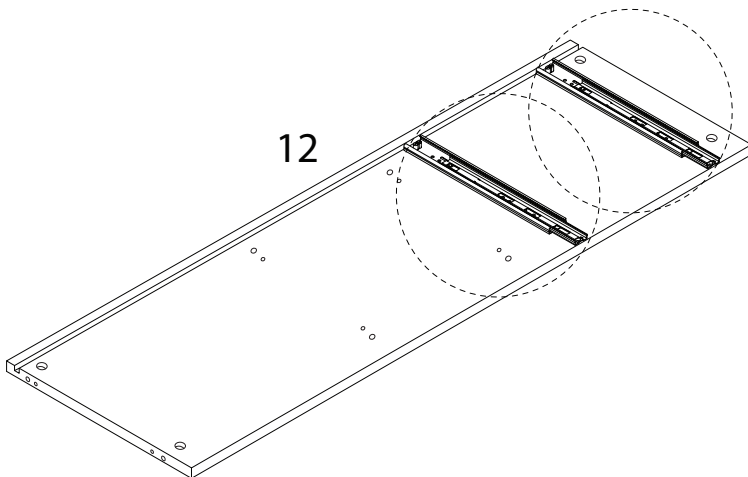
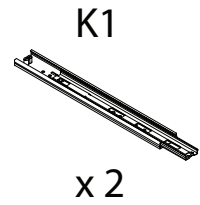
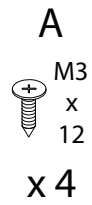
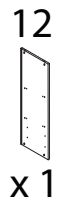
3



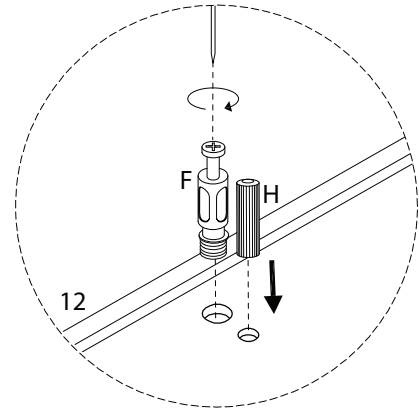
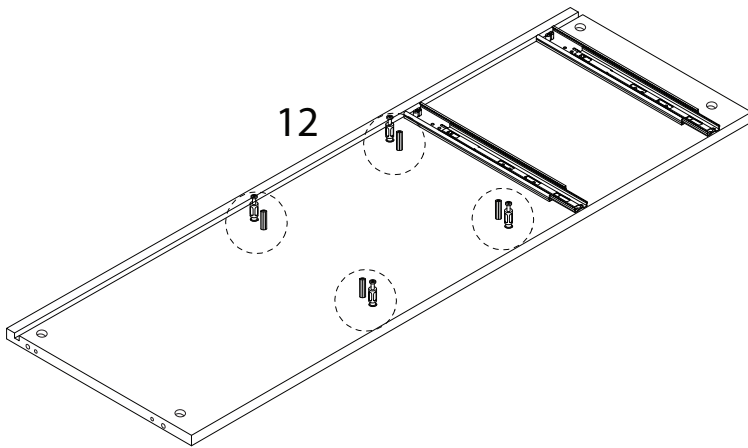
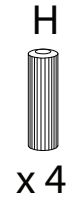
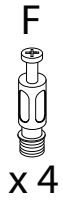
4



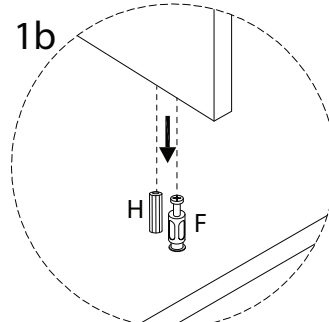
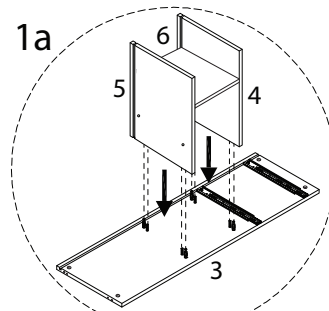
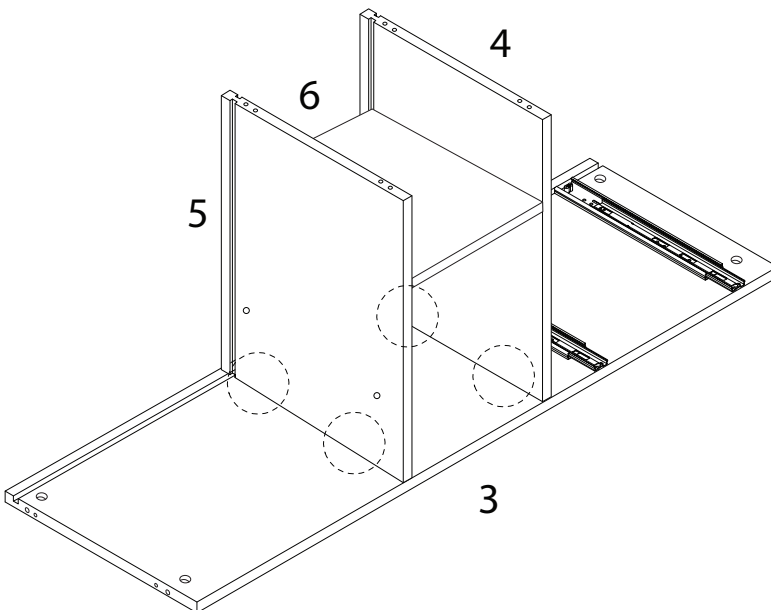
5



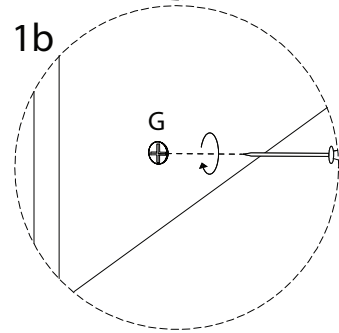
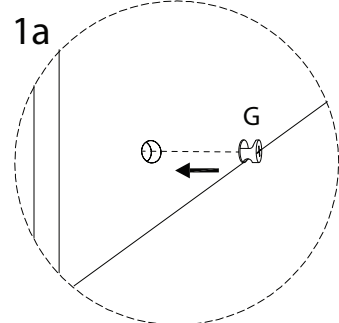
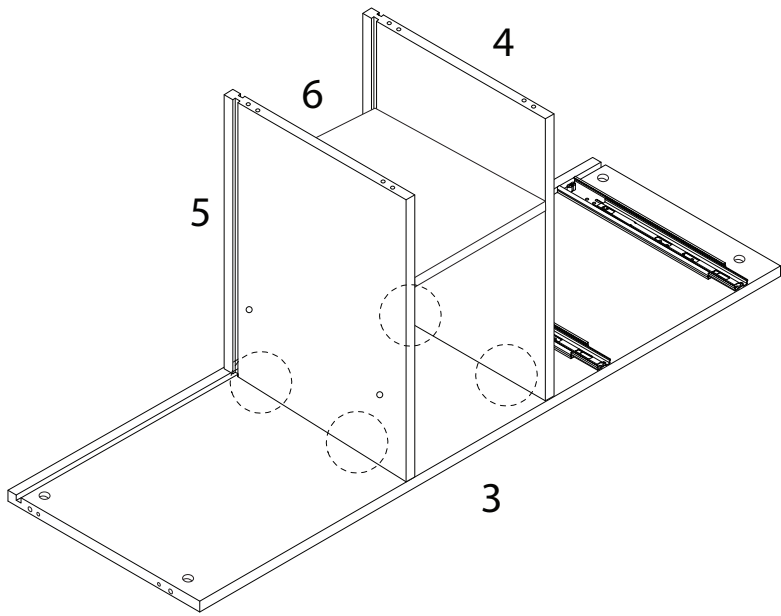
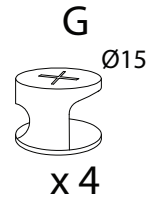
6



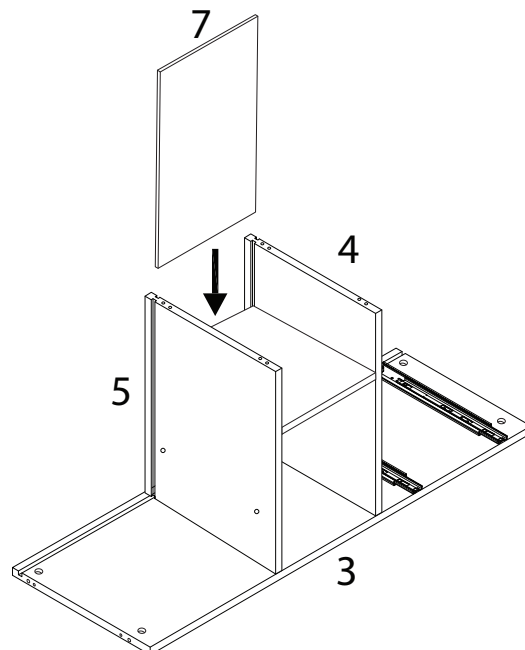
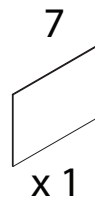
7



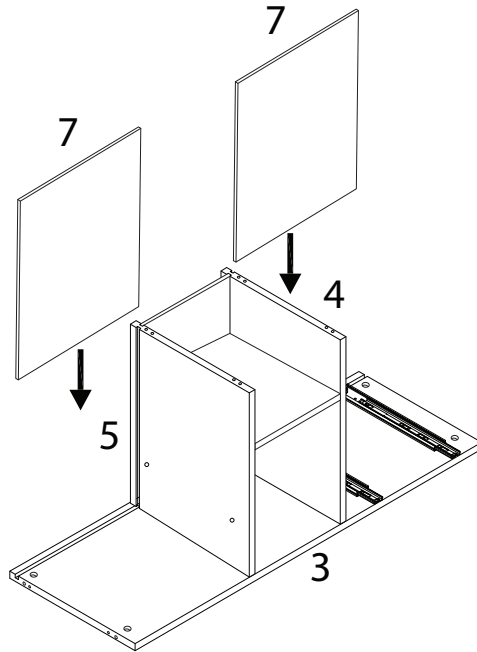
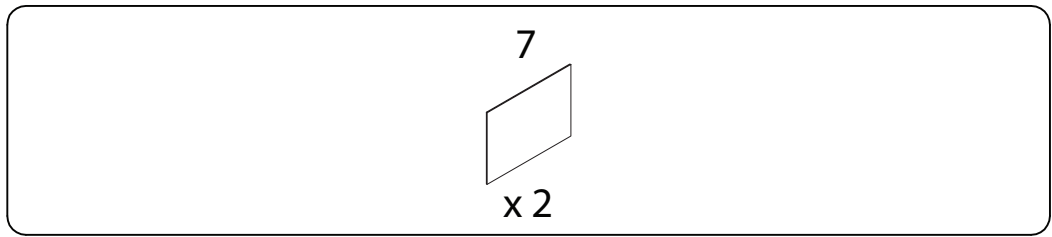
8



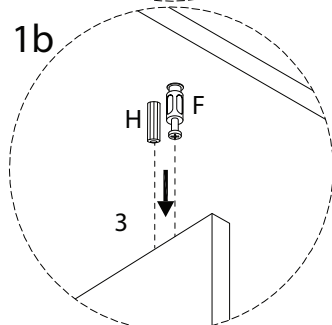
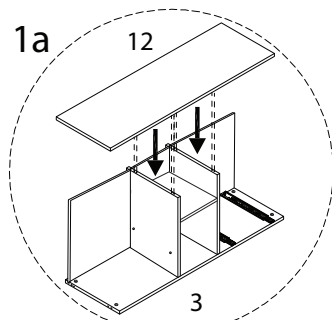
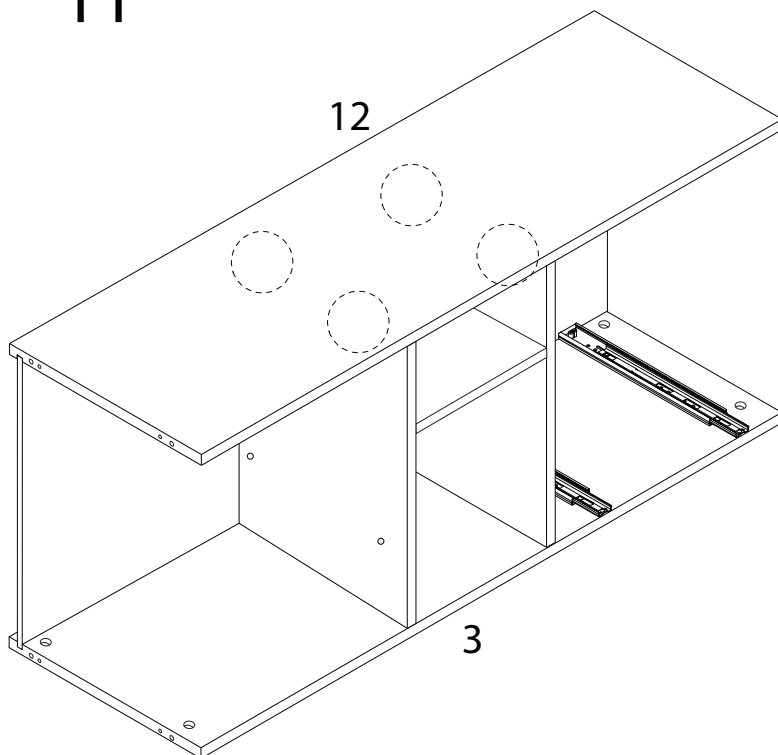
9



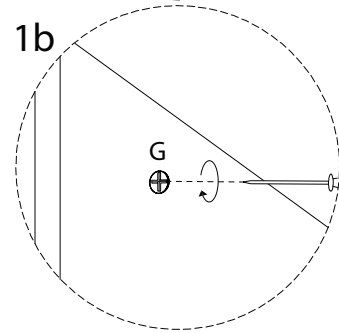
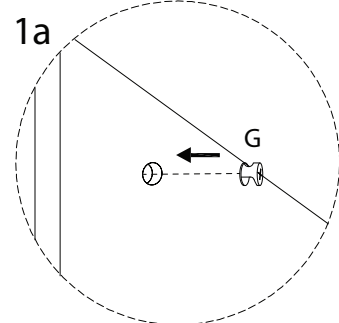
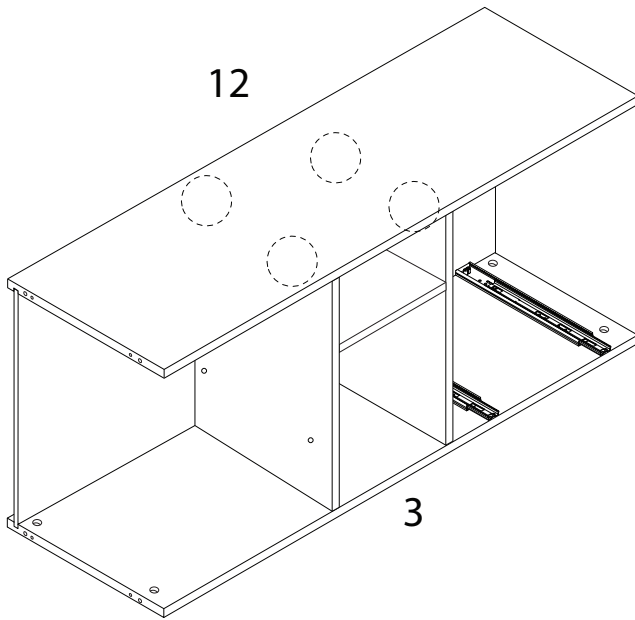
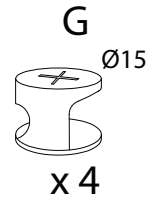
10



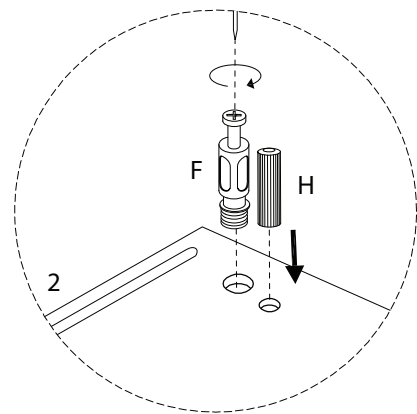
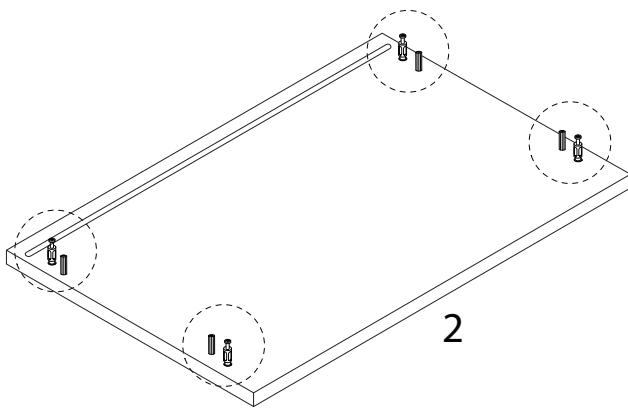
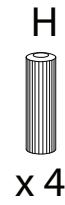
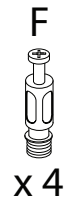
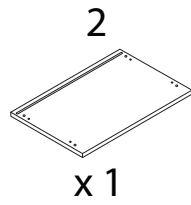
11



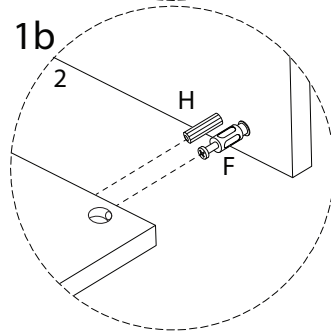
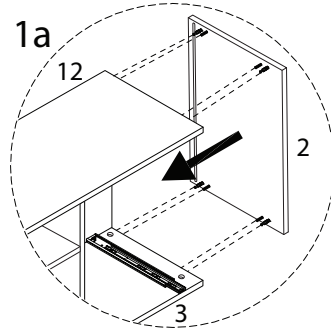
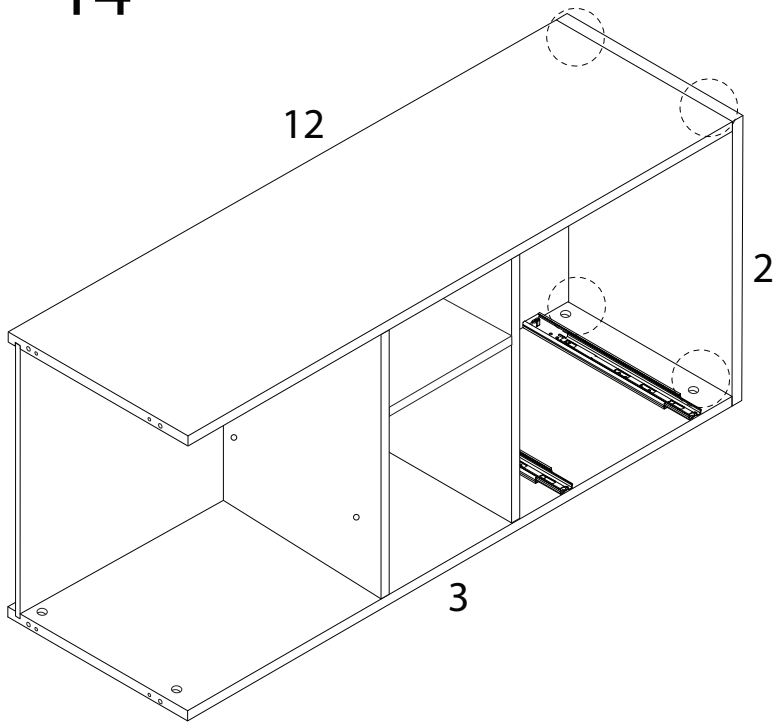
12



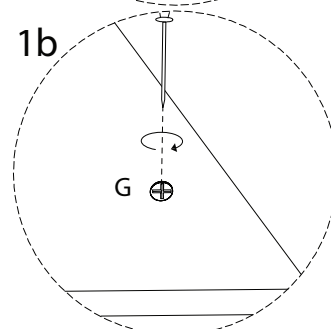
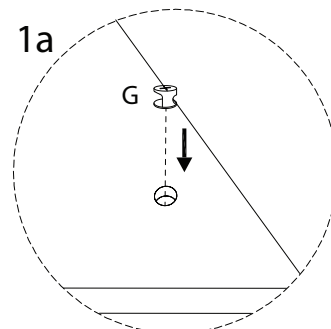
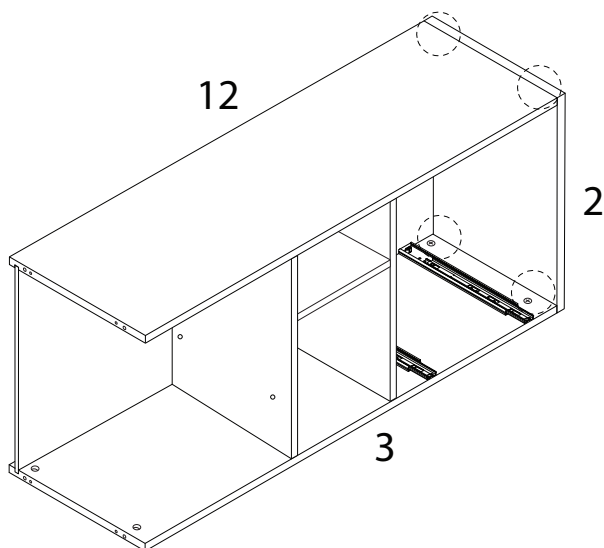
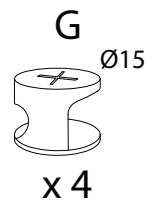
13



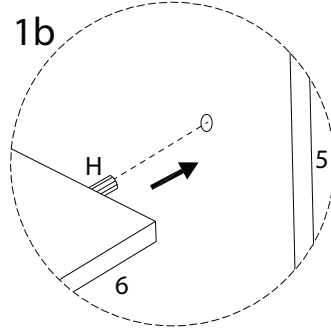
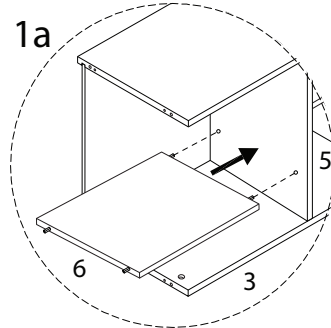
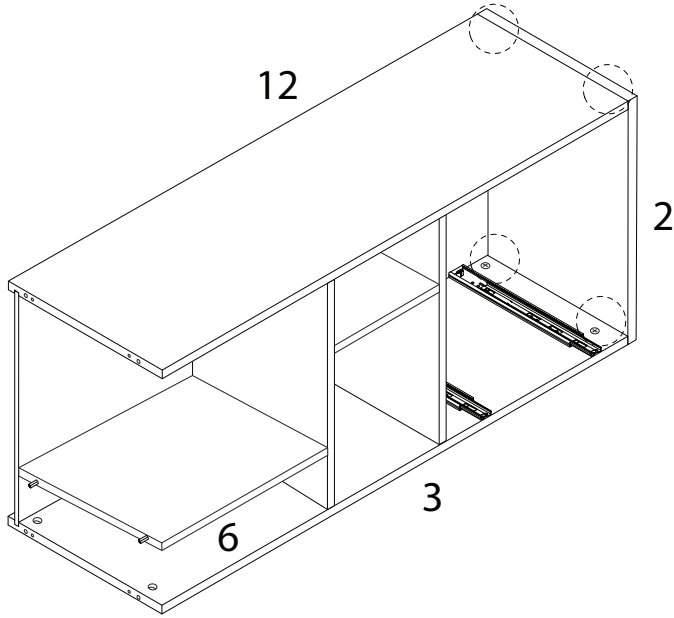
14



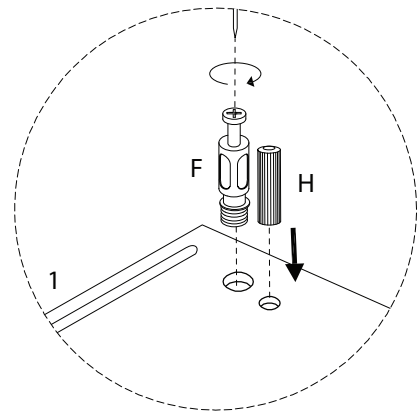
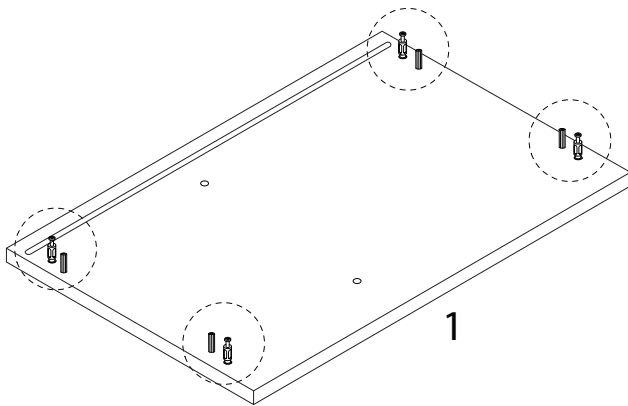
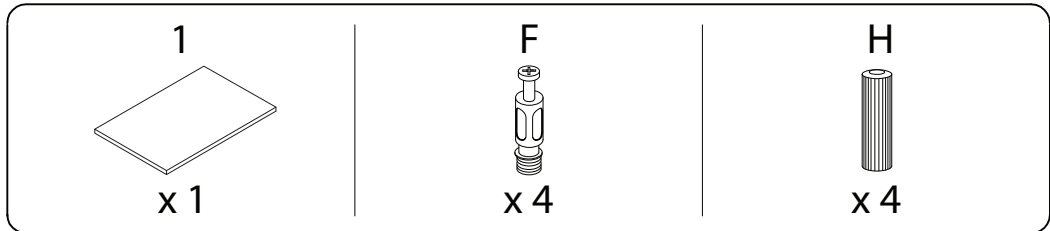
15



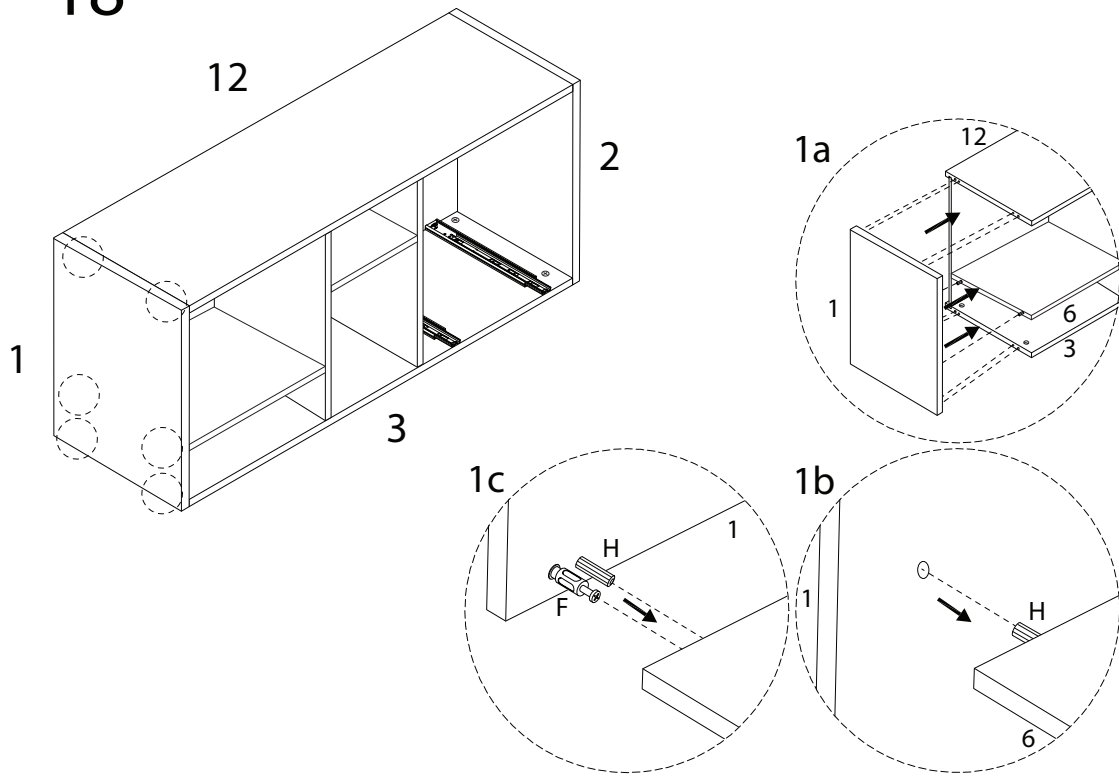
16



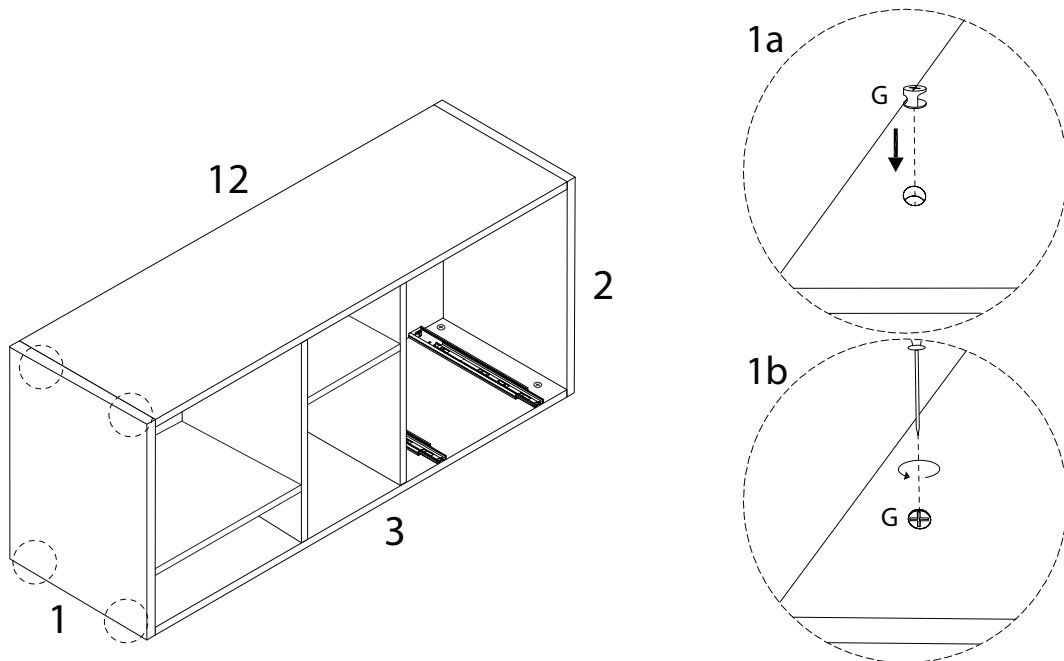
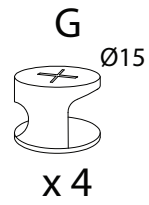
17



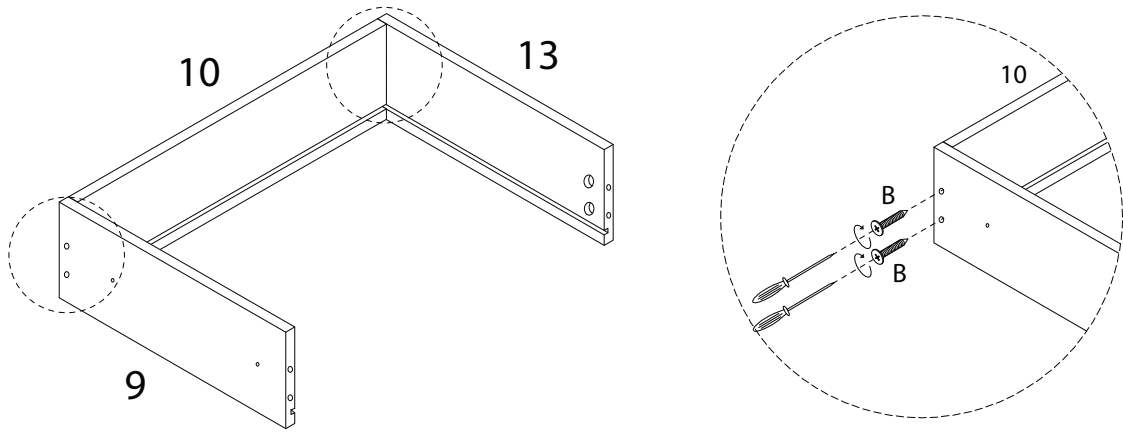
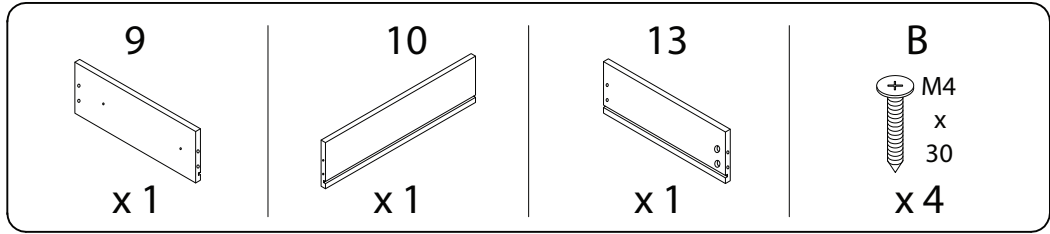
18



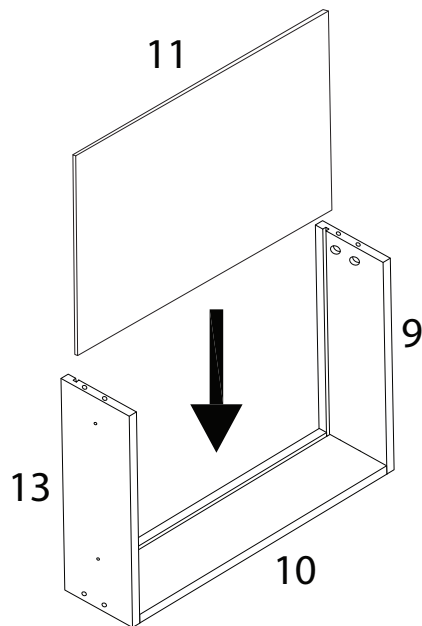
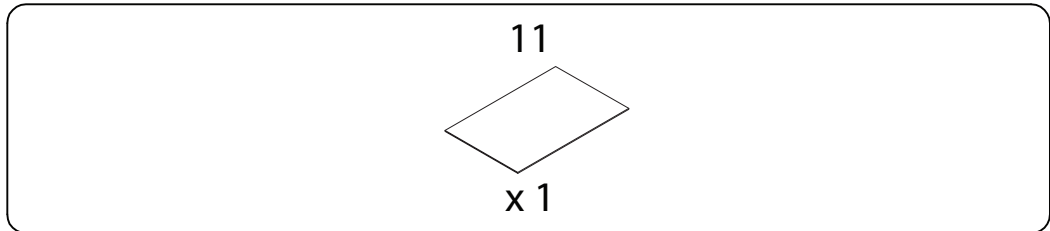
19



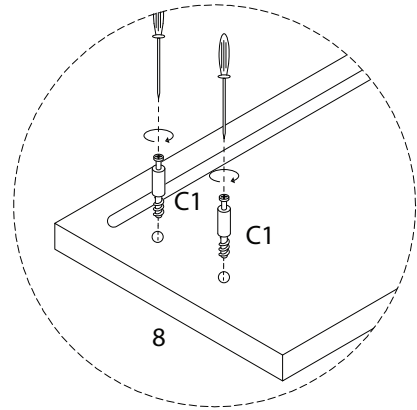
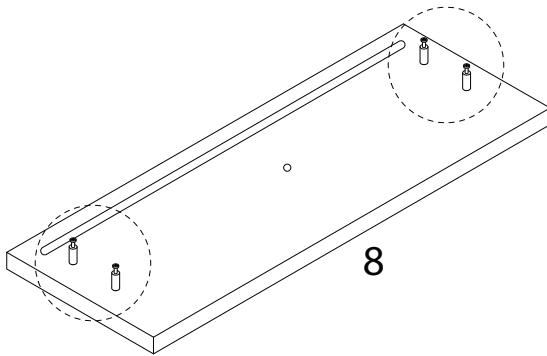
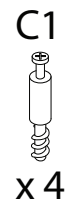
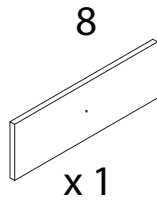
20 x 2



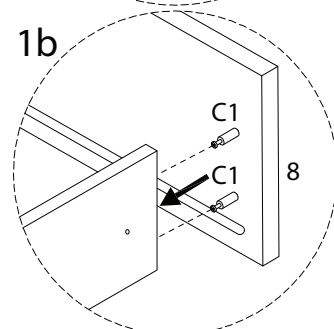
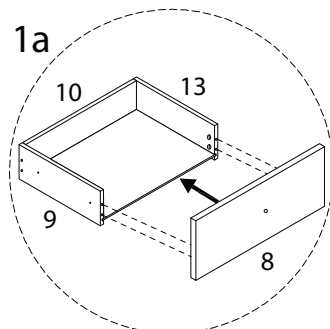
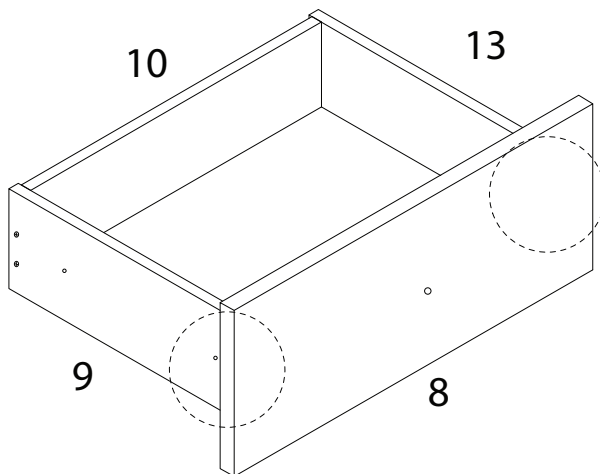
21 x 2



22 x 2

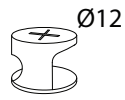


23 x 2

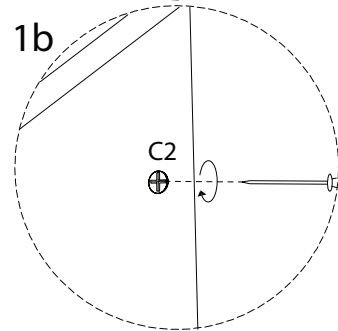
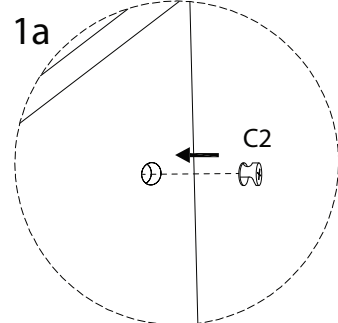
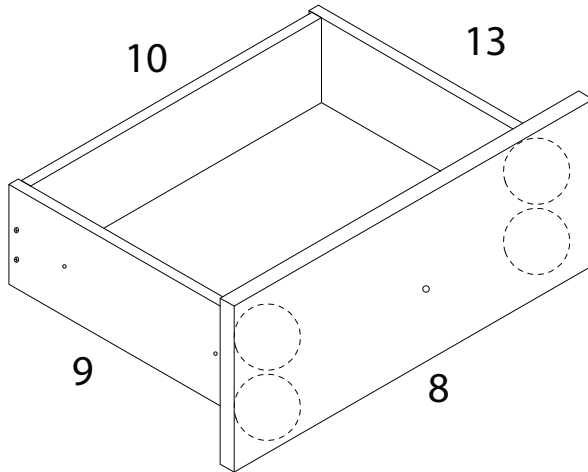


24 x 2

C2



x 4



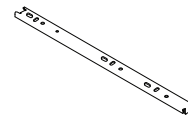
25 x 2

A

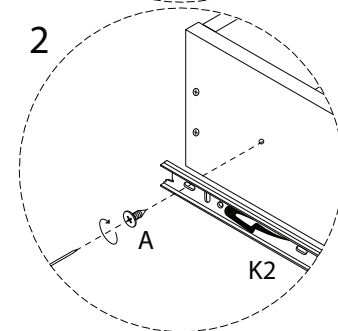
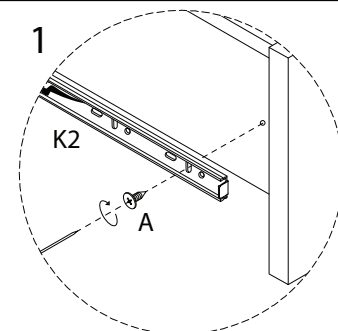
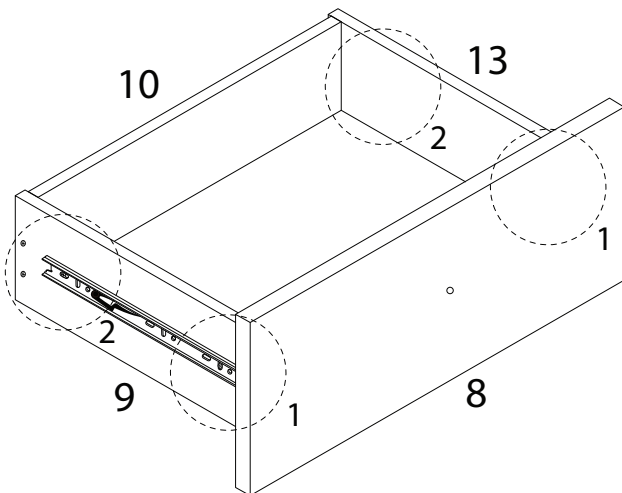


x 4

K2



x 2



26 x 2

D

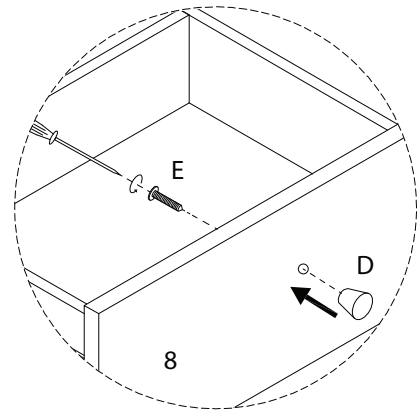
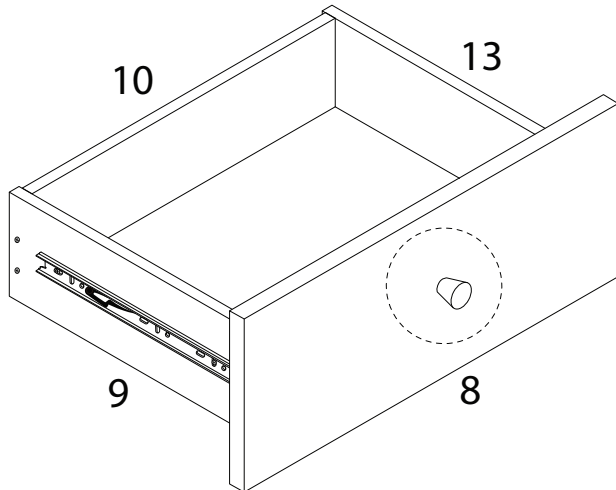


x 1

E



x 1



27

L

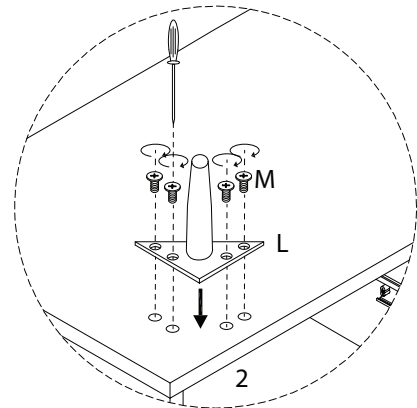
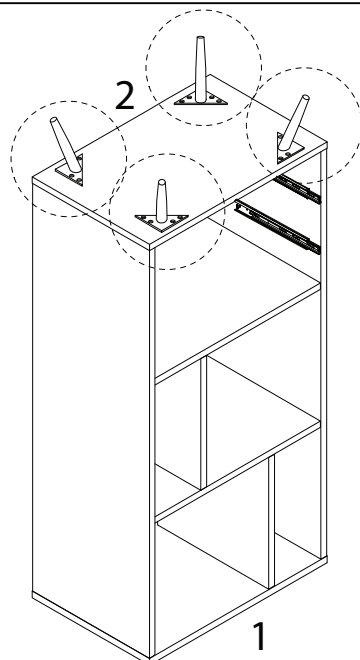


x 4

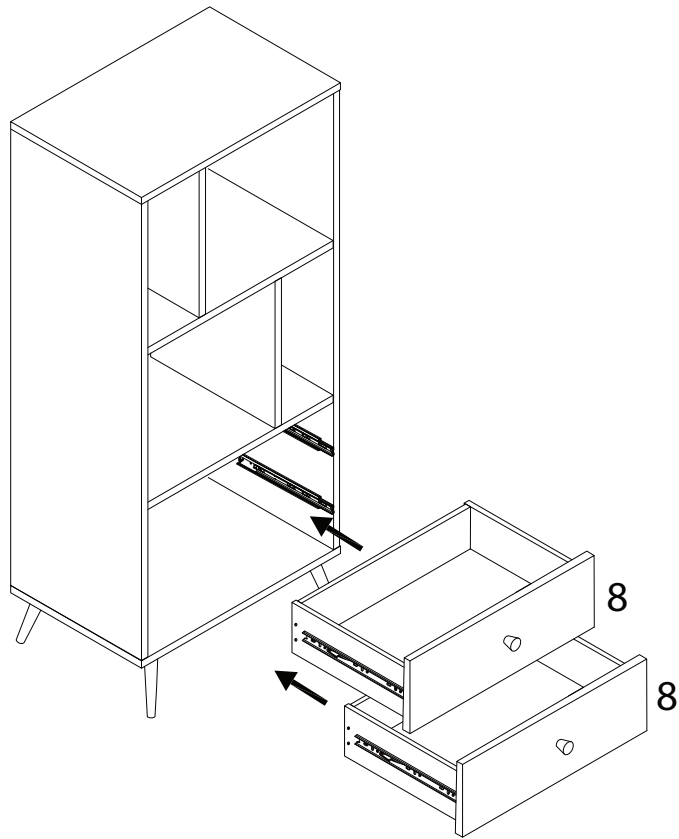
M



x 16

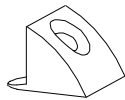


28



29

I1

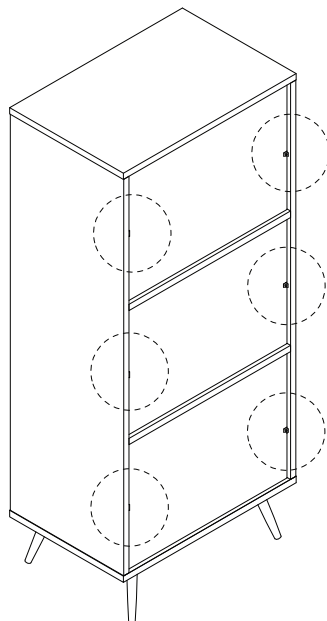


x 6

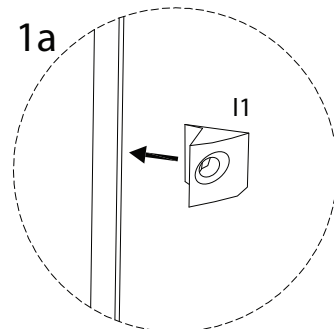
I2



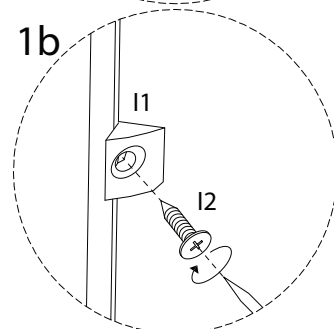
x 6



1a

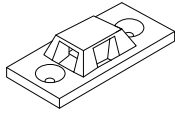


1b



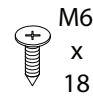
30

J2

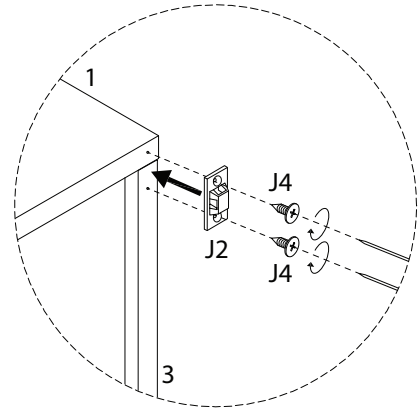
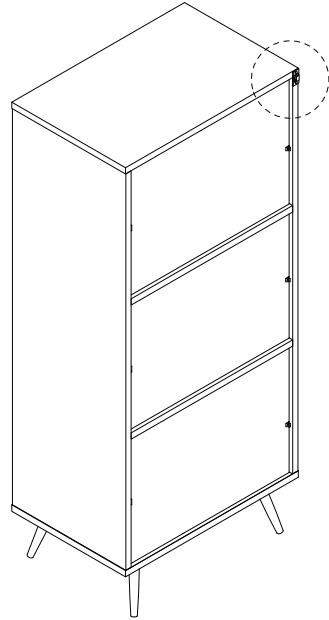


x 1

J4



x 2



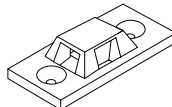
31

J1



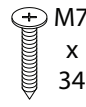
x 2

J2



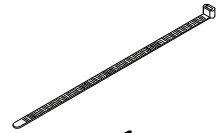
x 1

J3

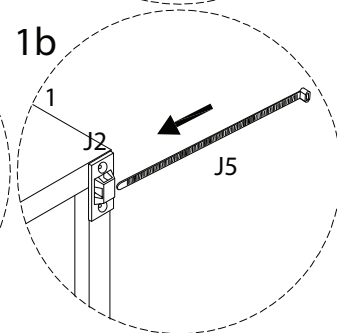
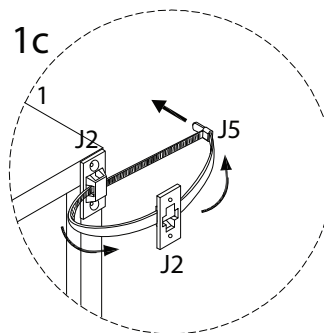
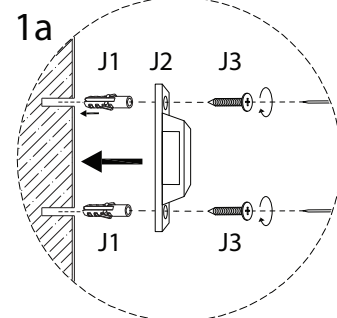
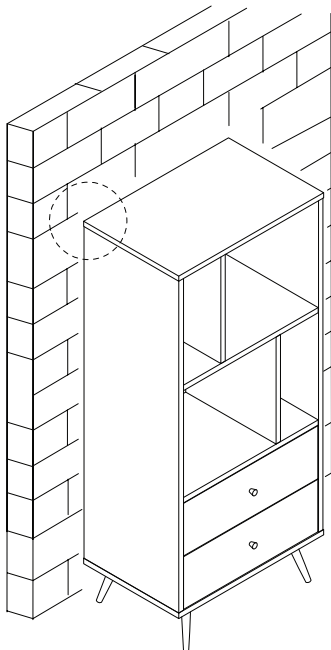


x 2

J5



x 1



!

