

HAPPINESS HAPPINESS INSTALLATION



CAUTION

Parts are placed at the bottom of the product.

- If you have any questions with the product, please contact us by:
- **Email: customerservice@zoy-living.com**
(we will reply to you within 24 hours)

Assembly Instructions

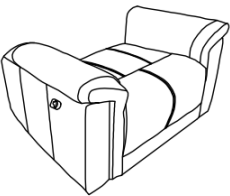
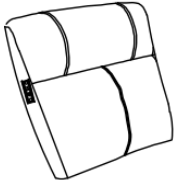


CAUTION

DO NOT use any sharp objects to open plastic wrapped components as this may result damage to product or components .

Model: **RR5555C**

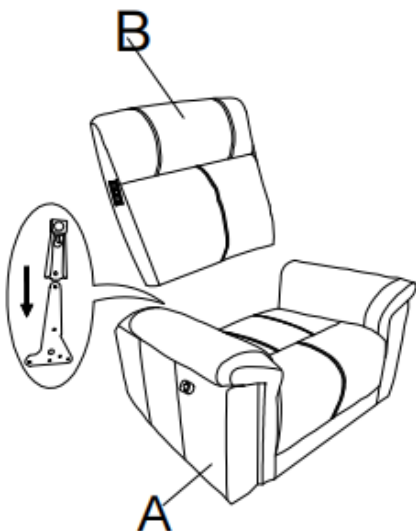
Your recliner comes packaged in **One** box. Carefully remove all of components from the packaging and setaside for assembly.

Package Contents

BOX 1 RR5555CF51D				
	A*1 Seat Body	B*1 Backrest	C*1 Left Ear	D*1 Right Ear

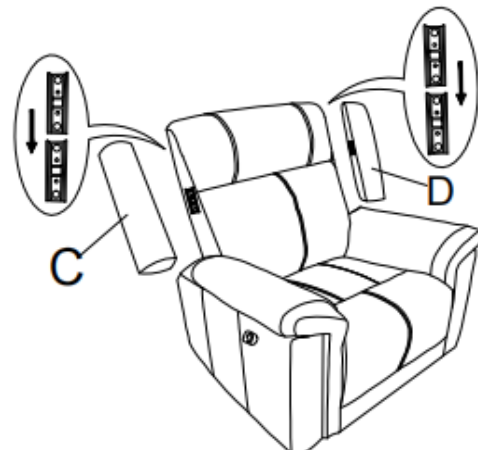
Step 1

Attach **Backrest (B)** to the **Seat Body (A)**, making sure it is securely installed before use.



Step 2

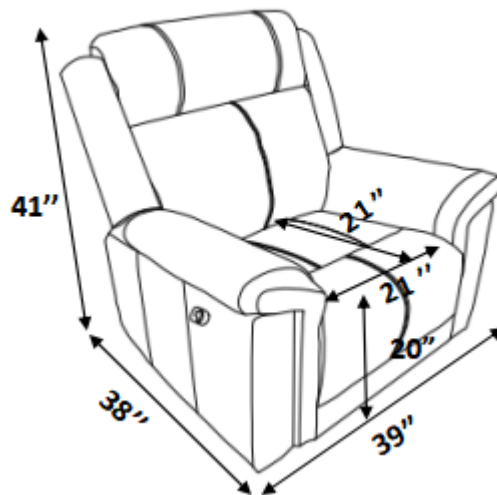
Attach **Ears (C&D)** to the **Backrest (B)**, making sure it is securely installed before use.



ASSEMBLY COMPLETED



INSTRUCTIONS FOR USE - SIZE DIMENSIONS



Recliner Chair

RR5555CF51D

⚠️ WARNINGS

1. Please check if the components of the chair are all included and can be used normally.
2. Assemble all components according to the instruction correctly before you sit in the chair
3. Please DO NOT sit on the armrests or footrest to eliminate the risk of tipping over.
4. If the chair is damaged or doesn't match the website description, please send clear pictures of the product and label of the carton to our service team for further help.
5. If you have any questions about our products, please contact us by:

Email: customerservice@zoy-living.com (we will respond to your inquiry within 24 hours)

