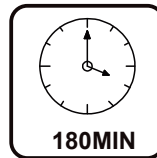
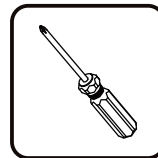
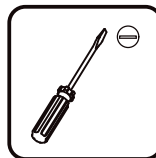
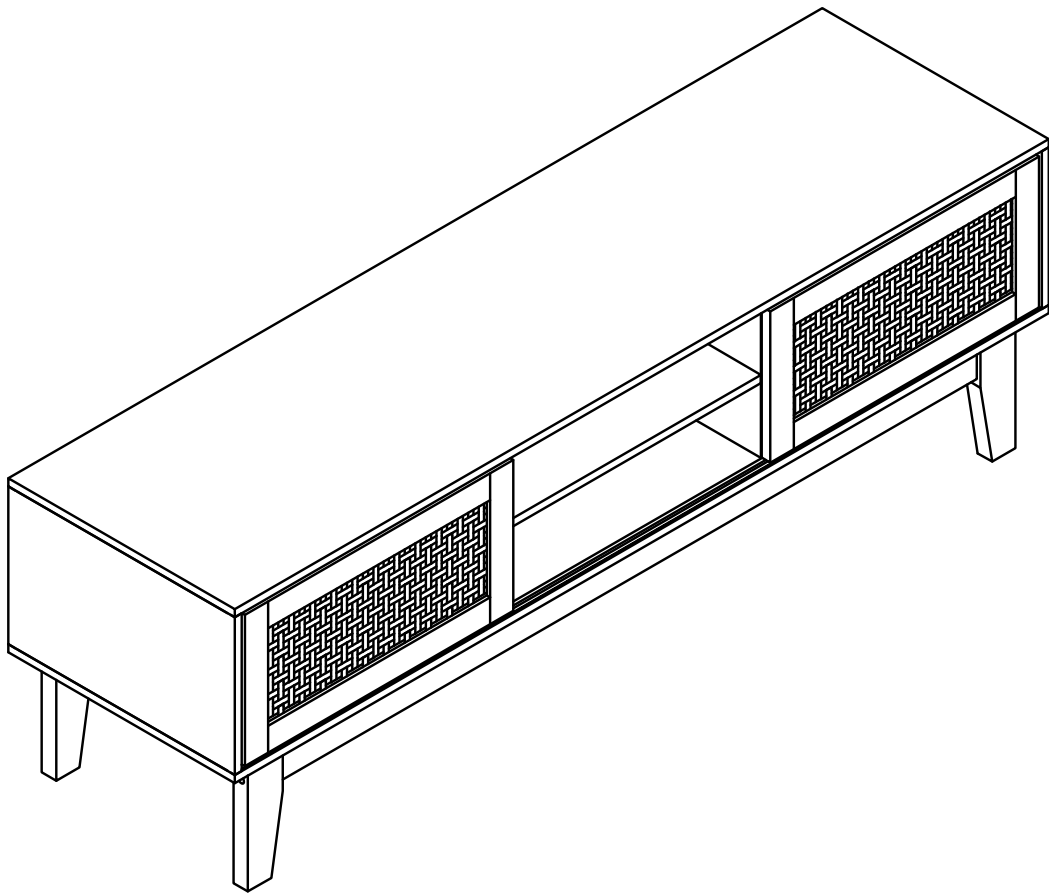


# HLG028

Version: 1.0



**EN\_IMPORTANT, RETAIN FOR FUTURE REFERENCE: READ CAREFULLY.**

*. THANK YOU FOR PURCHASE! .*

# FREE REPLACEMENT PARTS AVAILABLE!



*---NEED HELP WITH YOUR FURNITURE?---*

Scan the QR code to contact us!



If you're experiencing any issues—whether due to shipping, assembly, or any other reason  
—we're here to help.  
For any damaged or missing components, we're happy to provide FREE replacement parts.



WhatsApp

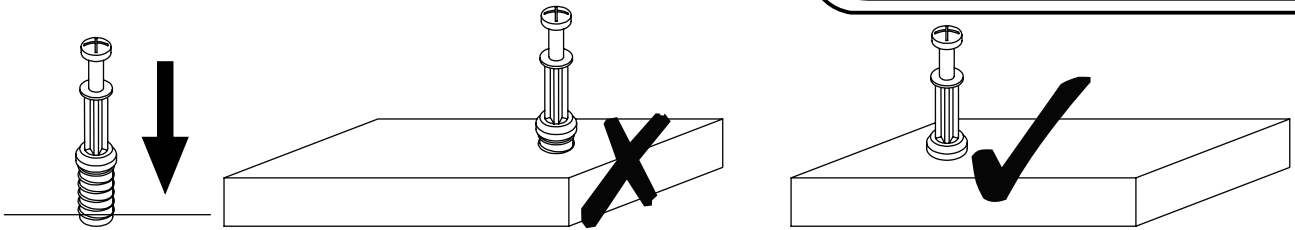
Email: [service@furnlog.com](mailto:service@furnlog.com)

*WANT TO CONTACT US THROUGH AMAZON?*

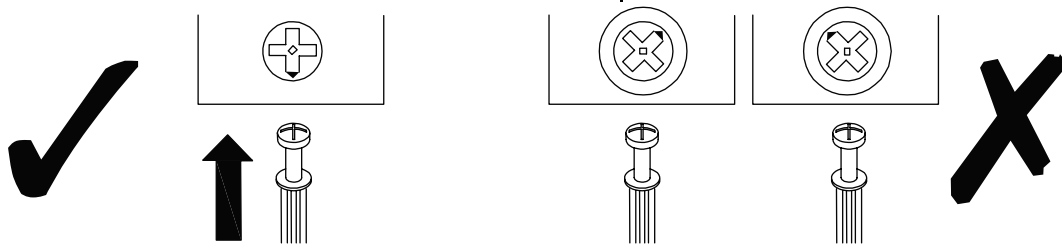
- ▶ Log in to your Amazon account.
- ▶ Go to “Your Orders” and locate your furniture order.
- ▶ Click on “Get Help with Order” to send us a message directly.

Our customer support team is ready to assist you and we will respond within  
12-24 HOURS to resolve your concerns quickly!

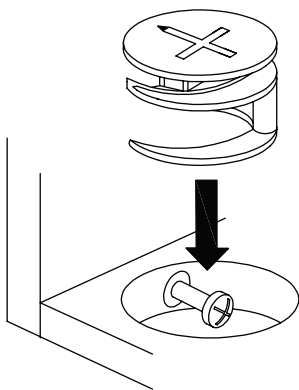
## USING CAM LOCK AND QUICKFIT



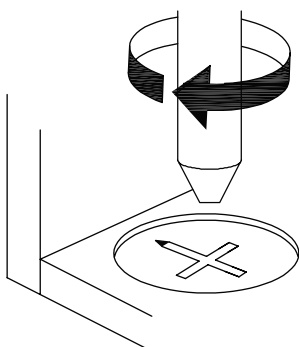
**EN\_QUICKFIT:** Tighten quickfit until shoulder is flush with panel. Do not overtighten or undertighten.



**EN\_CAM LOCK:** When fitting cam lock, ensure starting position is correct before you insert connecting quickfit.


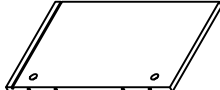
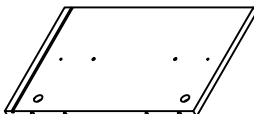
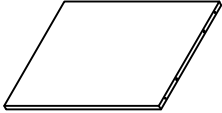
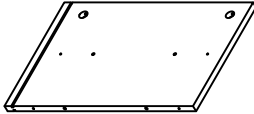
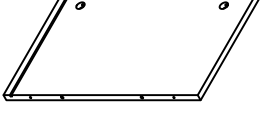
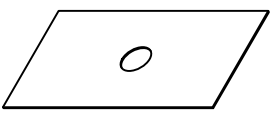
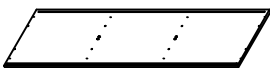

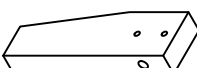


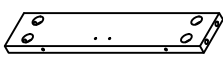

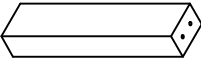
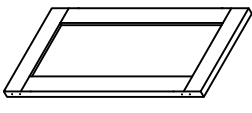

**EN\_Quickfit** head should be in the centre of the cam lock when the two panels are joined.  
Cam lock should be inserted before quickfit.

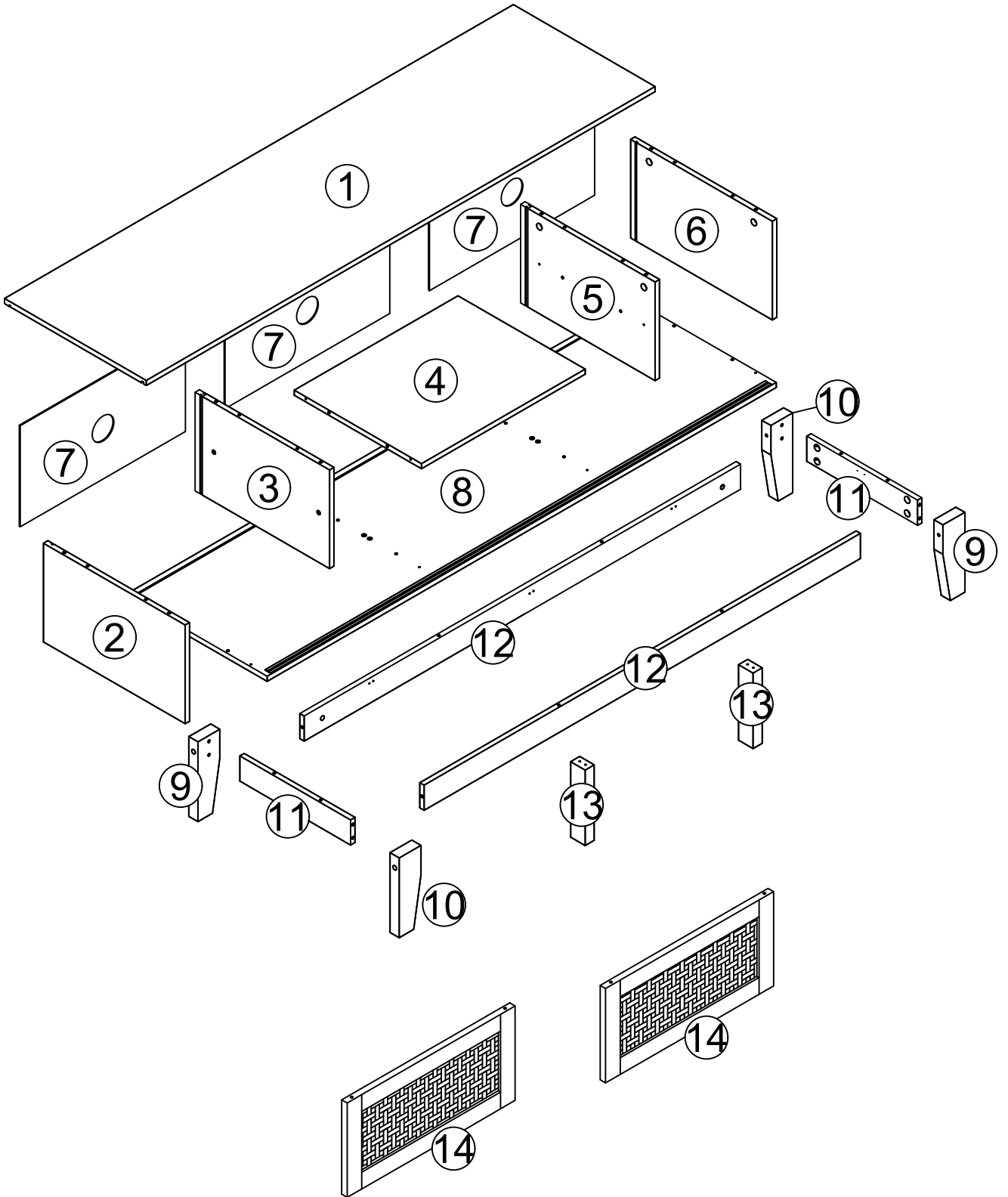


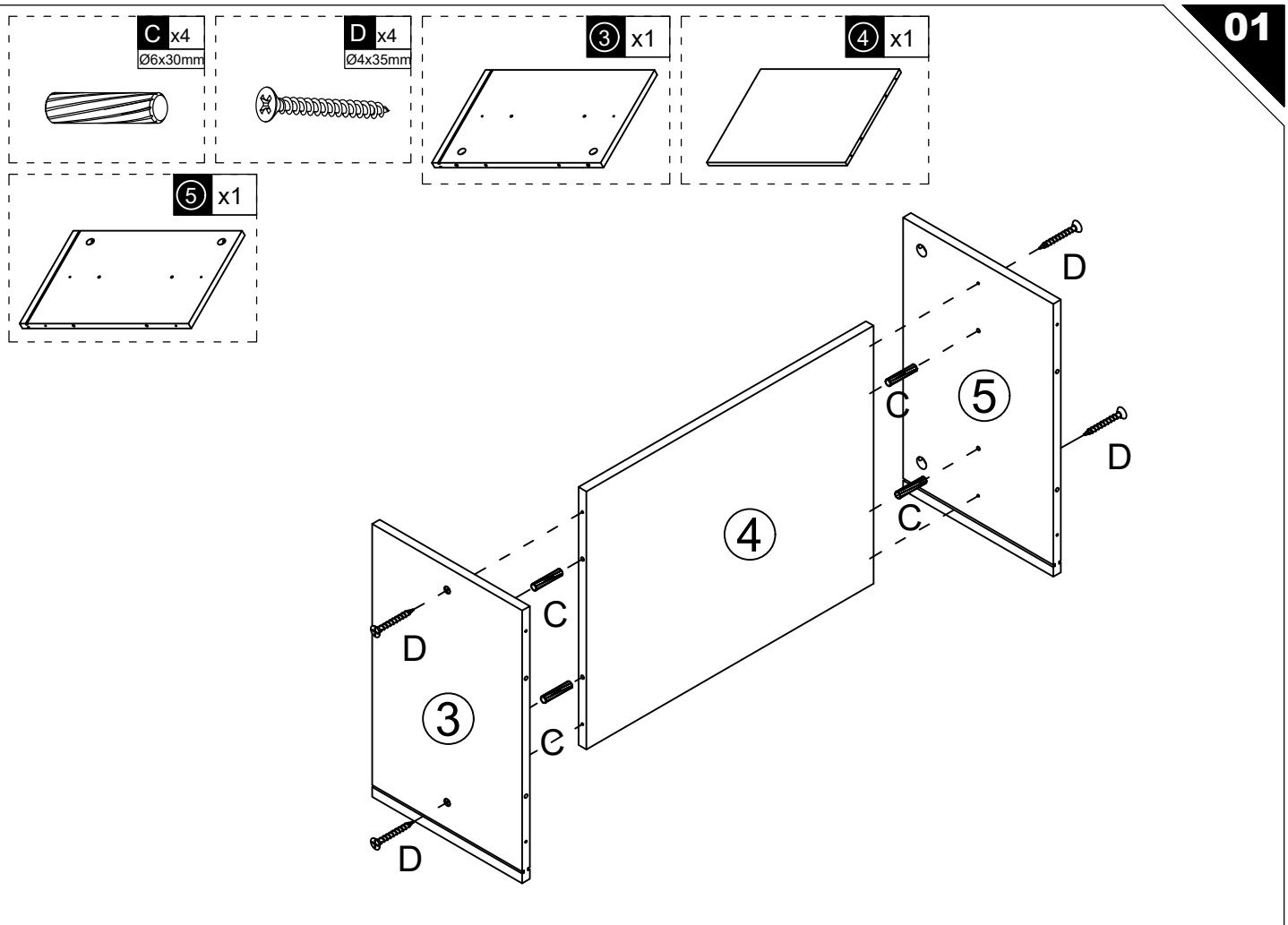
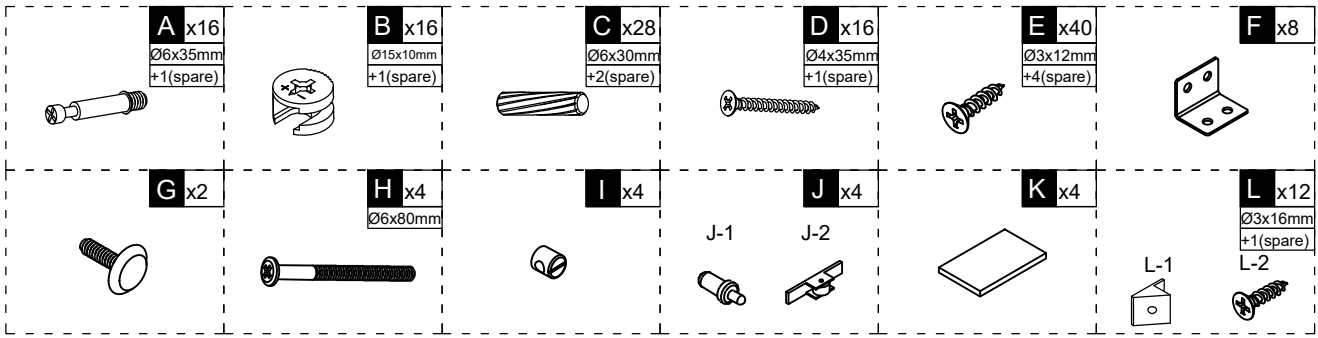
**EN\_Turn** cam lock clockwise to tighten.

**PACKING DELALS**

NO.	PARTS	QTY	SPARE
①		x1	
②		x1	
③		x1	
④		x1	
⑤		x1	
⑥		x1	
⑦		x3	
⑧		x1	
⑨		x2	
⑩		x2	

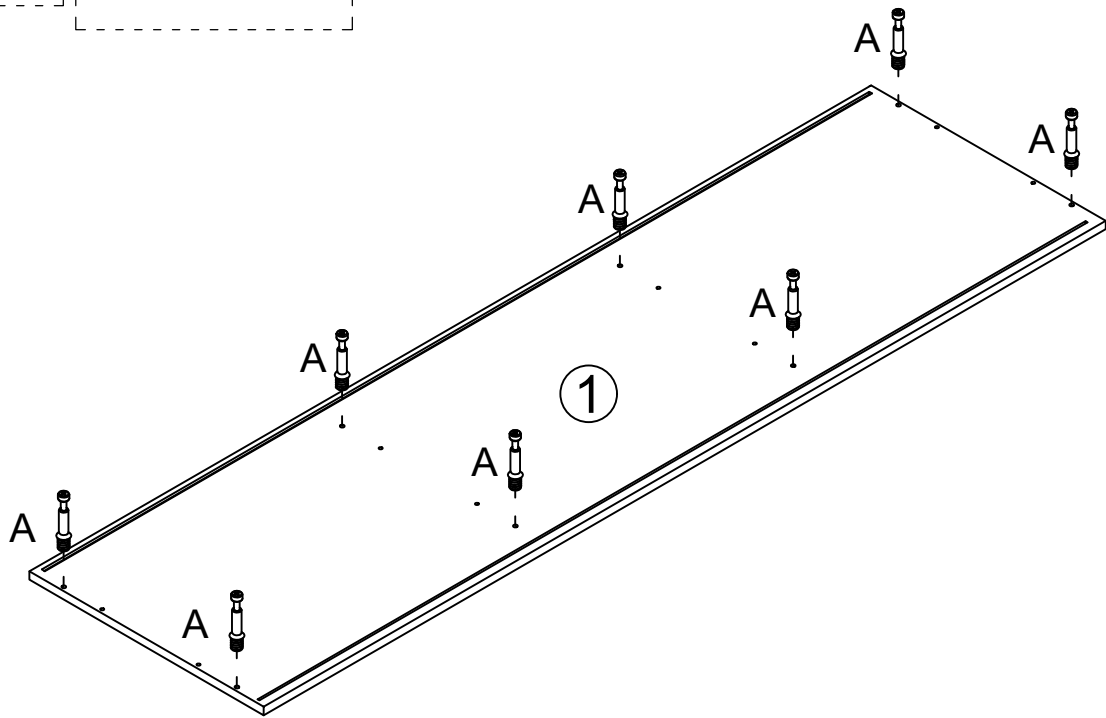
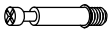
NO.	PARTS	QTY	SPARE
⑪		x2	
⑫		x2	
⑬		x2	
⑭		x2	
	 Hardware Kit	x1	



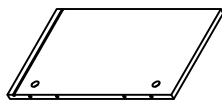


A x8  
Ø6x35mm

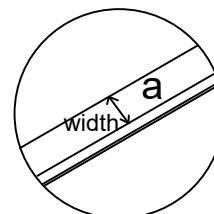
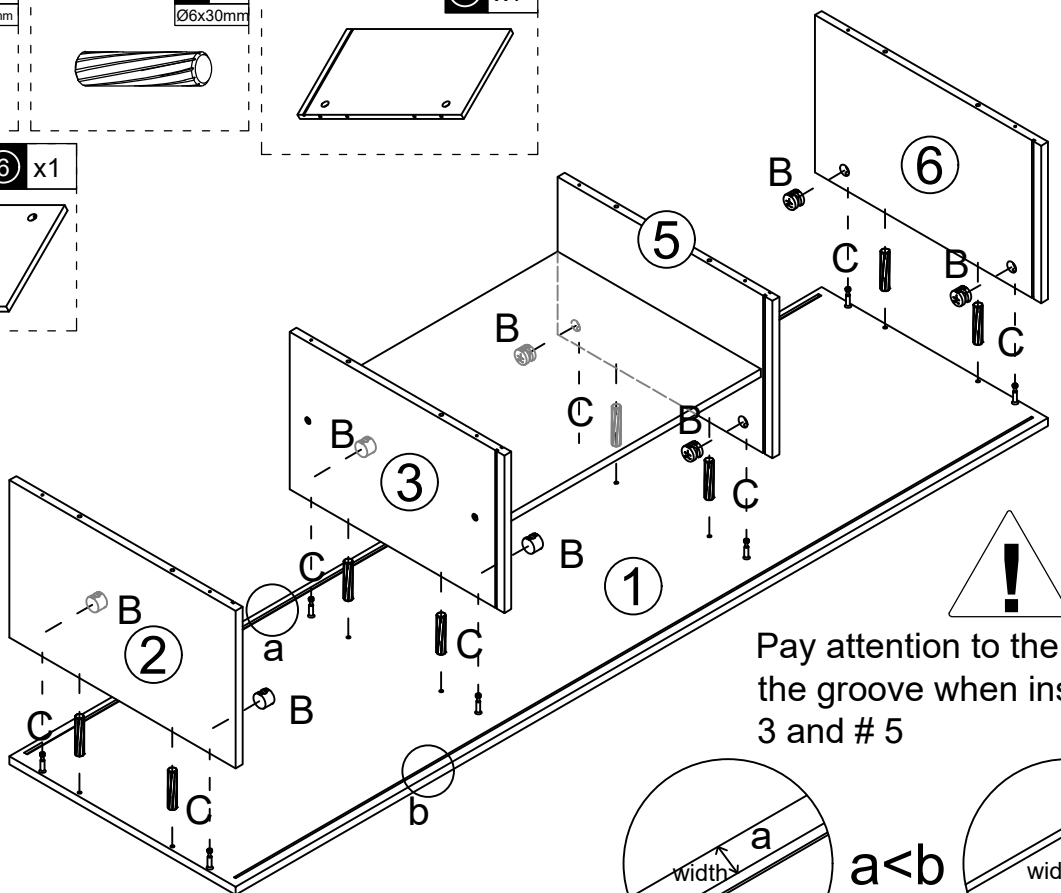
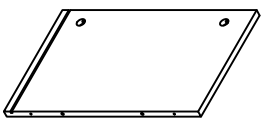
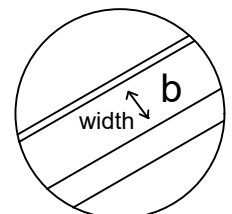
① x1

B x8  
Ø15x10mmC x8  
Ø6x30mm

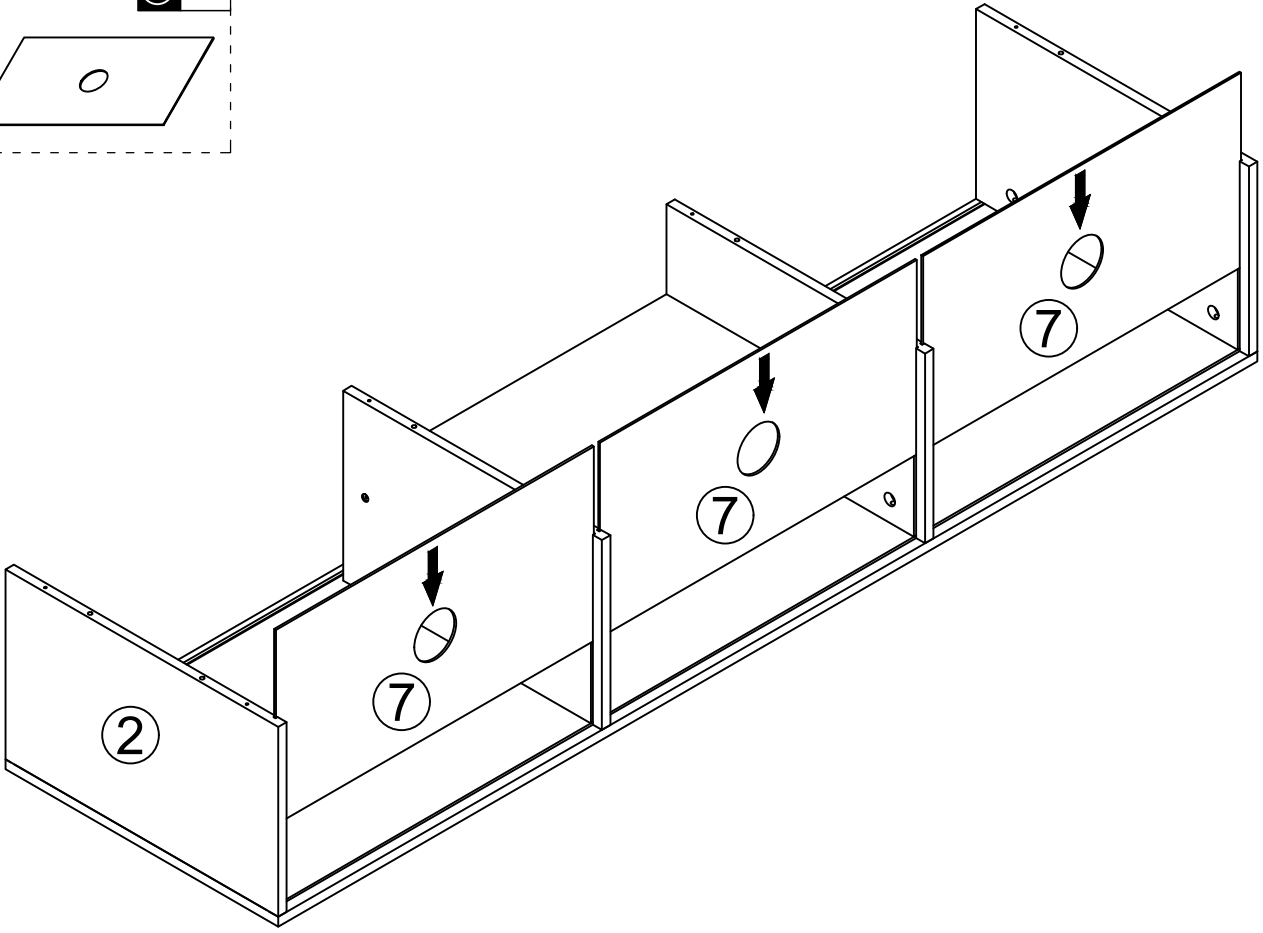
② x1



⑥ x1

 $a < b$ 

7 x3



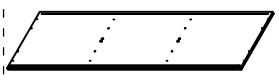
D x4  
Ø4x35mm



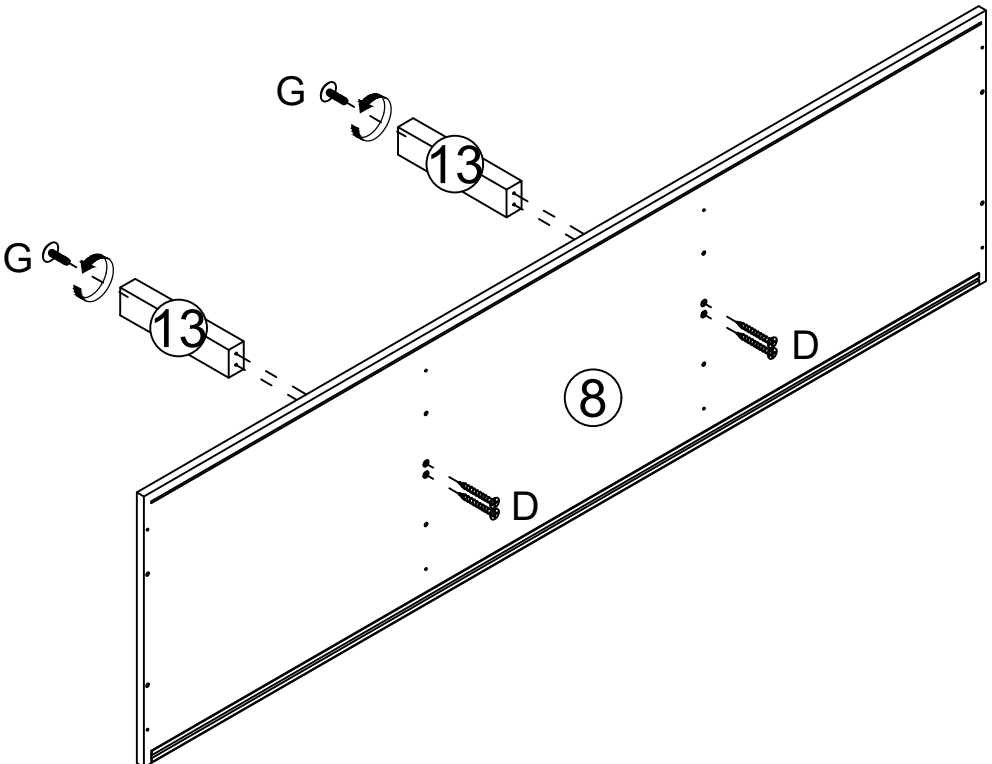
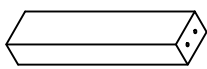
G x2



8 x1

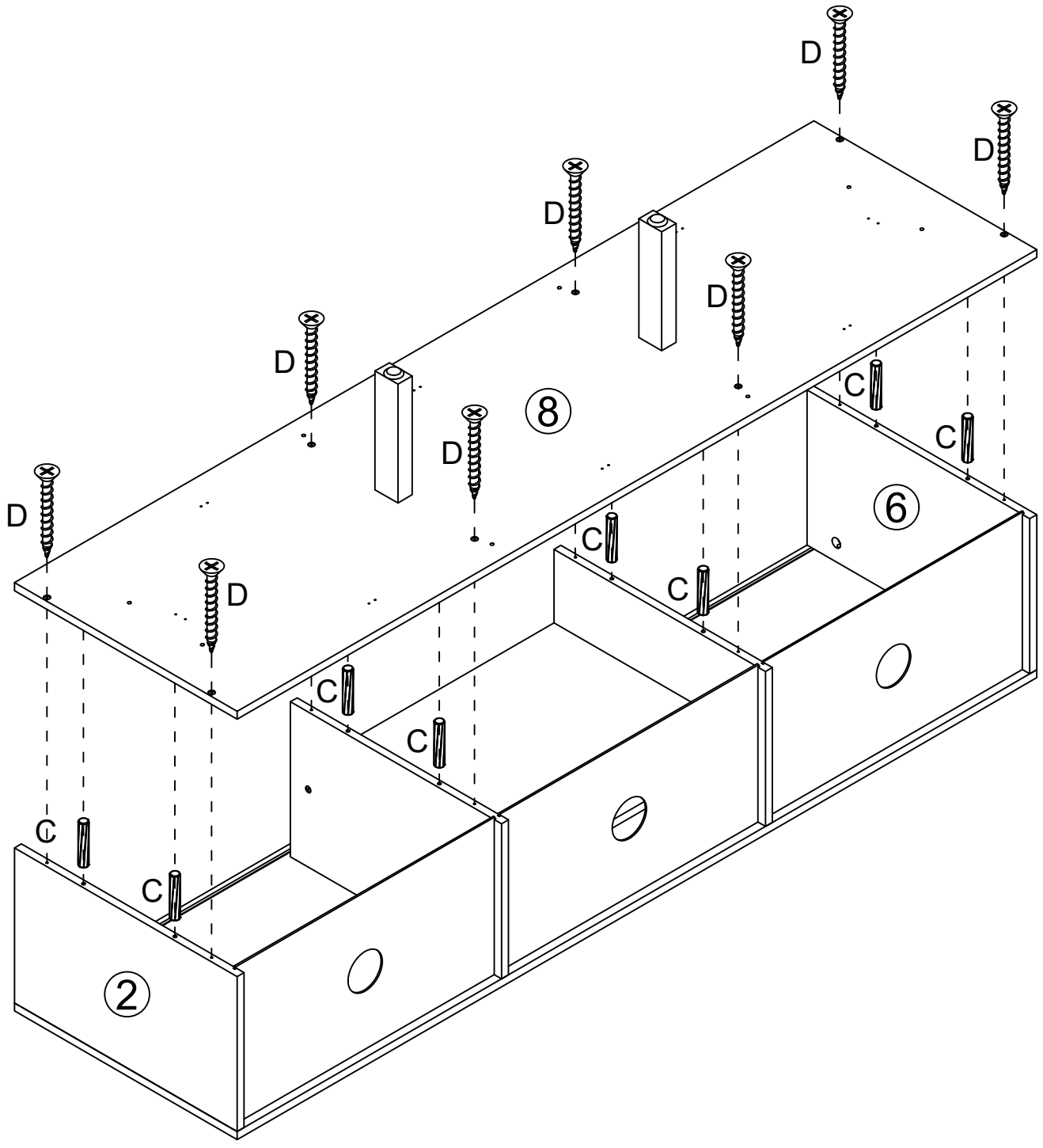


13 x2



C x8  
Ø6x30mm

D x8  
Ø4x35mm



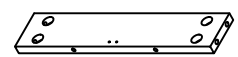
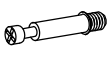
A x8  
Ø6x35mm

B x8  
Ø15x10mm

E x4  
Ø3x12mm

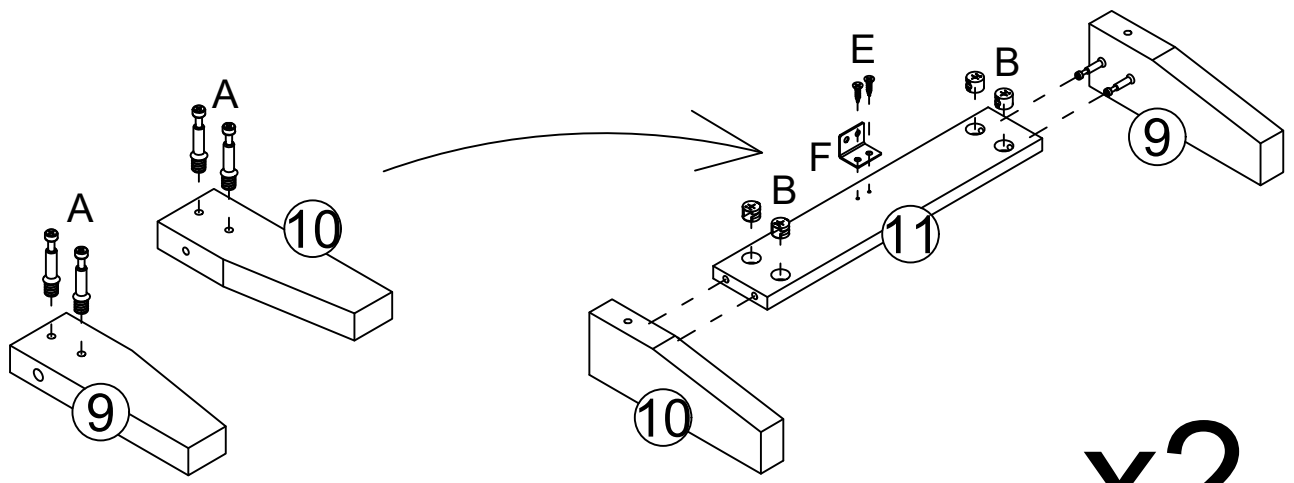
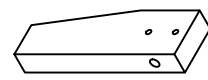
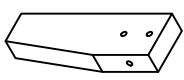
F x2

11 x2



9 x2

10 x2

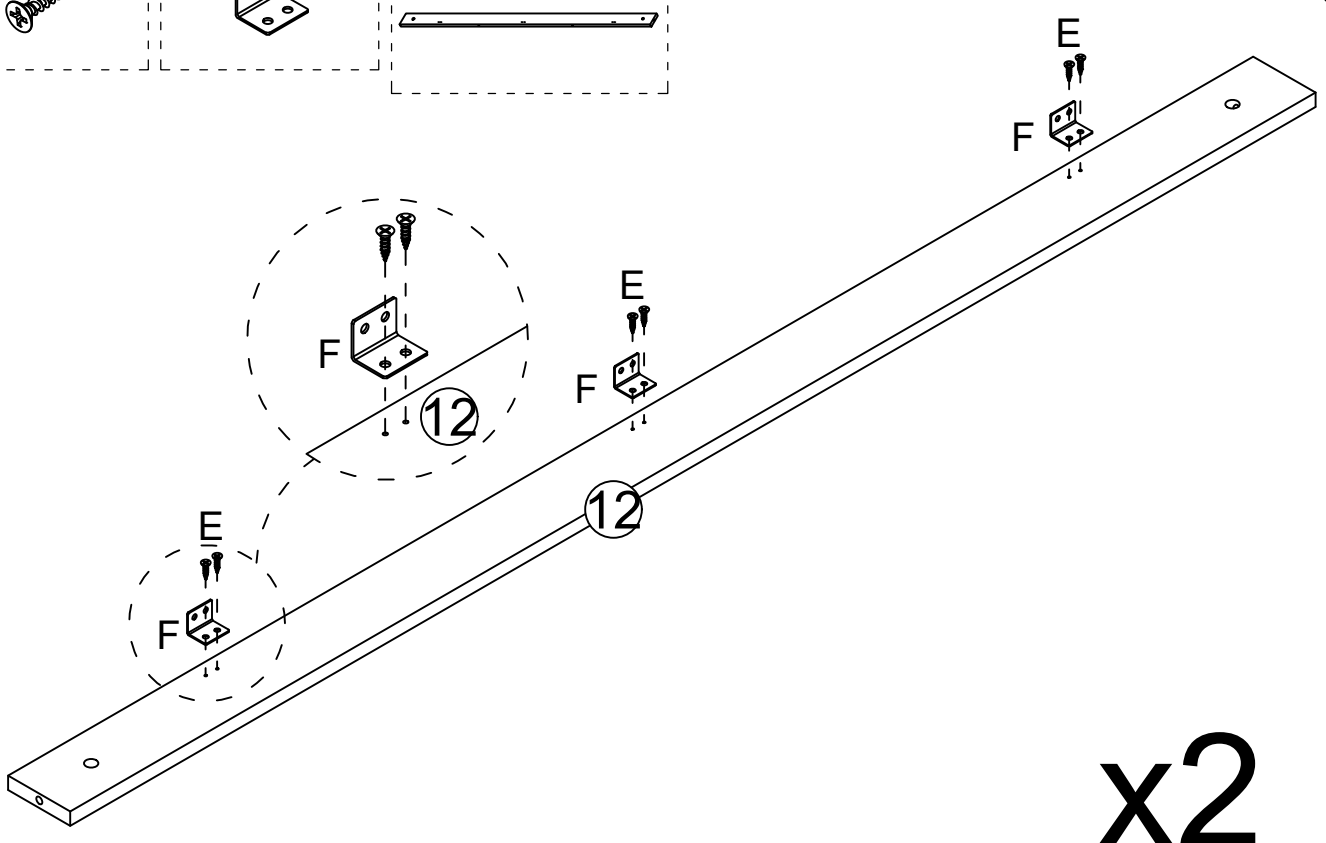
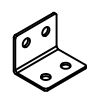


x2

E x12  
Ø3x12mm

F x6

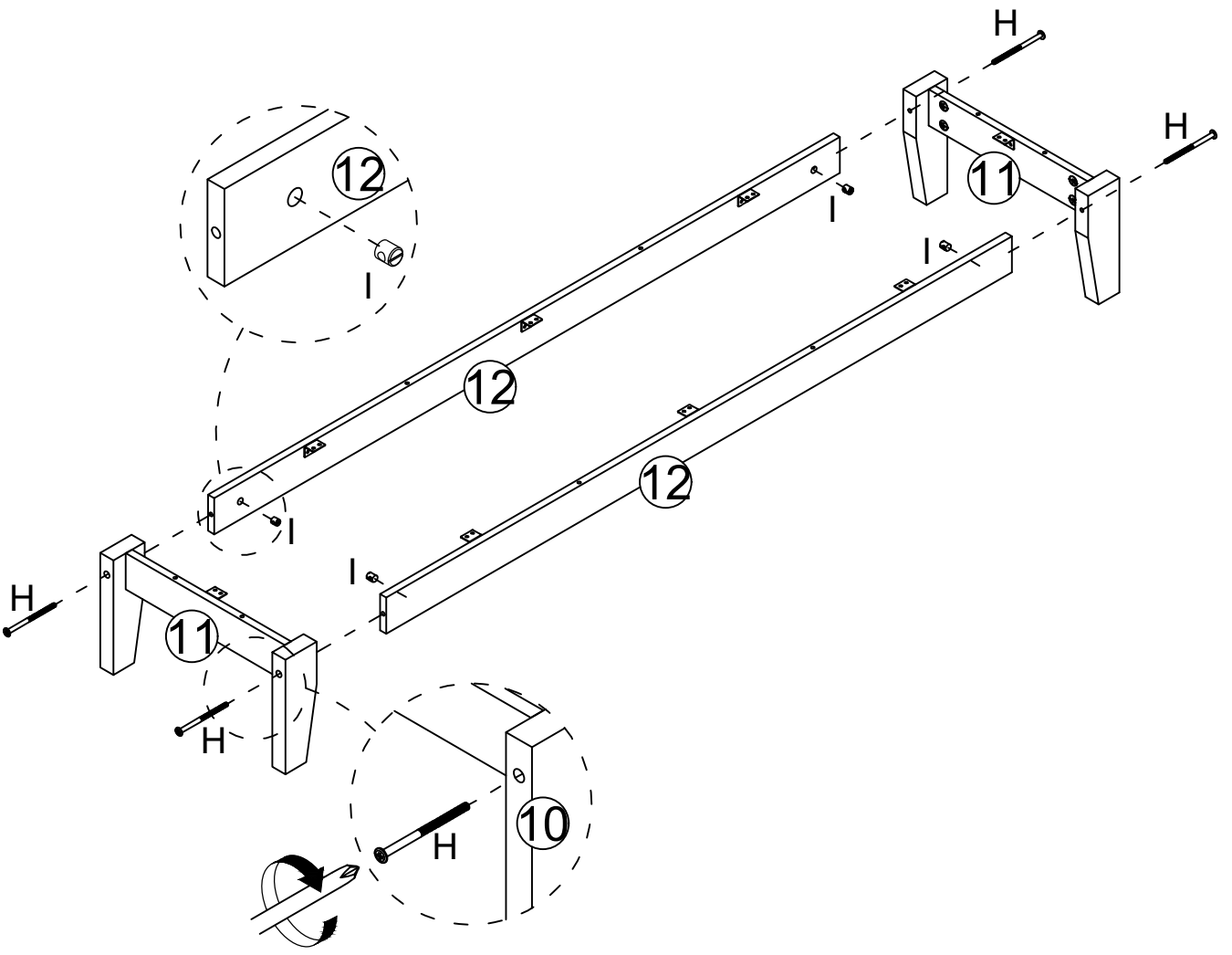
12 x2



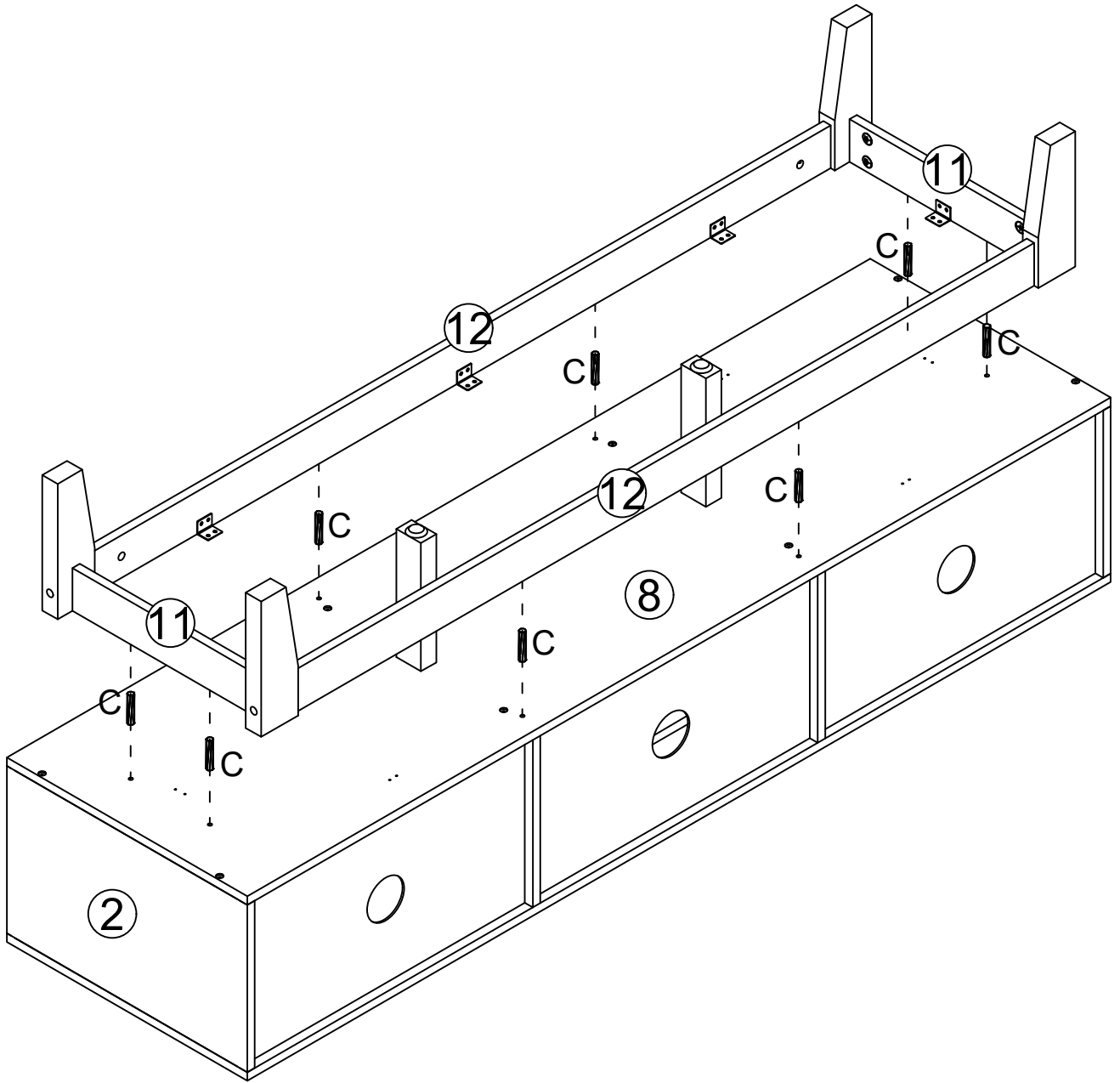
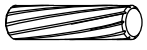
x2

H x4  
Ø6x80mm

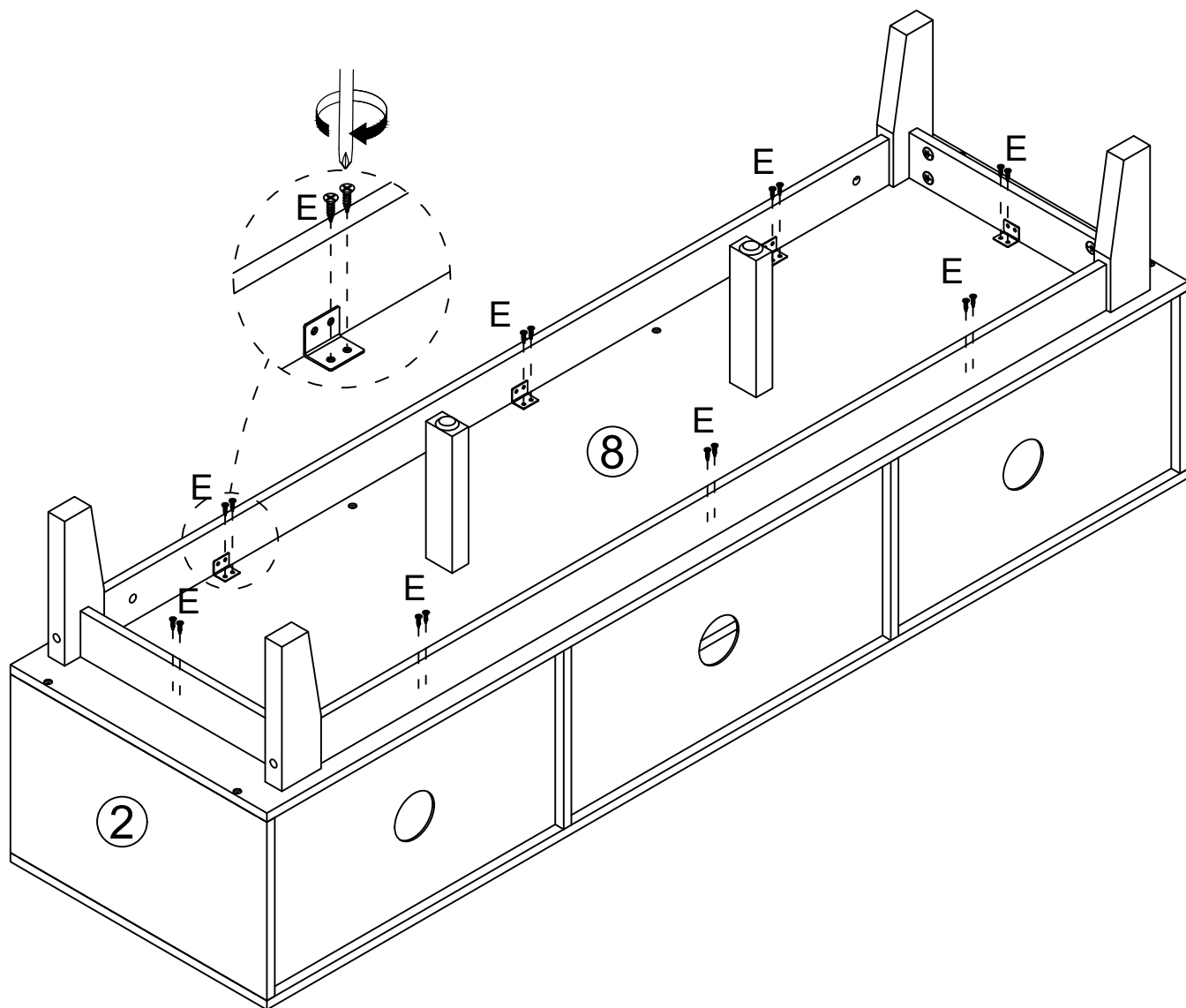
I x4



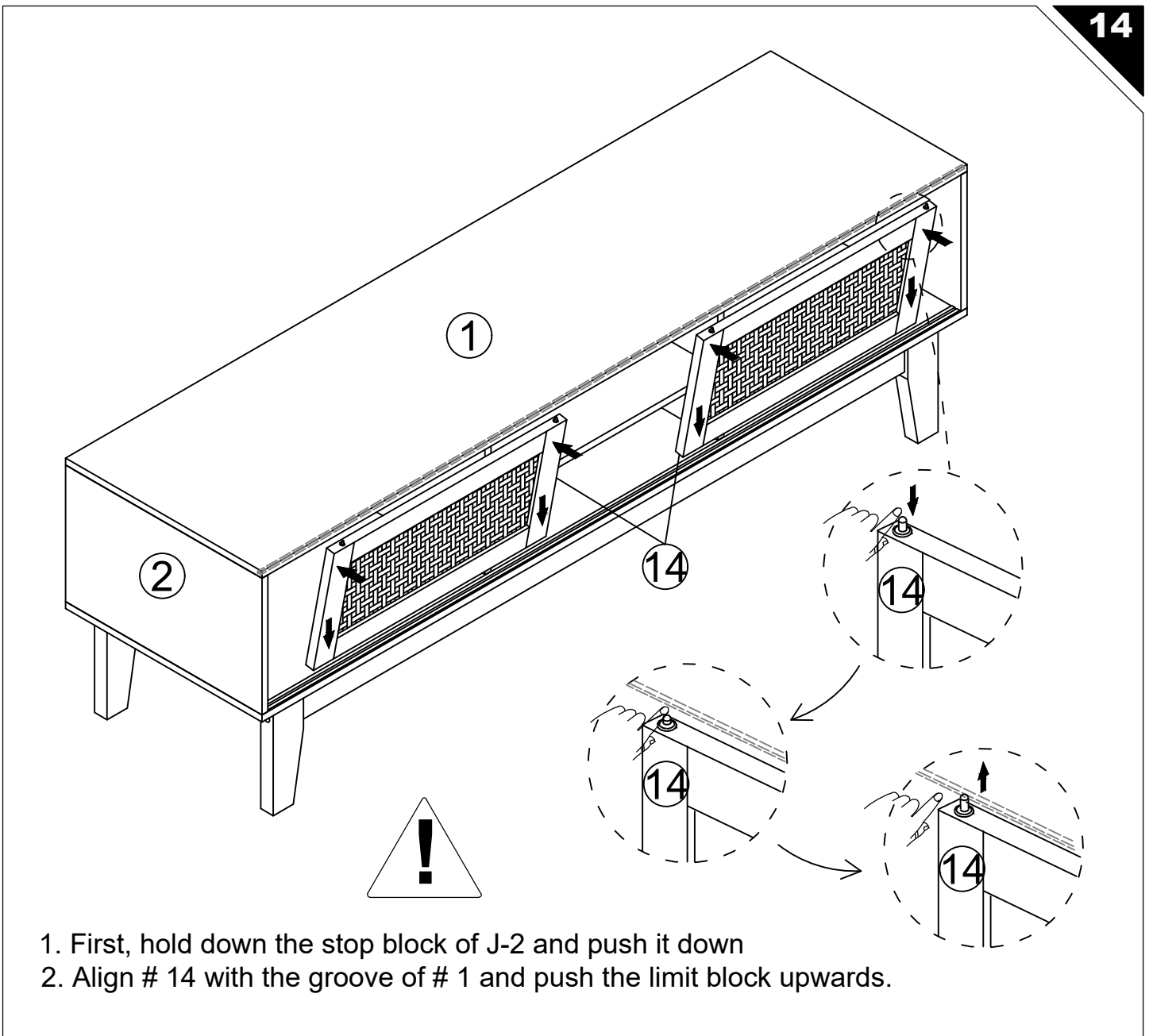
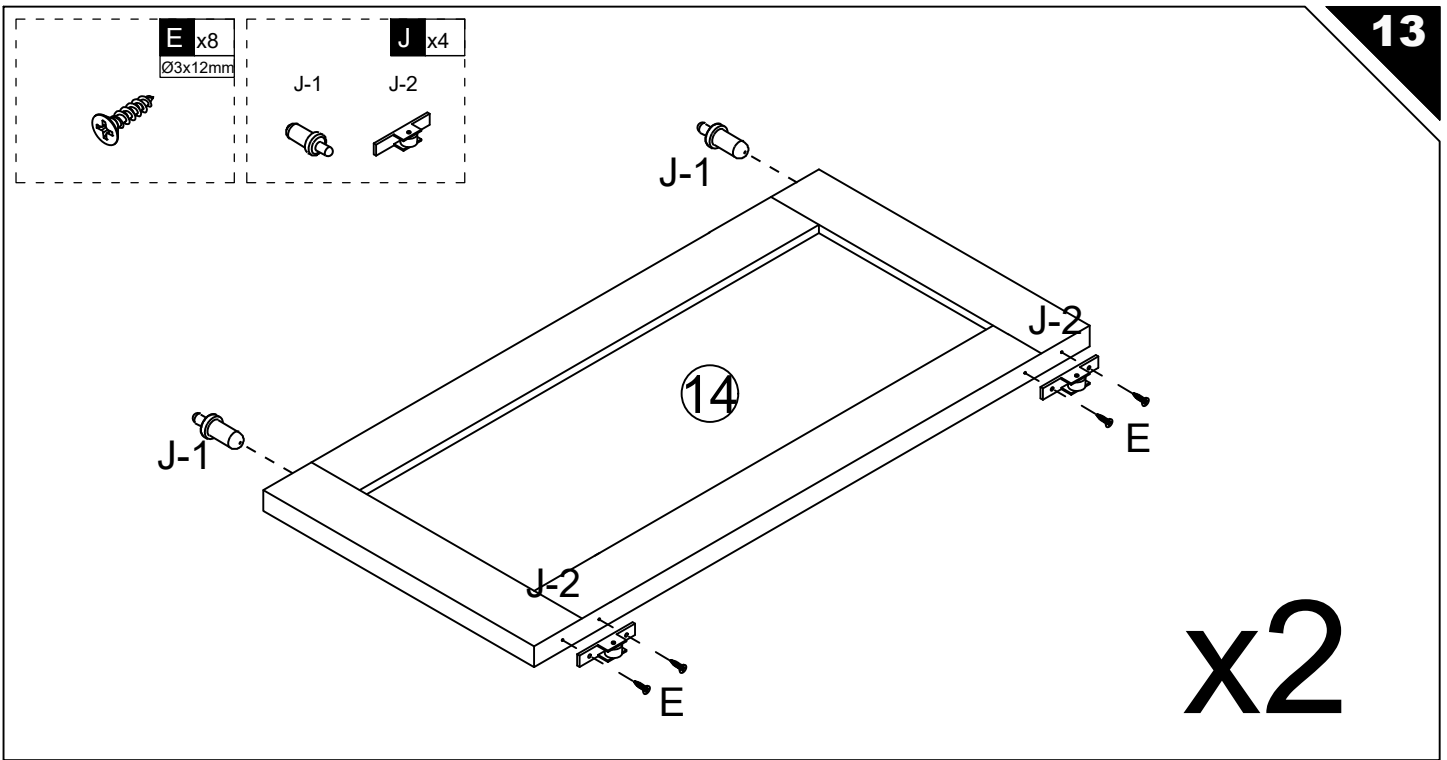
C x8  
Ø6x30mm

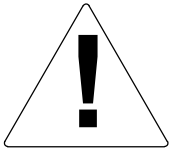
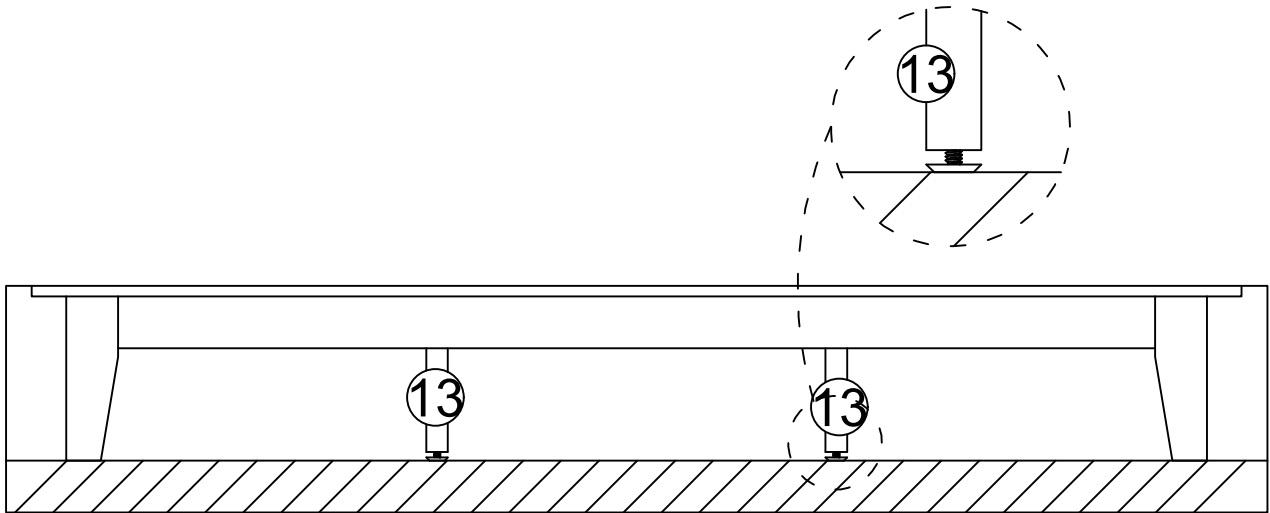


E x16  
Ø3x12mm









If the ground is uneven, we can rotate the adjusting foot of the # 13 board to keep it level with the ground

