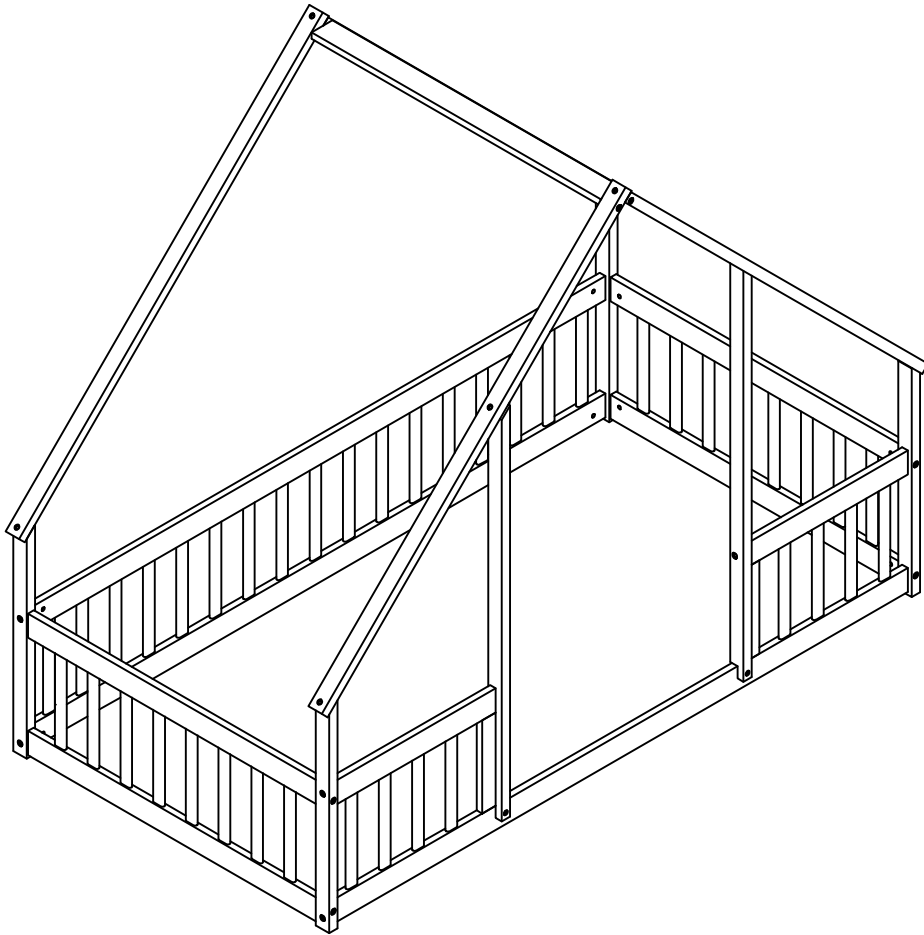
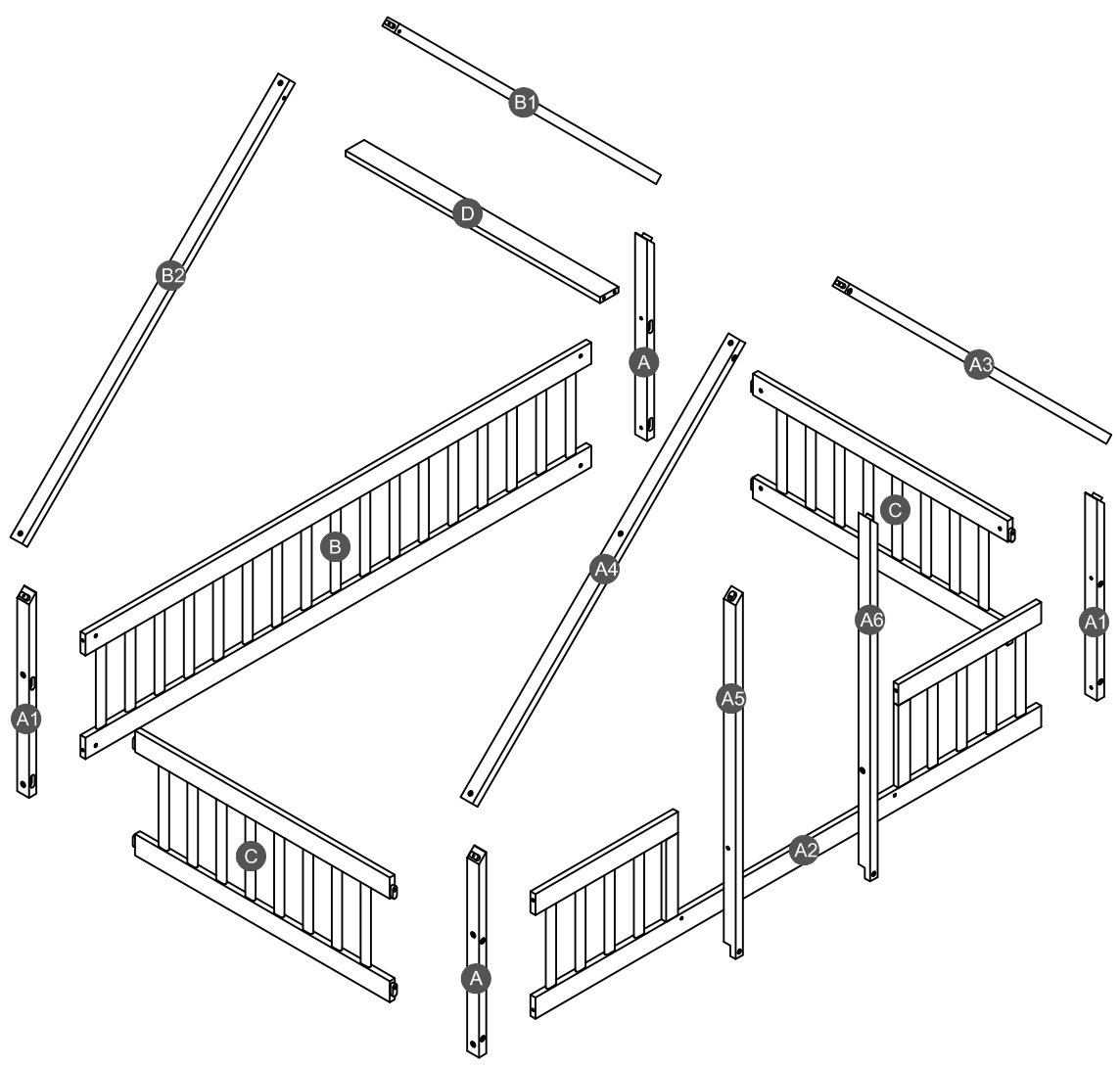


ASSEMBLY INSTRUCTIONS

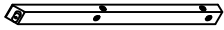
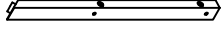

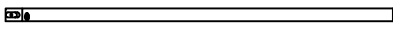
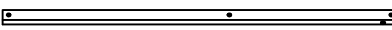
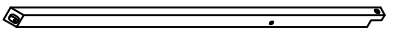
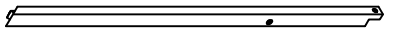
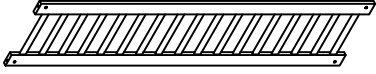
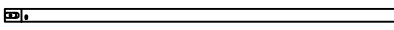
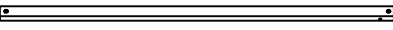
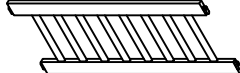
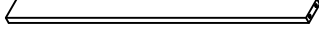
TWIN HOUSE FLOOR BED



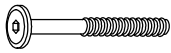
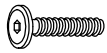


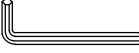
Detail View



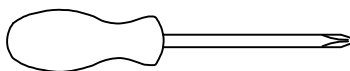
Part List

A  Leg (Left Front/Right Back) - 2pcs	A1  Leg (Left Back/Right Front) - 2pcs	A2  Guard rail (Front) - 1pc
A3  Horizontal bar (Right Front) - 1pc	A4  Horizontal bar (Left Front) - 1pc	A5  Vertical bar (Left Front) - 1pc
A6  Vertical bar (Right Front) - 1pc	B  Guard rail (Back) - 1pc	B1  Horizontal bar (Right Back) - 1pc
B2  Horizontal bar (Left Back) - 1pc	C  Guard rail HB/FB - 2pcs	D  Upper horizontal bar - 1pc

Hardware List

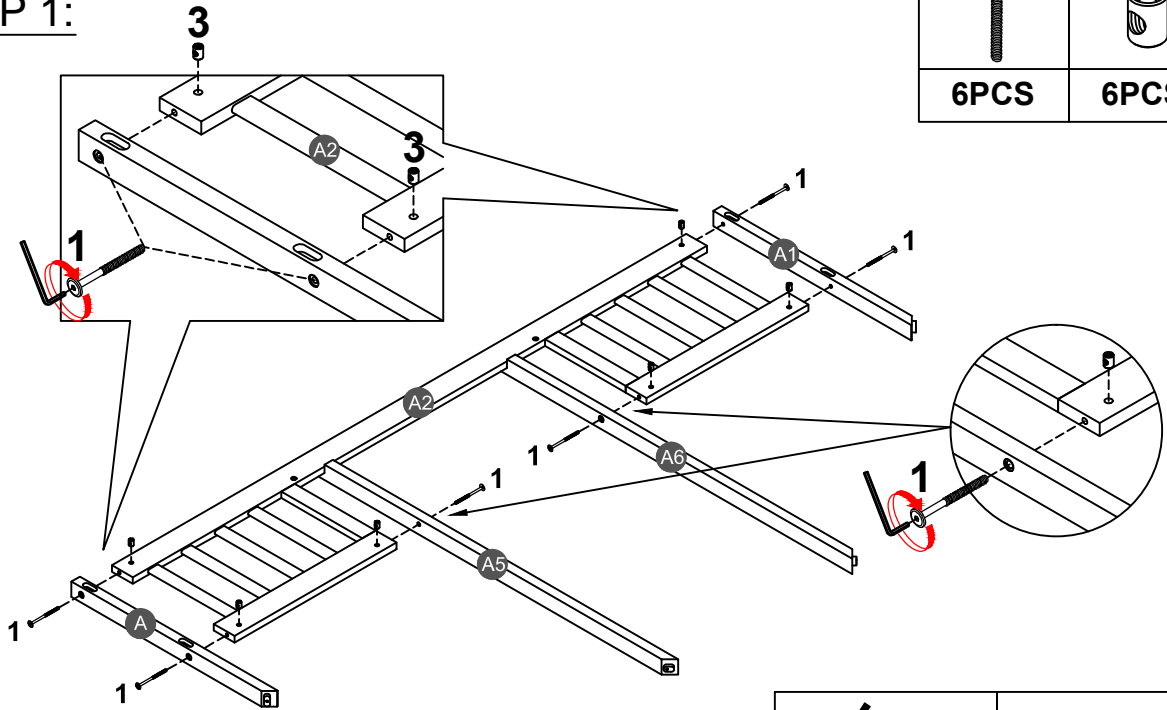
1  (Ø15)1/4"*80mm Hex-Head bolts (22pcs)	2  (Ø12)1/4"*35mm Hex-Head bolts (2pcs)	3  1/4"*15 (9.5mm) Horizontal-Hole bolts(22pcs)
4  (Ø12)1/4"*40mm Hex-Head bolts (8pcs)	5  (1/4")4.5*58mm Allen key (1pc)	

ASSEMBLY TOOLS REQUIRED (NOT INCLUDED)



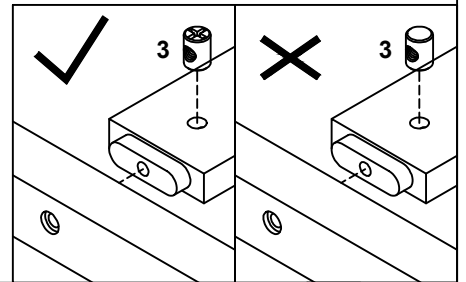
PLEASE BE CAREFUL DO NOT DAMAGE THE HOLE POSITION WHEN YOU USE POWER TOOLS !

STEP 1:

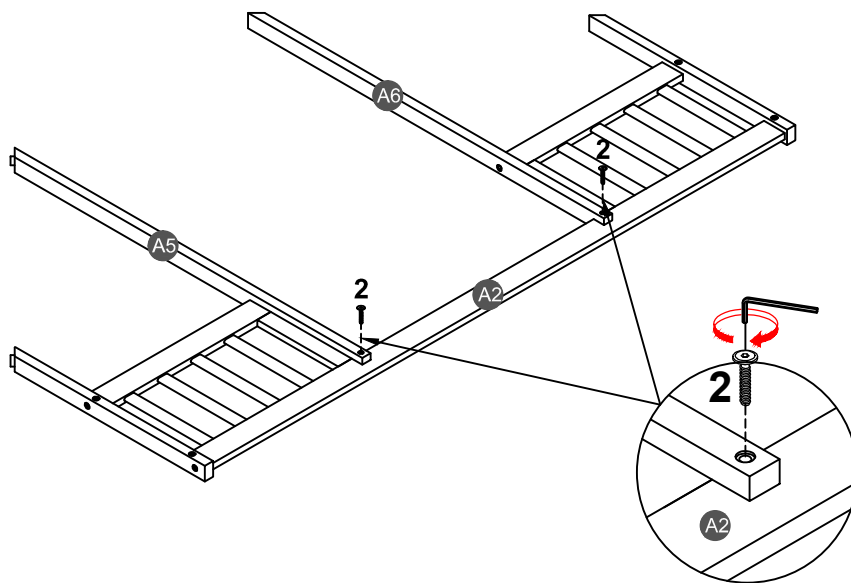


1		3	
6PCS		6PCS	

Note: Part 3 will face up with the "x" mark on it, otherwise it cannot be tightened




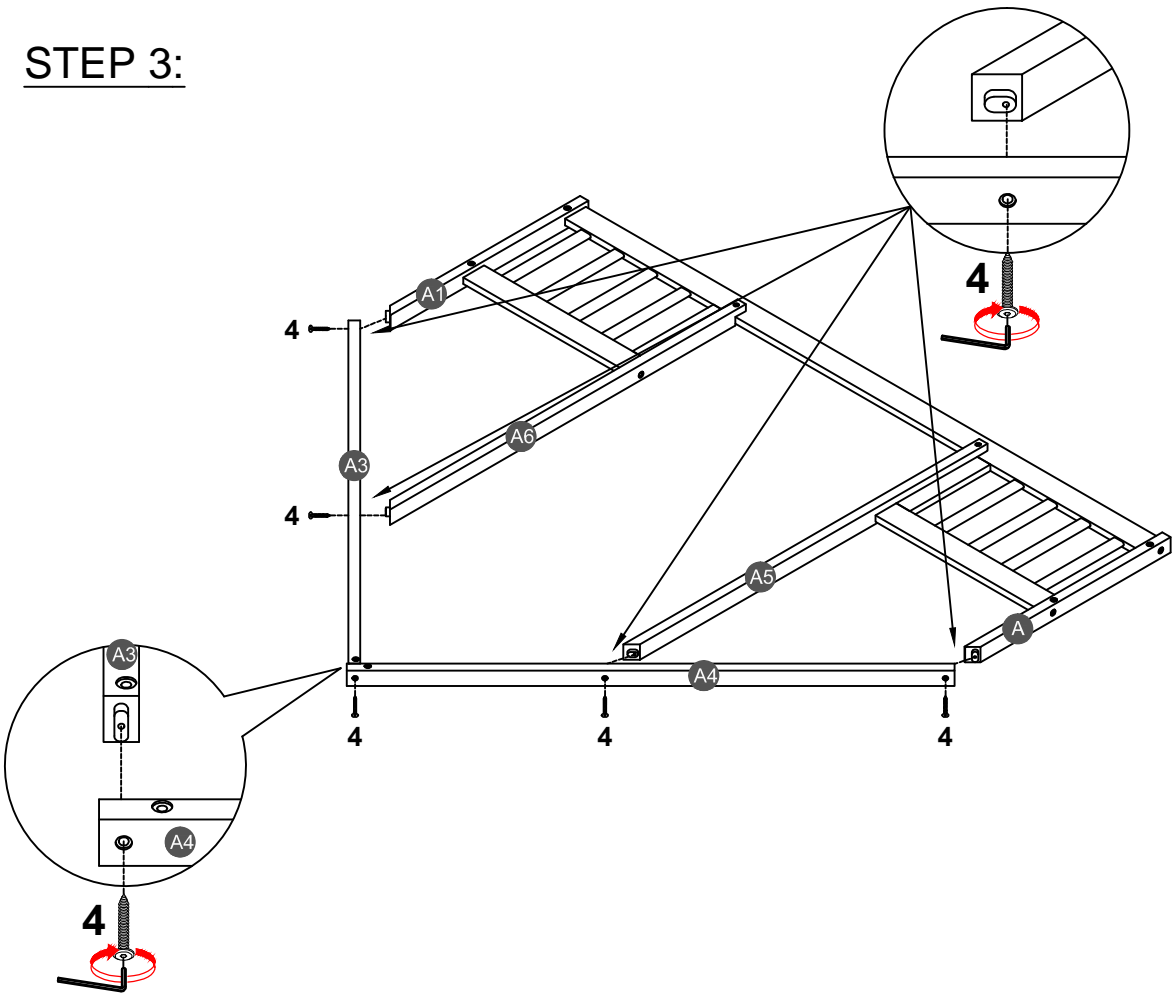
STEP 2:





2	
2PCS	

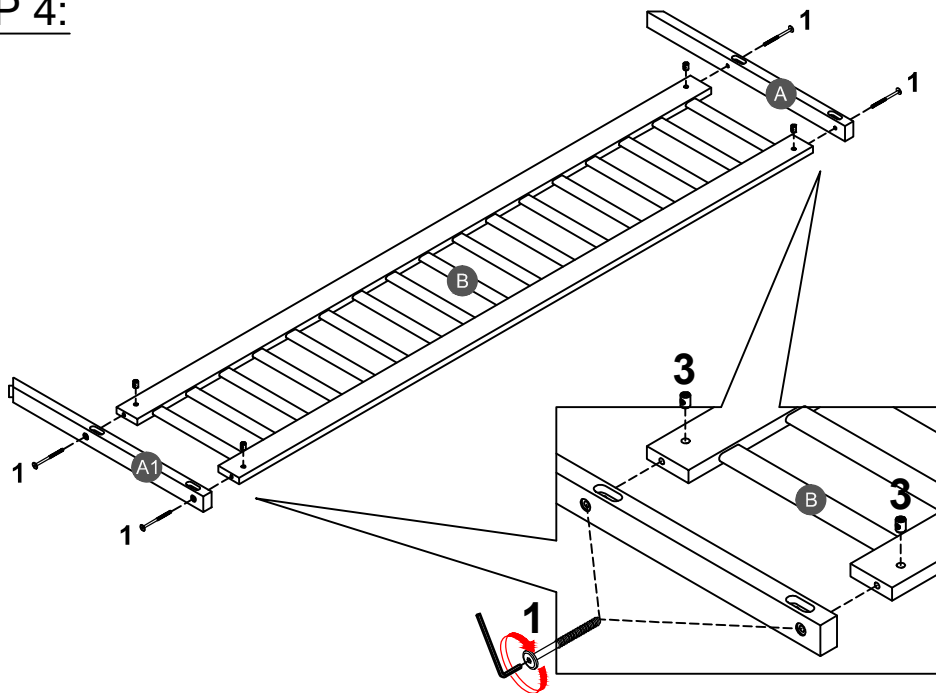
STEP 3:

- 4 
5PCS

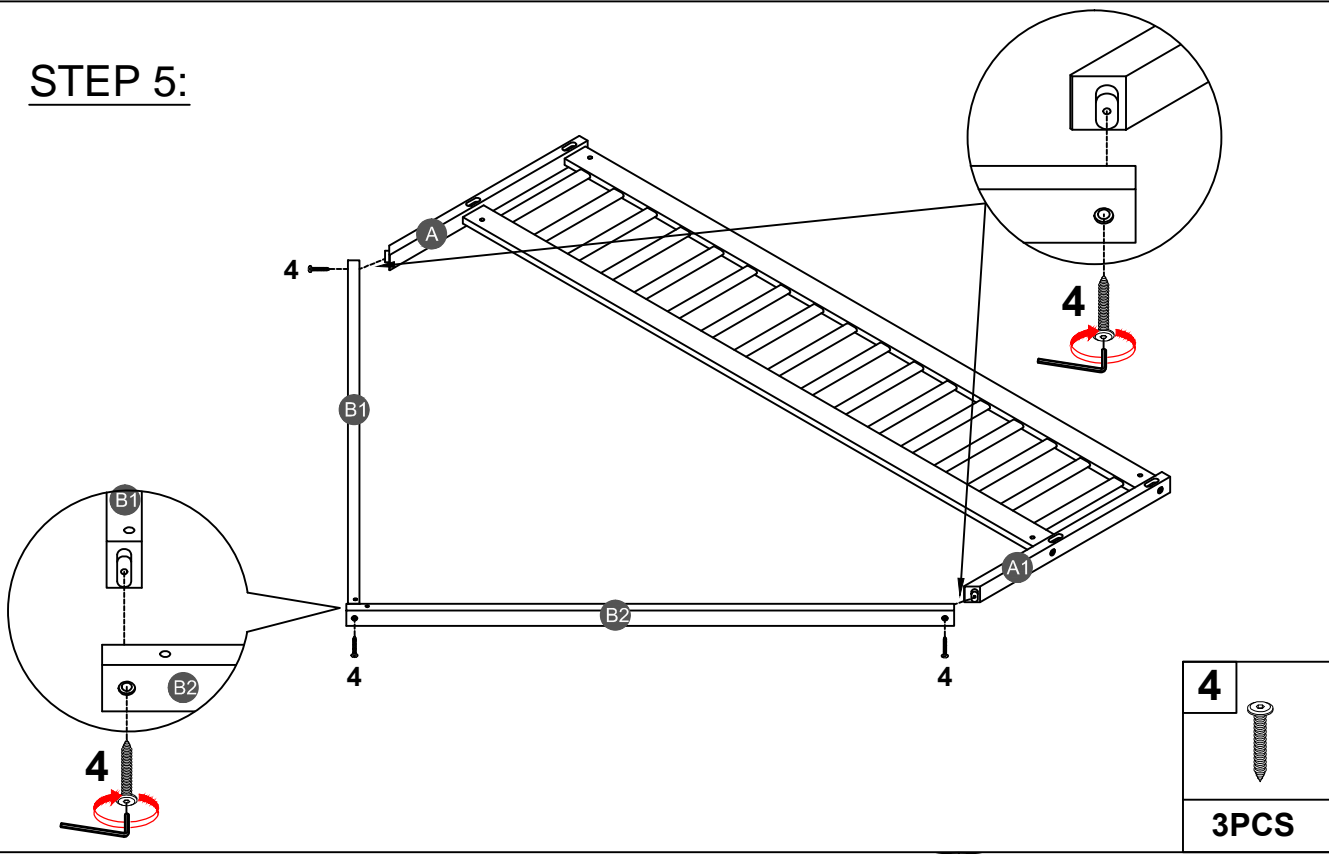


STEP 4:

- 1 
4PCS
- 3 
4PCS



STEP 5:



STEP 6:

