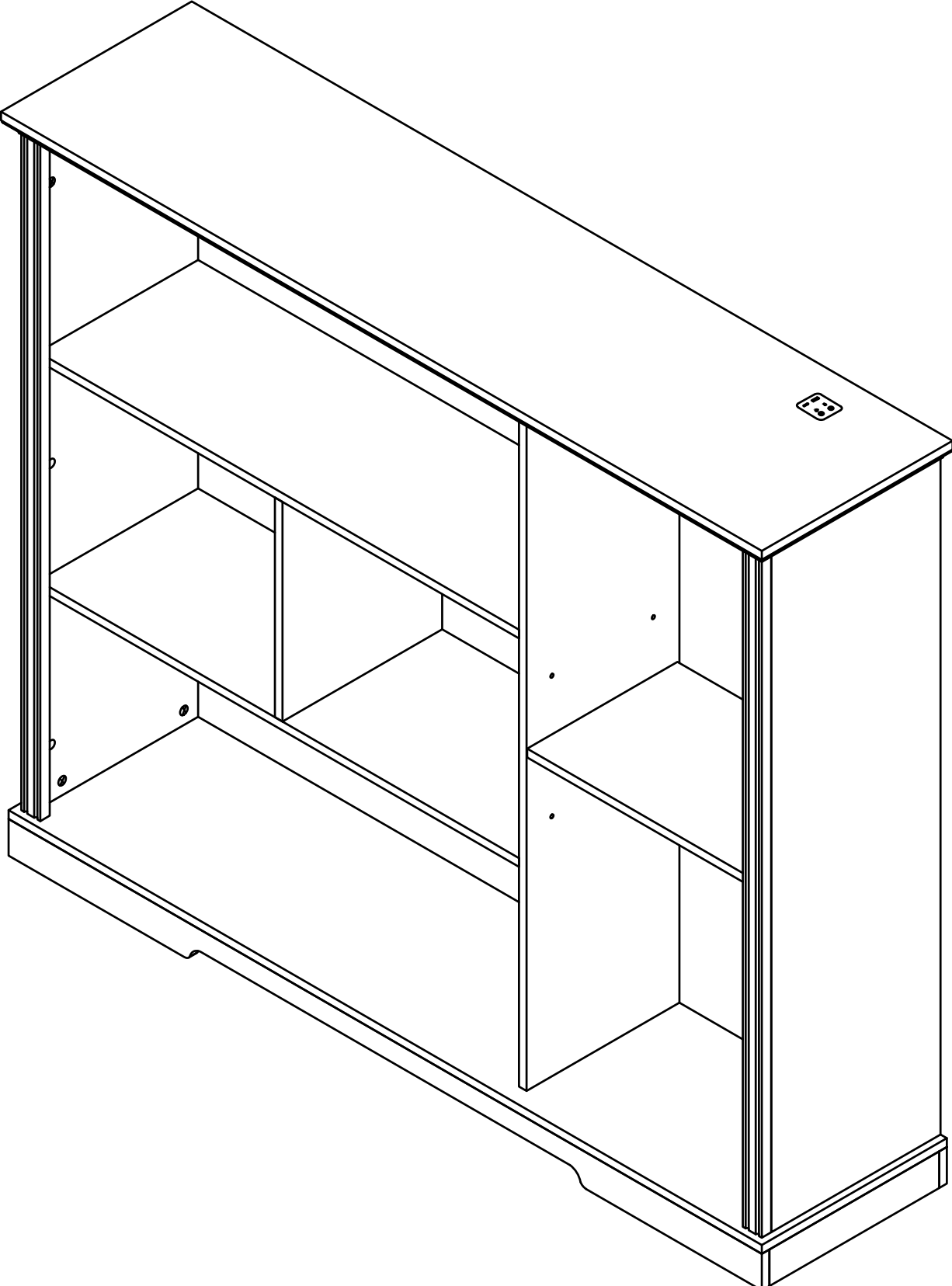
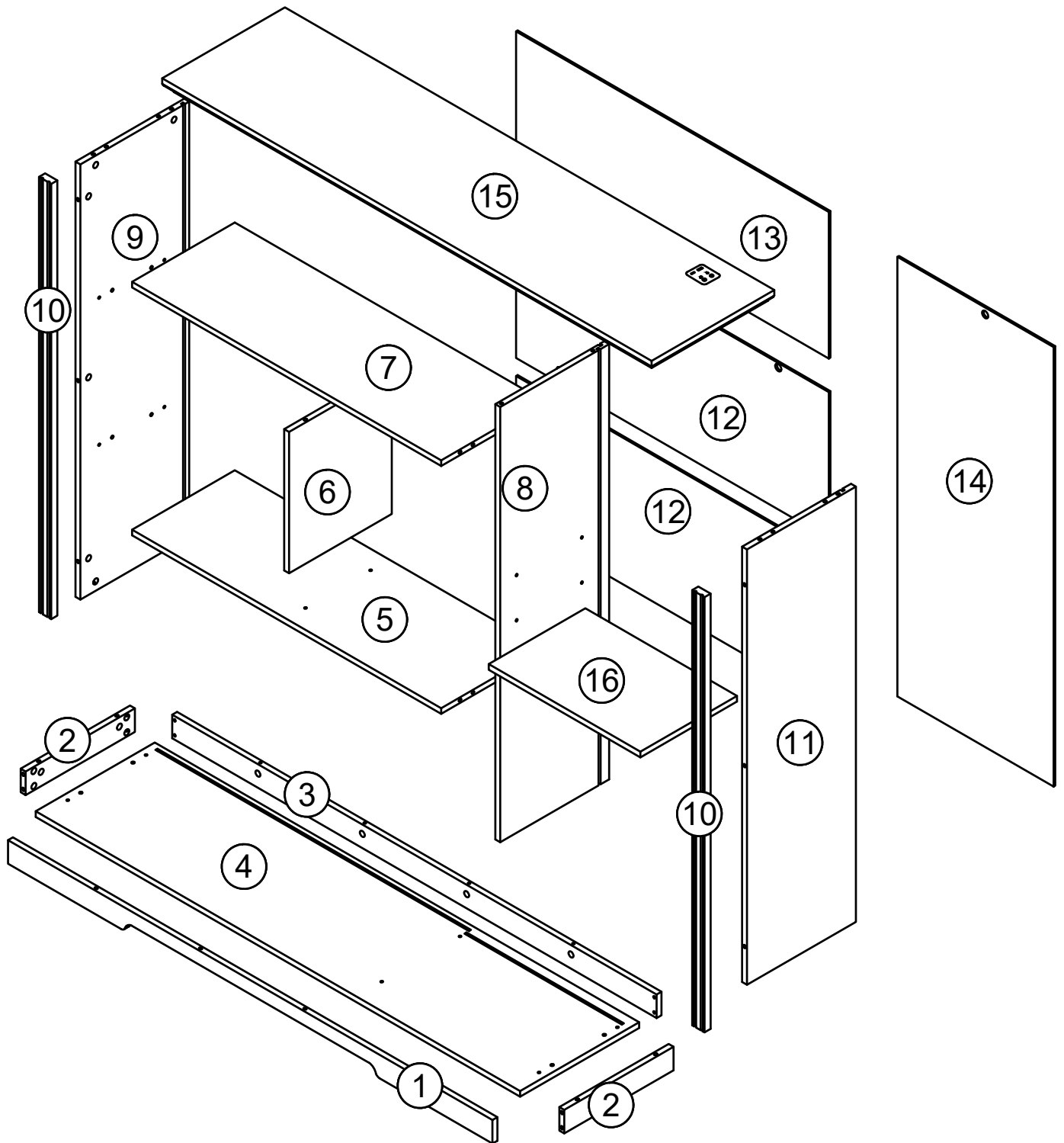
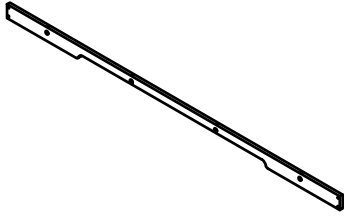


# Product Installation Instructions

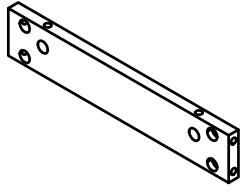


# Product structure decomposition

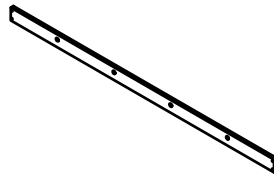




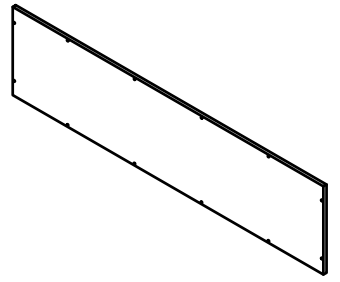
1x1



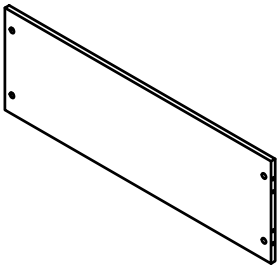
2x2



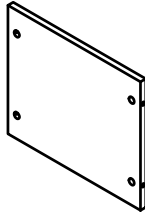
3x1



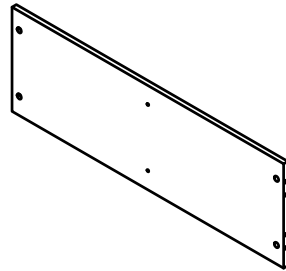
4x1



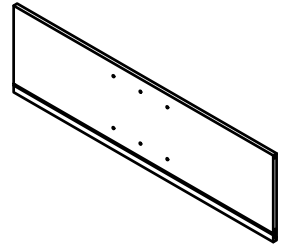
5x1



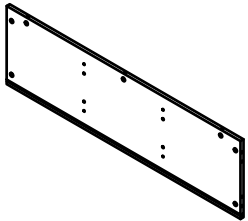
6x1



7x1



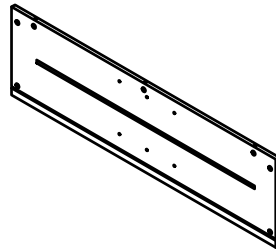
8x1



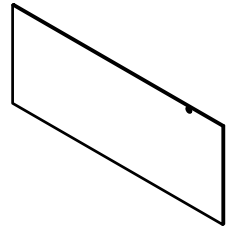
9x1



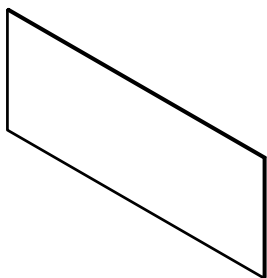
10x2



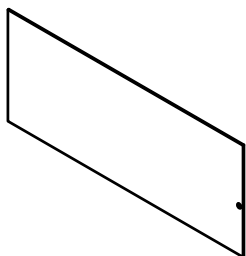
11x1



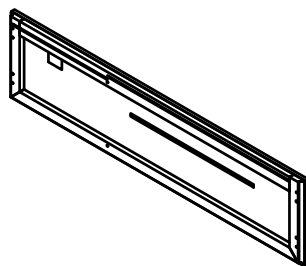
12x2



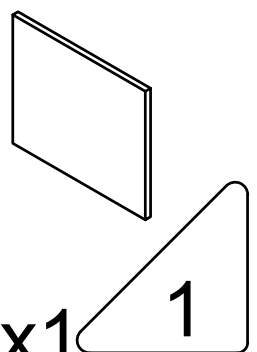
13x1



14x1



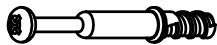

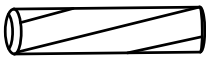
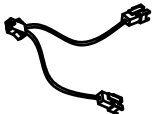



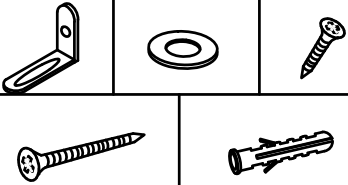
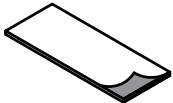
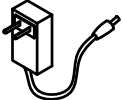
15x1

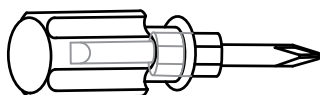


16x1

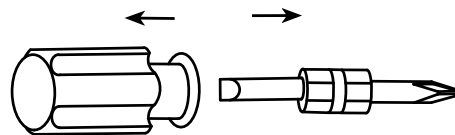
1

# Accessories list

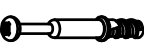

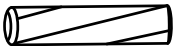






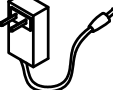
A		Two In One Screw (6x28mm)	46pcs +4pcs
B		Two In One Nut (10x12mm)	46pcs +4pcs
C		Wood Chipping (6x30mm)	16pcs +2pcs
D		1 bis 2 power extension cable	2pcs
E		Fixing clip & screw (3x16mm)	18pcs +2pcs
F		Foot nail	4pcs +2pcs
G		Laminate support nail	4pcs +2pcs
H		Anti fall hardware	2pcs
I		Non-slip pads	6pcs +2pcs
/		AC/DC Adapter (12V=3.0A)	1pcs

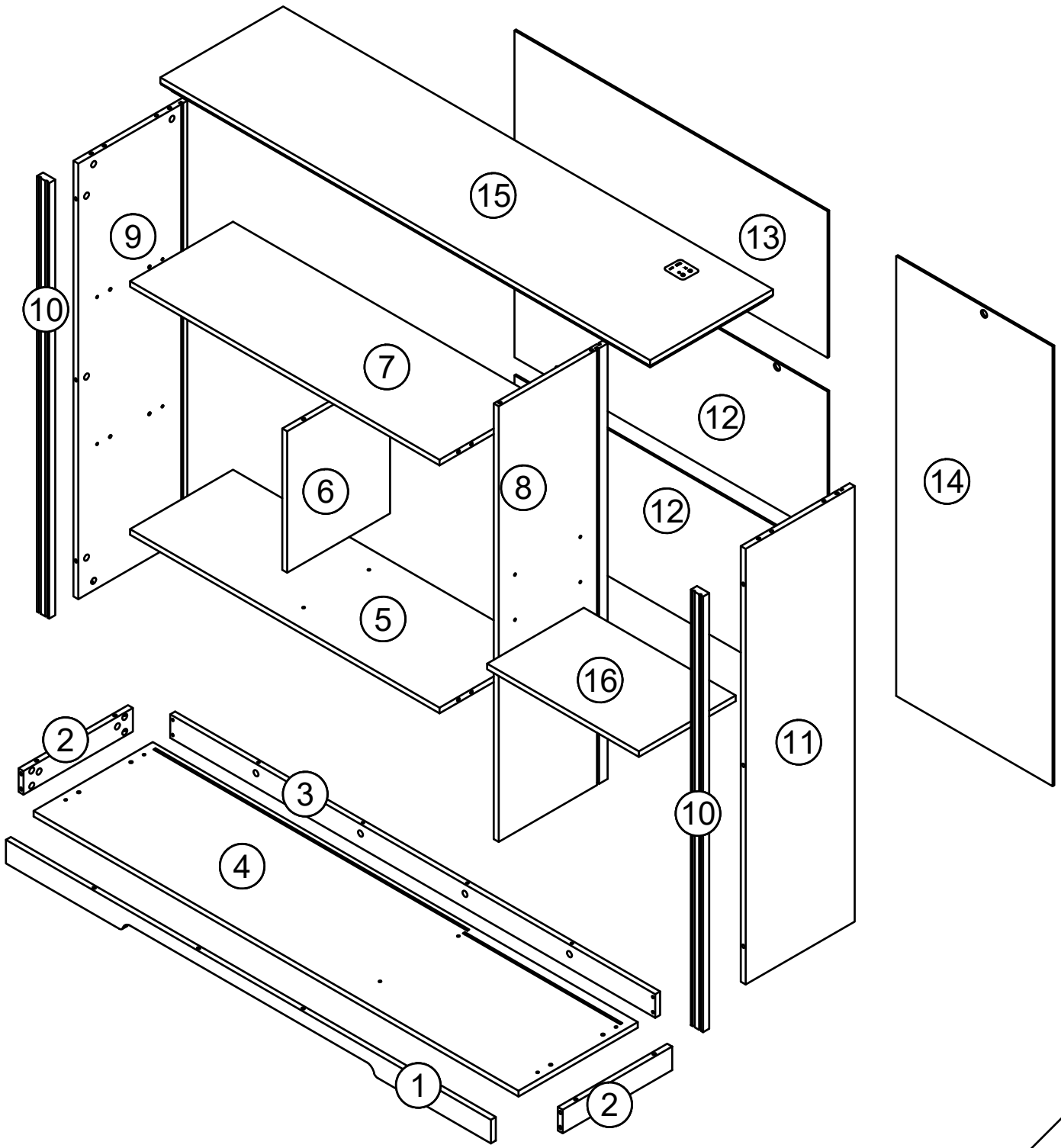


1pcs



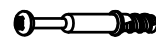
Double-head screwdriver, use as required

A		46 pcs	B		46 pcs	C		16 pcs
D		2 pcs	E		18 pcs	F		4 pcs
G		4 pcs	H		2 pcs	I		6 pcs
		1 pcs						

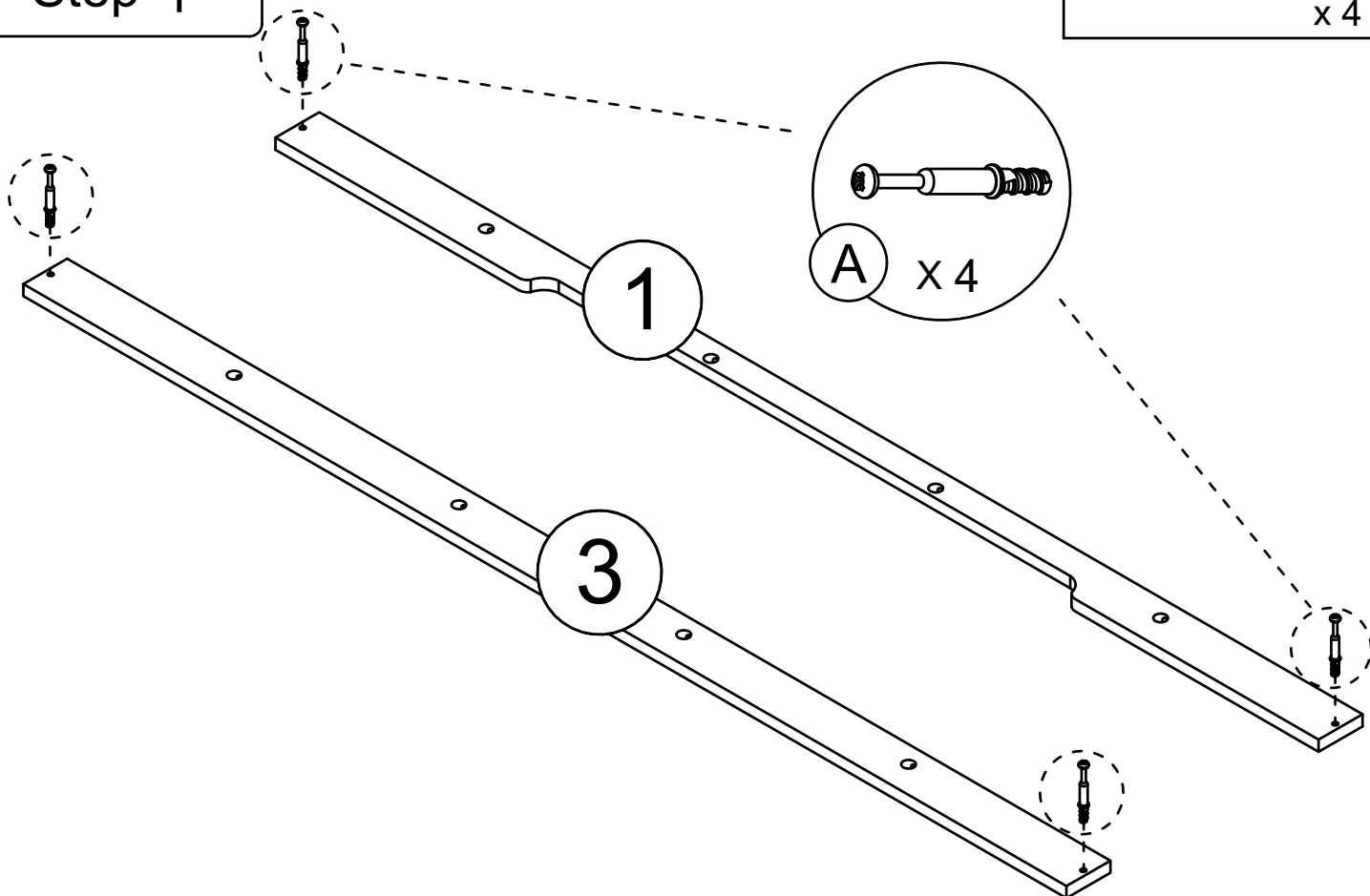


Step 1

(A)



x 4

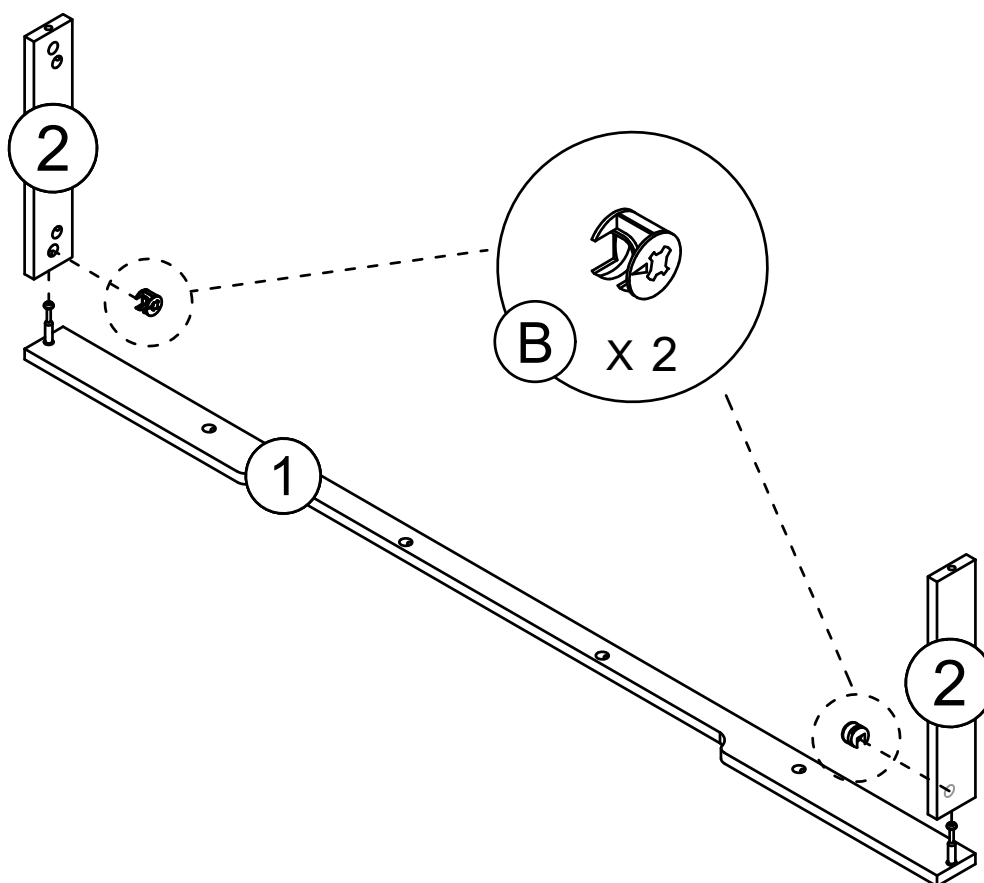


Step 2

(B)

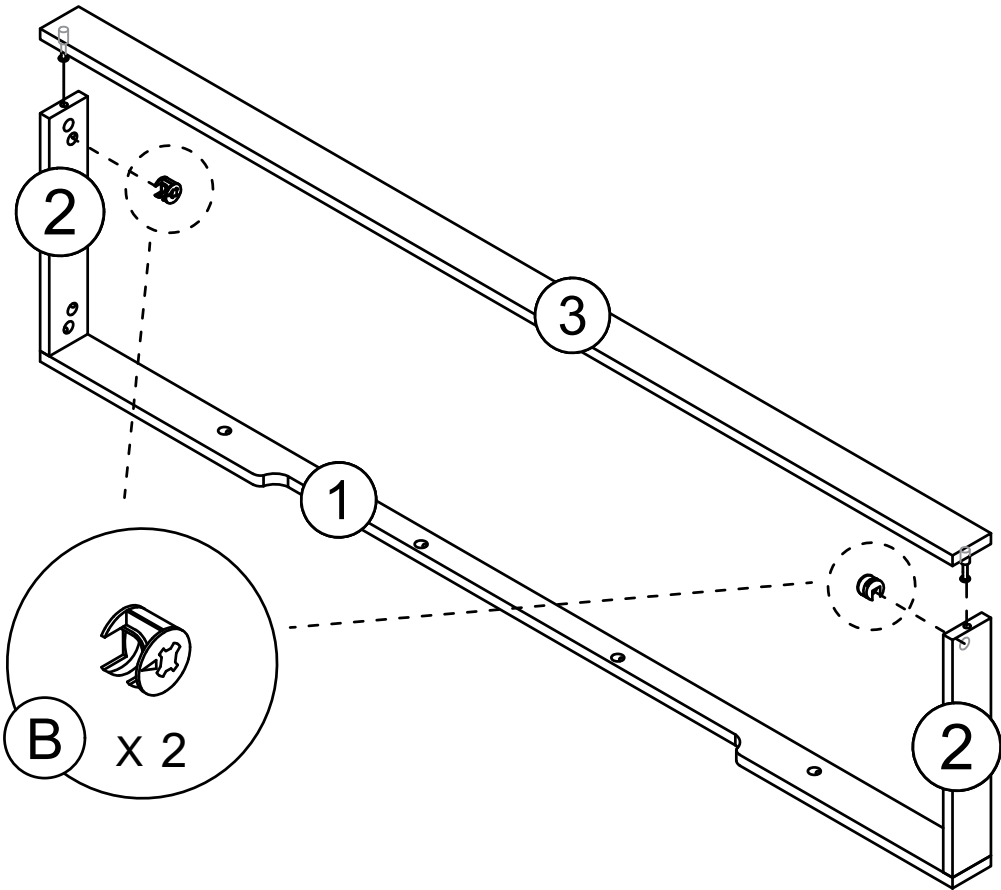


x 2

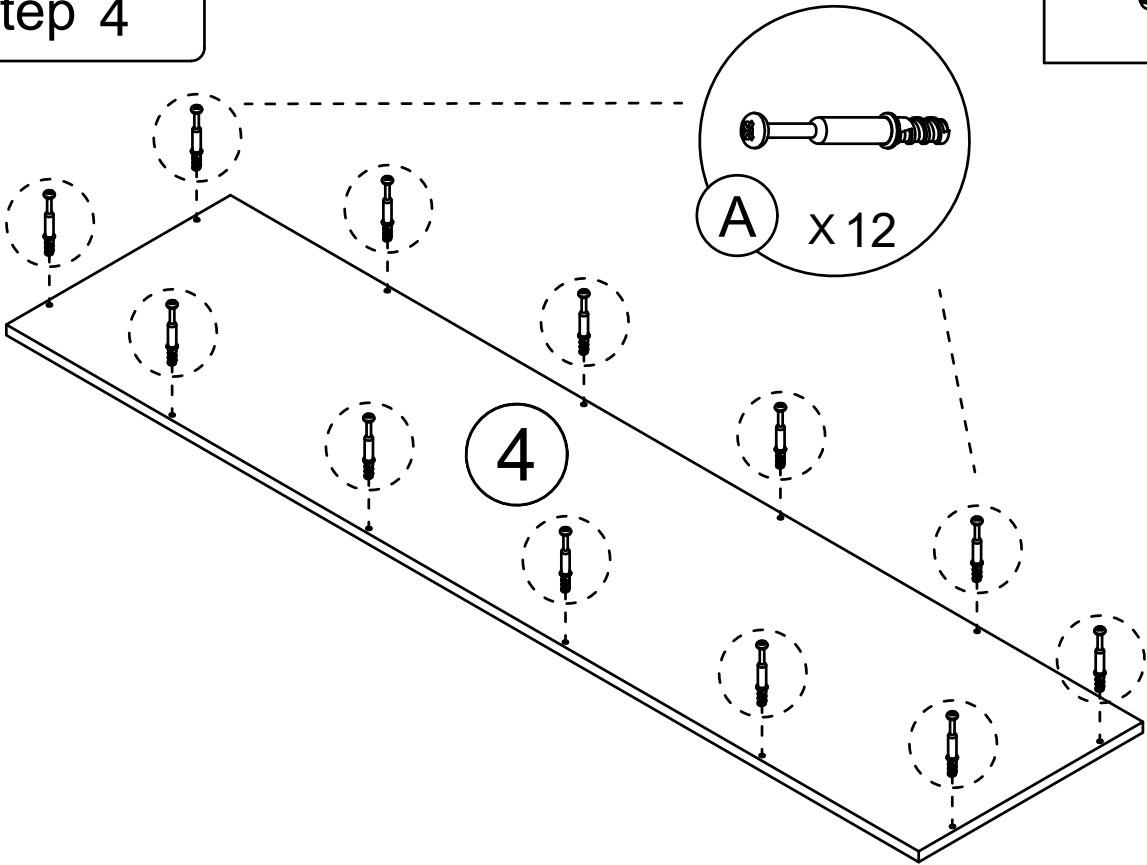
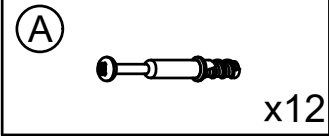


4

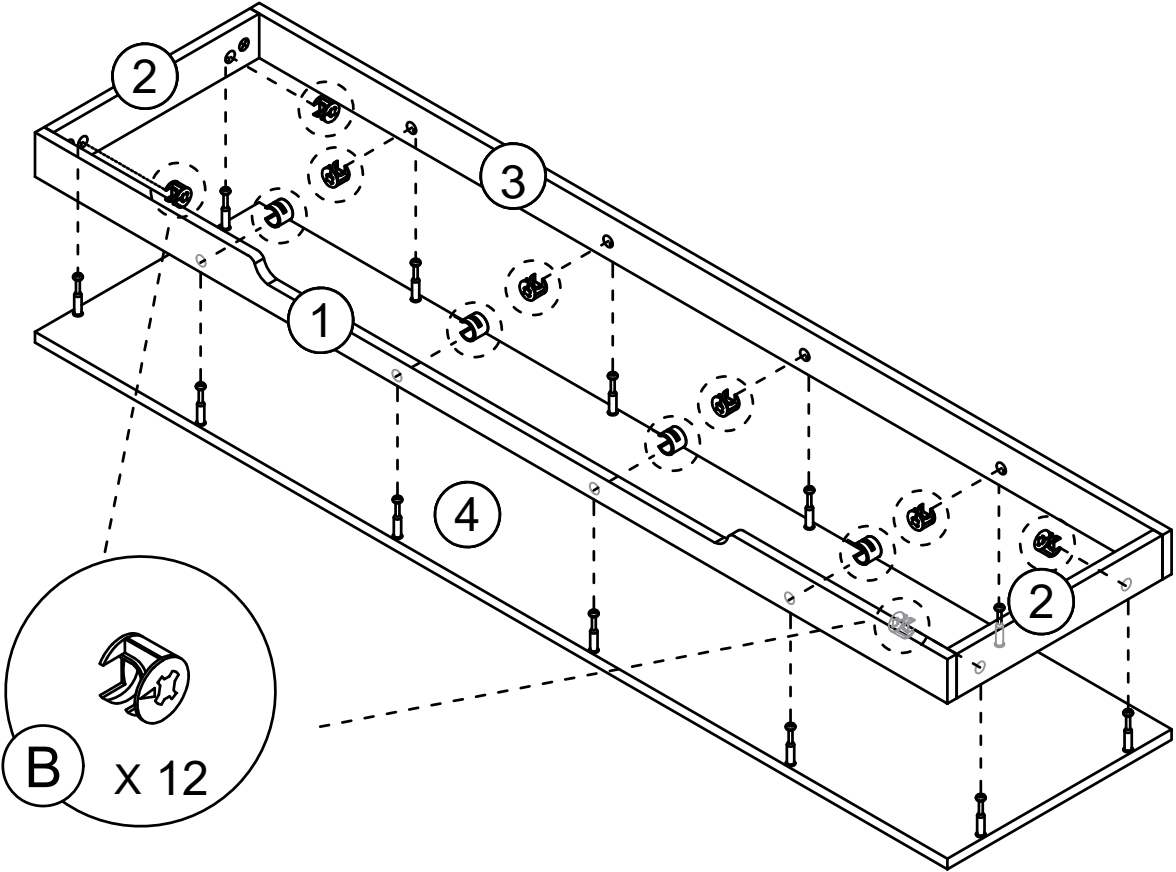
Step 3



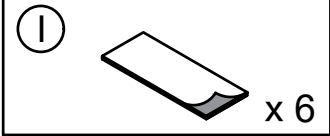
Step 4



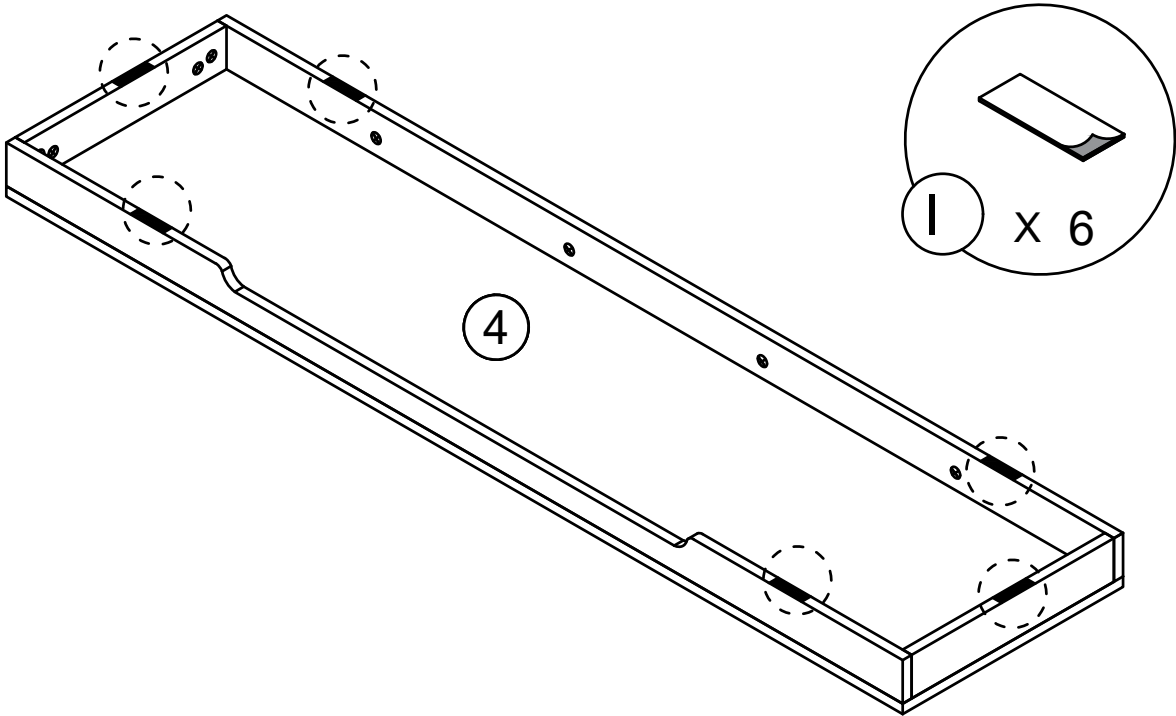
# Step 5



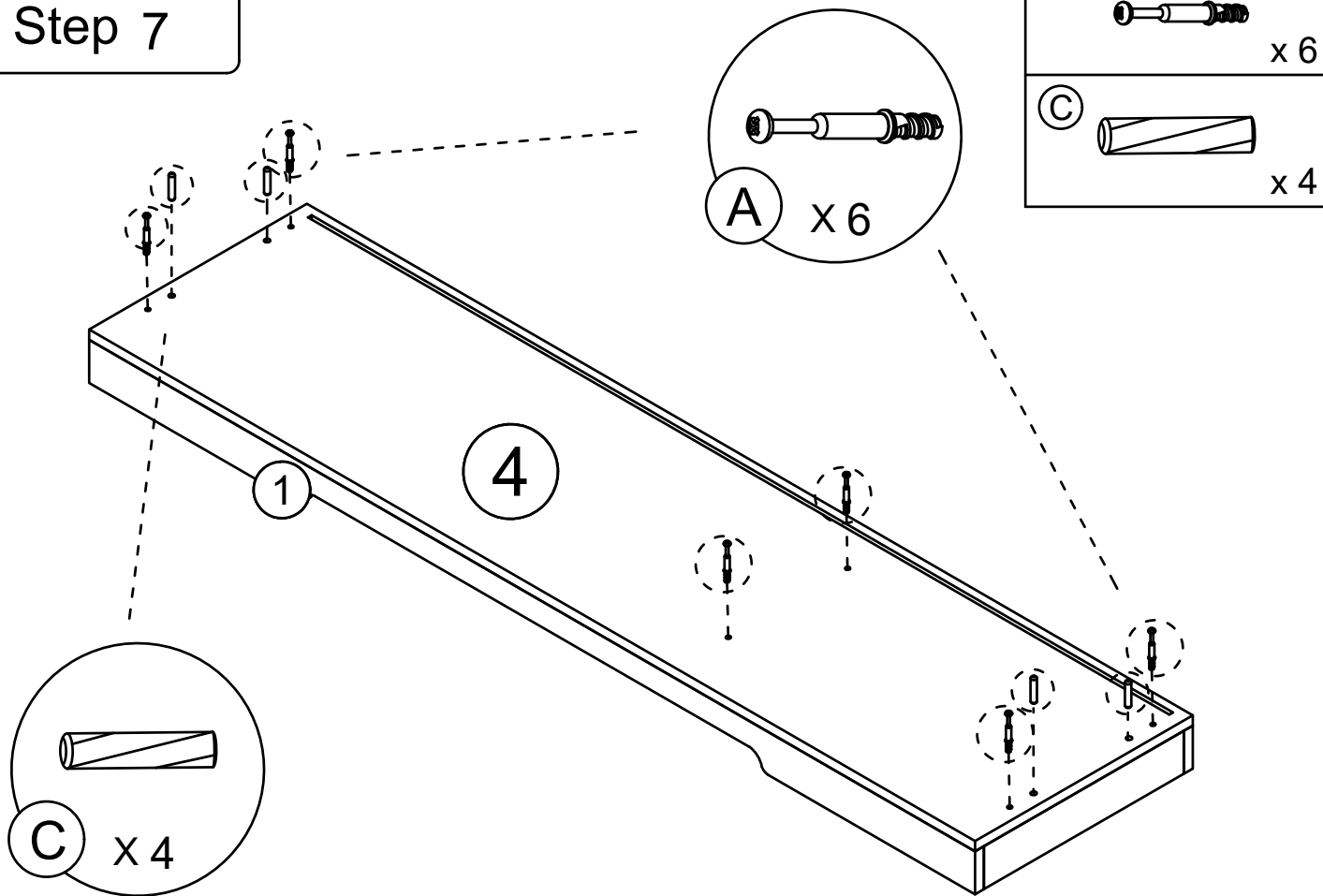
# Step 6



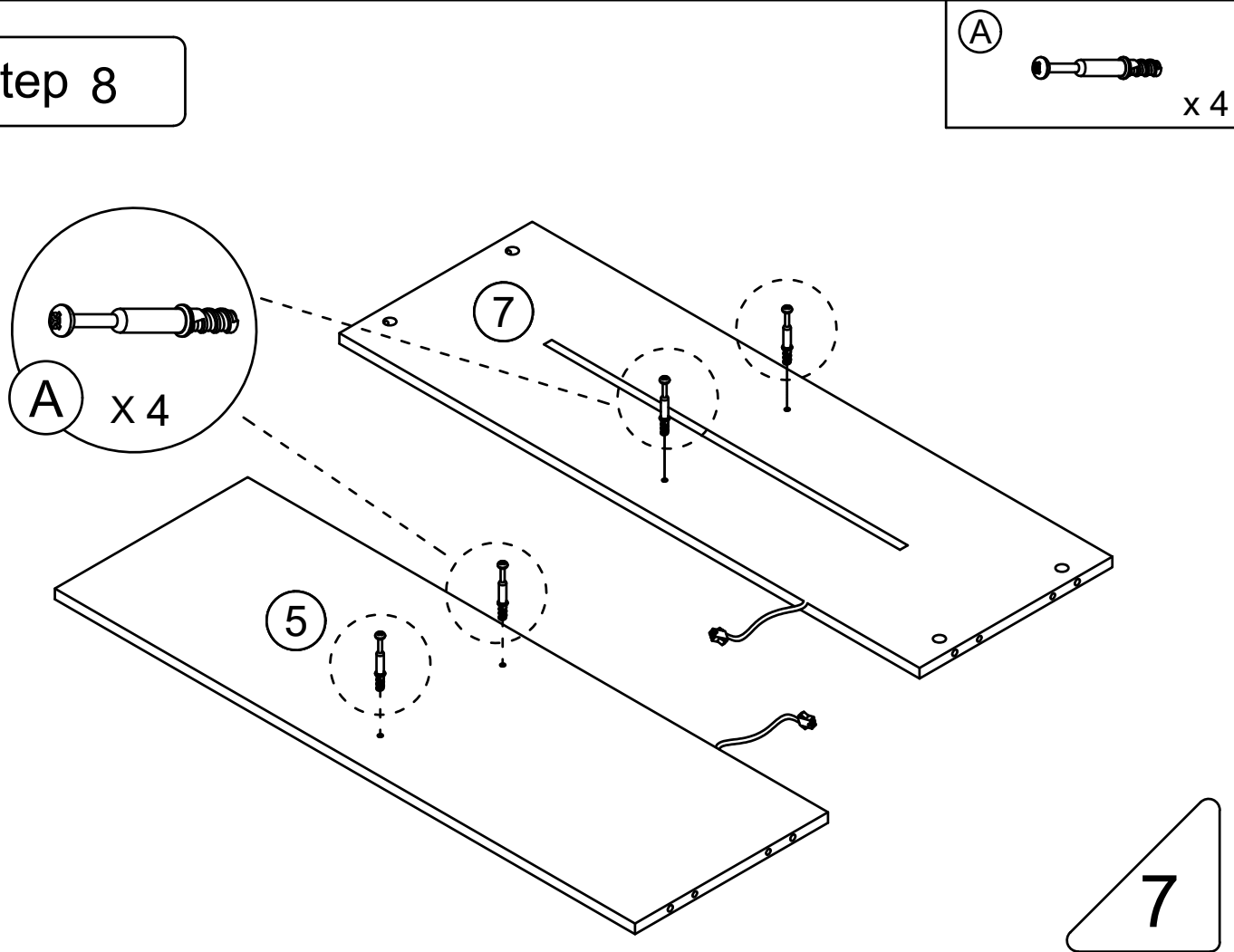
Tear off release paper and stick the black foot pad on the board



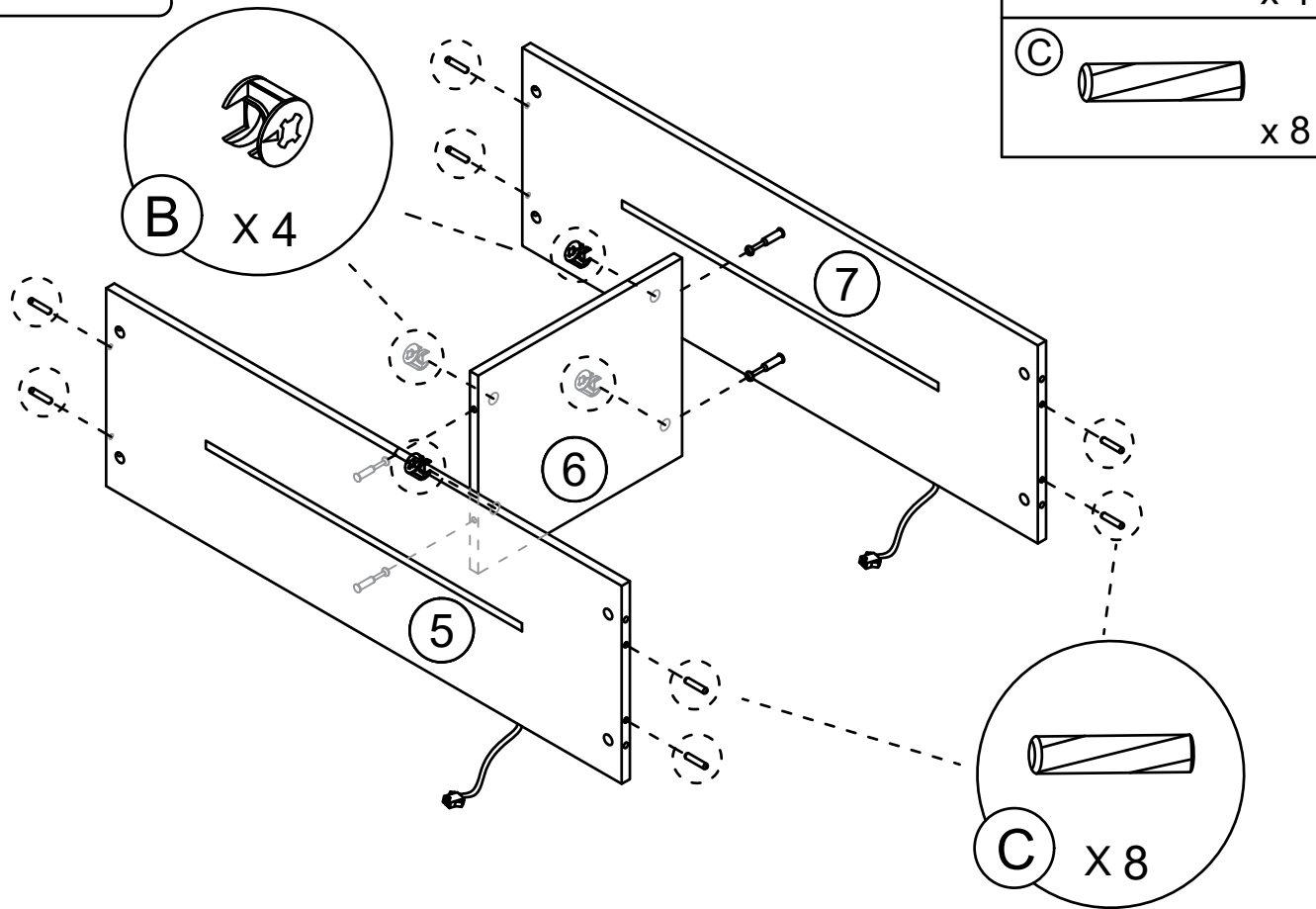
# Step 7



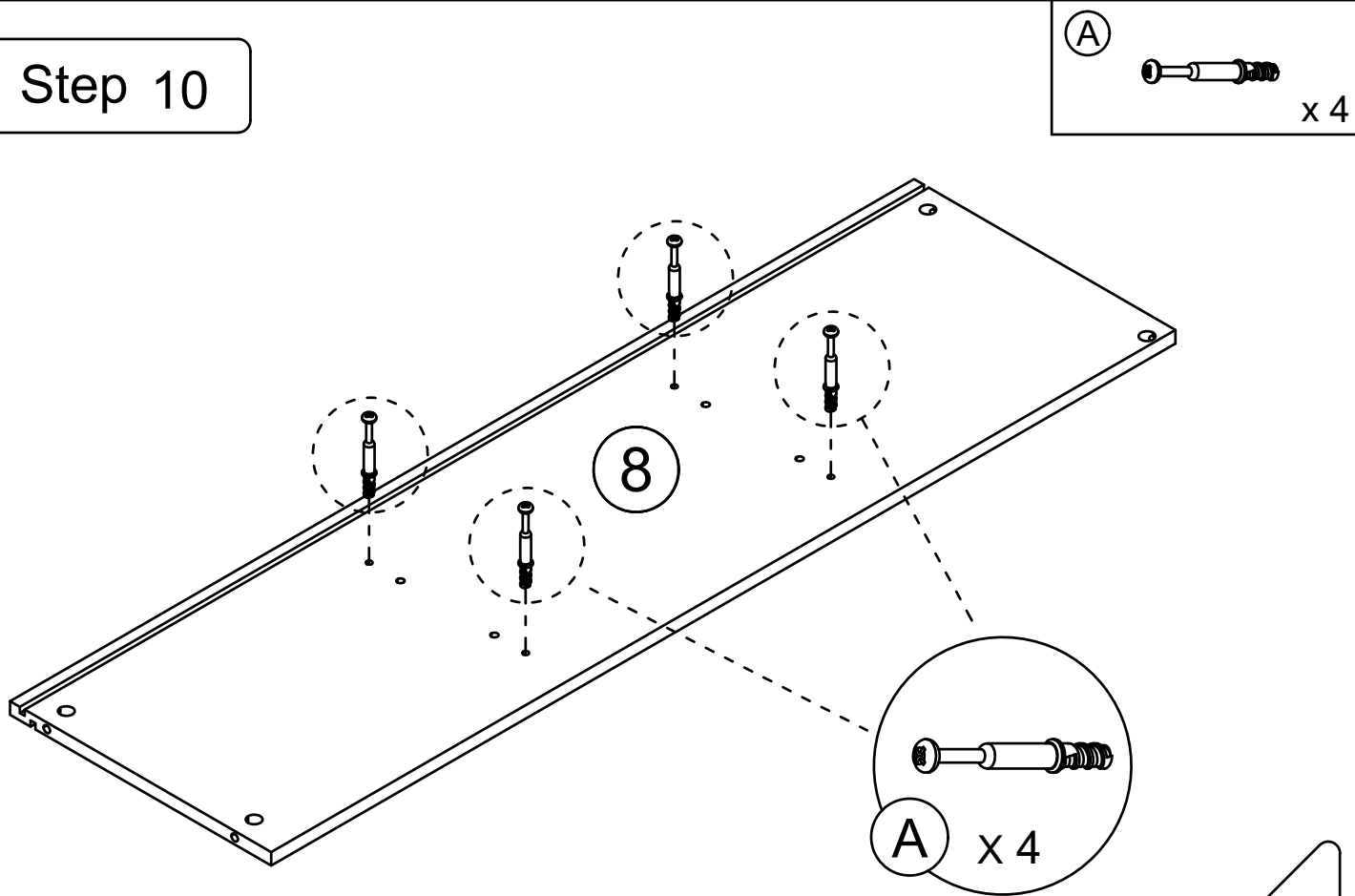
# Step 8



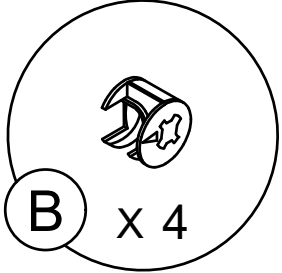
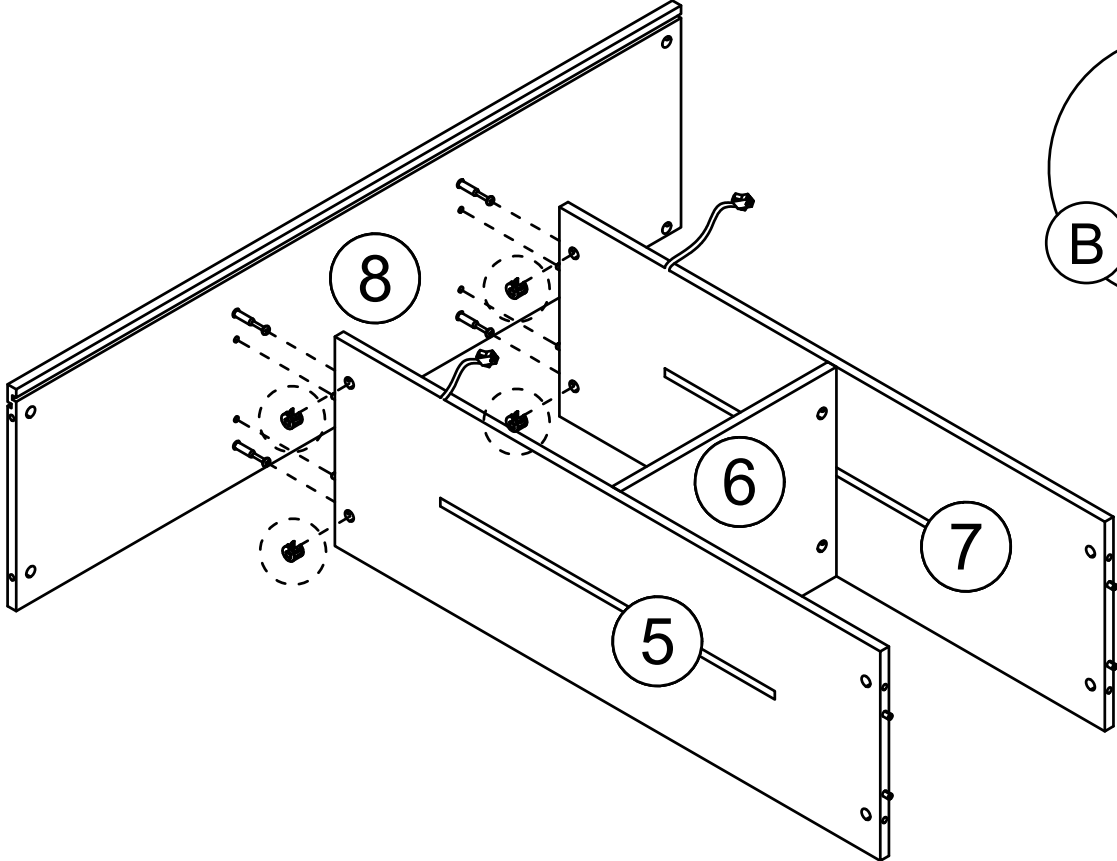
Step 9



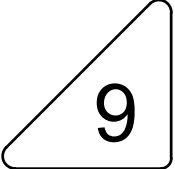
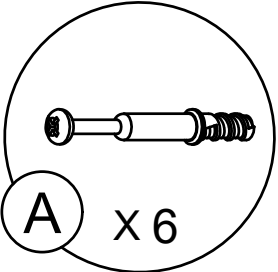
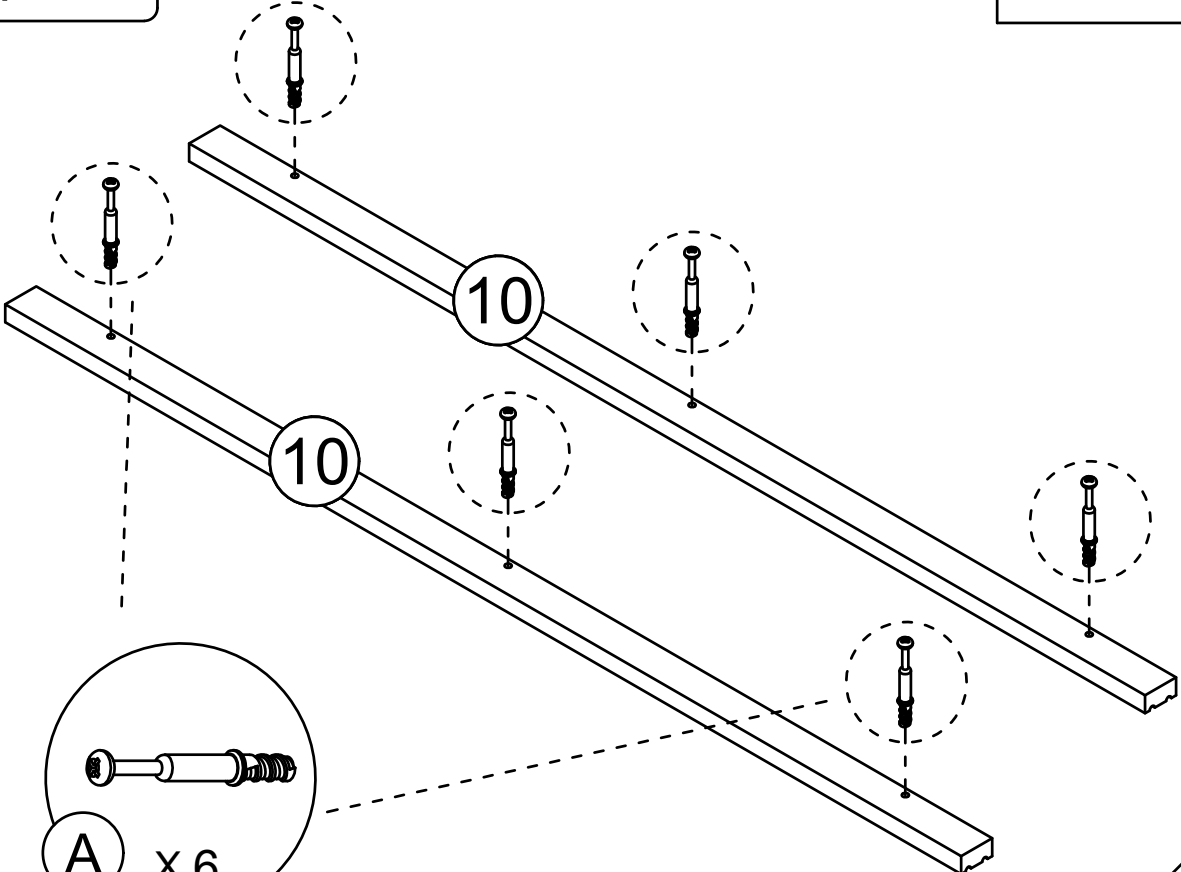
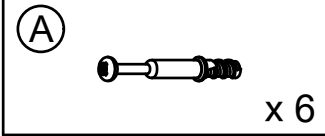
Step 10



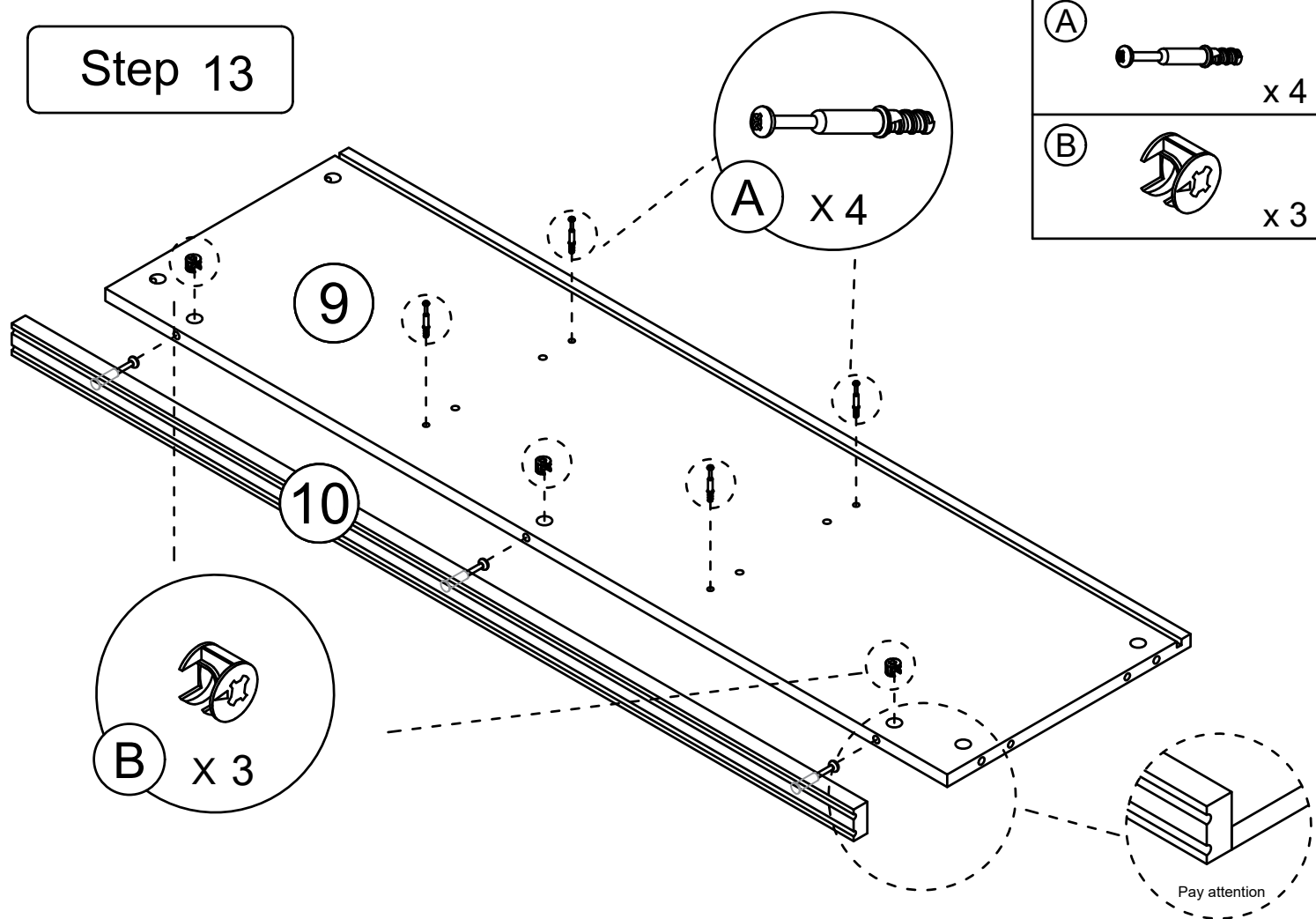
Step 11



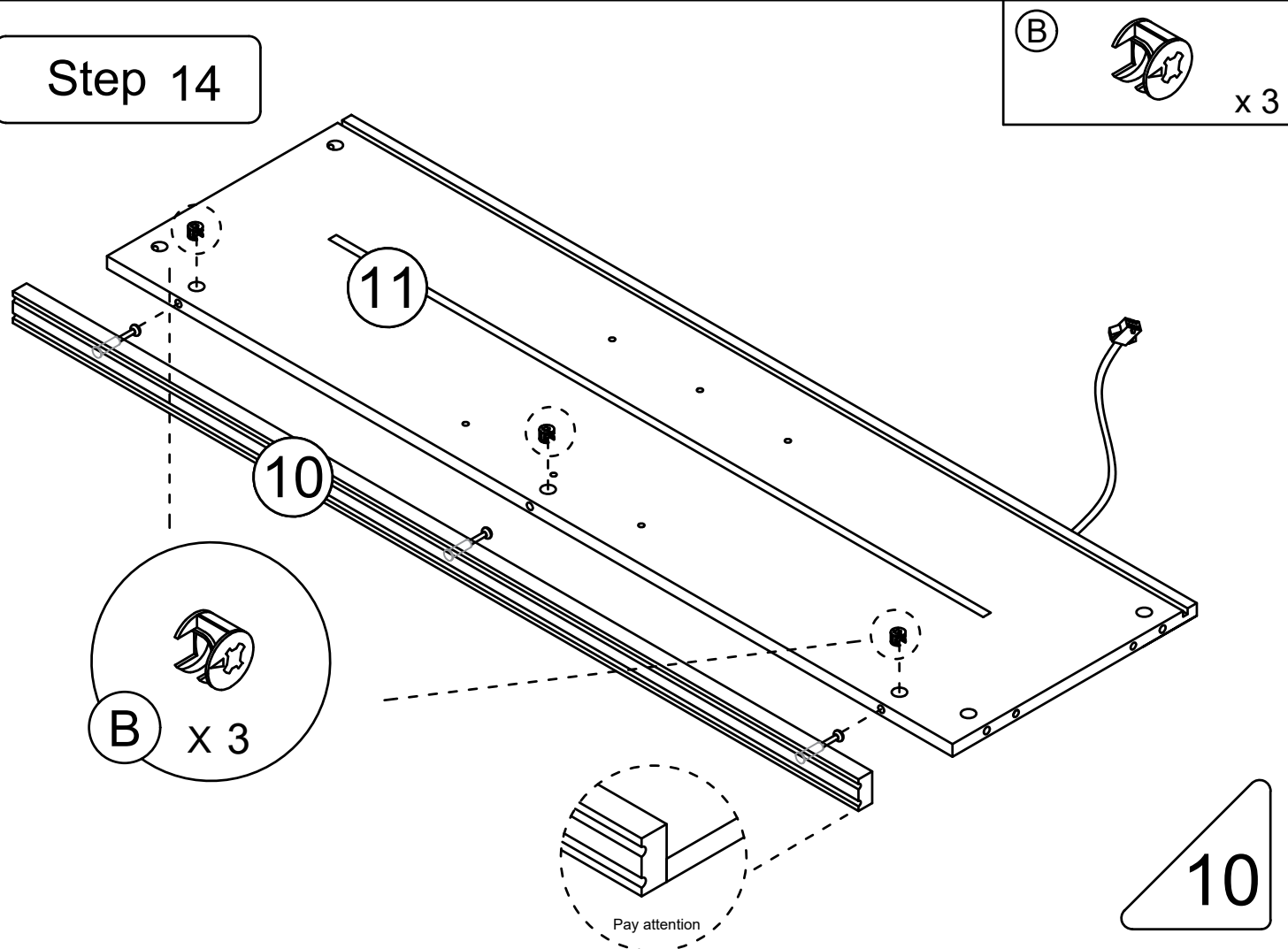
Step 12



# Step 13

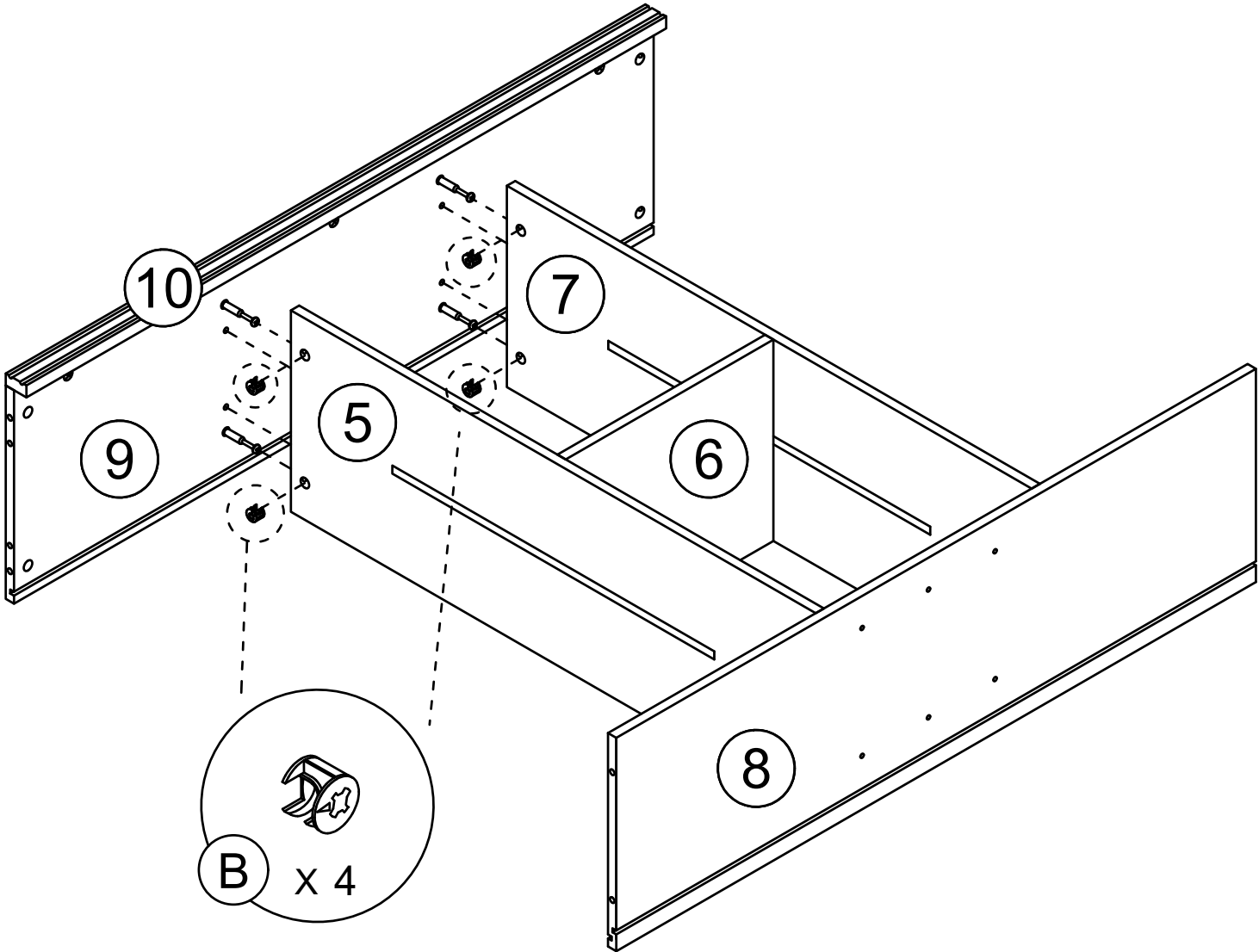



# Step 14



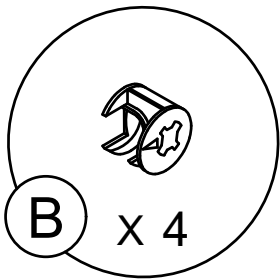
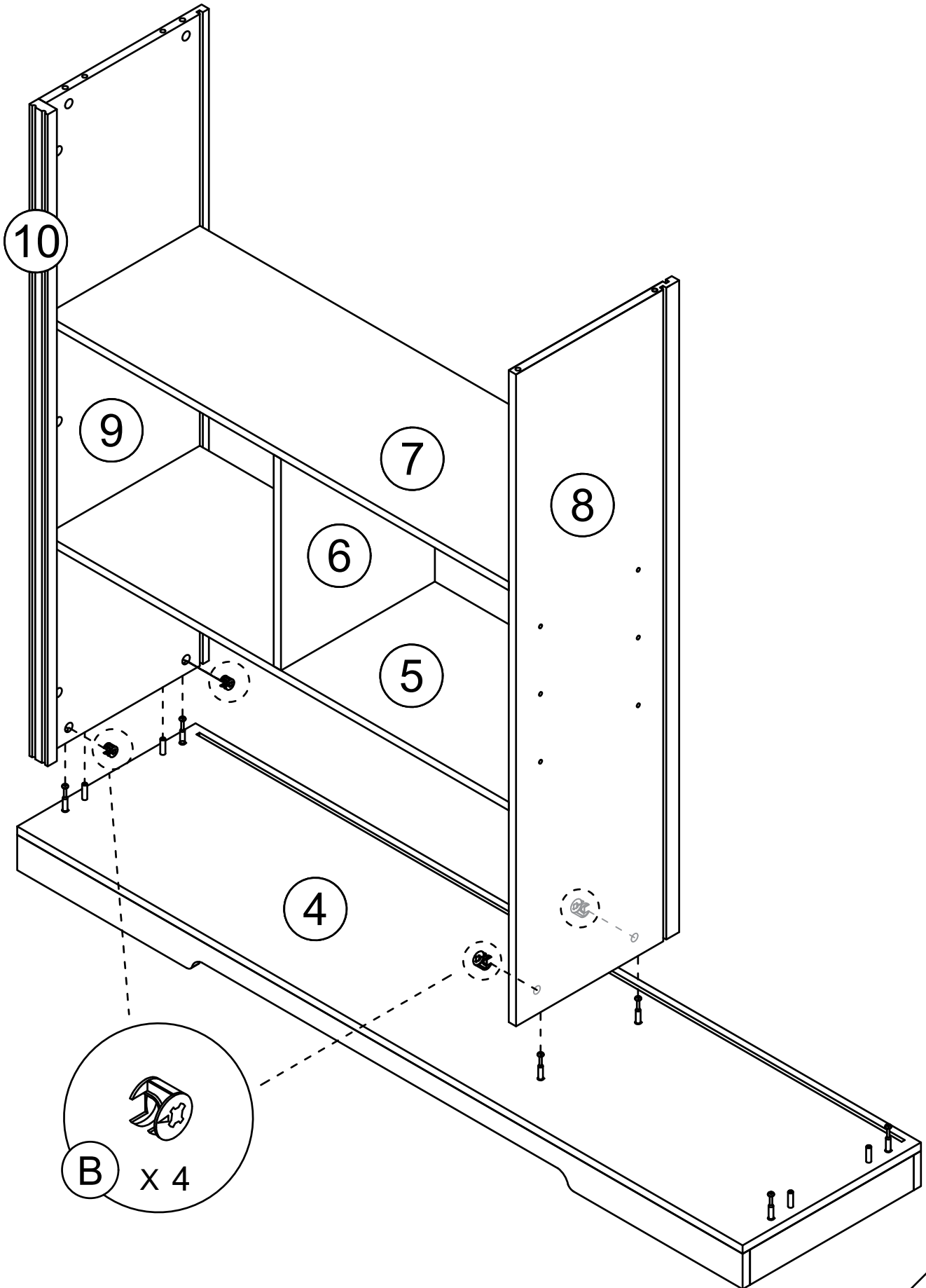
Step 15

(B)  x 4


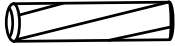


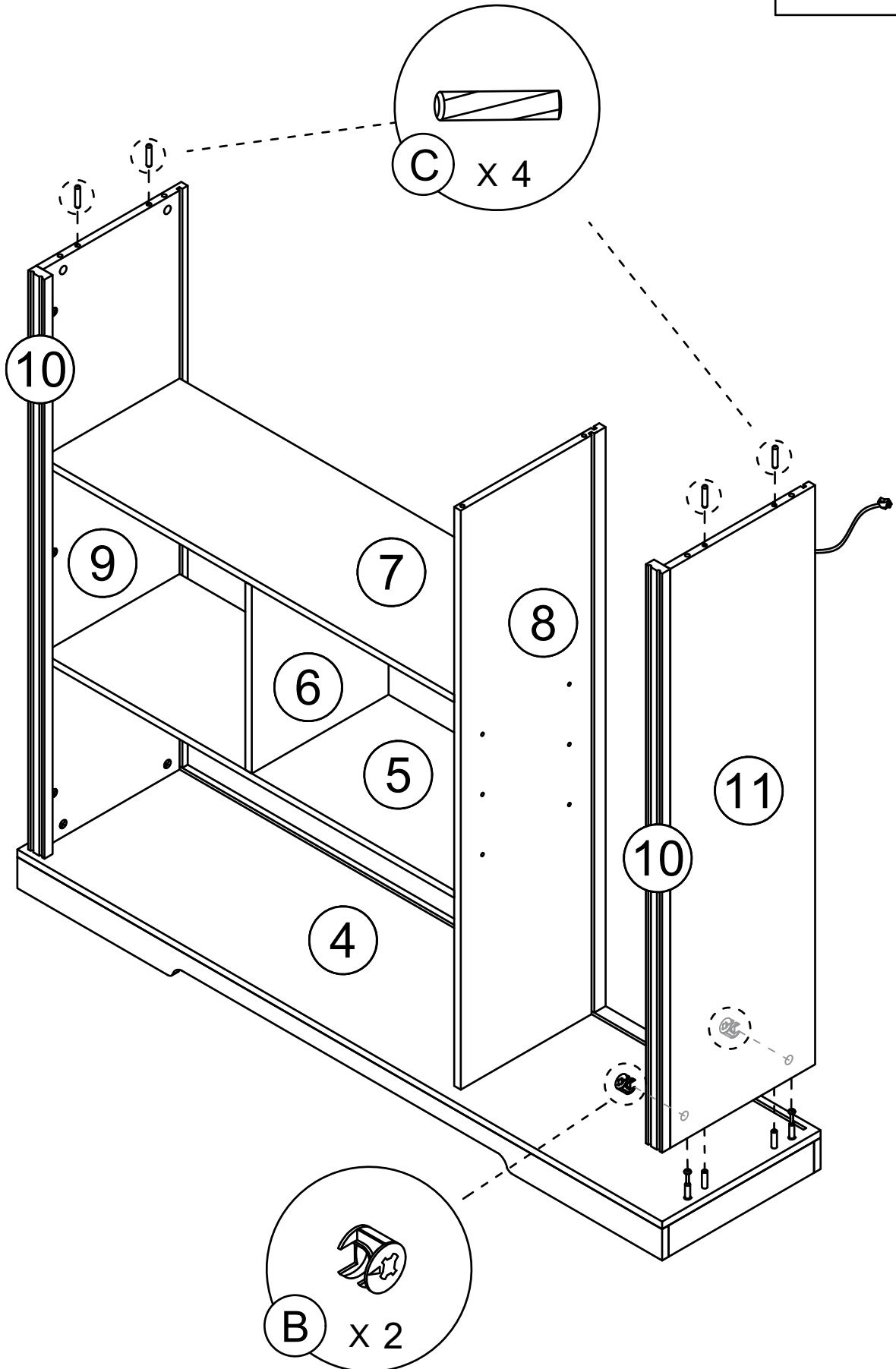
(B)  x 4

Step 16

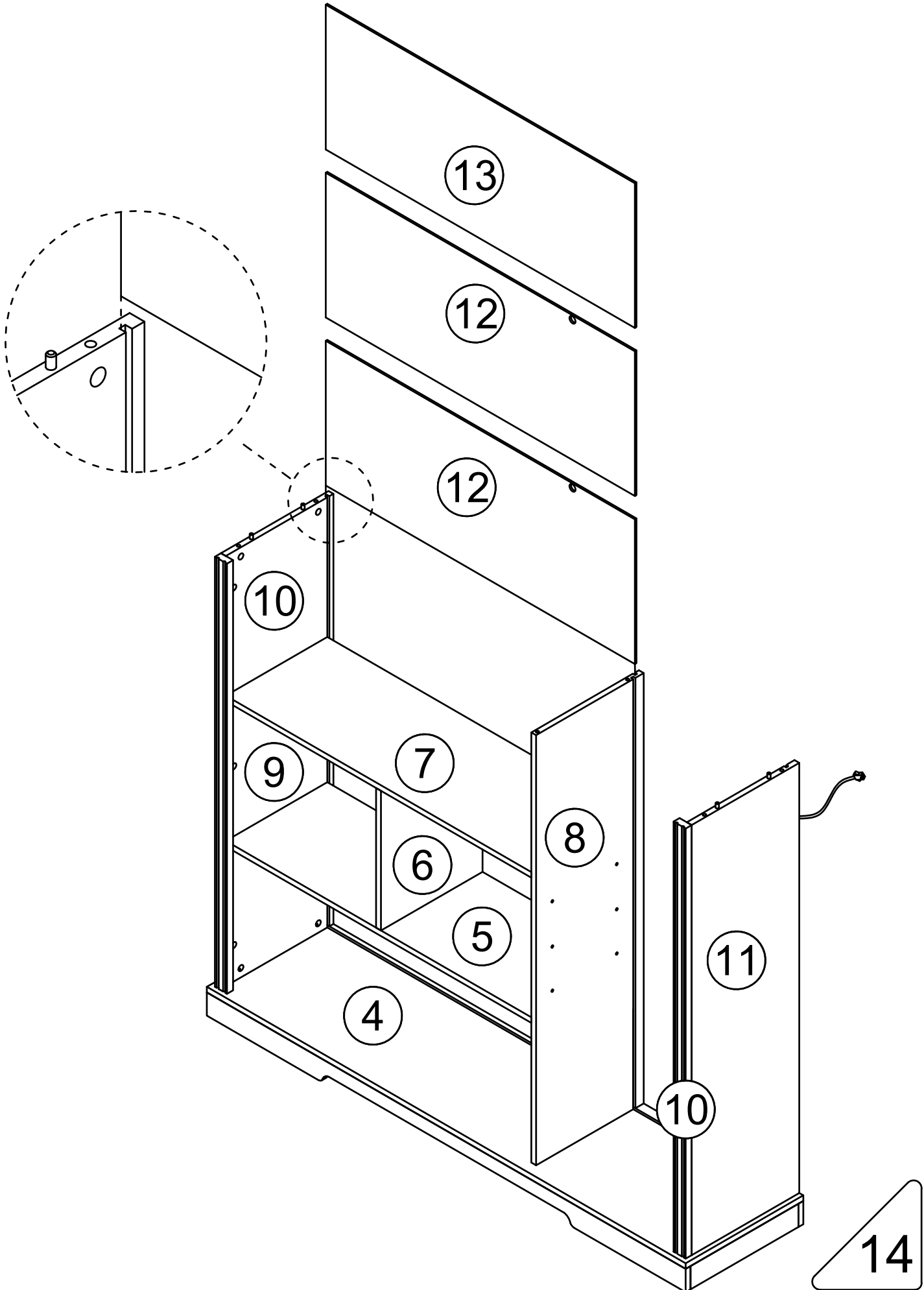


Step 17

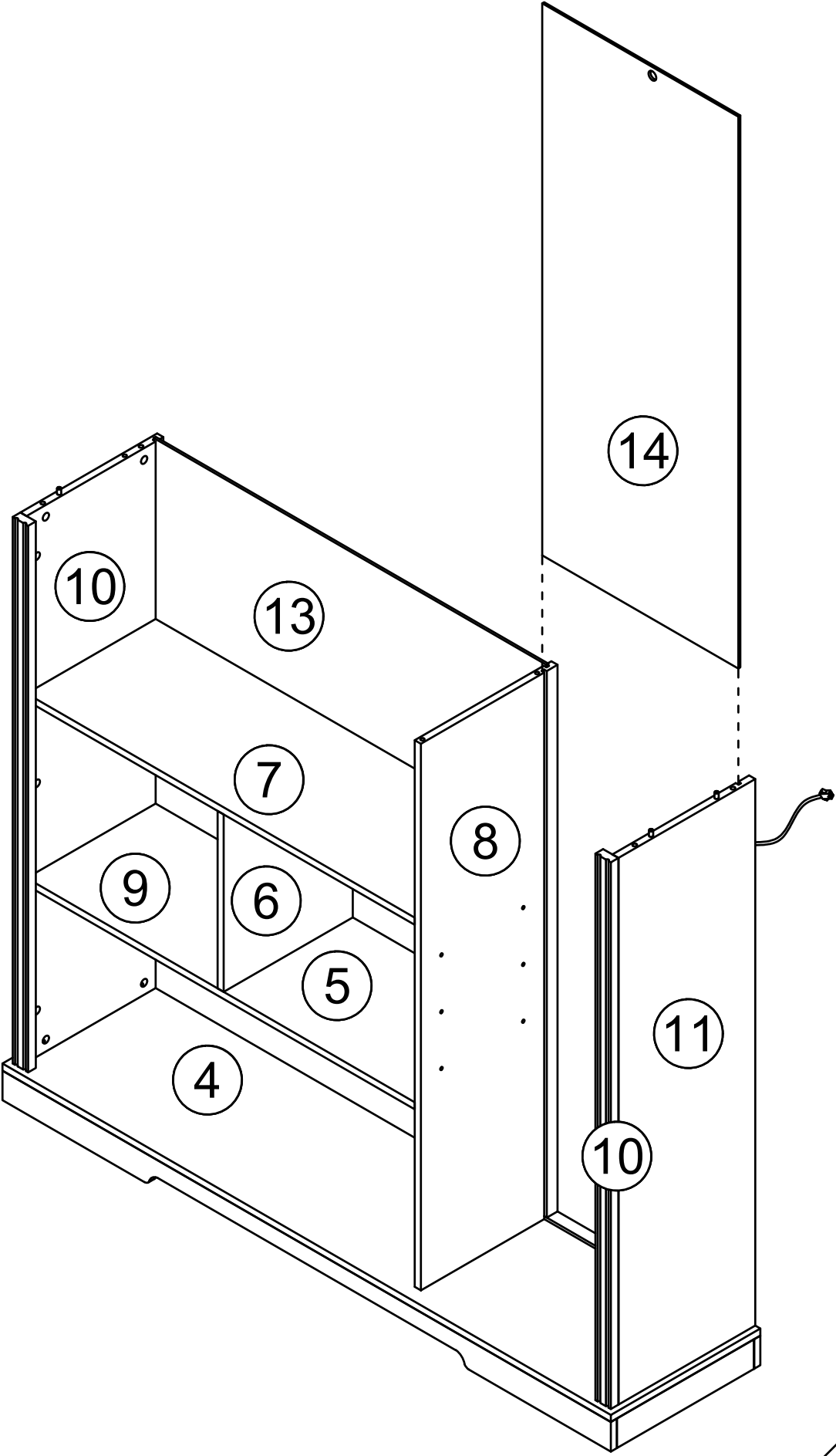
- (B)  x 2
- (C)  x 4



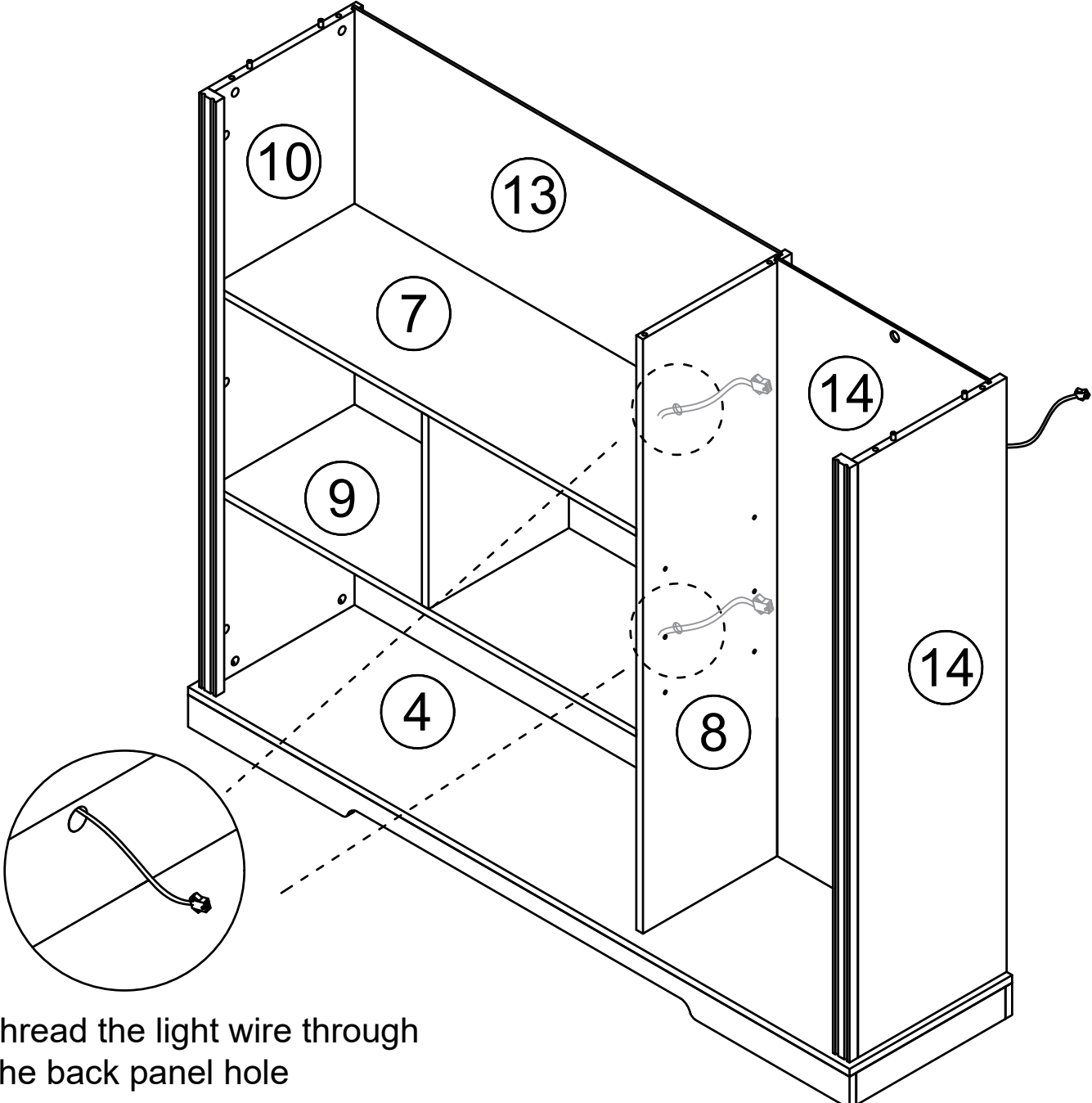
Step 18



Step 19

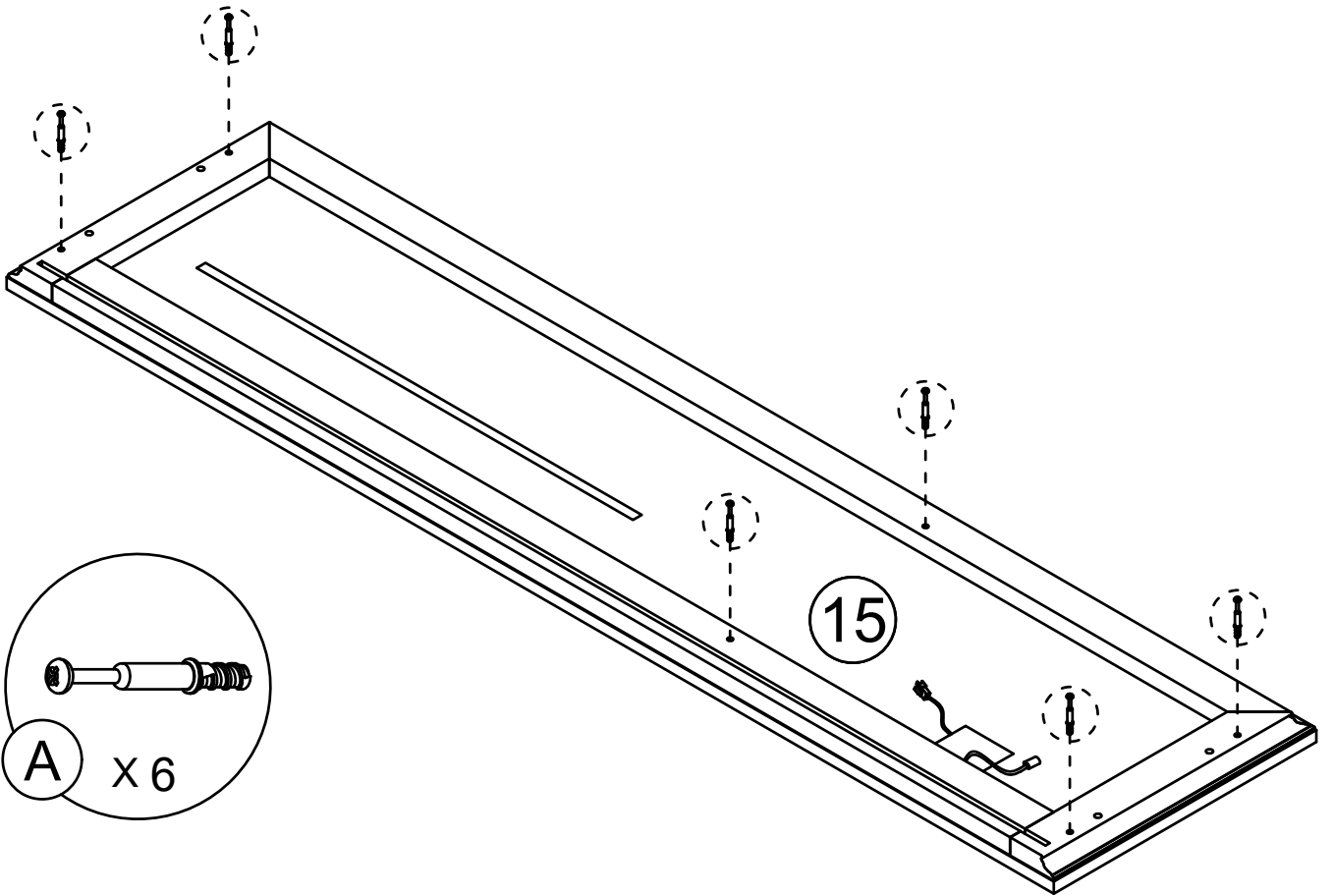
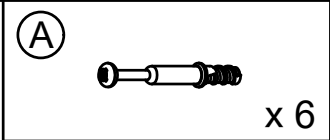


Step 20

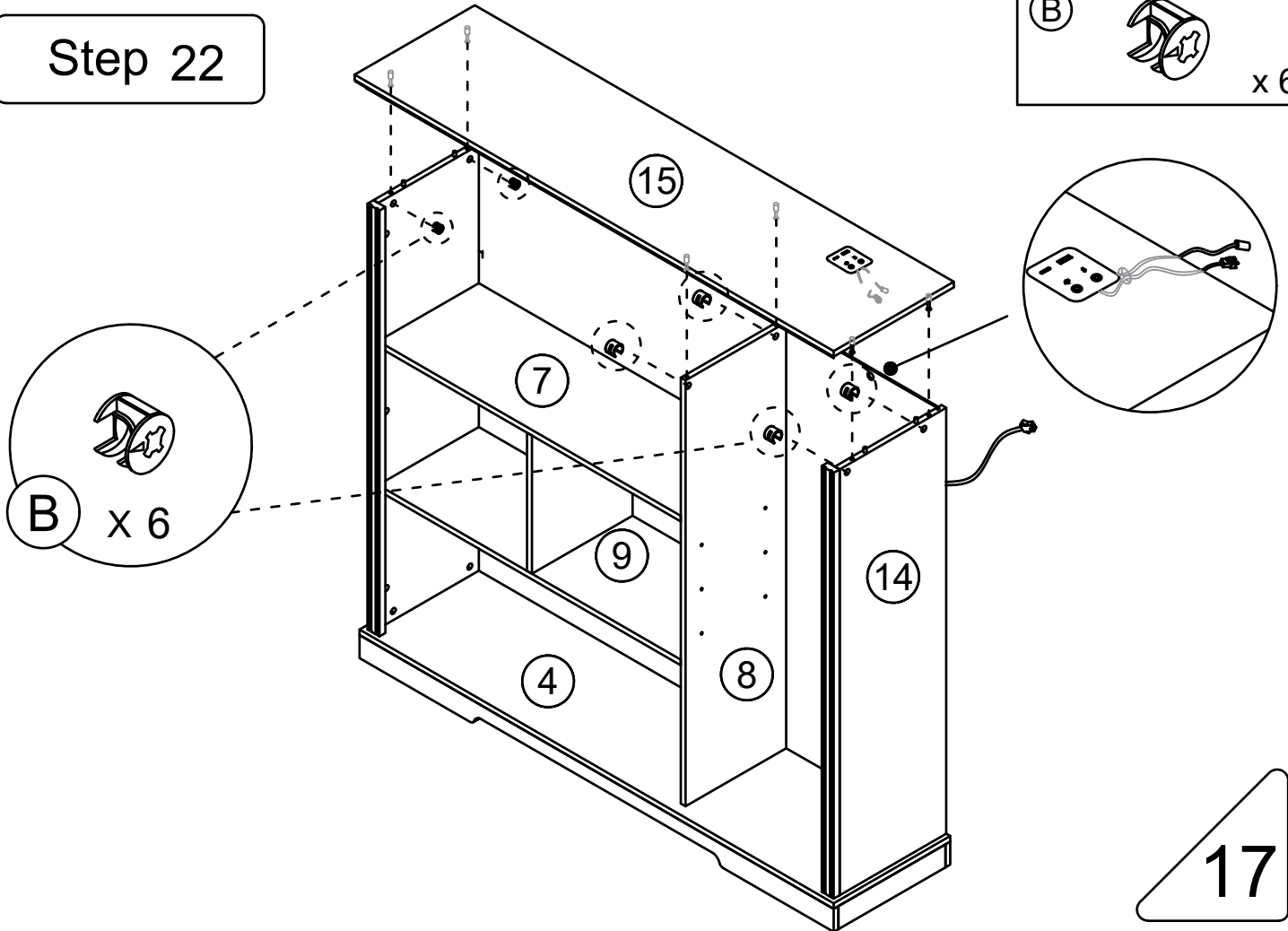


Thread the light wire through the back panel hole

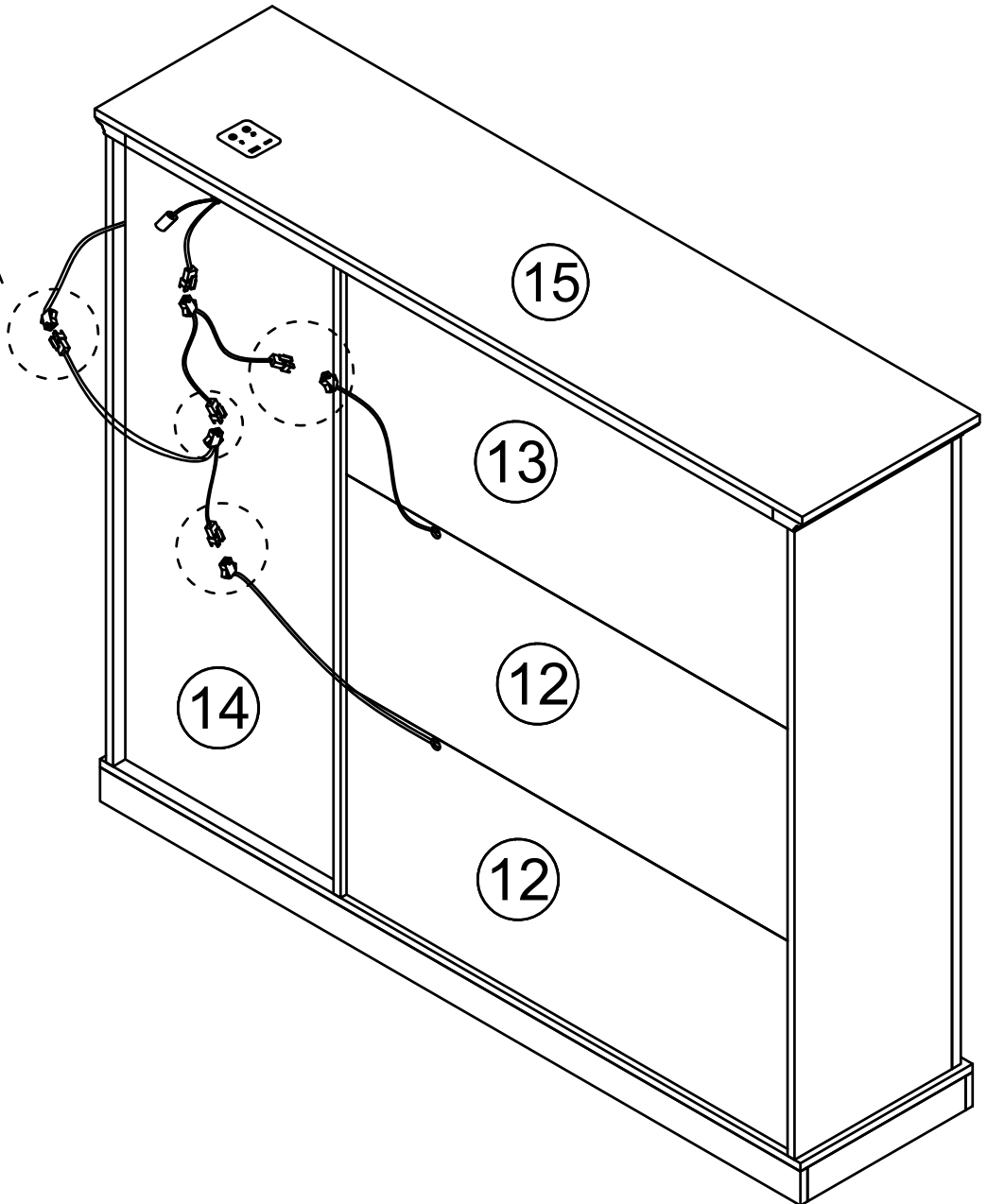
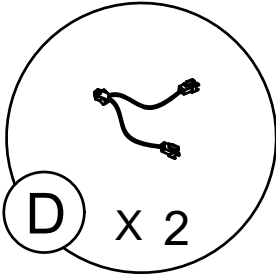
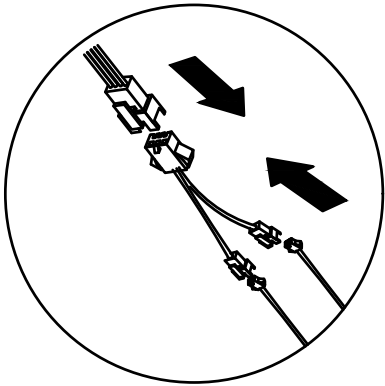
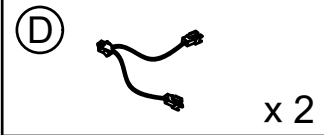
Step 21



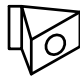

Step 22





Step 23

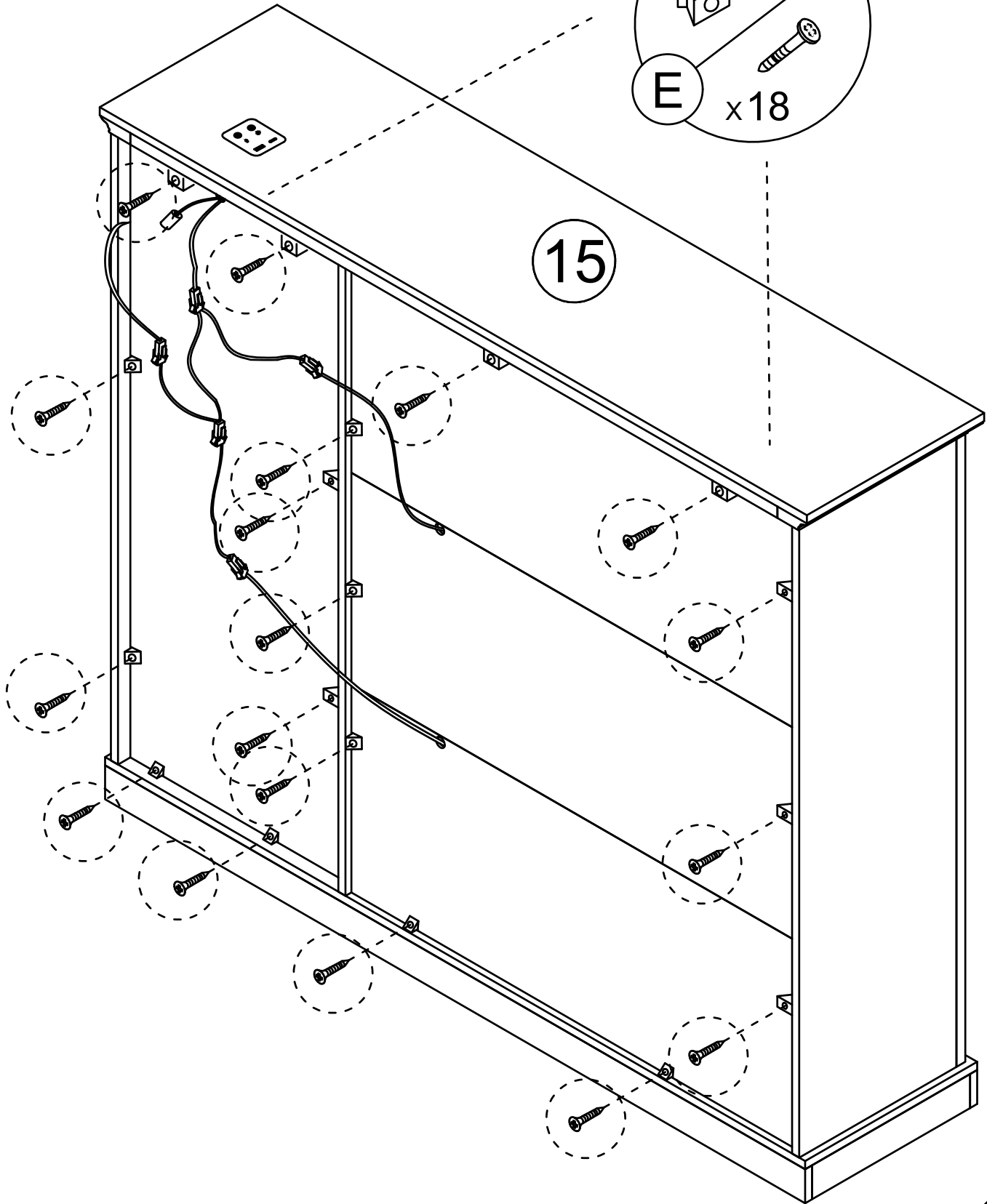


Step 24

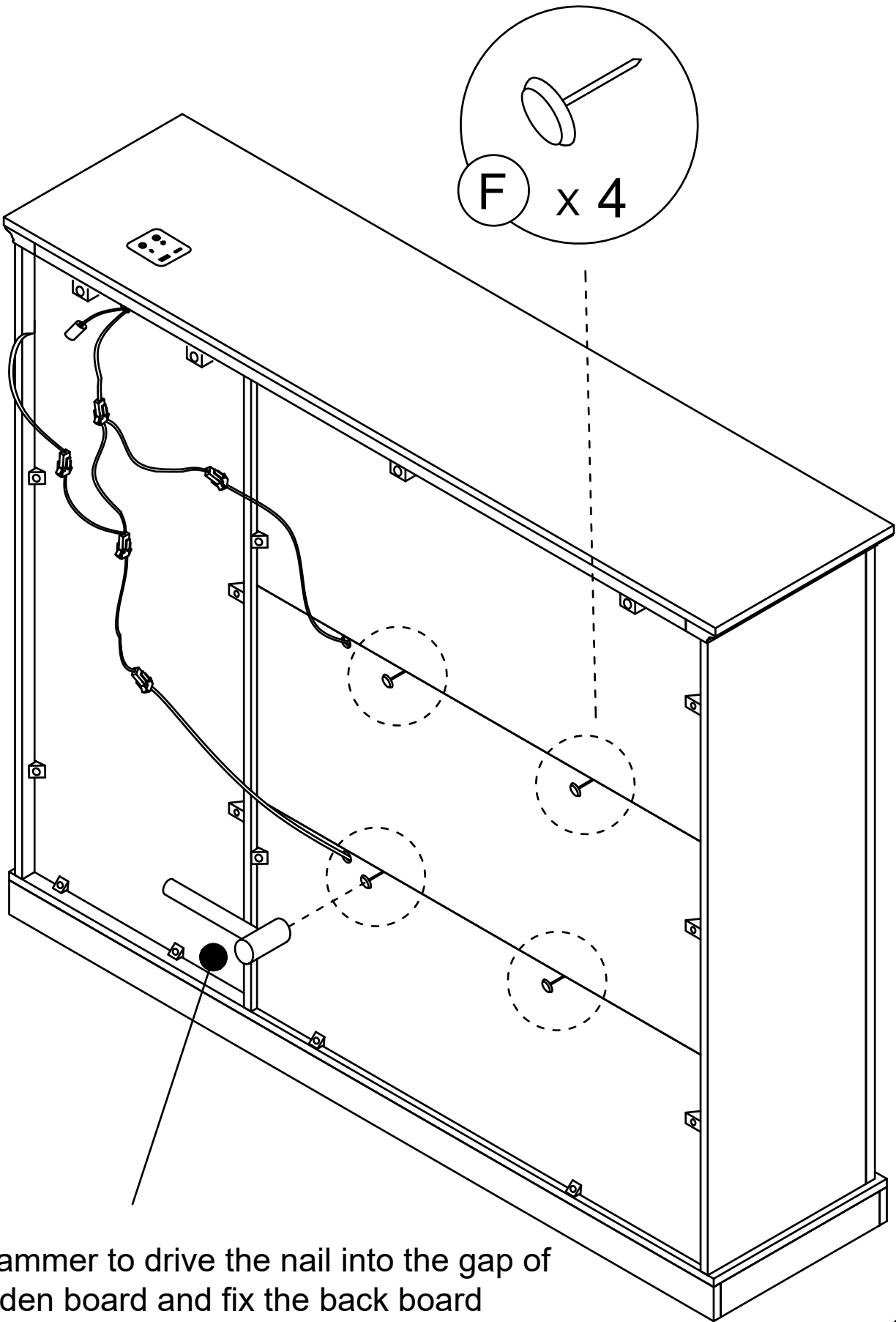
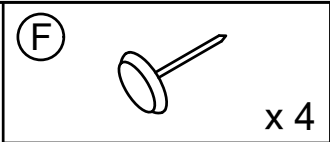
(E)  x18  x18

(E)  x18  x18

15

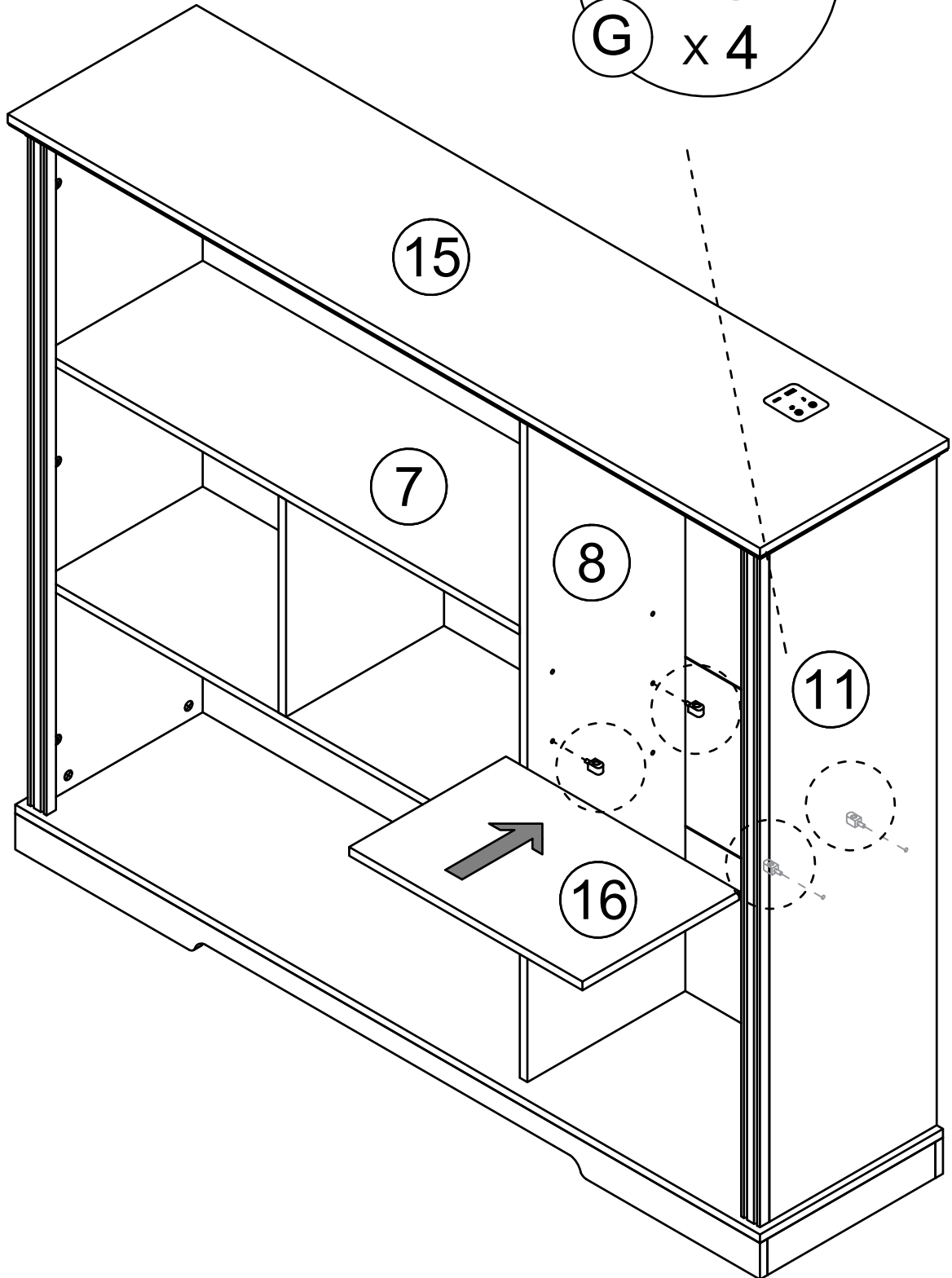
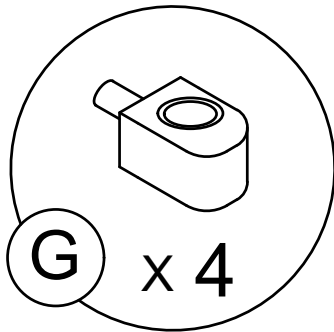
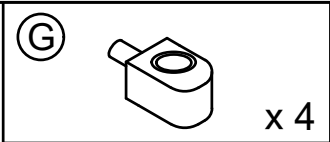


Step 25



Use a hammer to drive the nail into the gap of the wooden board and fix the back board

Step 26



# Step 27

**Wall Mount**

+

Wall

Wall

Wall

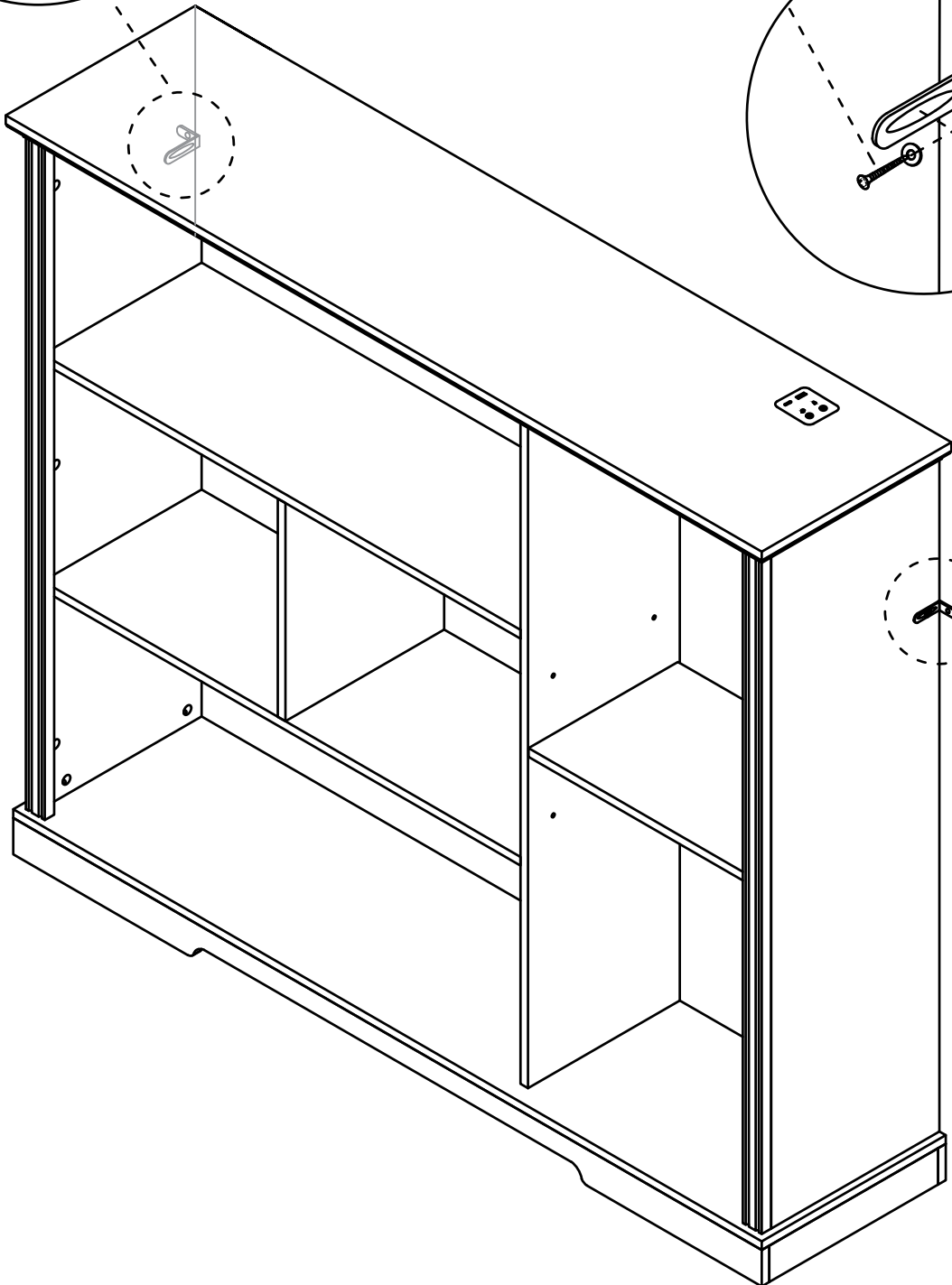
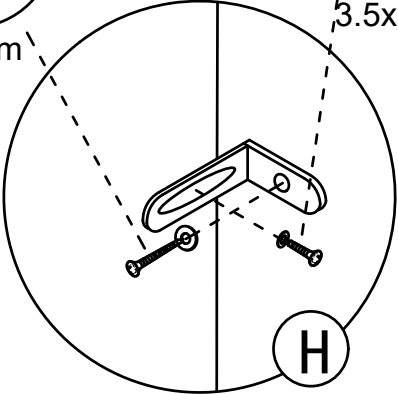
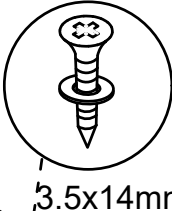
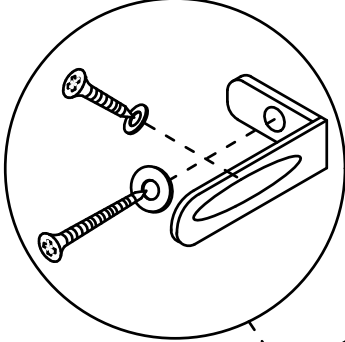
Drill the hole after measuring and marking position.

**H** x2 x2

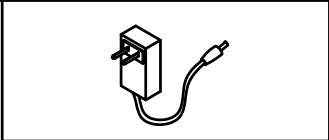
x4 x2

x2

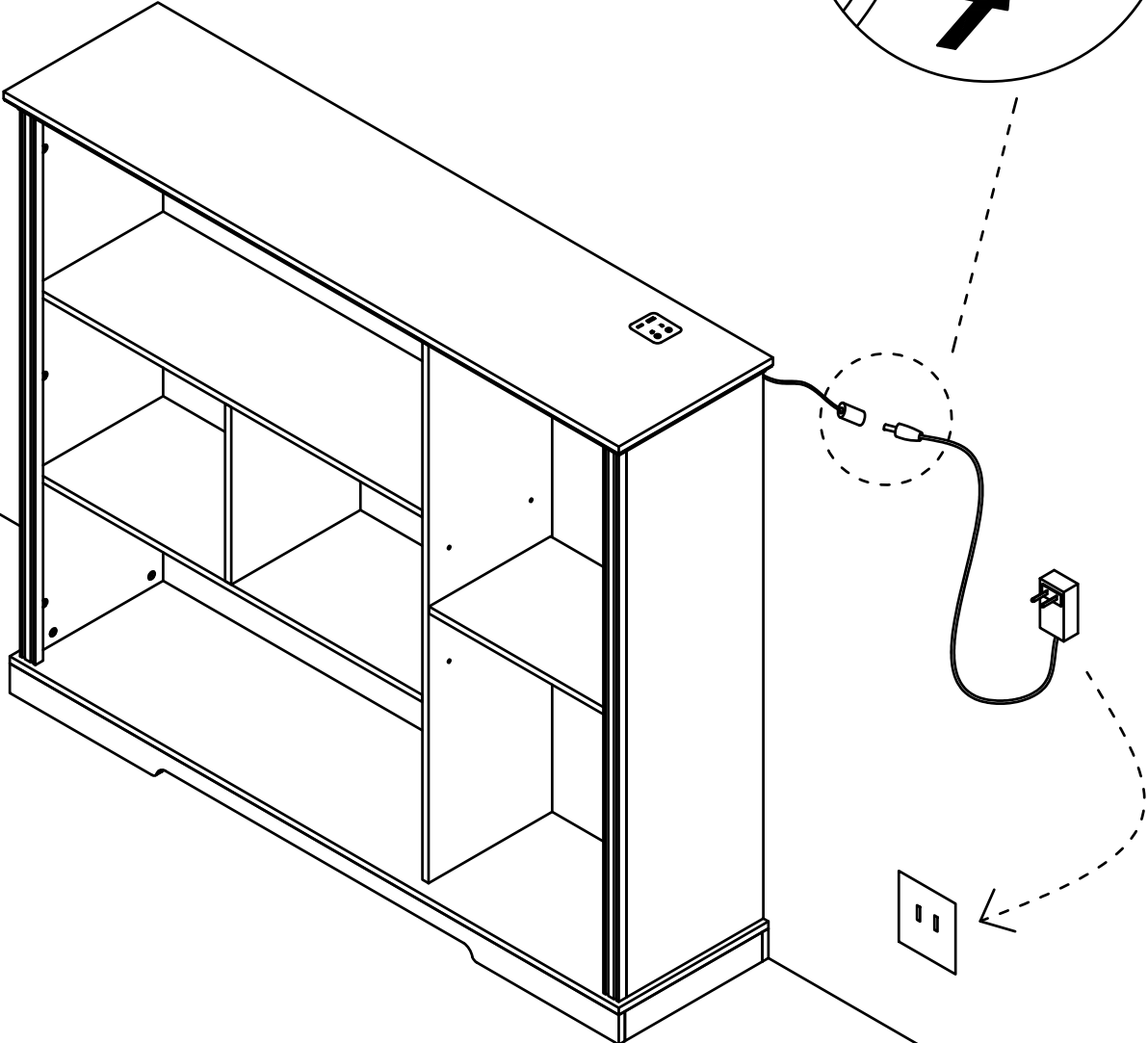
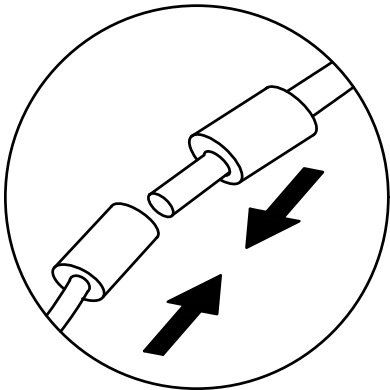
Install as required



Step 28



wall



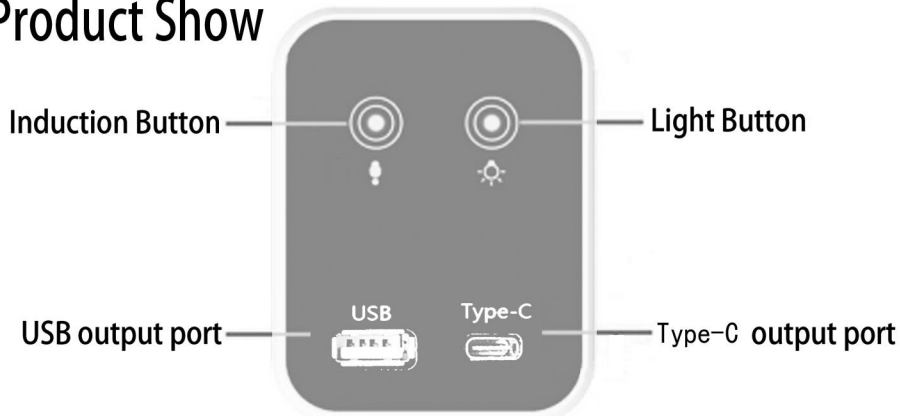
# User's Guide

Thank you for purchasing this product. To use this product, please plug it into a 12V DC power supply. Please use if the product works normally after connecting to power.

## Introduction

The box is an intelligent controller. It has 1 USB port and 1 type-C port and can distribute the current output up to 5V DC-2A. With 2 touch buttons, it can turn ON/OFF the light, change light colors, and adjust the light luminance.

## Product Show



### ATTENTION PLEASE

1. If there is no touch response suddenly, Re-plug the power to reset the touch static electricity.
2. If bubbles appear on the panel, remove the protective film.

## Operation



This touch button is used to turn on/off, change colors, and adjust brightness.

A. Short touch -> lighting on -> short touch -> change light color -> short touch -> change light color -> short touch -> lighting off. B. Long touch -> adjust the luminance



This touch button is used to turn on/off the induction function.

A . Short touch to turn on the induction function. It can auto-turn on the light when people are close to the controller in 1 meters. It can auto power off the light when the body is far away from the controller after 30 seconds.

B . Long touch to turn off the induction function.

C . Note: When you touch the light button to change the light modes, the induction function will automatically turn off. It is best to turn on this function after selecting the light color and adjusting the brightness you want.