

ASSEMBLY AND INSTALLATION INSTRUCTIONS

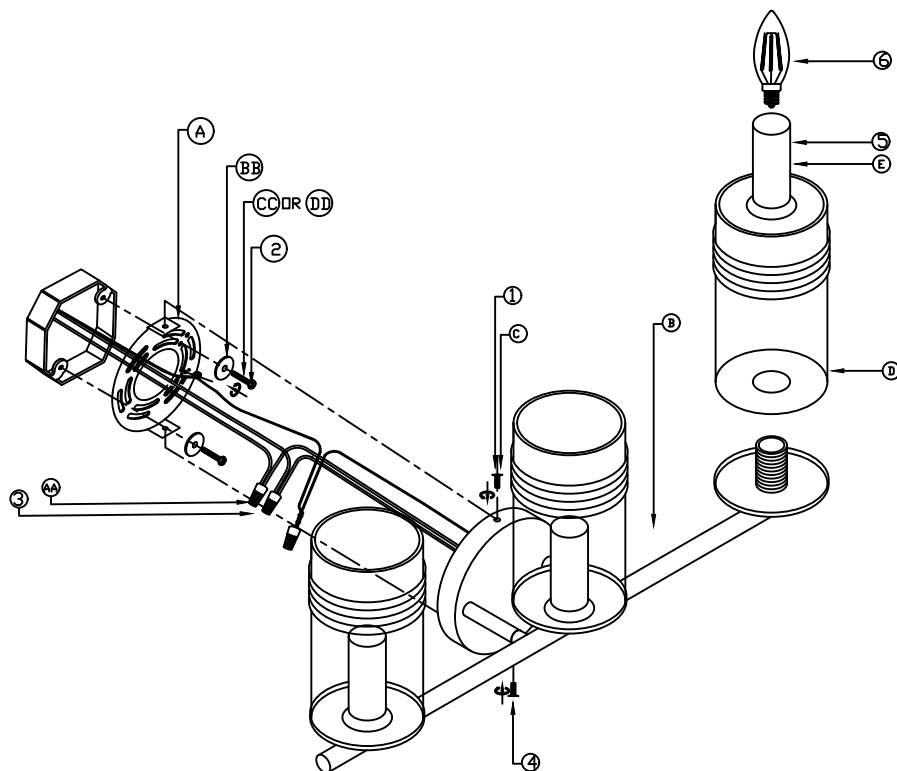
WARNING: TO AVOID RISK OF ELECTRICAL SHOCK, BE SURE TO SHUT OFF POWER BEFORE INSTALLING OR SERVICING THIS FIXTURE.

AA
3X

BB
2X

CC
2X

DD
2X



Before You Begin:

- Ensure power is turned off at the circuit breaker before installation.
- Read all instructions carefully.
- Installation should be performed by a qualified electrician if you are unfamiliar with wiring.

Step-by-Step Installation:

1. Rotate the mounting screws (C) to detach the mounting plate (A) from the fixture.
 2. Secure the mounting plate (A) to the junction box using screws (CC or DD, select appropriate length for your box) and washers (BB).
 3. Wiring Connections
 - Use wire connectors (AA) to connect the fixture's positive wire, negative wire to the corresponding wires from the junction box. Connect the ground wires to the grounding terminal.
 - Ensure no exposed conductors remain outside wire connectors or outside the junction box.
 4. Secure the fixture body (B) to the mounting plate (A) by tightening the screws (C).
 5. Unscrew the socket cover (E) from the socket. Place the glass shade (D) and secure it with the socket cover (E).
 6. Install the light bulb (bulb not included). Do not exceed maximum wattage.
- Installation is complete.

Safety Instructions:

To avoid fire, shock, and serious personal injury, follow all instructions carefully.

1. Do not install or use the light fixture if any part is missing or damaged.
2. To avoid possible electrical shock, be sure electricity is turned off at the main fuse or circuit breaker box before wiring.
3. Make certain no bare wires are exposed outside the wire connectors.
4. All wiring must conform to national and local electrical codes.
5. Follow the recommended instructions for the proper method of wiring your new light fixture. If you feel you do not have enough electrical wiring knowledge or experience, have your light fixture installed by a licensed electrician. Any electrical work not described in this manual should be performed by a licensed electrician.