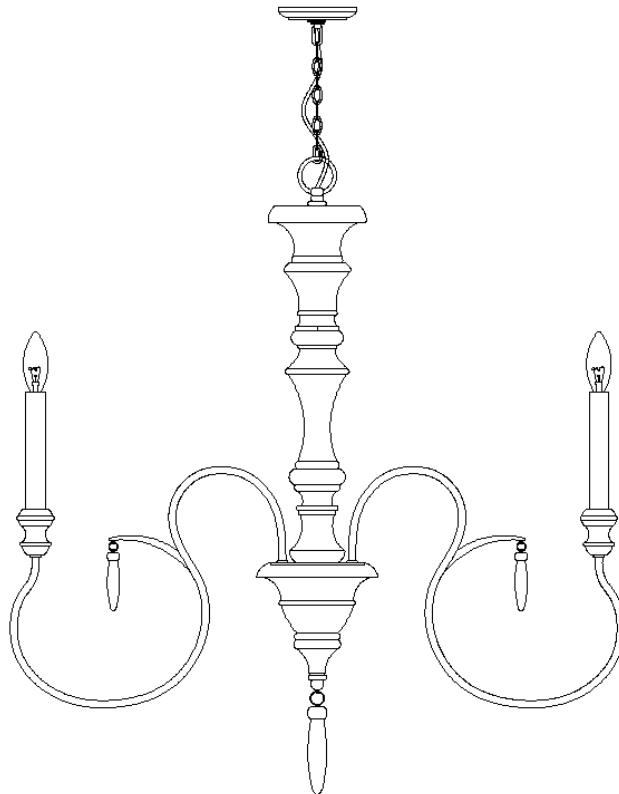


---

**WARNING** (To reduce the risk of fire, electric shock, or injury to persons):


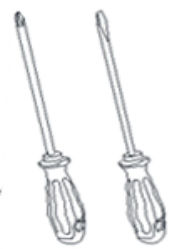



1. We suggest installation by a **licensed electrician**.
2. Please read the instruction carefully and save it as you may need it at later time.
3. Before you start, **NEVER** attempt any work without shutting off the electricity until the work is done. A). Go to the main fuse, or circuit breaker, box in your home. Place the main power switch in the **"OFF"** position. B). Place the wall switch in the **"OFF"** position.
4. Mounting surface should be clean, dry, flat, strong enough and 1/4" larger than the canopy on all side. Any gaps between the mounting surface and canopy exceeding 3/16" should be corrected as required.
5. Make sure that the ceiling or wall can stand the weight of the lamp before fixture.
6. Make sure the voltage you are using is **120V**. The maximum wattage is **40W** per bulb.
7. Keep the lamp away from acidic and basic objects in case of damaging the surface of the lamp.
8. When replacing bulb, you should turn off or unplug the lamp and you must wait until it is cool as bulbs get hot quickly.
9. The safety instructions appearing in this manual are not meant to cover all possible conditions that may occur. It must be understood that common sense, caution and care must be used with any electrical products.

**IMAGE FOR FINISHED PRODUCT:**



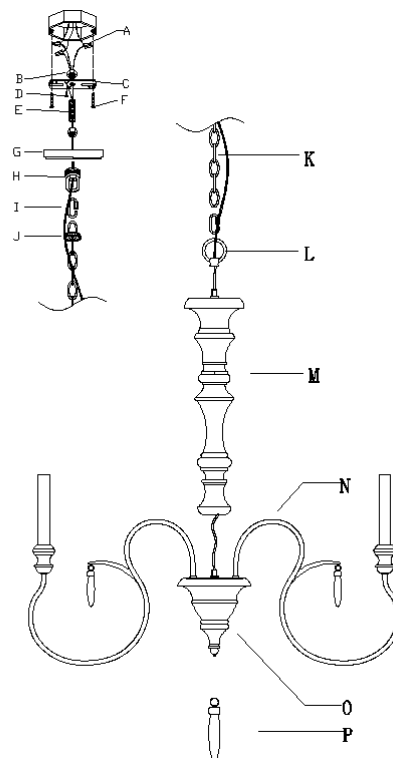
**TOOLS REQUIRED (NOT INCLUDED):**

Before doing assembly and installation please prepare the needed tools as below picture

				
Ladder	Phillips head, flat blade screwdriver	Electrical tape	Pliers	Wire cutter/Stripper

**PARTS TYPE & QTY INCLUDING:**

- (B) Hex nut (2)
- (C) Single bar (1)
- (D) Green ground screw (1)
- (E) Nipple (1)
- (G) Canopy (1)
- (H) Collar loop (1)
- (I) Quick link (2)
- (J) Collar ring (1)
- (K) Chain (1)
- (L) Loop (1)
- (M) Post (1)
- (N) Arm (6)
- (O) Fixture (1)
- (P) Drops (7)

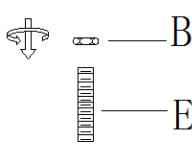
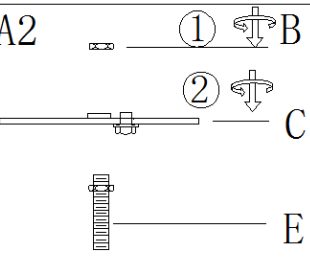
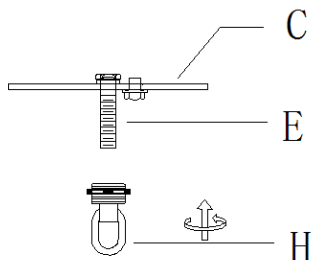
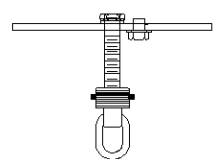


**ACCESSORIES & QTY ENCLOSED:**

- (A) Plastic wire connector (3)
- (F) Mounting screw (2)

**ASSEMBLY & INSTALLATION INSTRUCTIONS:**

1. Carefully remove the fixture from the carton and check that all parts and accessories are included as shown in the above illustration
2. Make assembly  
If the group of parts are not already assembled:

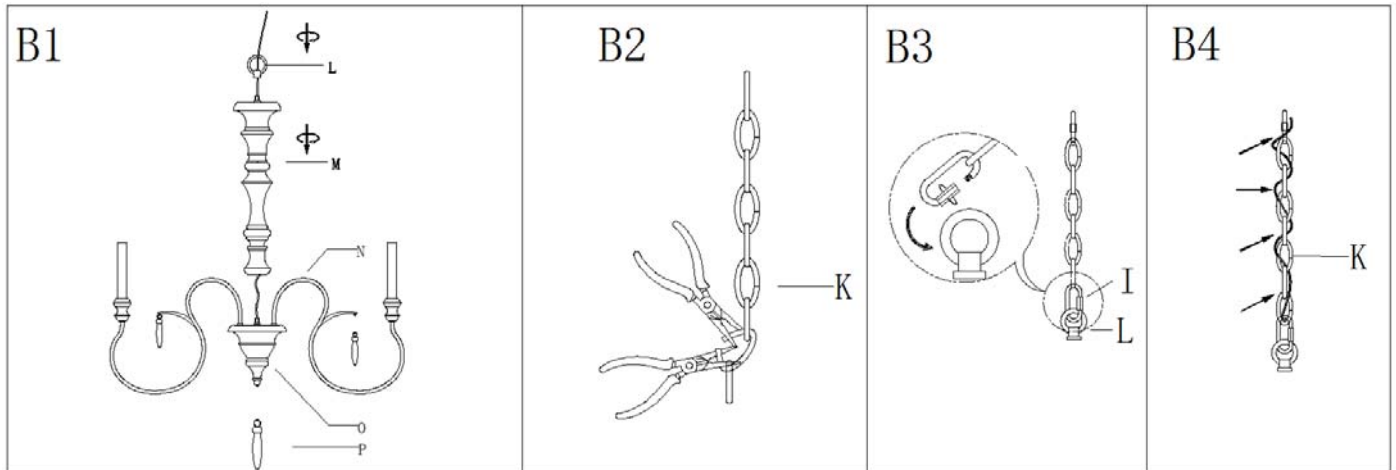
<p>A1</p> 	<p>A2</p> 	<p>A3</p> 	<p>Finished parts group image</p> 
---	---	--	---

Step A1: Thread hex nut (B) onto the nipple (E)

Step A2: Thread the single bar (C) onto nipple (E), thread another hex nut (B) onto the nipple (E), then tighten the nut (B) to secure single bar (C) in place. At this point need note that: the side of single bar marked "GND" must face to the down.

Step A3: Thread the collar loop (H) to the nipple (E)

**3. Make pre-installation**



Step B1: Carefully thread post (M) onto the fixture (O), then thread the loop (L) onto the post (M).

Hang the drops (P) onto the end of arms (N) and hang the drops (P) onto the bottom of fixture (O) properly.

Step B2: By measuring, determine the correct number of links needed for proper hanging height. Using the chain pliers, disconnect and discard the remaining chain.

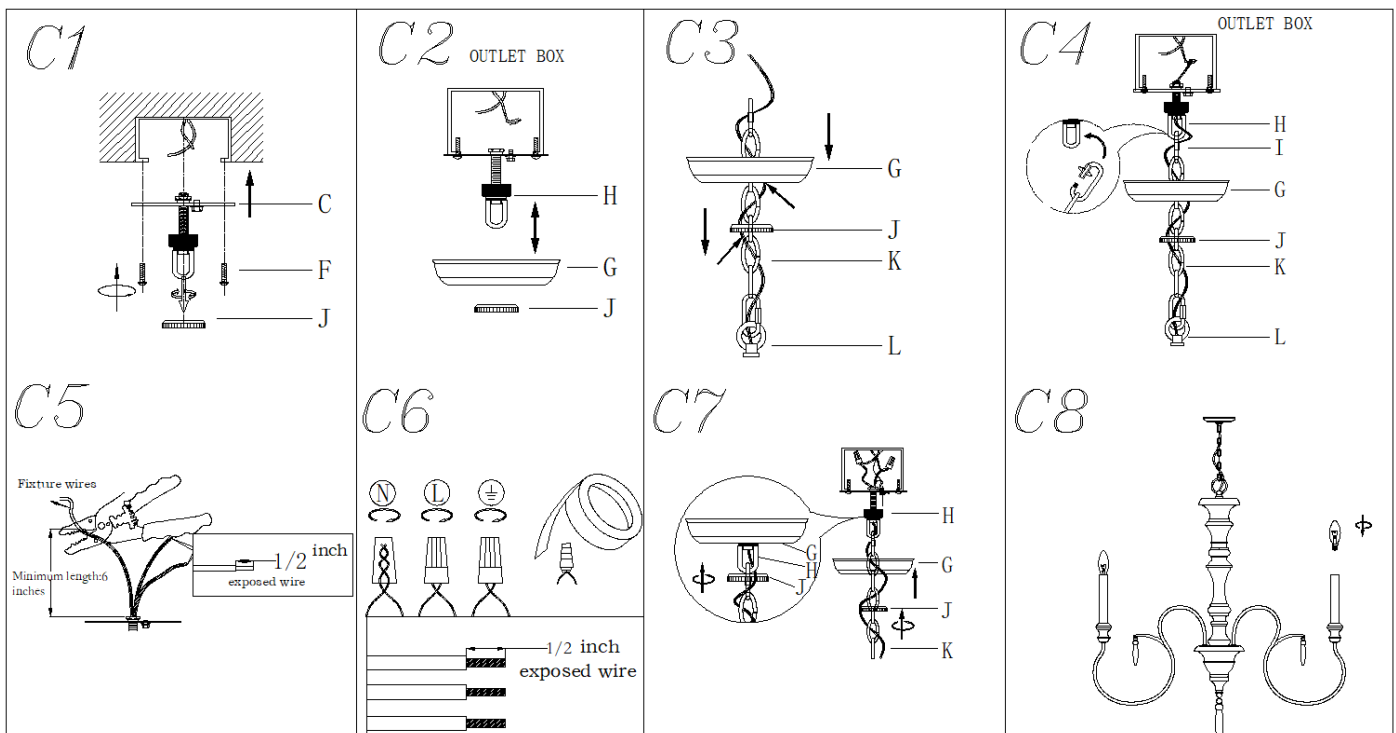
Step B3: Attach a quick link (I) to loop (L) on the top of fixture and to connect the end of chain (K).

Attach another quick link (I) to connect the chain (K) and collar loop (H)

Step B4: Carefully lace wires through chain (K)

**4. Shut off the power at the fuse box or circuit breaker**

**5. Make installation**



Step C1: Attach single bar (C) to outlet box with mounting screw (F). The side of single bar marked "GND" must face out.

Unscrew collar ring (J) from collar loop(H)

Step C 2: Raise the canopy (G) through collar loop (H) and thread the collar loop (H) to a proper position by measuring . Unscrew collar ring ( J ) from collar loop(H) and remove the canopy(G).In this way, you would know the proper position on which collar loop(H) it should be located .

Step C 3: Slip collar ring(J) over the chain(K)and wires,then do the same with the canopy(G)

Step C4: Open the quick link (J)then attach to the screw collar loop(H). Close the quick link(J).

Pass the wires through screw collar loop(H) to the top of nipple(E) and pull till snug.

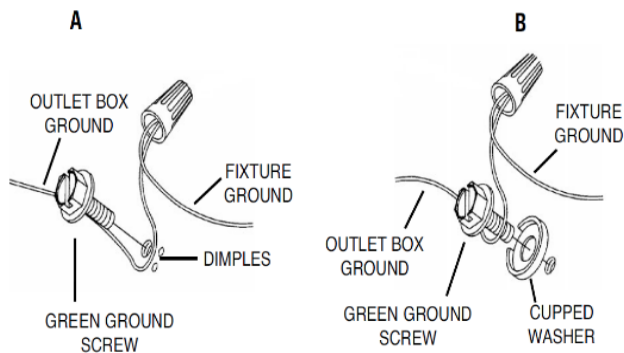
Step C5: If needed, cut off the wires length of fixture.At this point,need take note of wires length should be available for the following mounting wires connection.the length measured from the top of single bar(B) is at least 6"

Step D 6: Make wire connections

Connect wires as below wires connecting shown. **TAKE NOTE OF YOUR COLOR OF FIXTURE ,NEVER CONNECT WIRES TO GROUND WIRES**

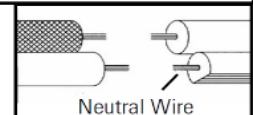
Connect ground wire according to below chart

Connect wires according to below chart



Connect Black or Red Supply Wire to:	Connect White Supply Wire to:
Black	White
*Parallel cord (round & smooth)	*Parallel cord (square & ridged)
Clear, Brown, Gold or Black without tracer	Clear, Brown, Gold or Black with tracer
Insulated wire (other than green) with copper conductor	Insulated wire (other than green) with silver conductor

\*Note: When parallel wires (SPT I & SPT II) are used. The neutral wire is square shaped or ridged and the other wire will be round in shape or smooth (see illus.)



Twist plastic wire connector(A) until wires are tightly joined together,wrap each connector with approved electrical tape for more secure connection and carefully stuff all wires into the outlet box

Step C7: Raise canopy (G) to ceiling and secure canopy (G) in place by tightening collar ring (J) onto collar loop (H)

Step C8: Adjust arms to their proper positions

Install bulbs (Not included. Please do not exceed the maximum capacity recommended on the socket.)

**5. Check everything already is installed properly, then you could turn on the light.**

#### CLEANING

To clean, wipe fixture with a soft cloth. Do not use abrasive materials such as scouring pads or powders, steel wool or abrasive paper.

#### ORDERING PARTS

Keep this sheet for future reference, and in case you need to order replacement parts. All parts for this fixture can be ordered from place of purchase. Be sure to use exact wording from illustration when ordering parts.