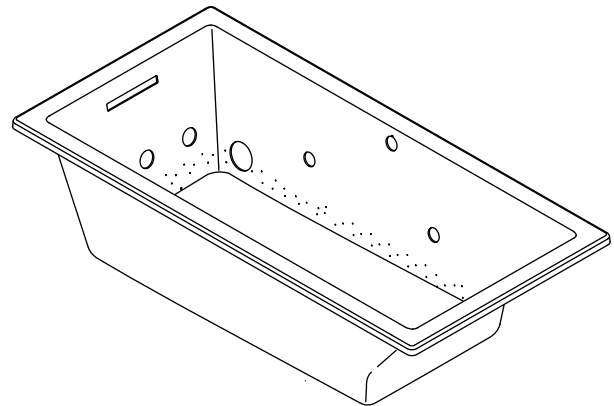


BUBBLEMESSAGE™ WHIRLPOOL BATH K-1167-XH2G

Features

- Acrylic
- Drop-in or under-mount installation
- Slotted overflow for maximum bathing depth
- Blower motor with 300 W heater and electronic user and back-lit user control
- 122 BubbleMassage airjets
- With Zones of Control™ feature
- Eight Flexjet® whirlpool jets
- Variable speed pump with 1.5 kW heater and back-lit user control
- Molded lumbar support for comfort
- Reversible drain
- Less all trim
- 60" (1524 mm) x 30" (762 mm) x 19" (483 mm)



Codes/Standards Applicable

Specified model meets or exceeds the following:

- ASTM E162
- ASTM E662
- UL 1795
- CSA B45.5/IAPMO Z124
- CSA C22.2 No 218.2
- ASME A112.19.7/CSA B45.10

Colors/Finishes

- 0: White
- CP: Polished Chrome
- PB: Vibrant® Polished Brass
- NA: None applicable
- Other: Refer to Price Book for additional colors/finishes

Specified Model

Model	Description	Colors/Finishes	
K-1167-XH2G	BubbleMassage whirlpool bath	<input type="checkbox"/> 0	<input type="checkbox"/> Other_____

Required Accessories			
K-7271	Clearflo slotted overflow brass bath drain OR	<input type="checkbox"/> CP	<input type="checkbox"/> PB <input type="checkbox"/> Other_____
K-7272	Clearflo slotted overflow bath drain – PVC pipe	<input type="checkbox"/> CP	<input type="checkbox"/> PB <input type="checkbox"/> Other_____

Optional Accessories			
K-531	Under-mount kit		<input type="checkbox"/> NA
K-1491	Pillow	<input type="checkbox"/> 0	<input type="checkbox"/> Other_____
K-1601	Footstop	<input type="checkbox"/> 0	<input type="checkbox"/> Other_____
K-9498	3" (76 mm) whirlpool keypad trim	<input type="checkbox"/> CP <input type="checkbox"/> PB	<input type="checkbox"/> Other_____

Product Specification

The acrylic BubbleMassage whirlpool bath shall be 60" (1524 mm) in length, 30" (762 mm) in width, and 19" (483 mm) in height. Bath shall be for drop-in or under-mount installation. Bath shall feature slotted overflow for maximum bathing depth. Bath shall have a blower motor with 300 W heater and electronic user and back-lit user control. Bath shall have variable speed pump with 1.5 kW heater and back-lit user control. Bath shall have 122 BubbleMassage airjets and eight Flexjet whirlpool jets. Bath shall have Zones of Control feature. Bath shall feature molded lumbar support for comfort, and reversible drain. Bath shall be less all trim. Bath shall be Kohler Model K-1167-XH2G-_____.

UNDERSCORE®

Technical Information

Fixture*:	
Bathing well:	
Basin area, bottom	42-3/8" (1076 mm) x 20" (508 mm)
Basin area, top	54-3/8" (1381 mm) x 24-5/16" (618 mm)
Weight	155 lbs (70.3 kg)
To overflow:	
Water depth	15-1/16" (383 mm)
Capacity	59.8 gal (226 L)
* Approximate measurements for comparison only.	
	V Hz A
Blower - variable speed	220-240 50/60 5
Pump heater - variable speed	220-240 50/60 11
Drop-in cutout	59-1/2" (1511 mm) x 29-1/2" (749 mm)

Required Electrical Service

Single dedicated circuit required, protected with Class A Ground-Fault Circuit-Interrupter (GFCI) or Residual Current Device (RCD):

Blower/pump/heater	220-240 V, 20 A, 50/60 Hz
--------------------	---------------------------

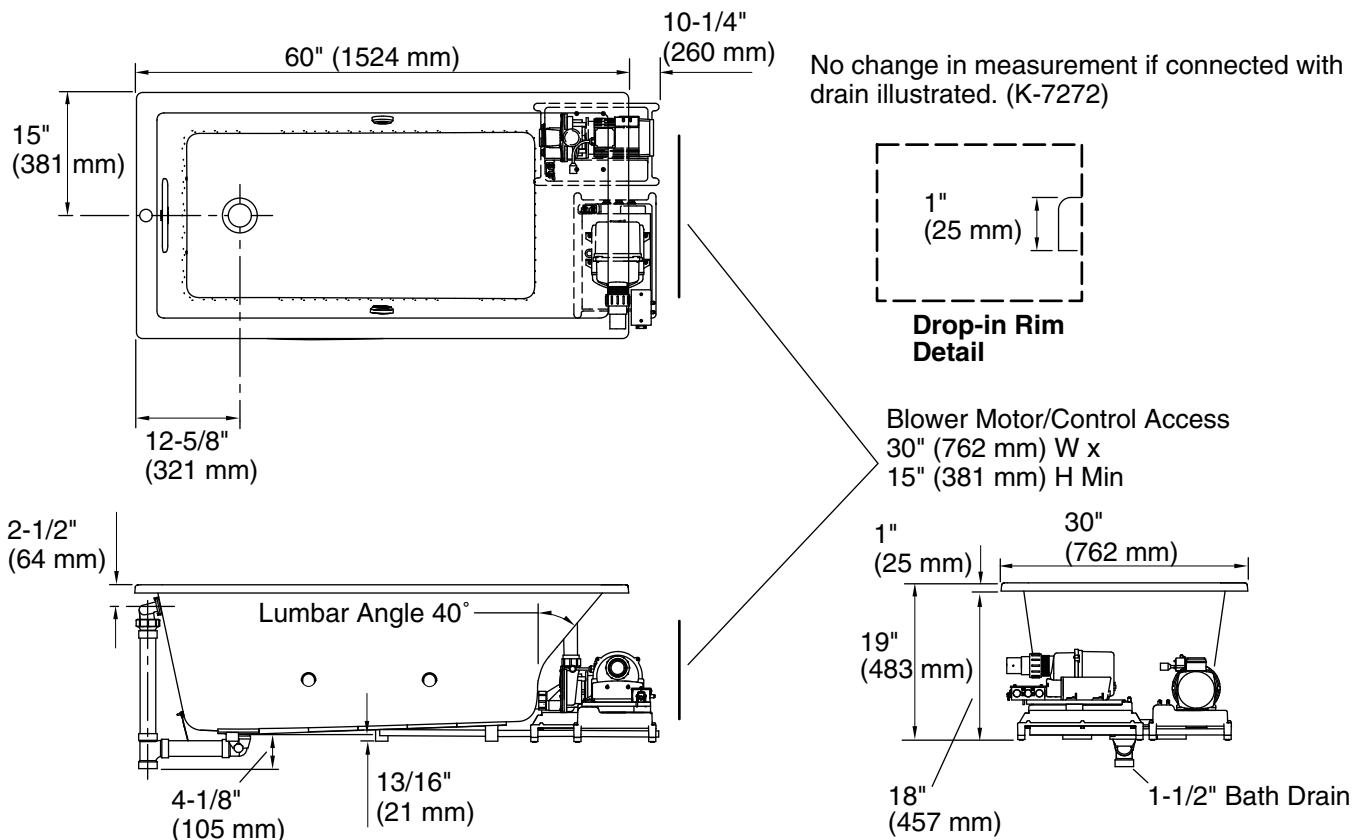
Installation Notes

IMPORTANT! Install this product according to the installation guide. The pump base extends 10-1/4" (260 mm) beyond the edge of the rim. Modify the framing as needed.

IMPORTANT! Dry fit the drain assembly prior to installing the bath. The bath cannot be installed with all drain components attached.

Floor support under bath must provide for a minimum of 53.6 lbs/square foot (261.7 kg/square meter) loading.

Hot water supply should be 70% of capacity or greater. Installations will vary.



Product Diagram