
GENERATION LIGHTING WALL

GENERAL PRODUCT INFORMATION:

These fixtures are intended to be installed utilizing compliant junction boxes.

This product is safety listed for damp locations.

Incandescent version may be dimmed with a standard incandescent dimmer. LED version may be dimmed with a LED dimmer. Consult lamp manufacturer for additional information.

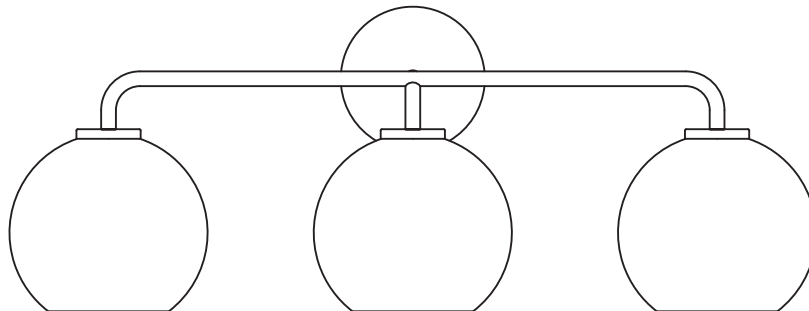
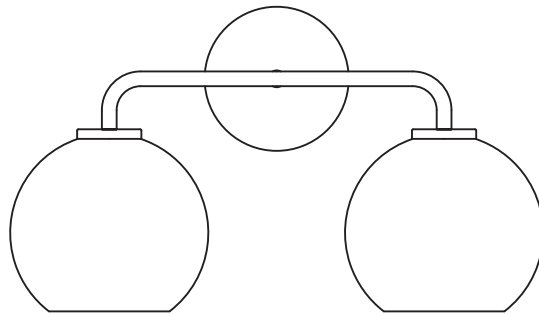
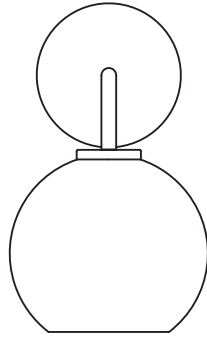
This instruction shows a typical installation.

CAUTION - RISK OF FIRE

This product must be installed in accordance with the applicable installation code by a person familiar with the construction and operation of the product and the hazards involved.

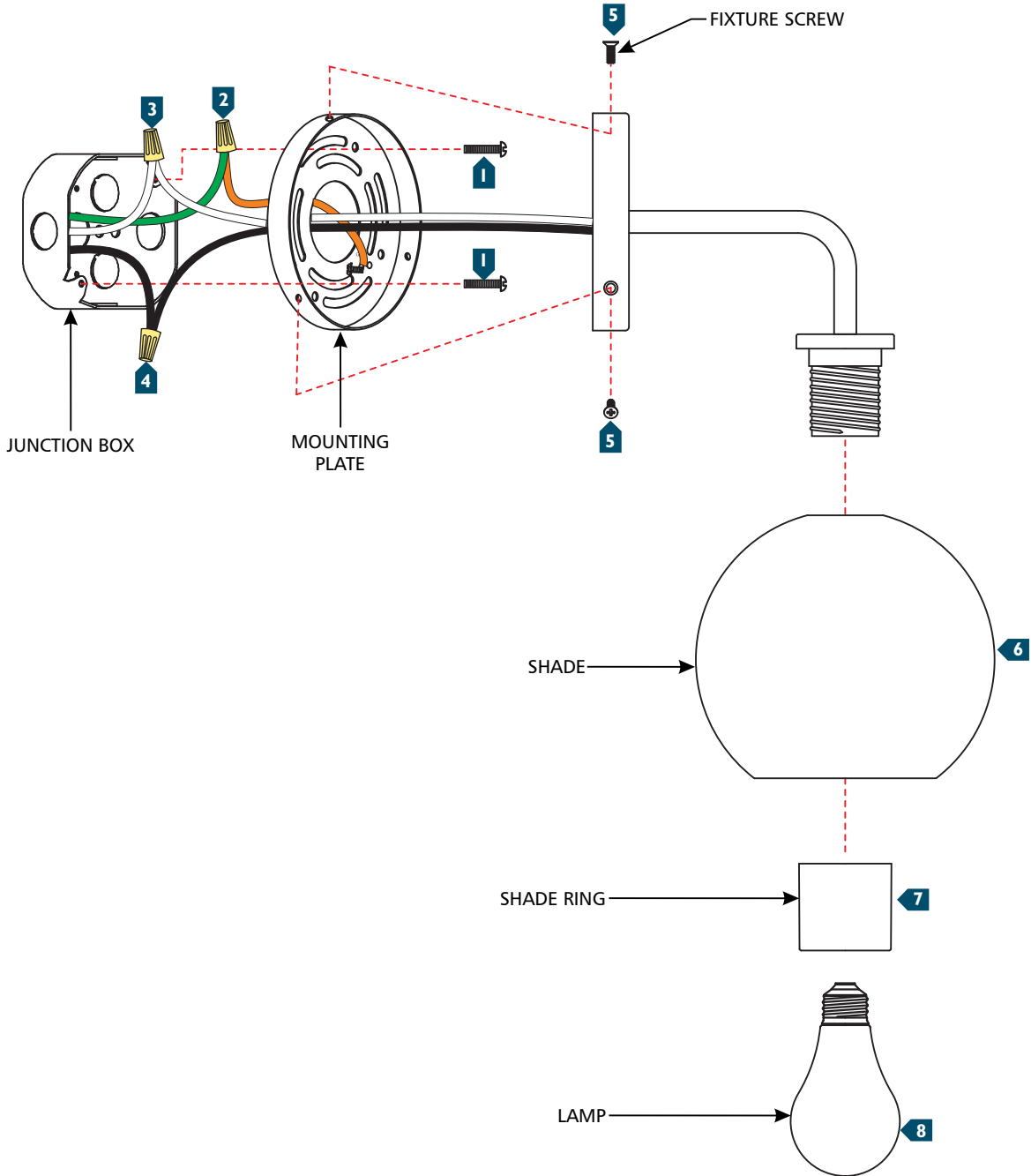
Use minimum 90°C supply conductors.

SAVE THESE INSTRUCTIONS!



Install the Fixture

IA



- 1** Install the mounting plate to the junction box.
- 2** Connect the fixture to a suitable ground in accordance to local electrical codes.
- 3** Connect the white fixture wire (square and/or rigid) to the neutral power line wire with a wire nut.
- 4** Connect the black fixture wire (round and/or smooth) to the hot power line wire with a wire nut.
- 5** Neatly place all the wires into the junction box, place the fixture base onto the mounting plate and secure it in place using the fixture screws.
- 6** Install the shade by placing it over the socket
- 7** Secure the shade in place by screwing the shade ring onto the socket. Repeat for remaining shades.
- 8** Screw the lamps into the sockets. Refer to the label on the socket for Max Wattage Information.