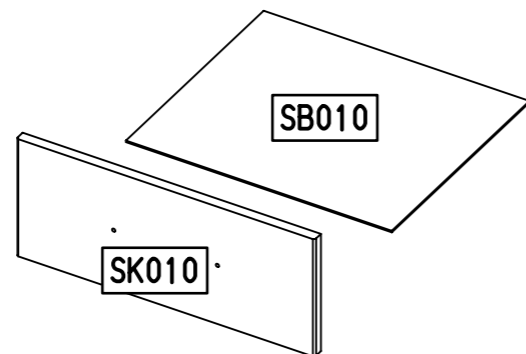
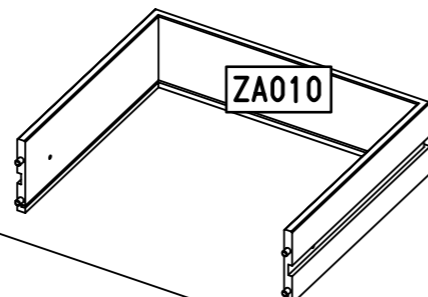
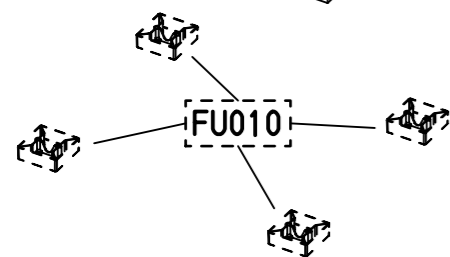
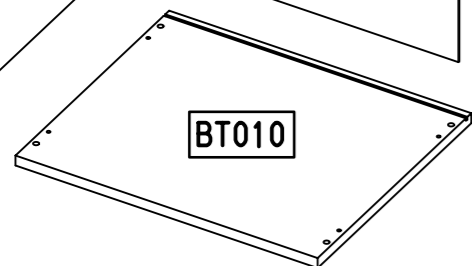
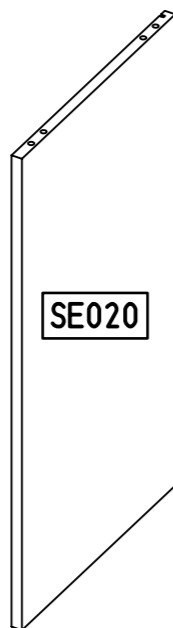
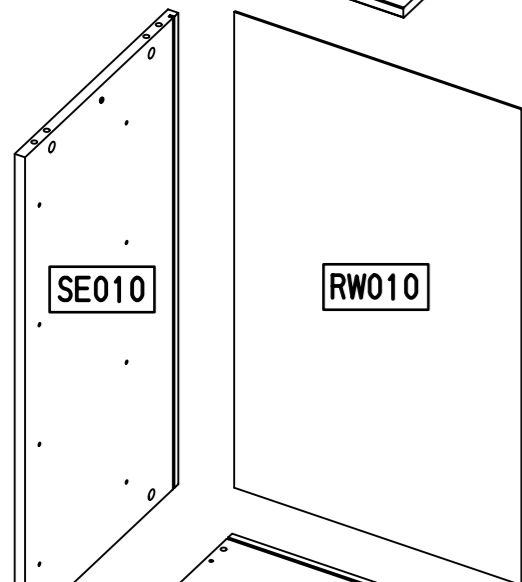
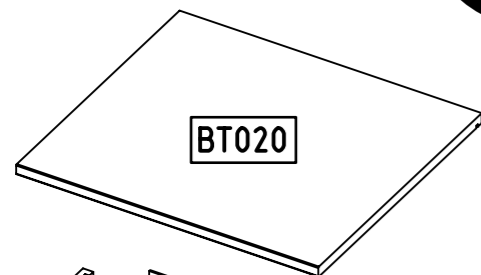
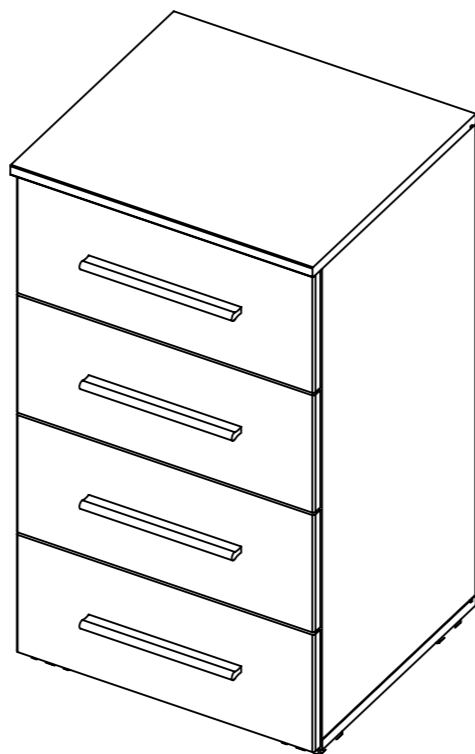
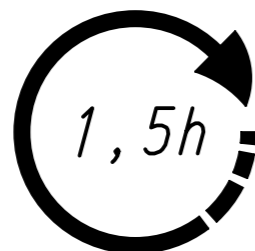
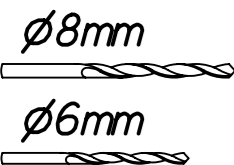
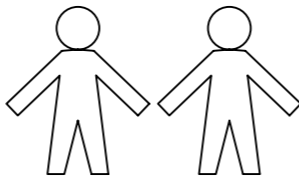
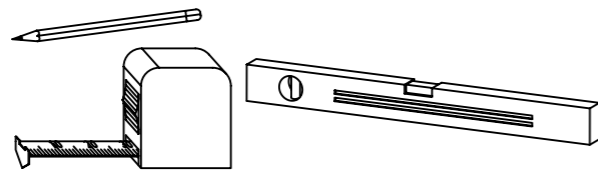
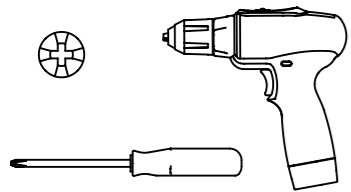


1.

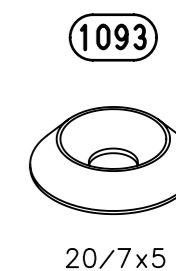
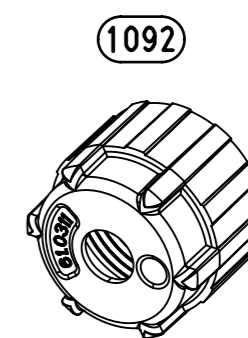
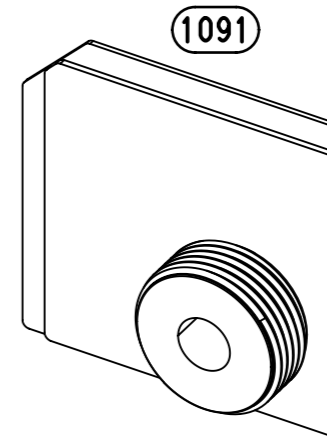
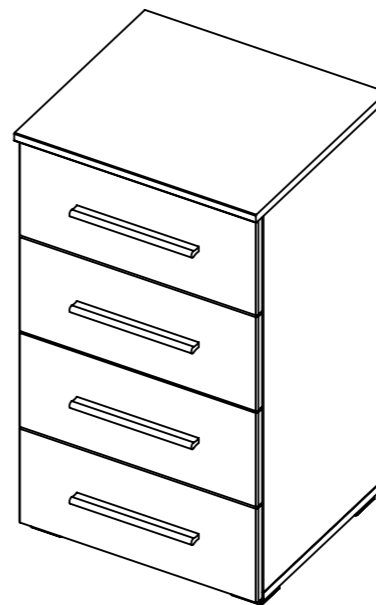
M2091\_03

rauch

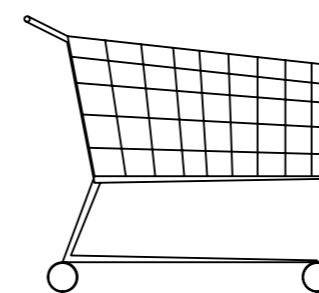
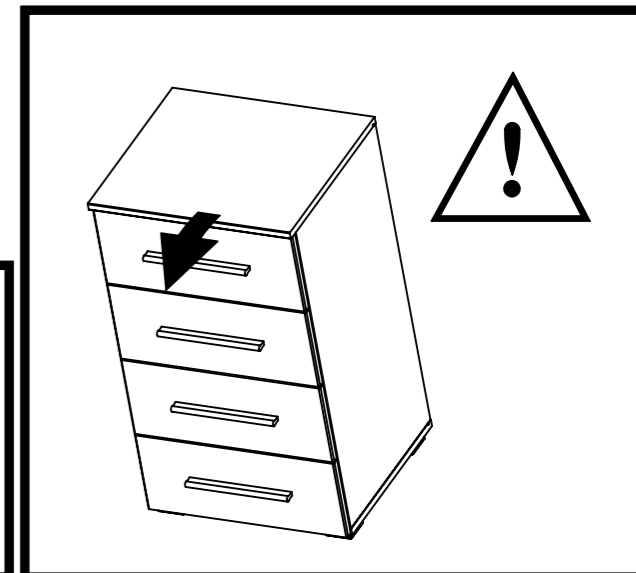
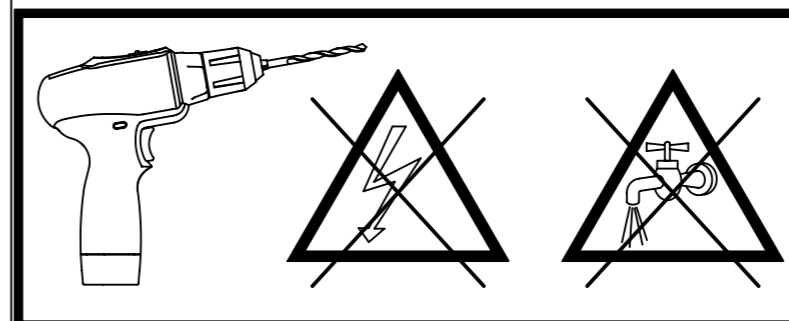
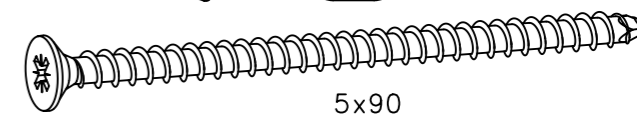


2.

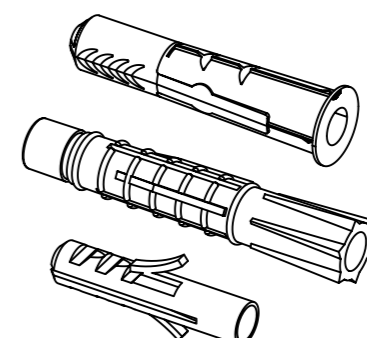
2x



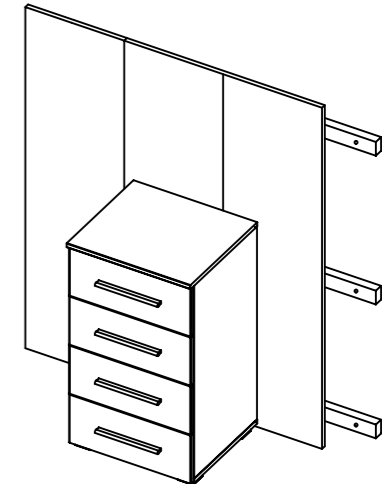
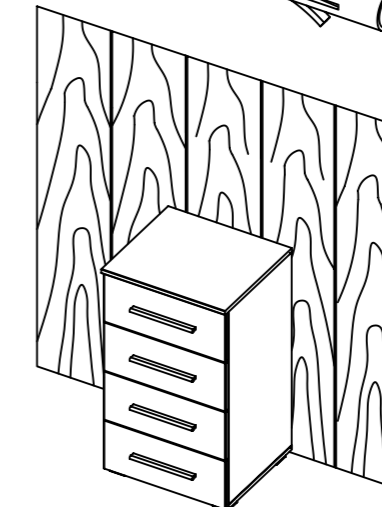
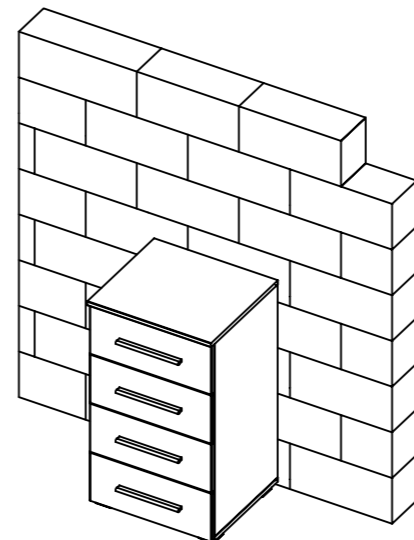
1147



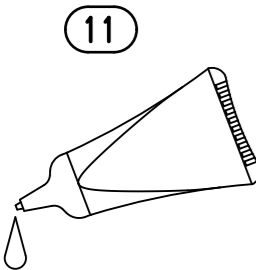
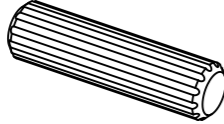
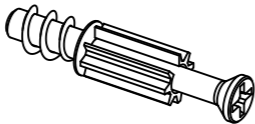

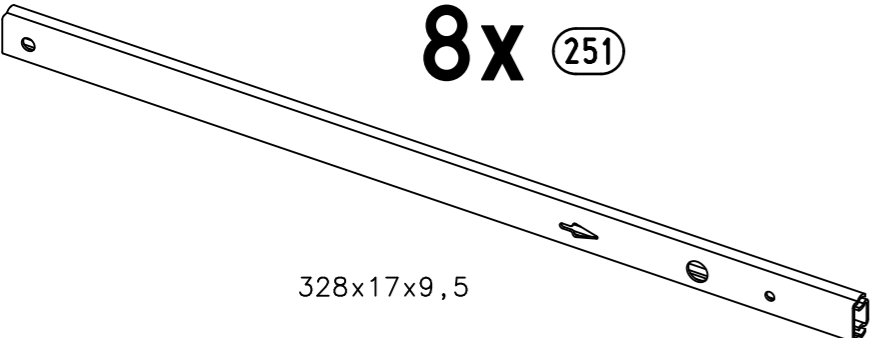


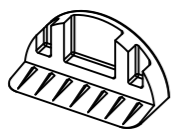
ø8mm

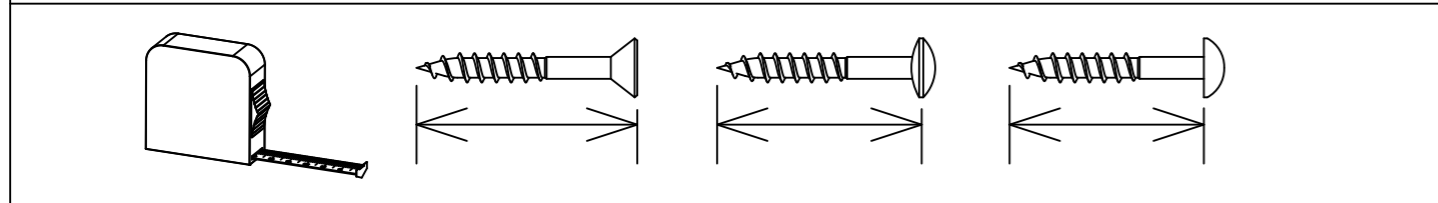
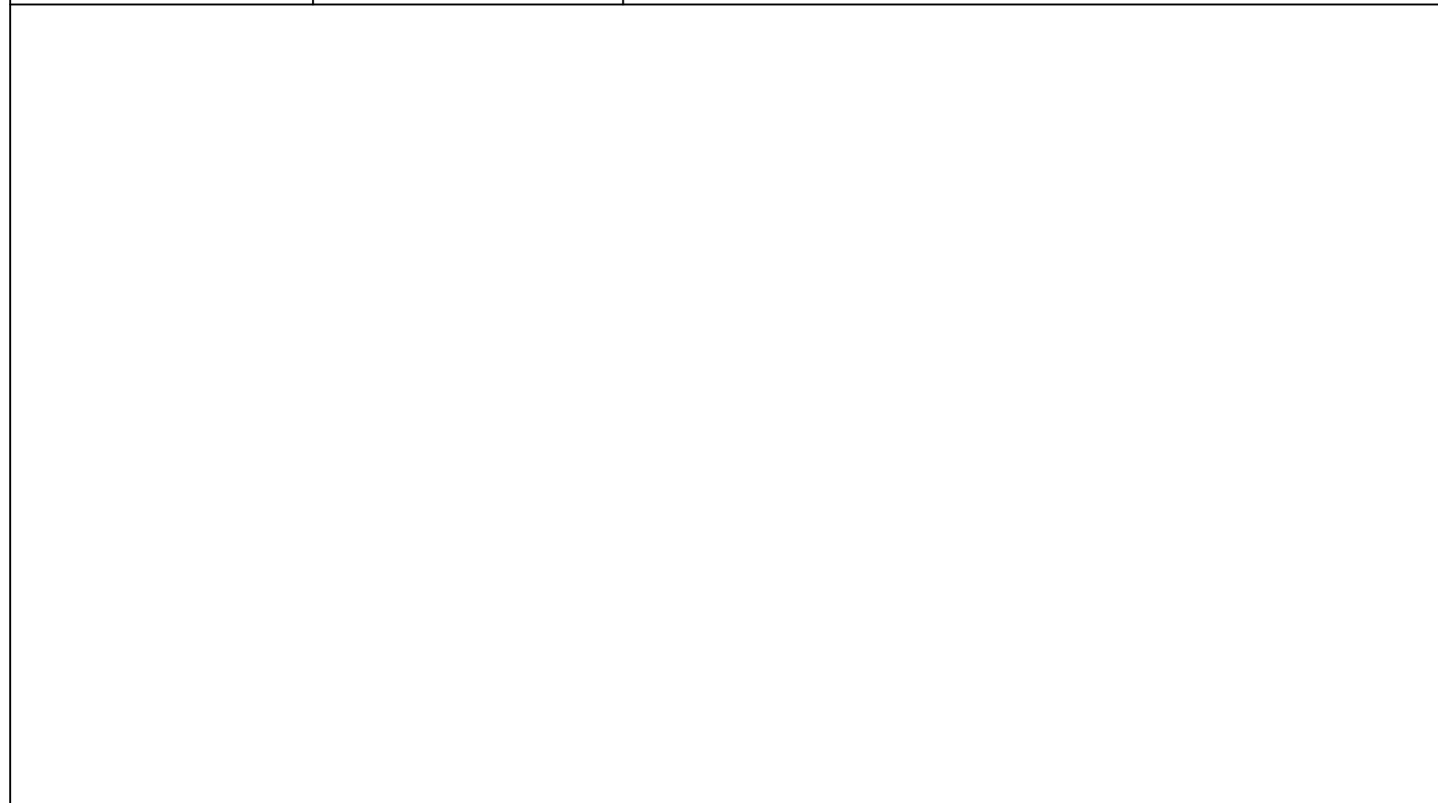


?



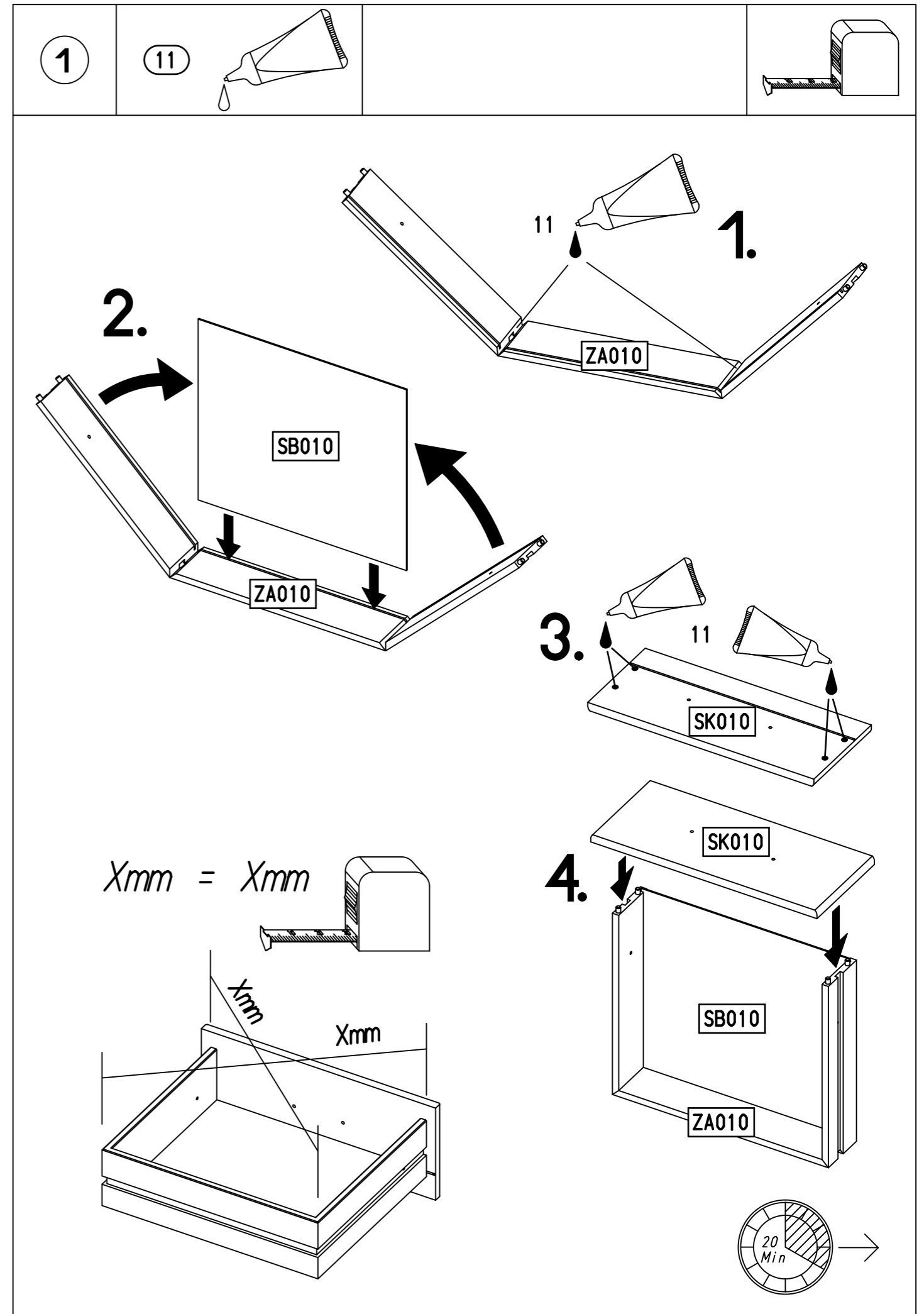
3.

 <p>11</p>	<p>8x 18</p>  <p>8x30</p>	<p>8x 183</p>  <p>23/10x7,5/6,5</p>	<p>16x 227</p>  <p>6x10,5</p>
<p>8x 251</p>  <p>328x17x9,5</p>		<p>8x 349</p> 	
<p>8x 568</p>  <p>M4x9</p>	<p>4x 1090</p> 		



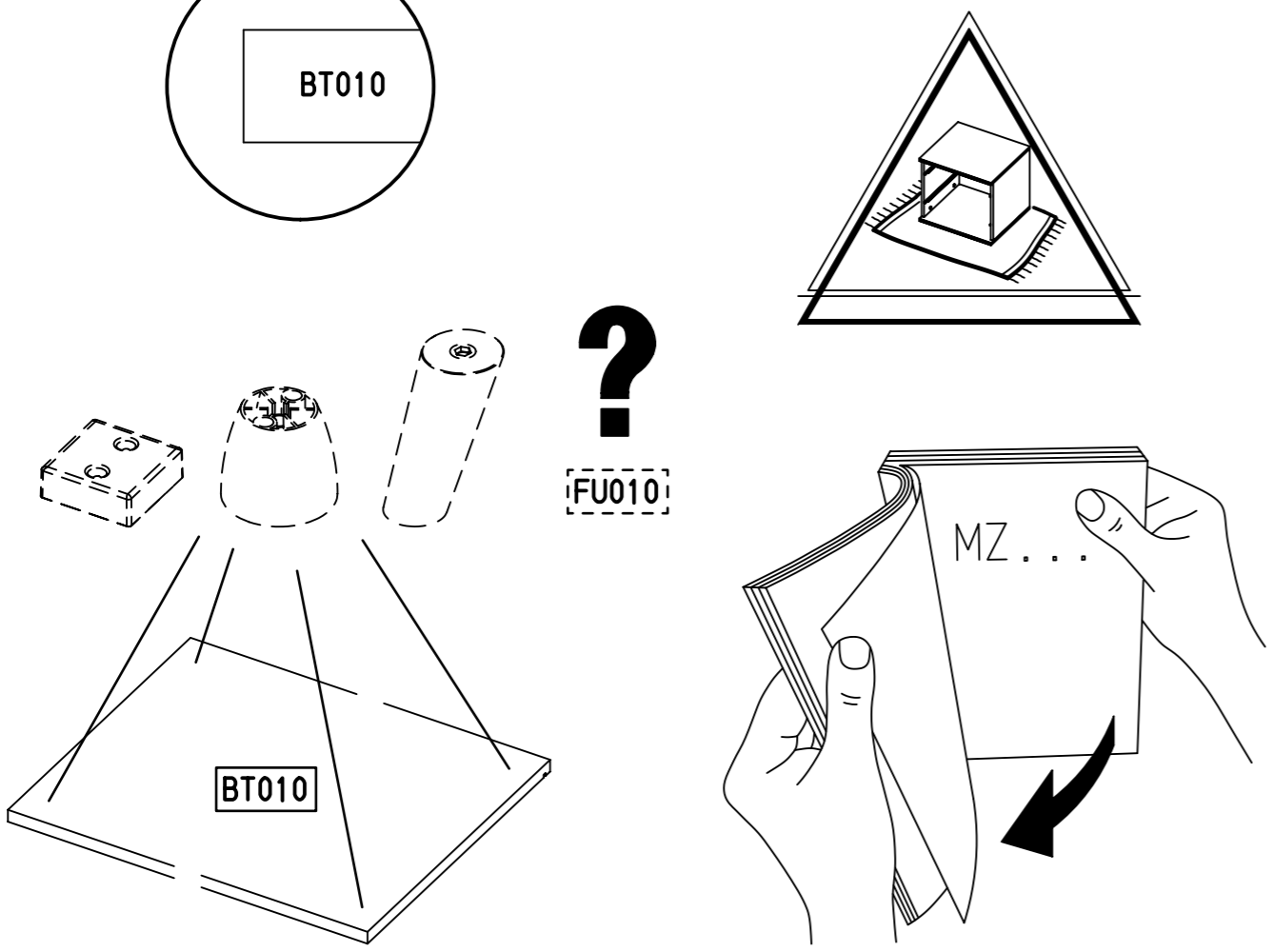
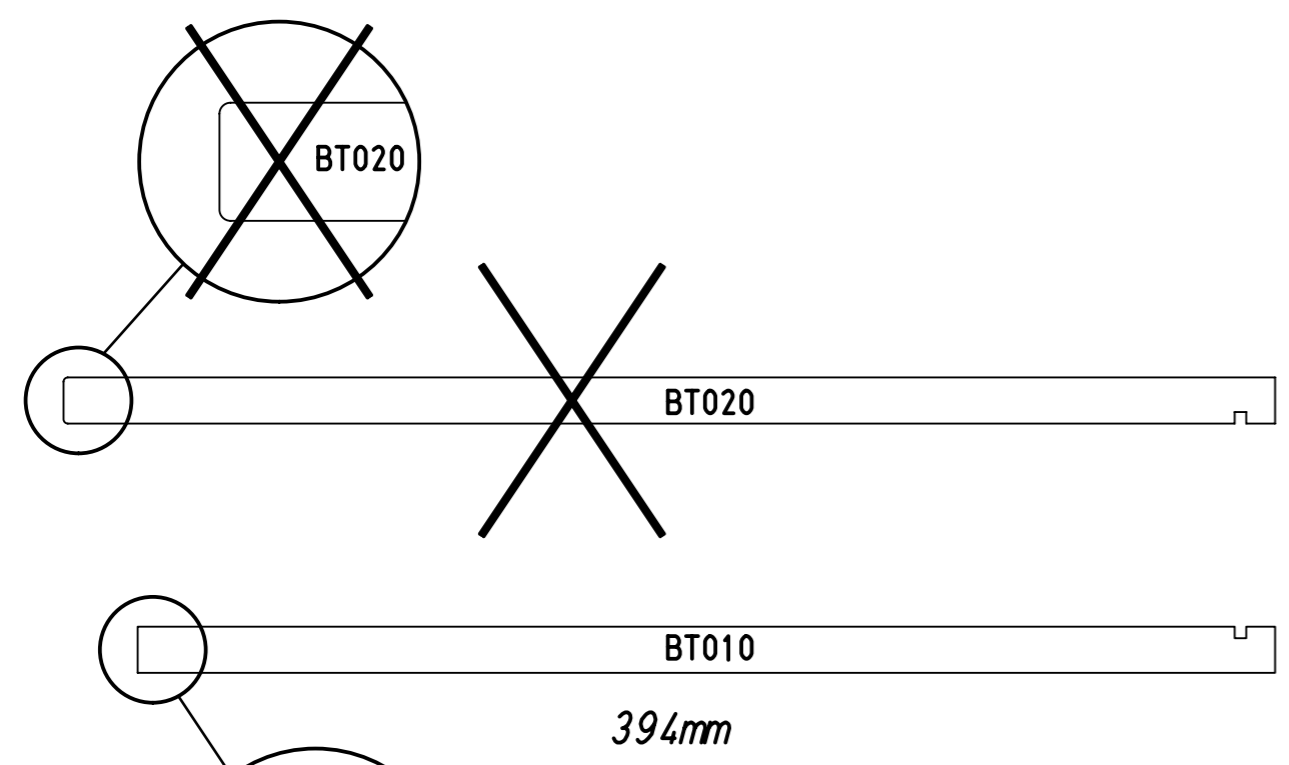
M2091

4.



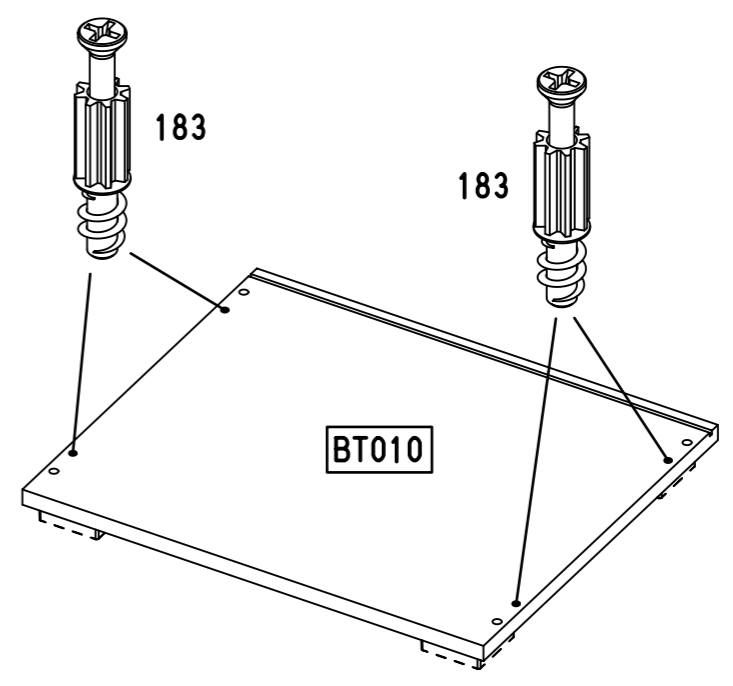
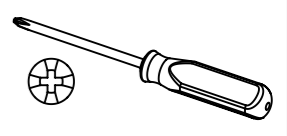
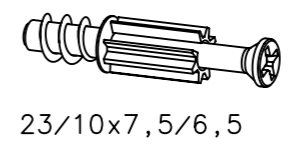
M2091

2



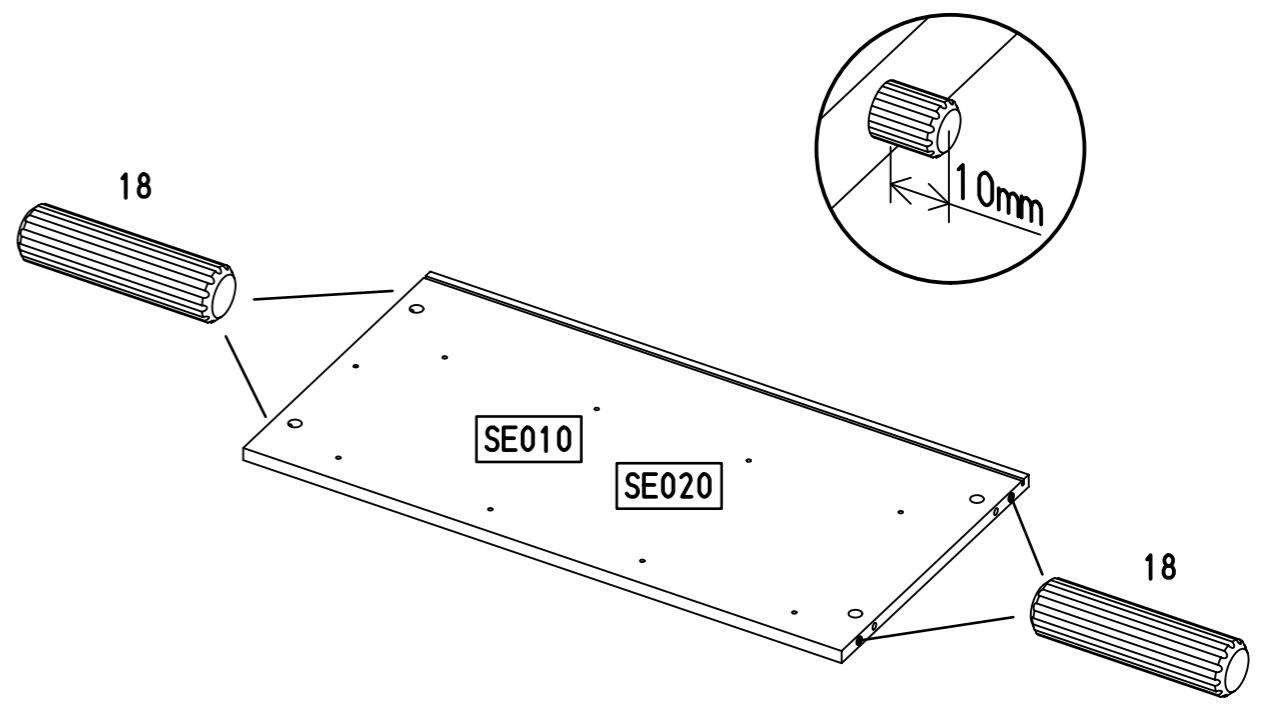
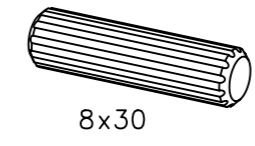
3

4x 183



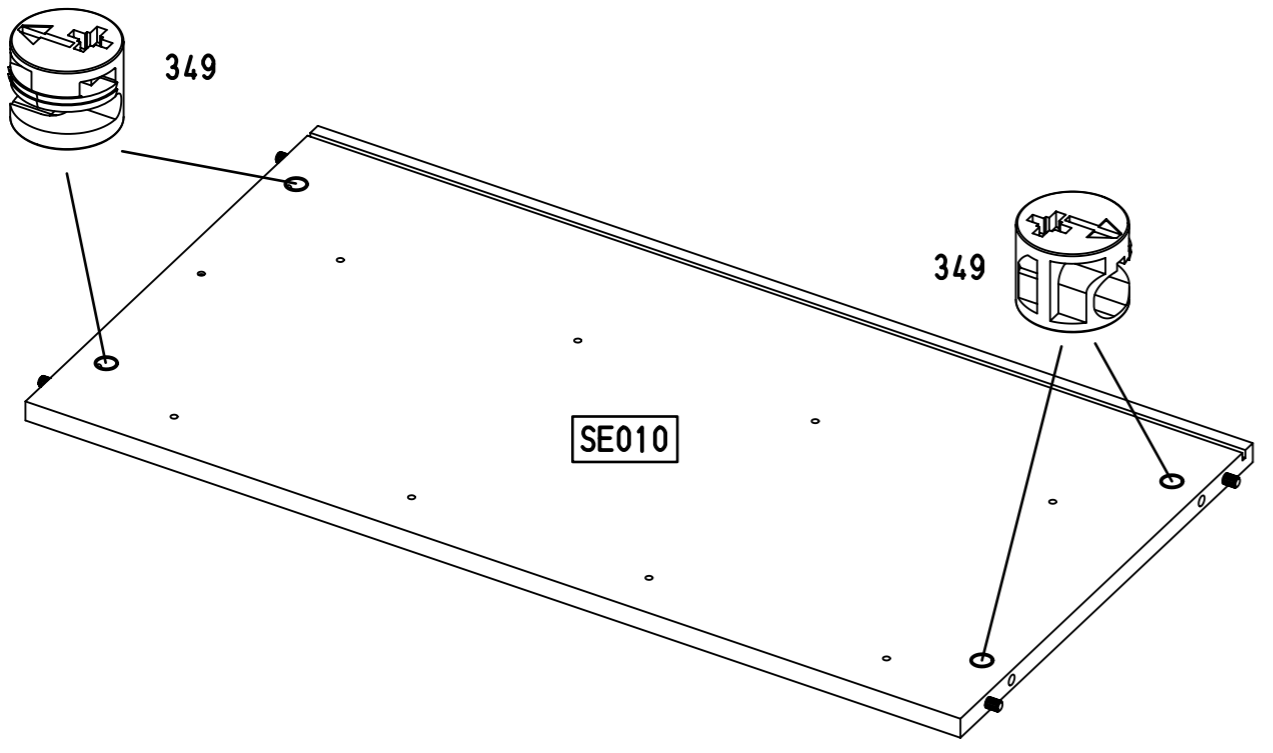
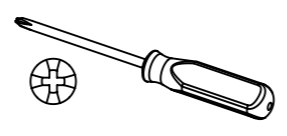
4

8x 18

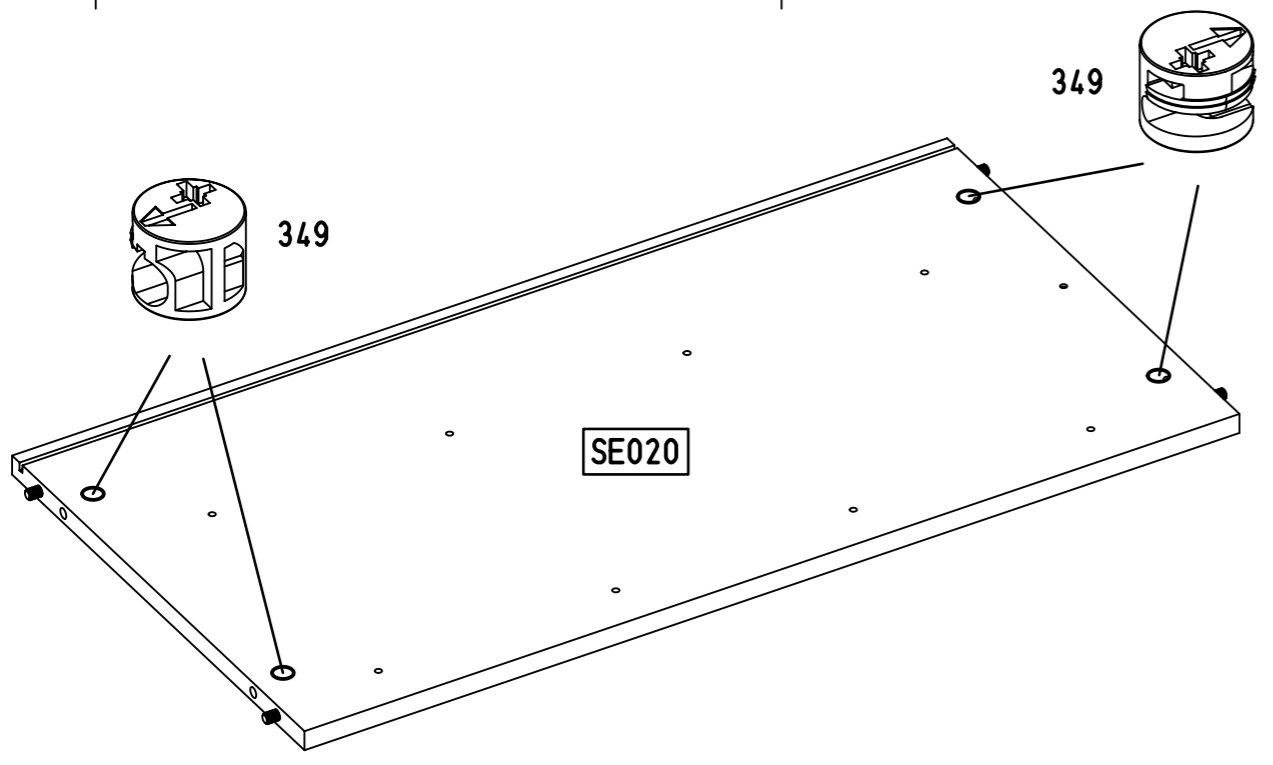
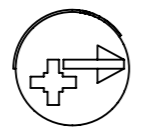
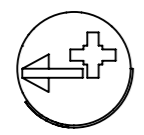


5

8x 349



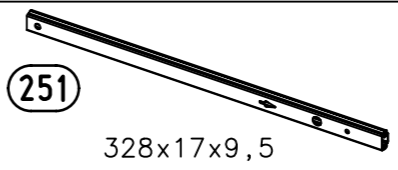
SE010



SE020

6

4x 251

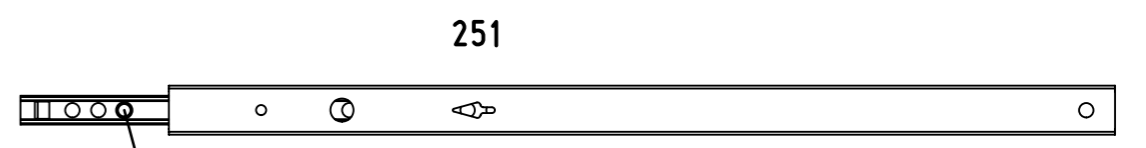
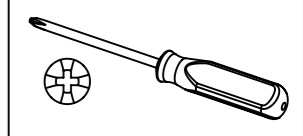


328x17x9,5

8x 227

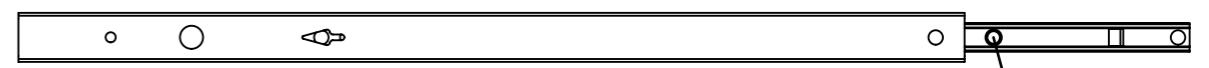


6x10,5



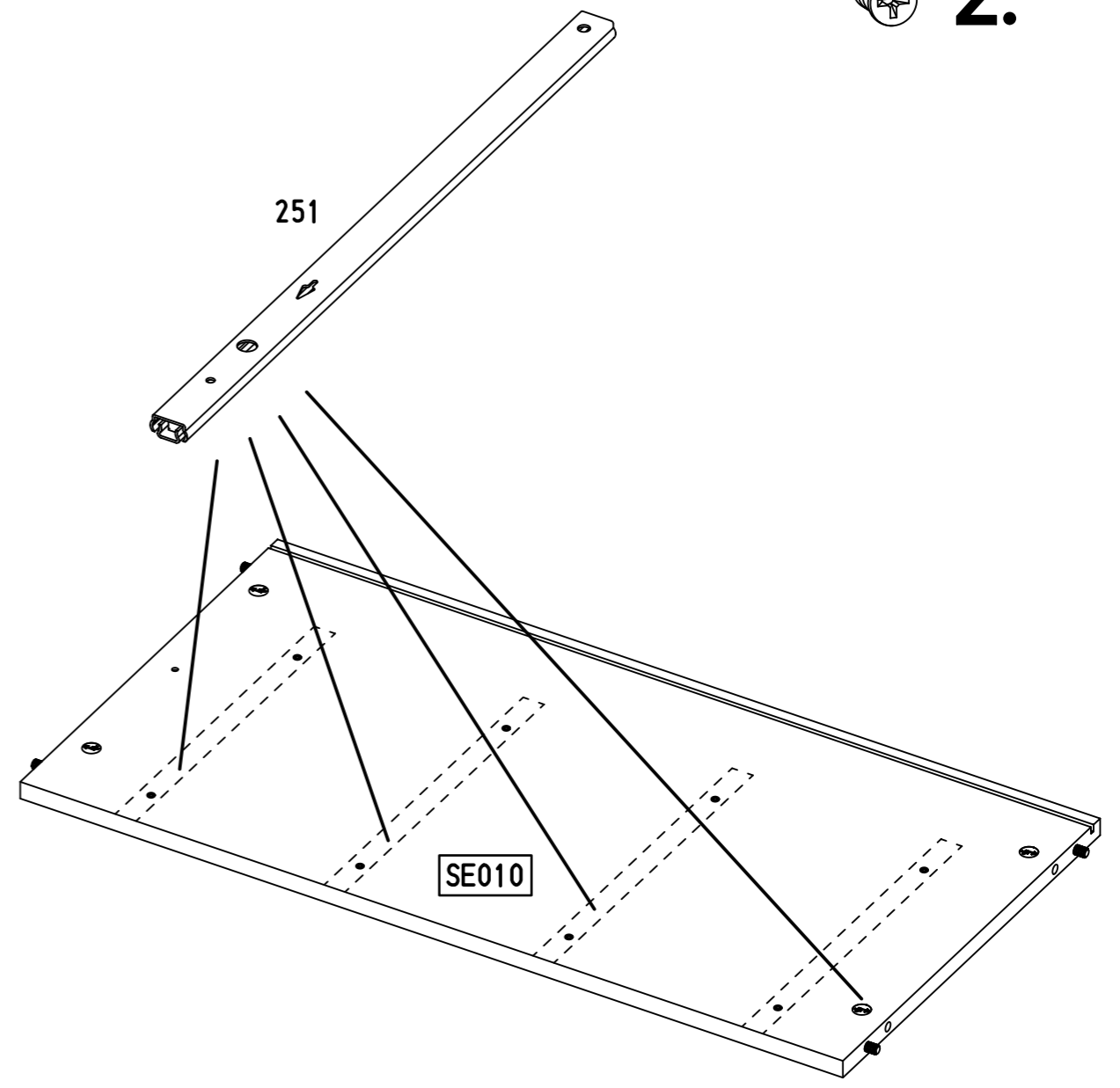
1.

227



227

2.

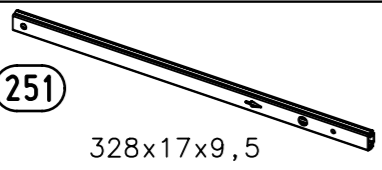


251

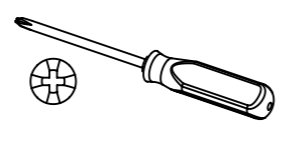
SE010

7

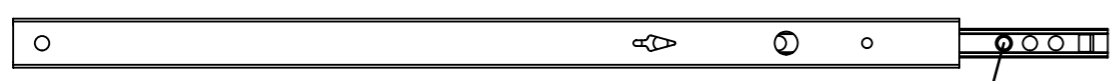
4x (251)  
328x17x9,5



8x (227)  
6x10,5

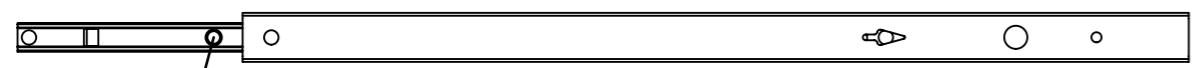


251

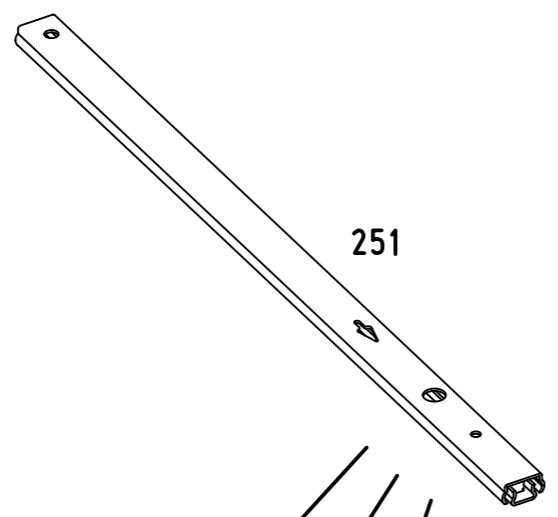


227 1.

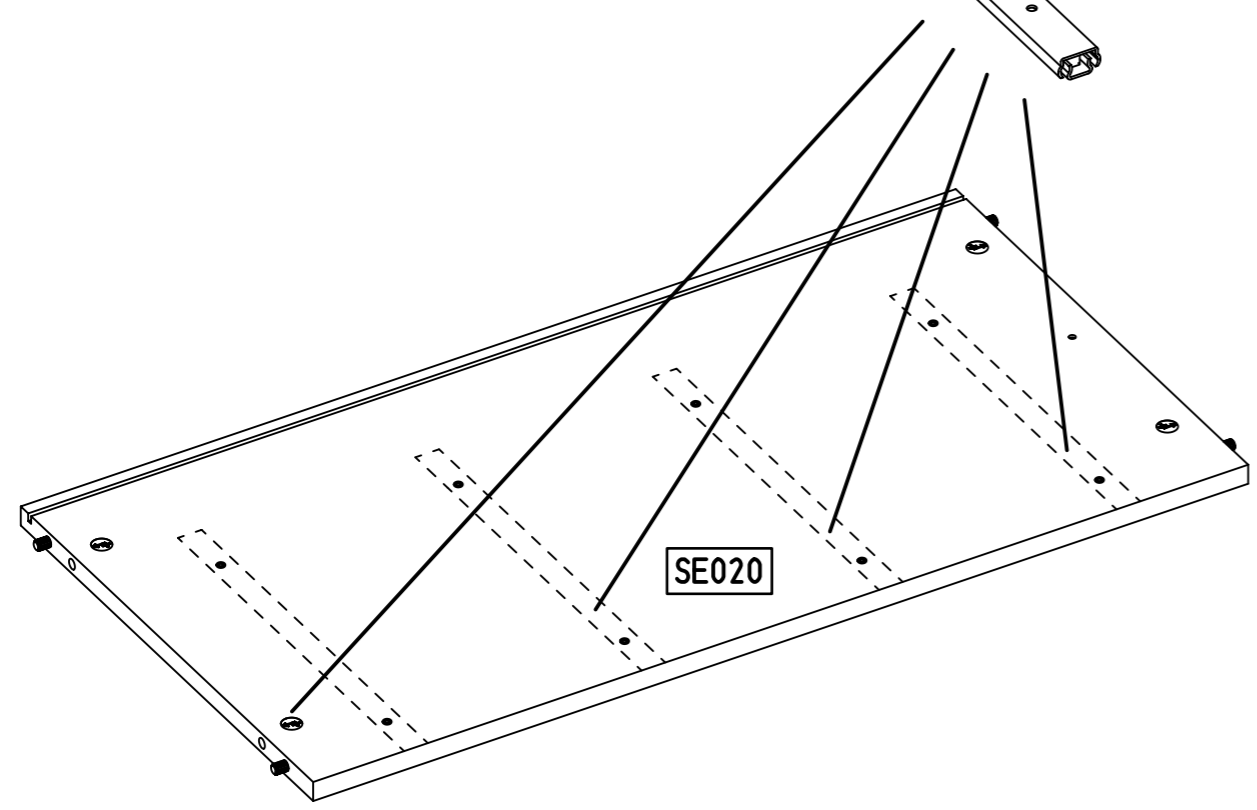
2. 227



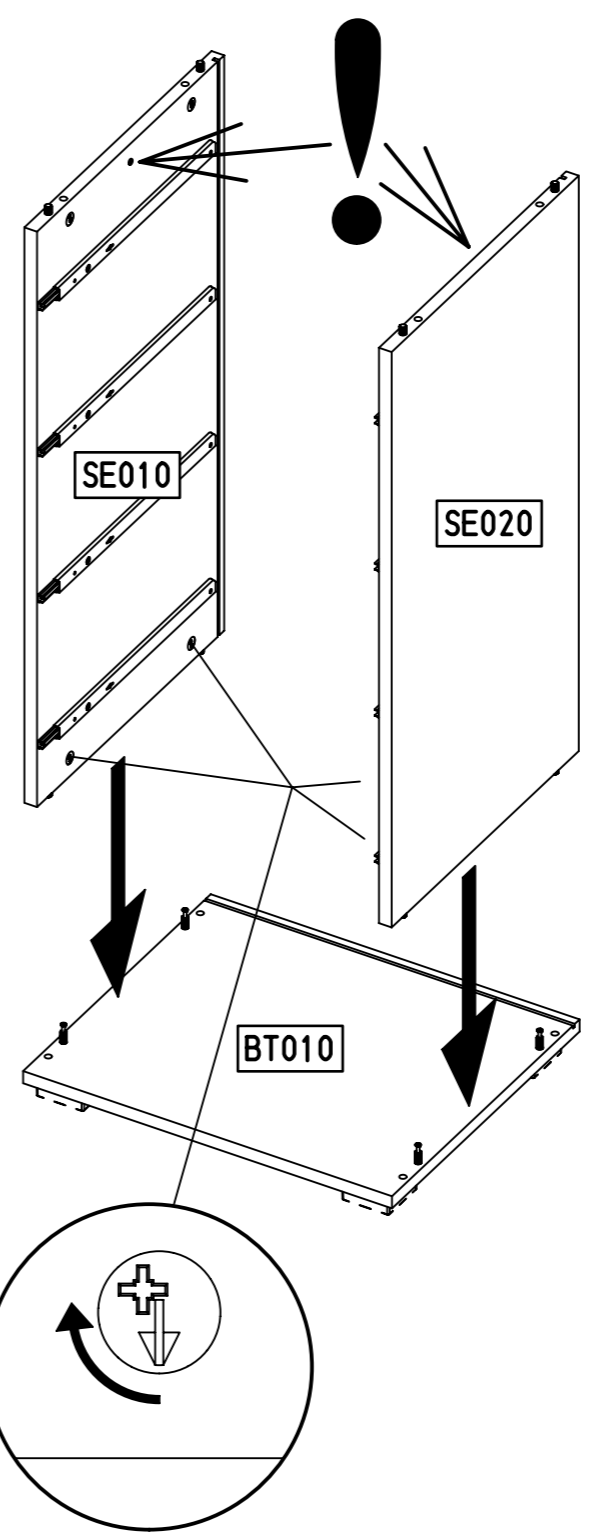
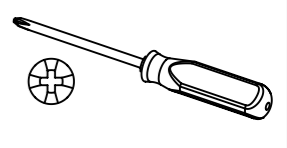
251



SE020



8



SE010

SE020

BT010

RW010

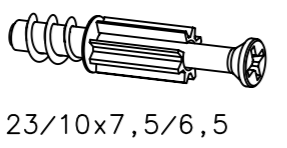
SE010

SE020

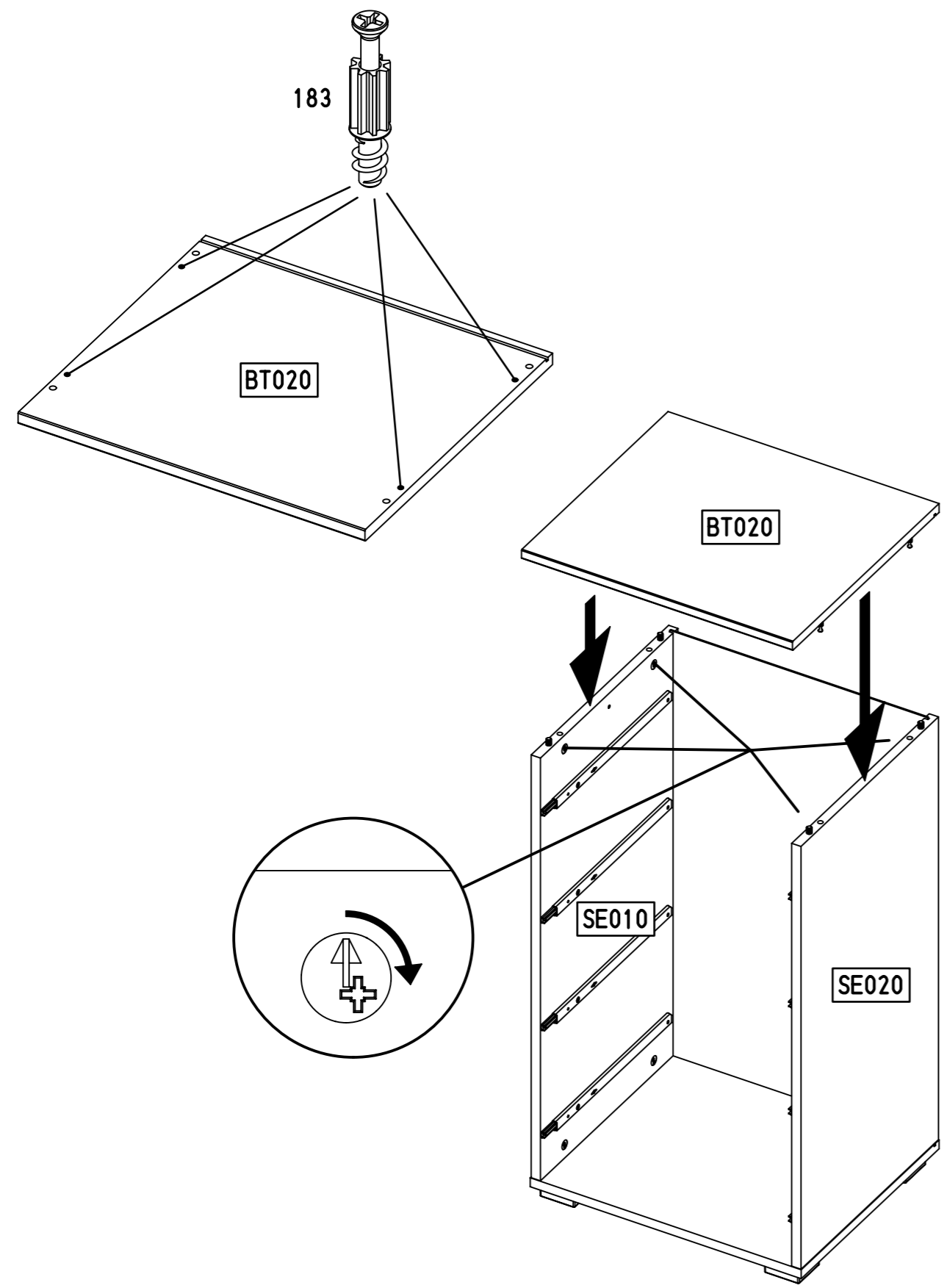
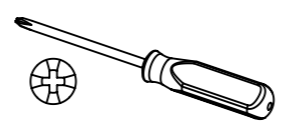
BT010

9

4x 183

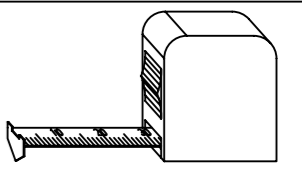
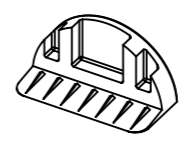


23/10x7,5/6,5

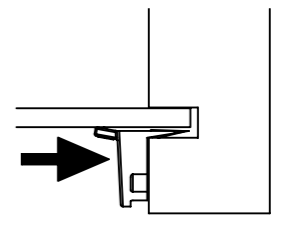
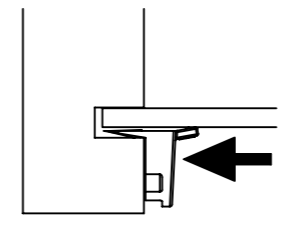
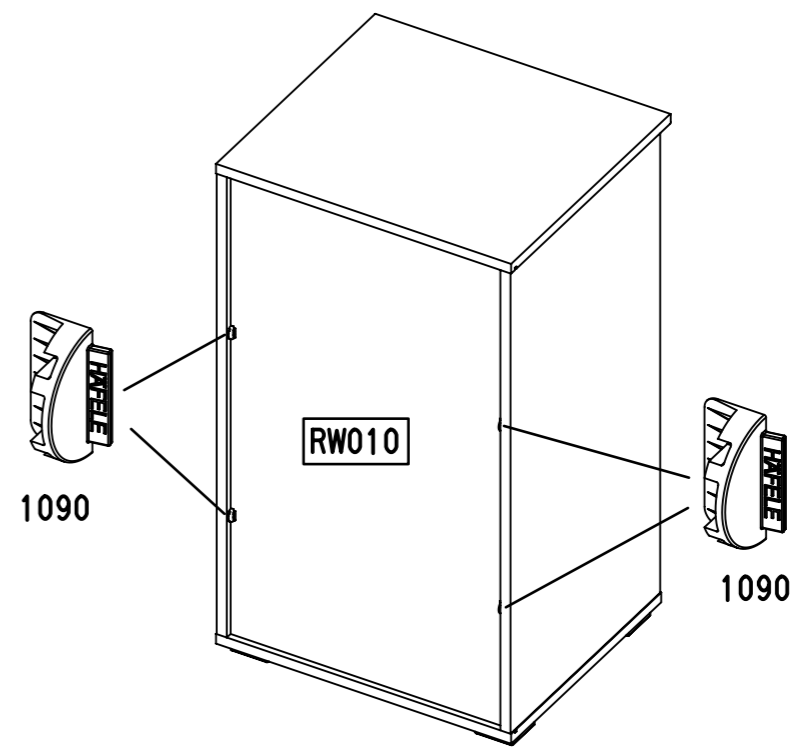
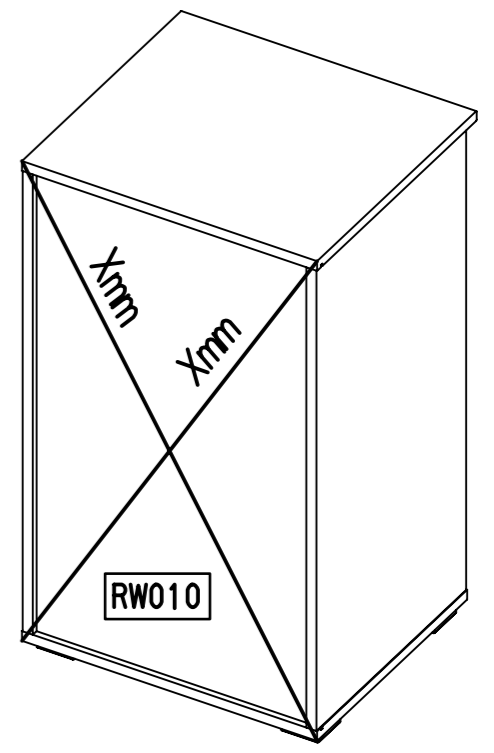
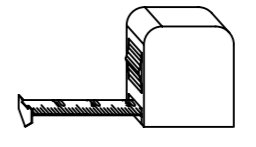
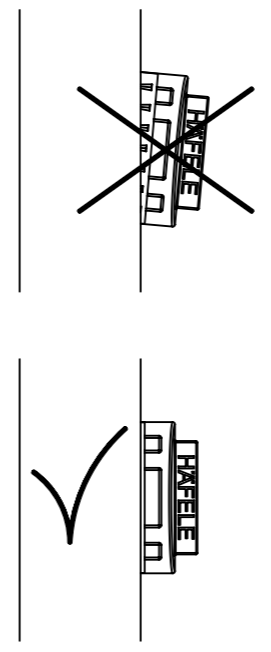


10

4x 1090

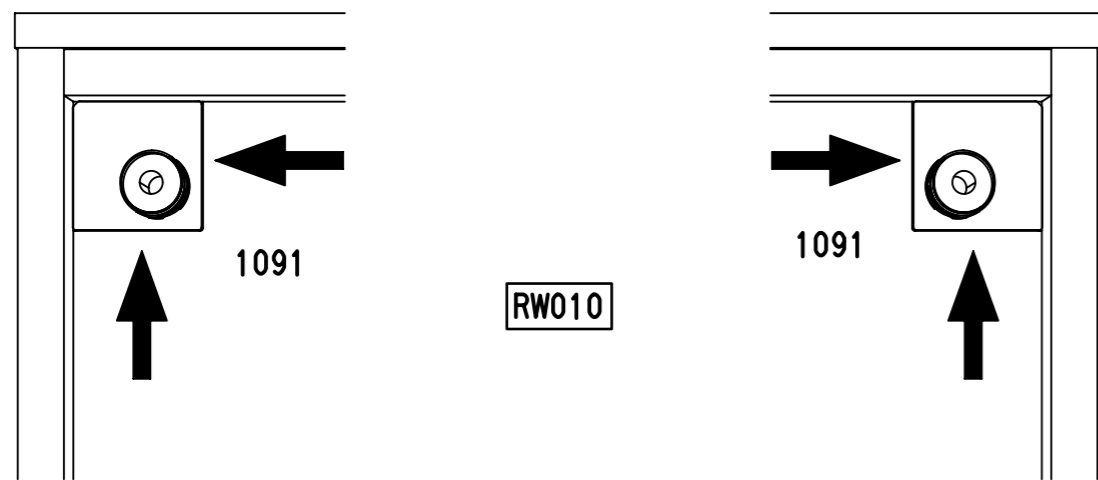
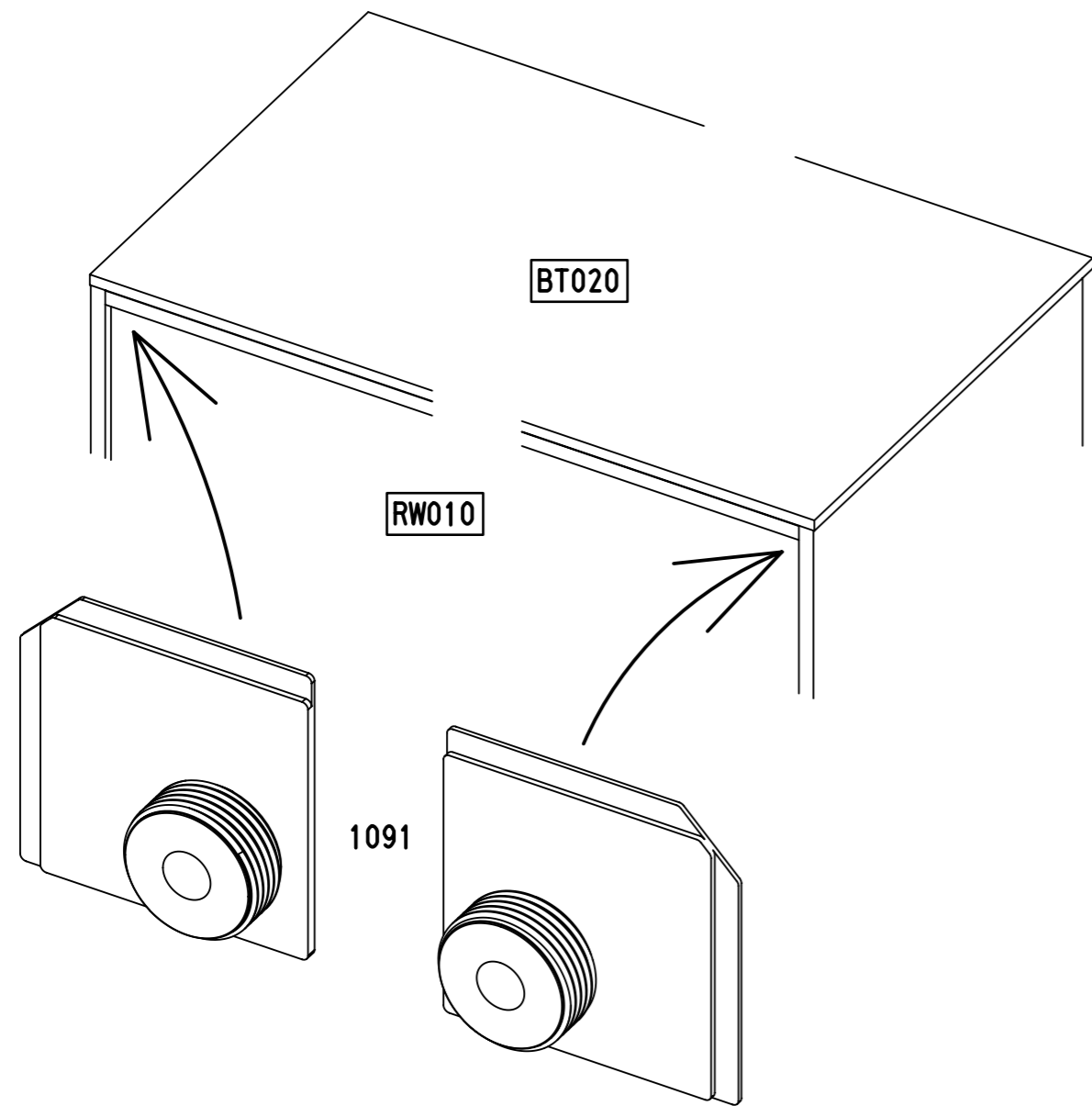
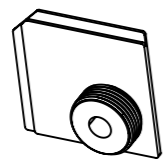


Xmm = Xmm



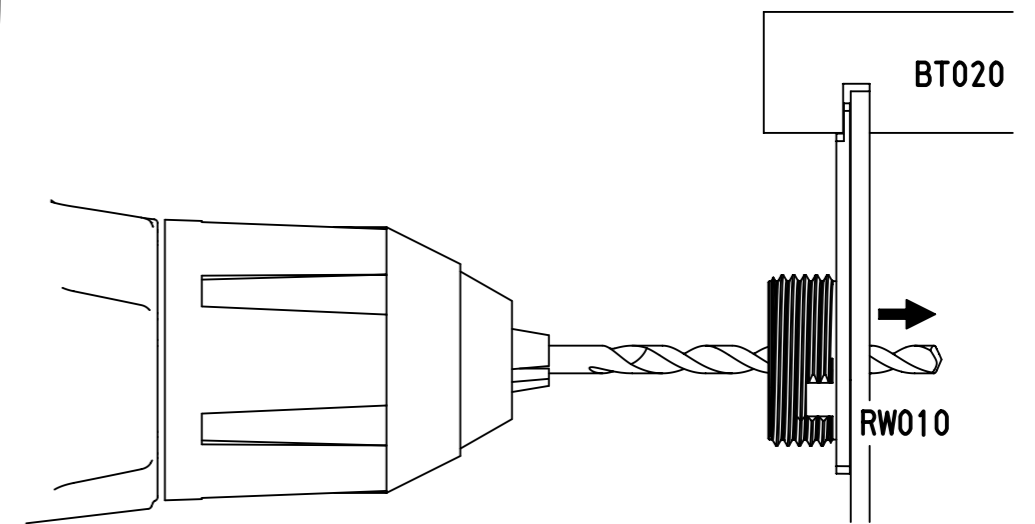
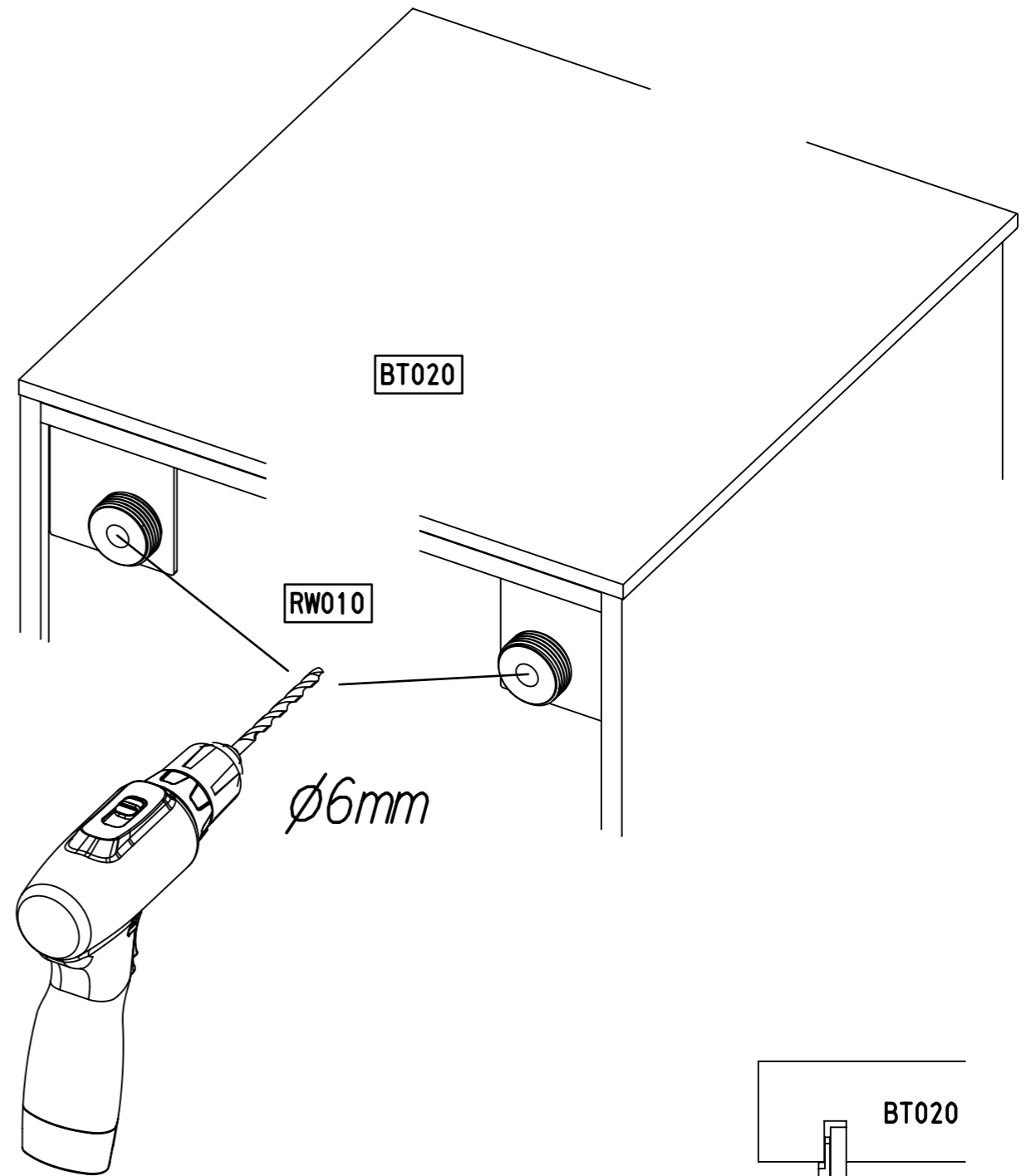
11

2x 1091



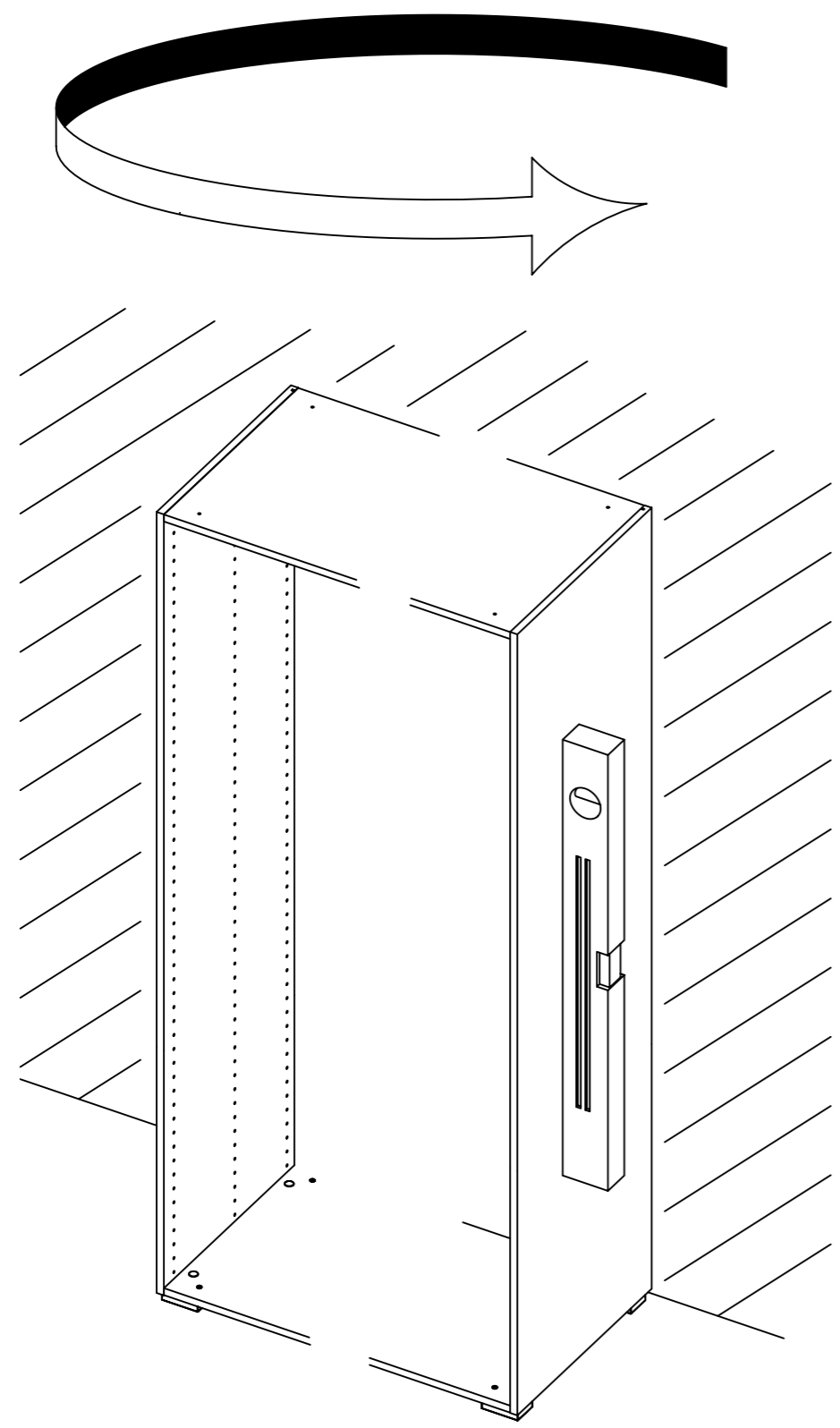
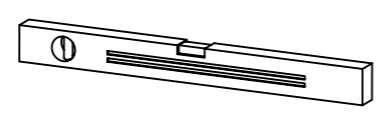
12

ø6mm



15.

13

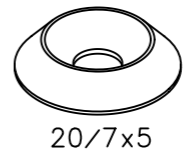


M2091

16.

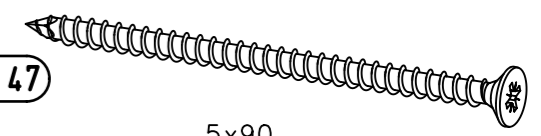
14

2x 1093

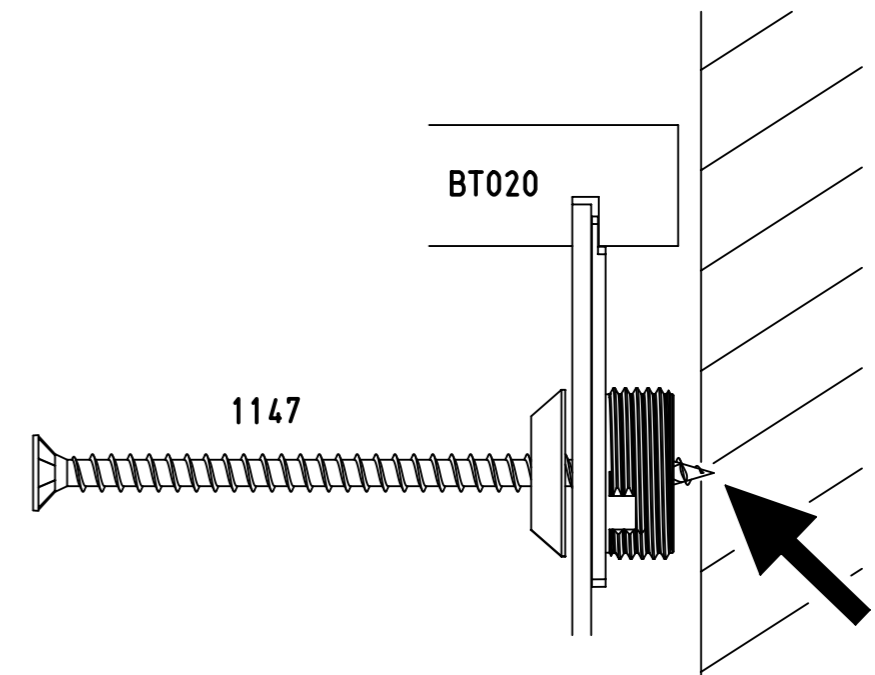
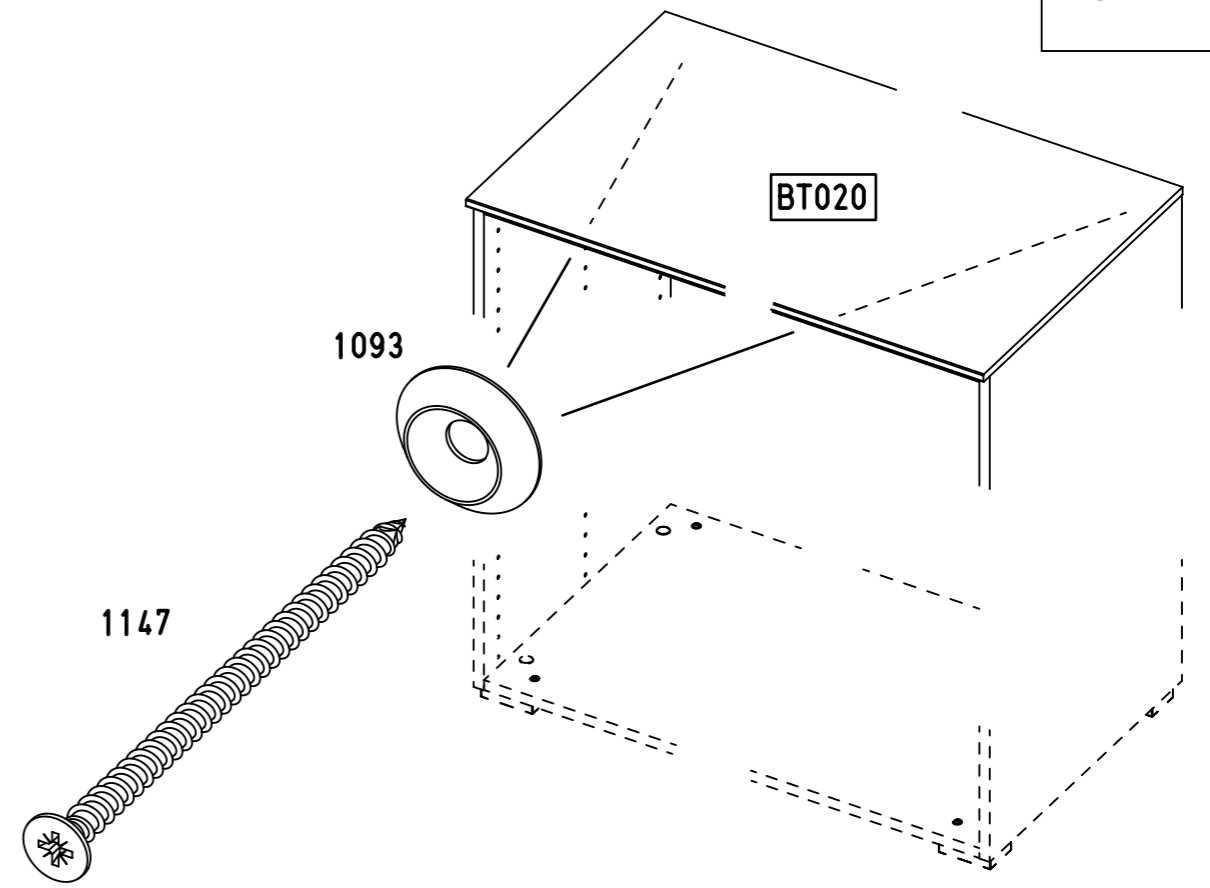
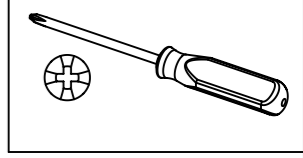


20/7x5

2x 1147

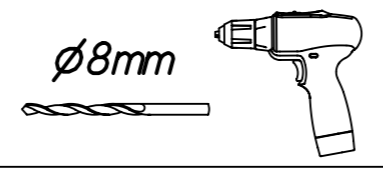


5x90

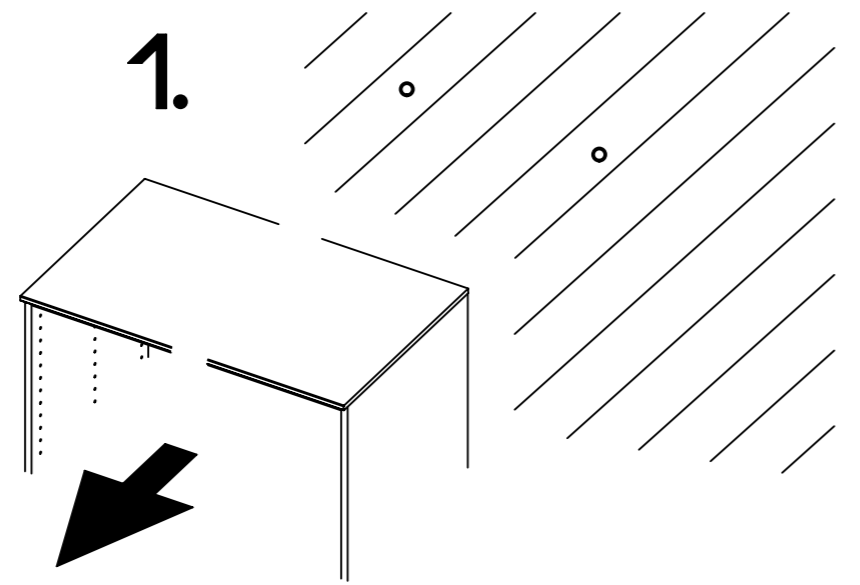


M2091

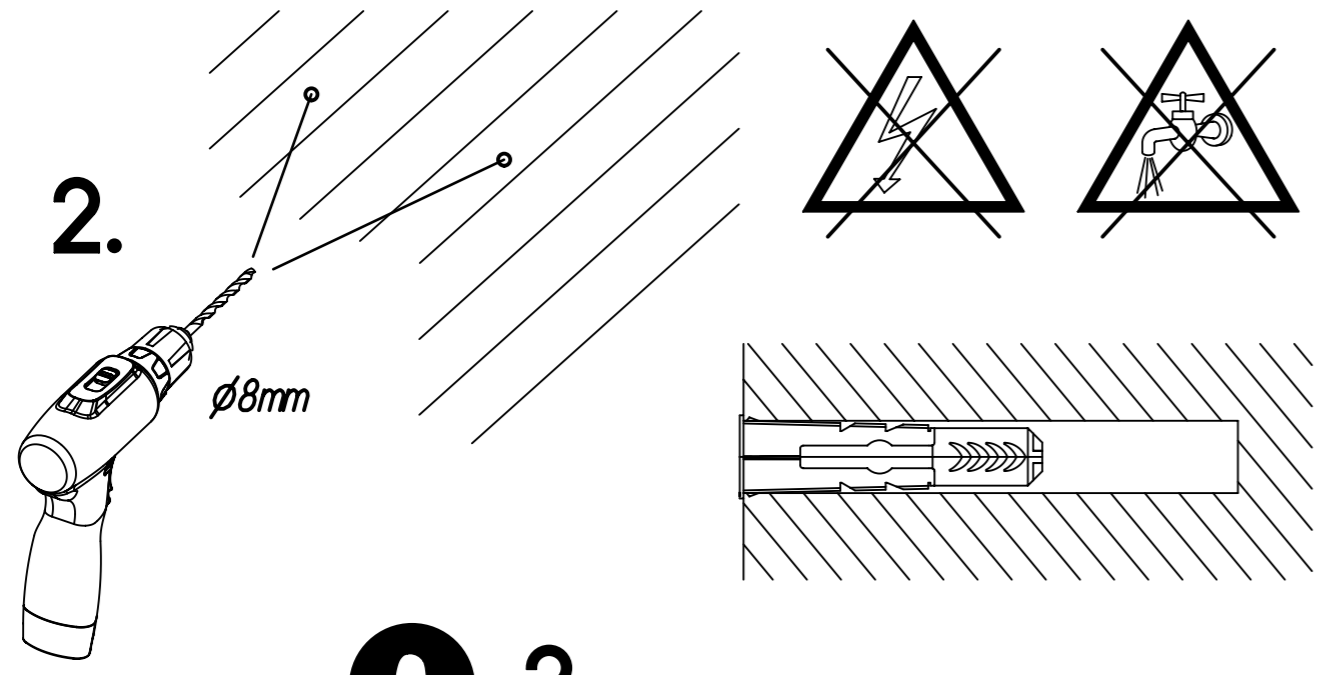
15



1.

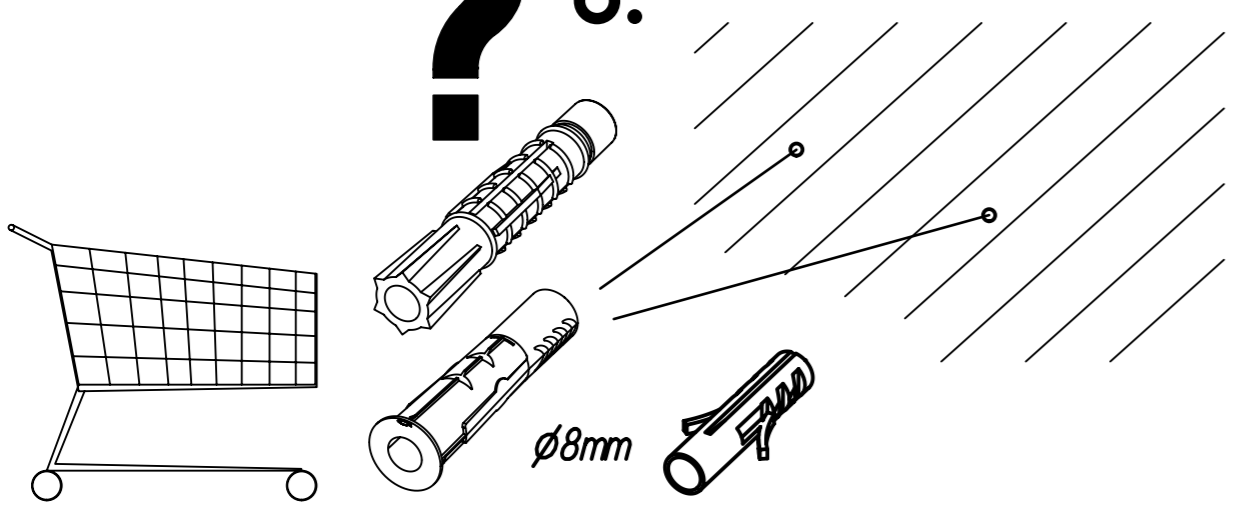


2.

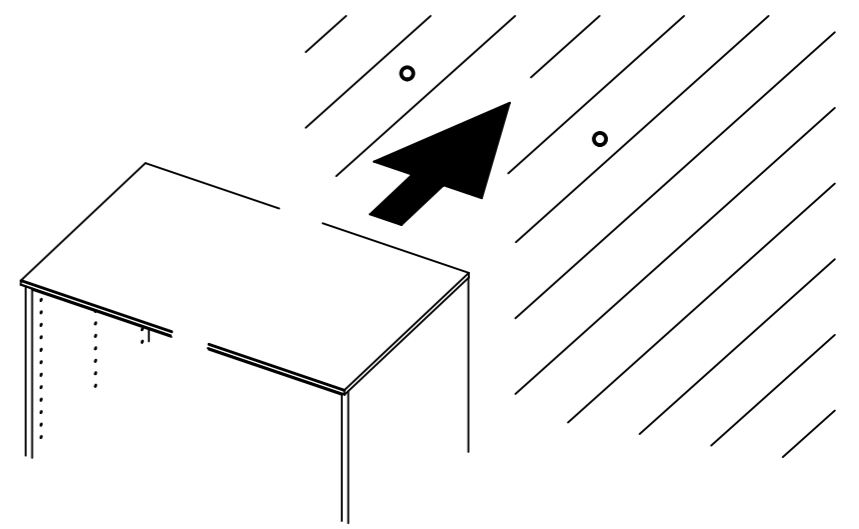
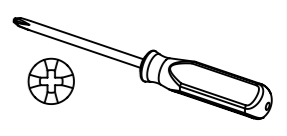
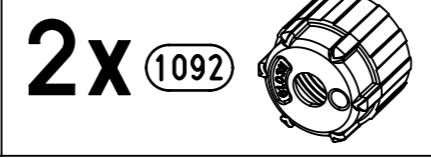


?

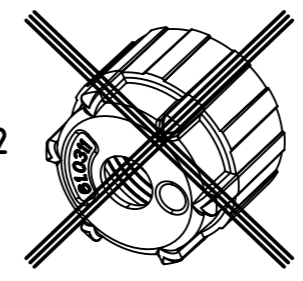
3.



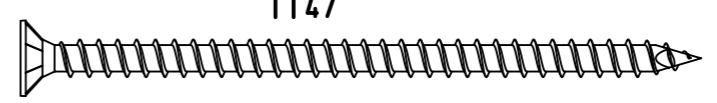
16



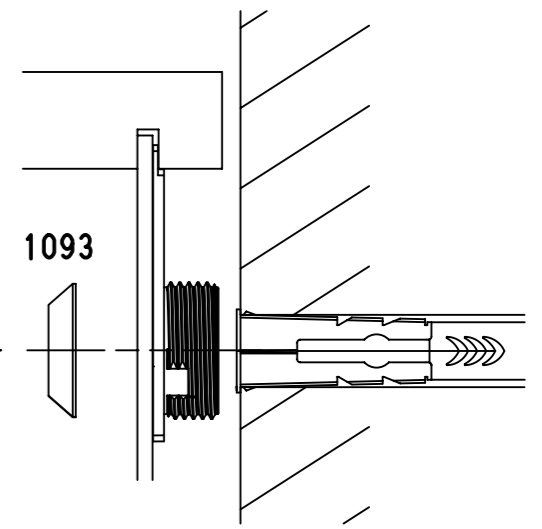
1092



1147



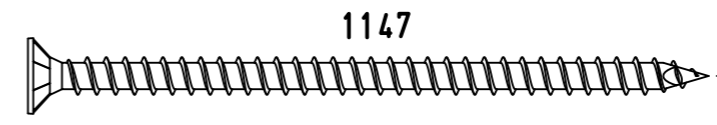
1093



10-15mm

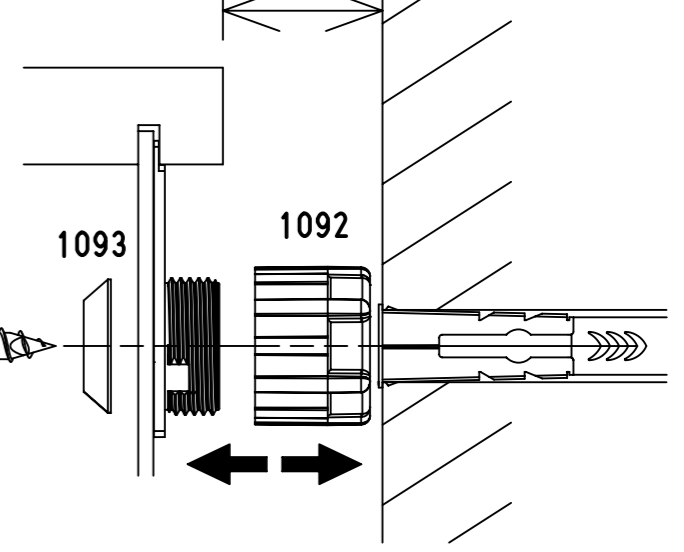


1147



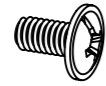
1093

1092

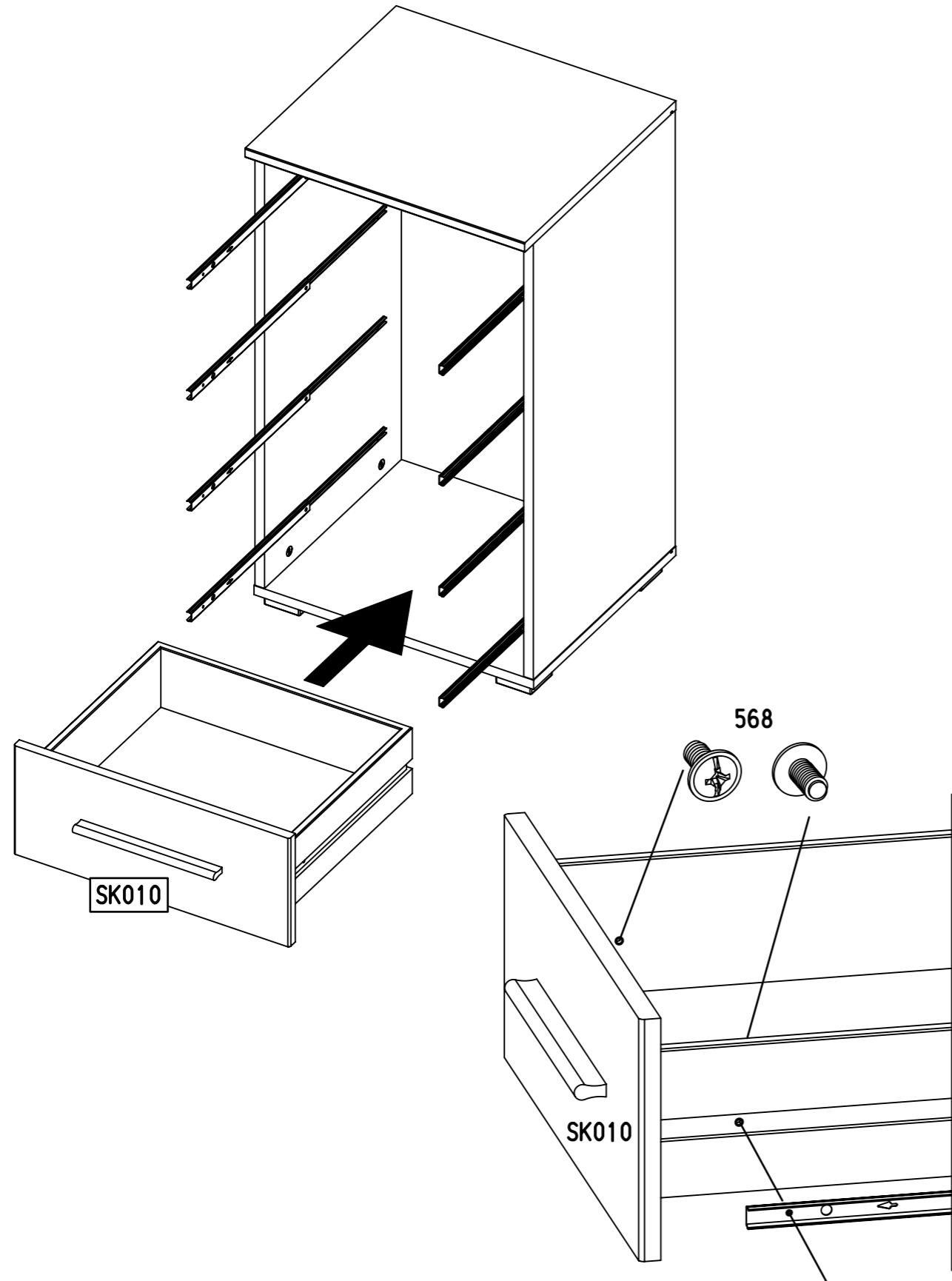
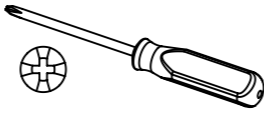


17

8x 568

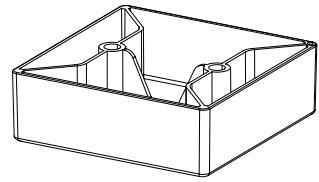


M4x9



MZ044\_02

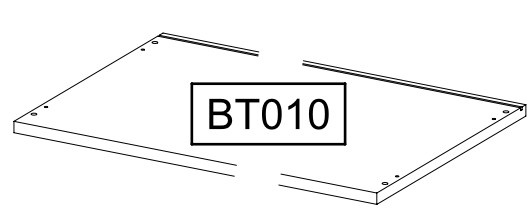
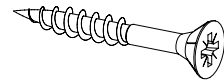
rauch



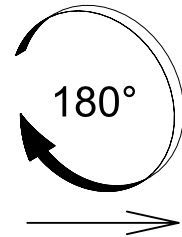
FU010

4x30

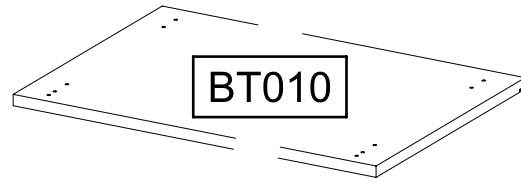
213



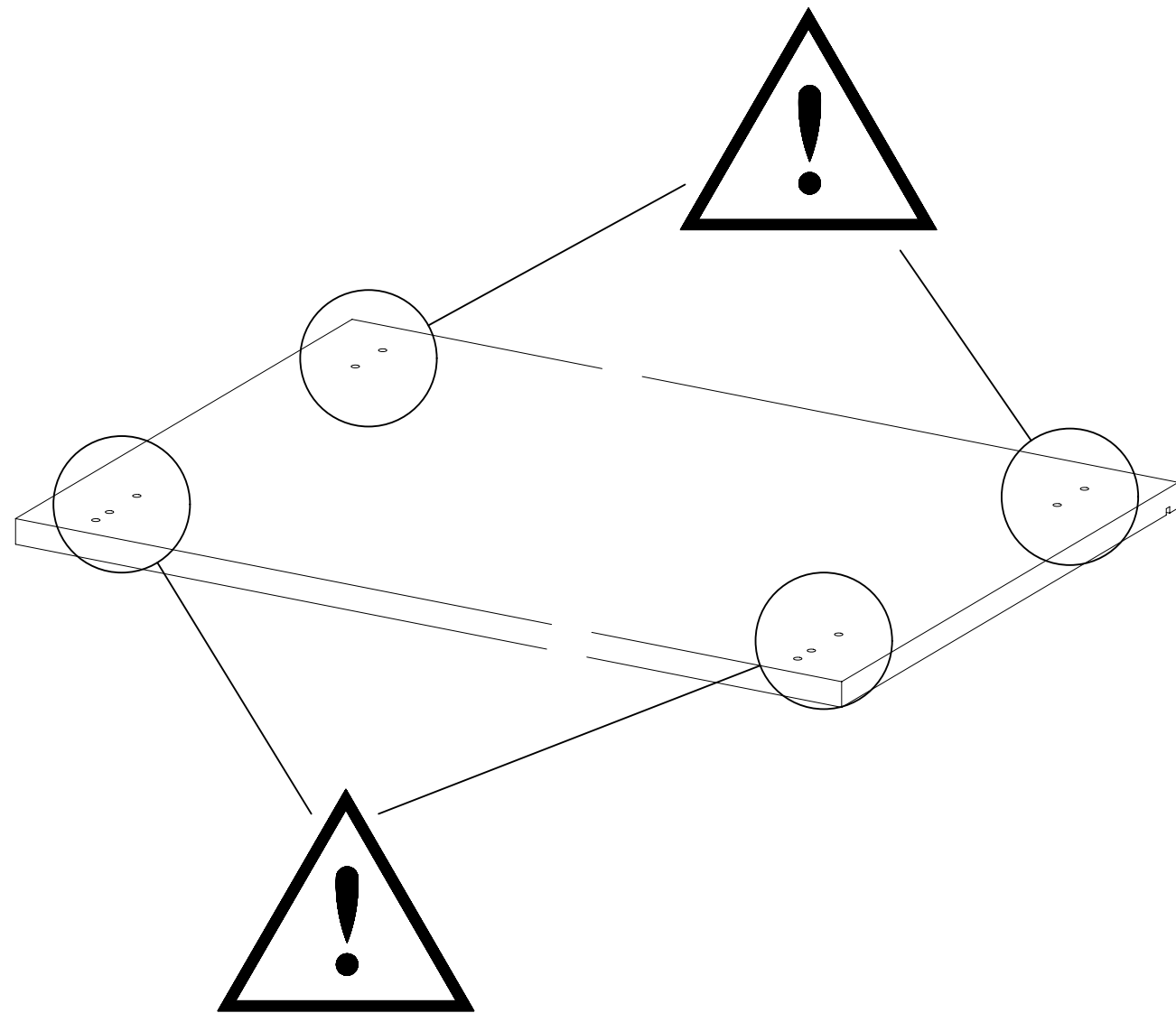
BT010



180°



BT010

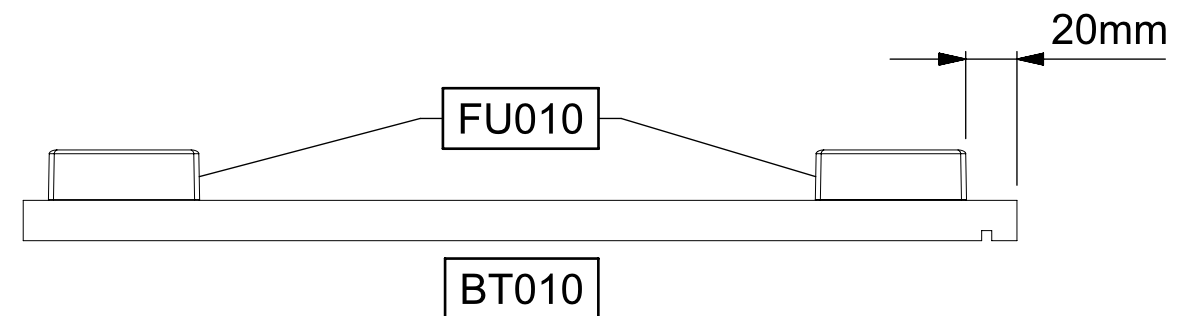
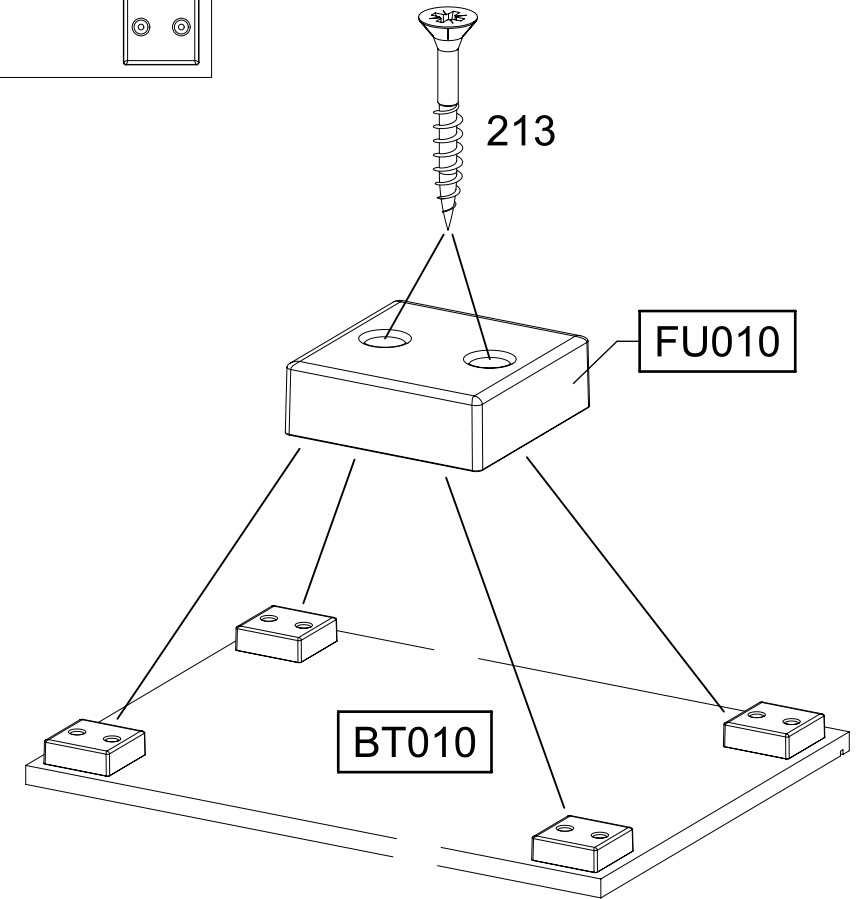
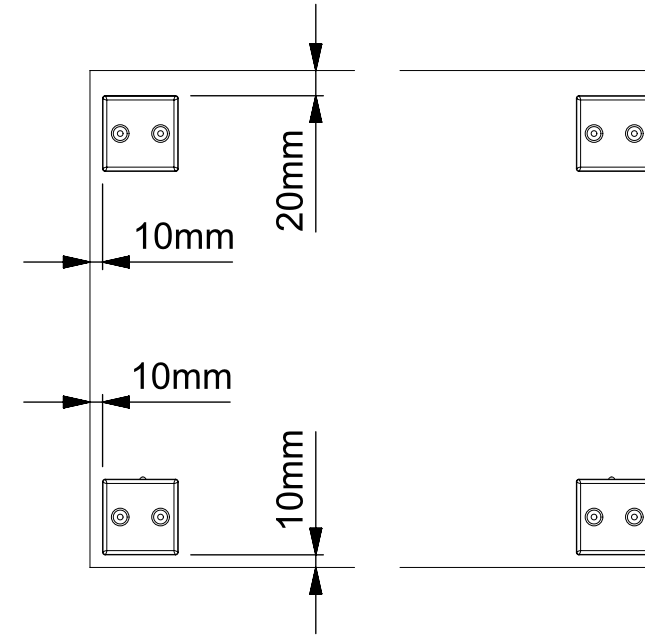
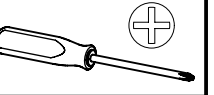
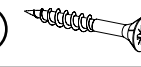


1

8x

213

4x30



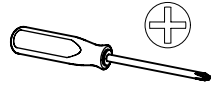
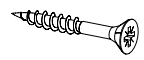
3.

2

2x

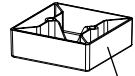
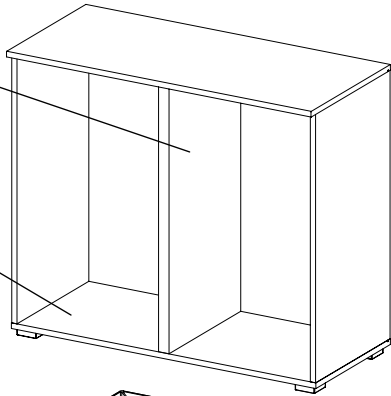
213

4x30



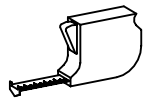
MS010

BT010

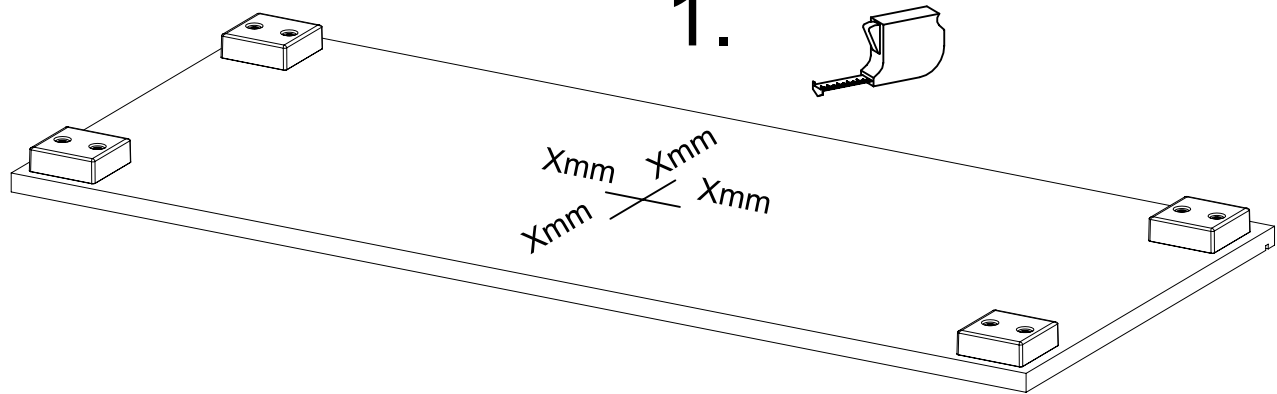


FU010

1.



Xmm Xmm  
Xmm Xmm

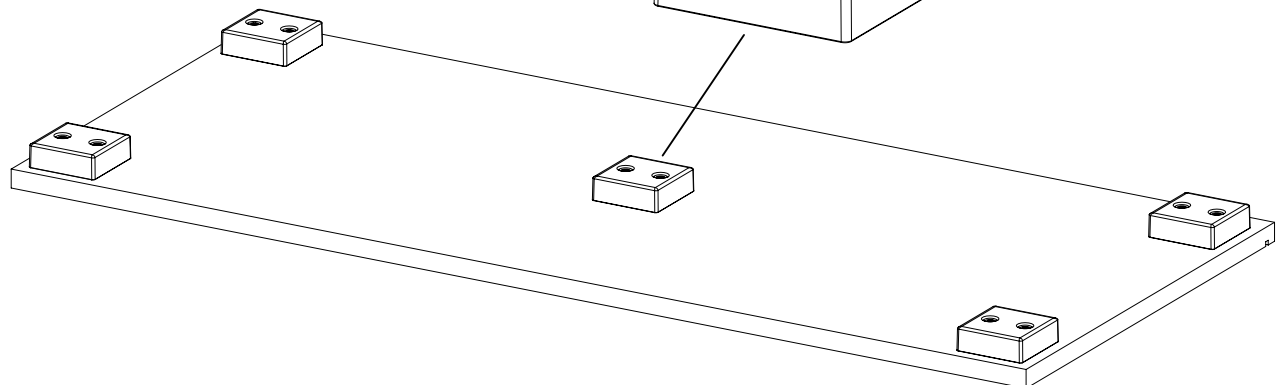
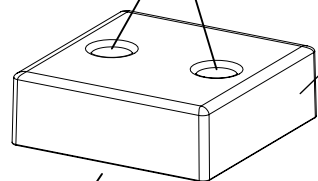


2.



213

FU010



MZ044

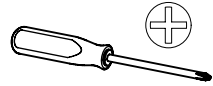
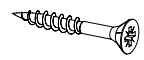
4.

3

2x

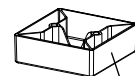
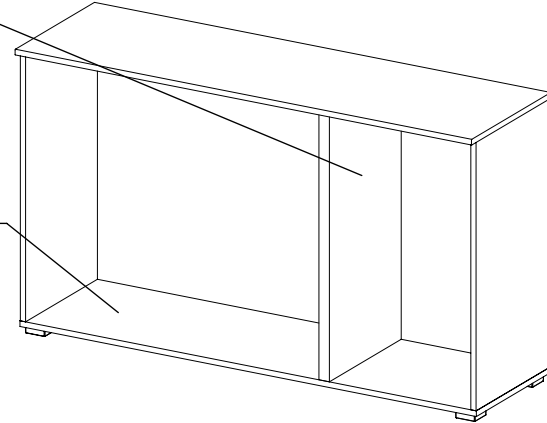
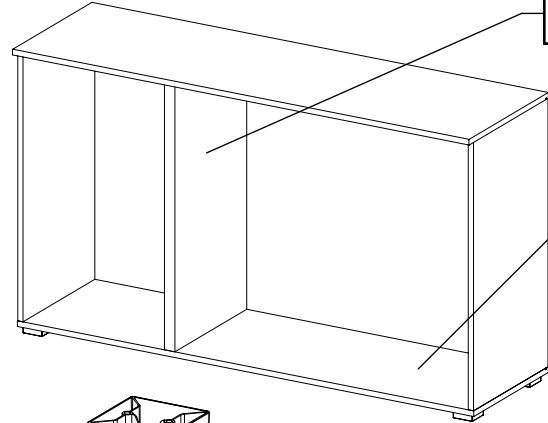
213

4x30

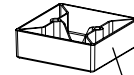


MS010

BT010

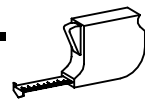


FU010



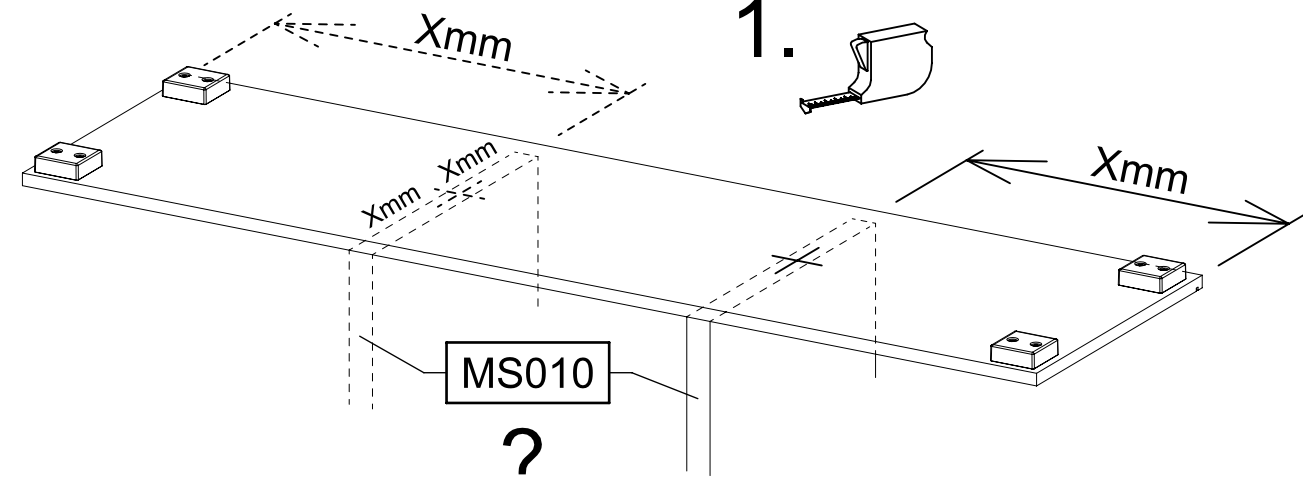
FU010

1.



Xmm  
Xmm Xmm

Xmm



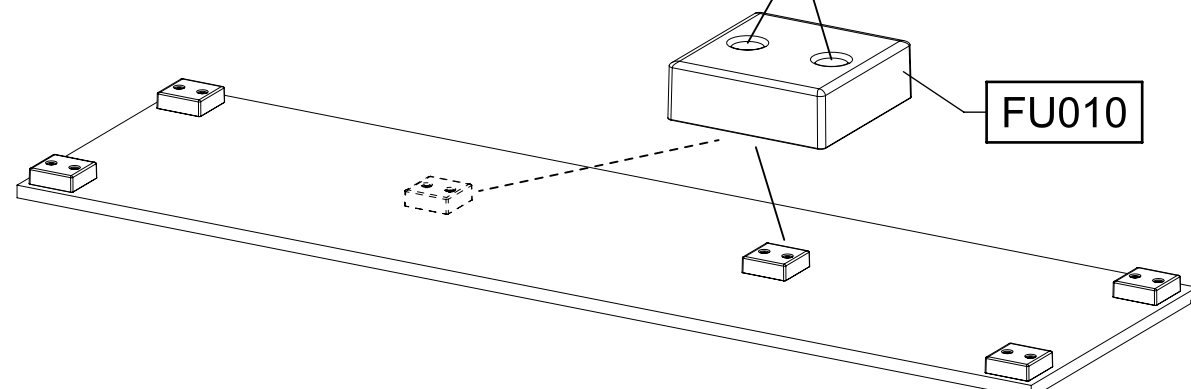
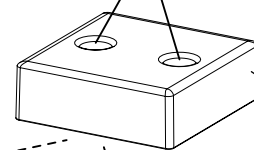
?

2.



213

FU010



MZ044

4

4x

213

4x30

