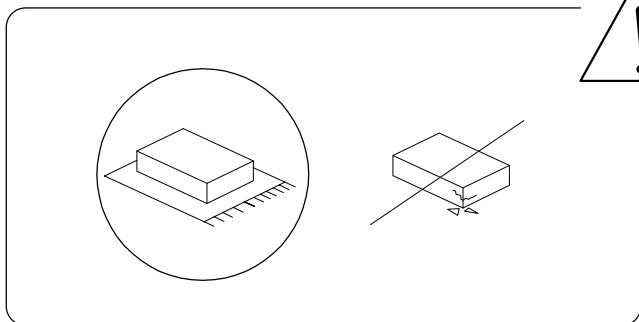
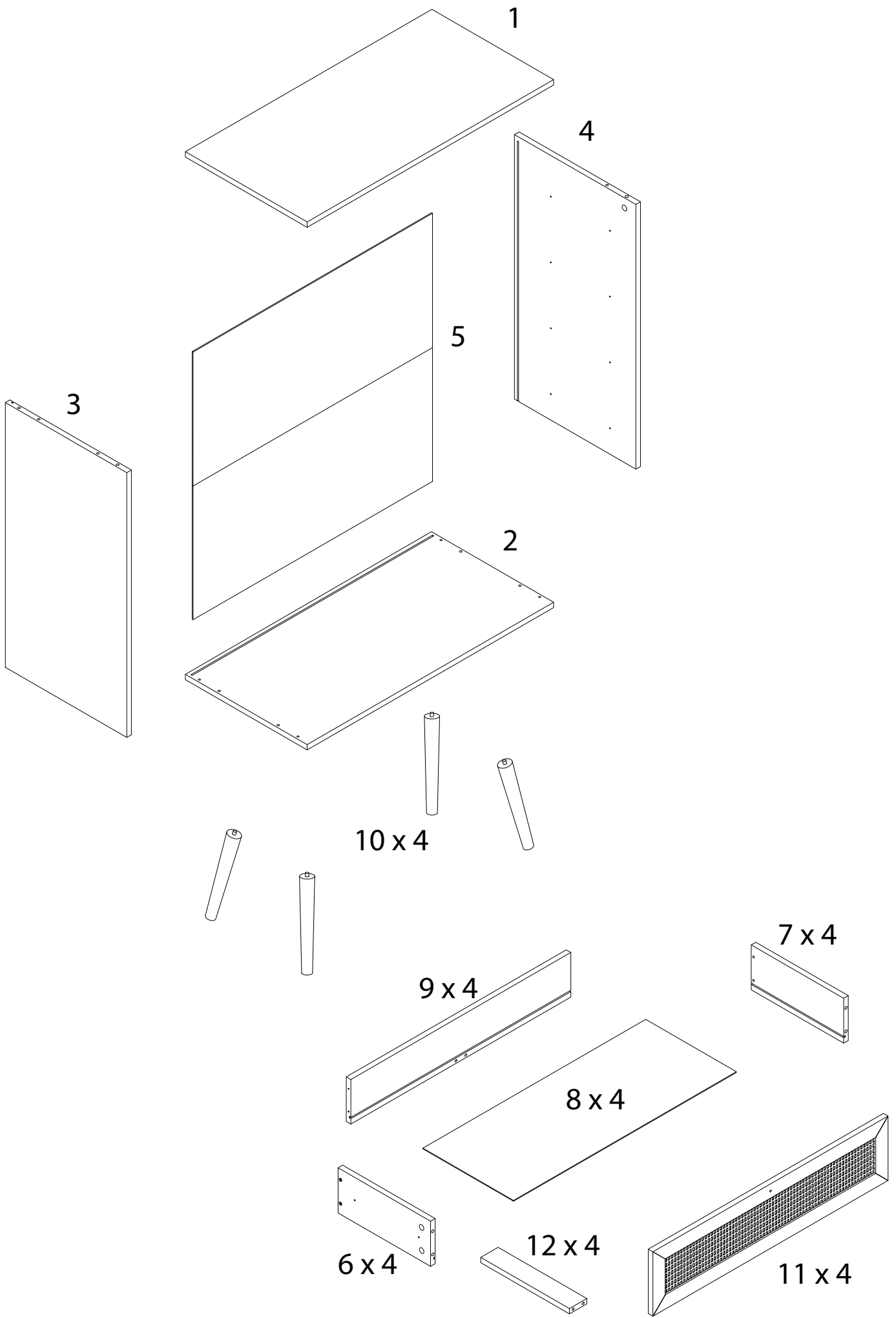
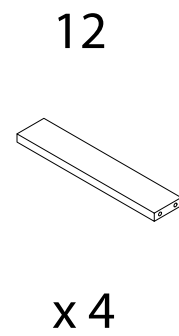
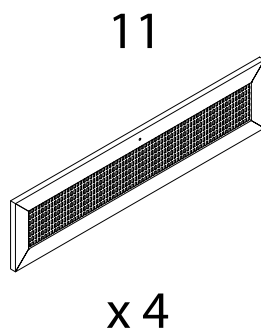
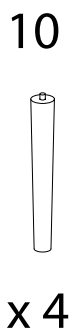
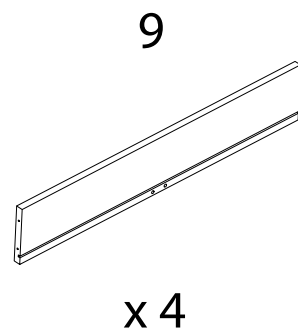
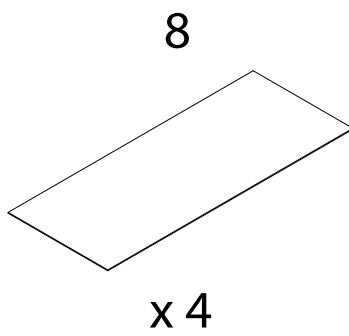
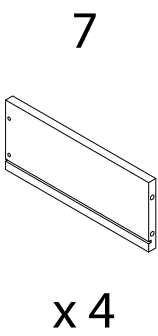
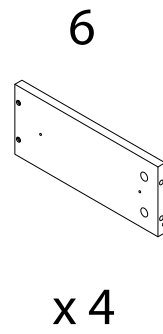
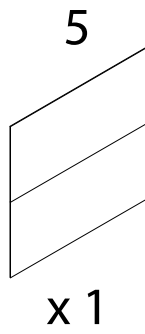
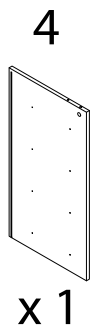
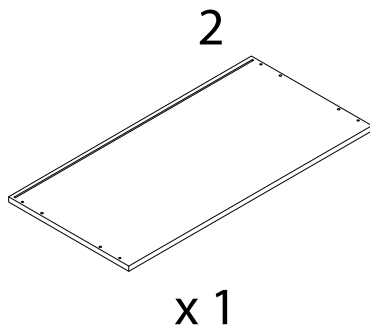
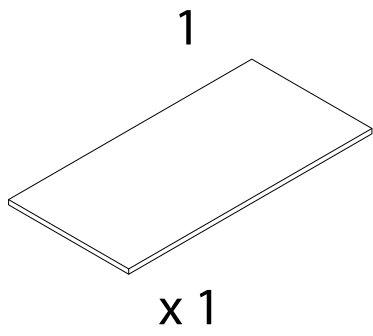


90'



2



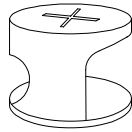


A



x 20

B



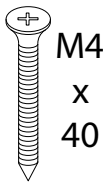
x 20

C



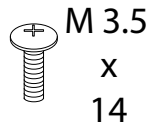
x 24

D



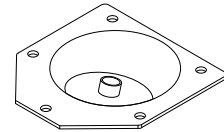
x 22

E



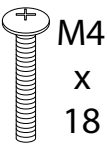
x 20

F



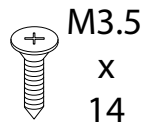
x 4

G



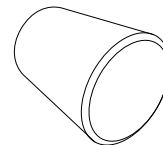
x 4

H



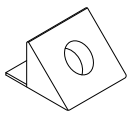
x 46

I



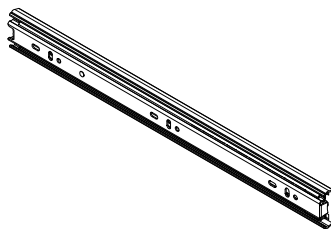
x 4

J



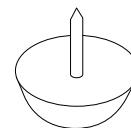
x 12

K



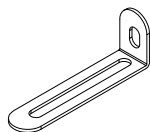
x 8

L



x 4

M



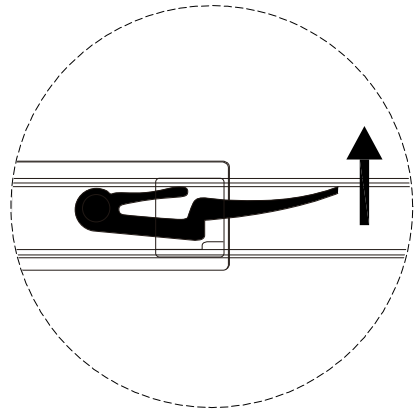
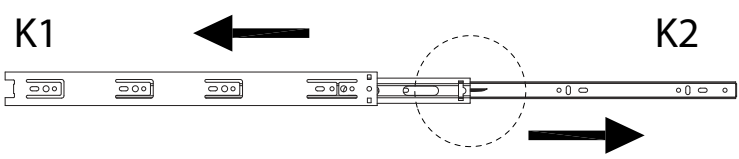
x 2

N



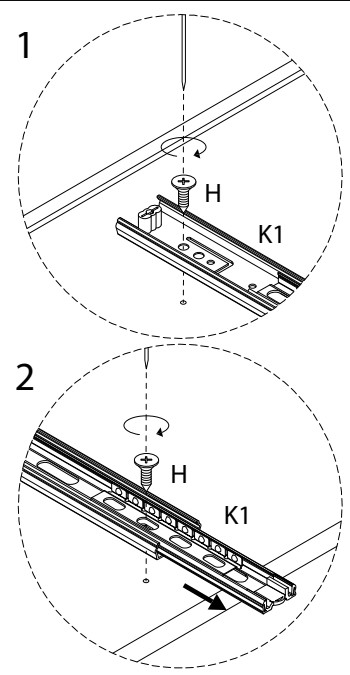
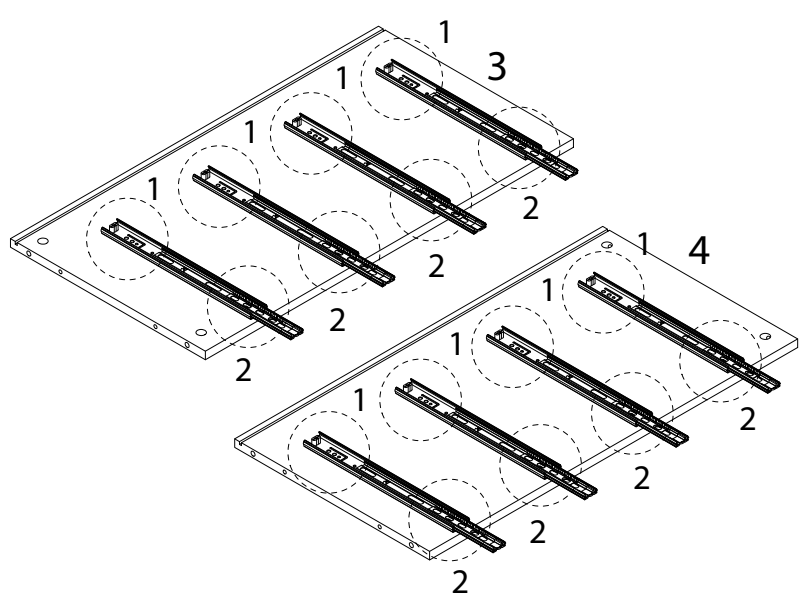
x 2

!



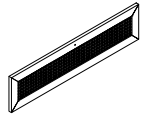
1

- | | | | |
|--------------|--------------|-------------------------------|---------------|
|
3
x 1 |
4
x 1 |
H
M3.5
x 14
x 16 |
K1
x 8 |
|--------------|--------------|-------------------------------|---------------|



2 x 4

11

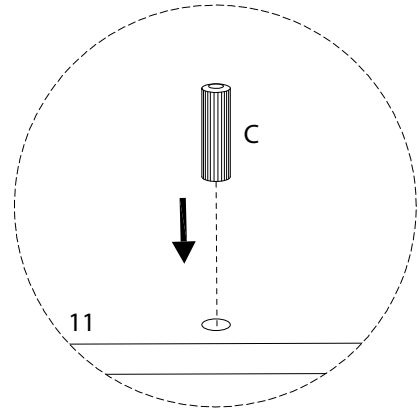
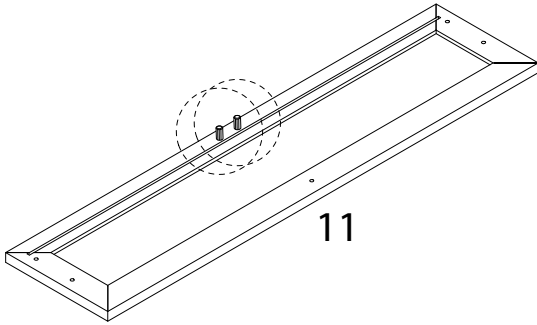


x 1

C

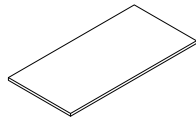


x 2



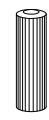
3

1

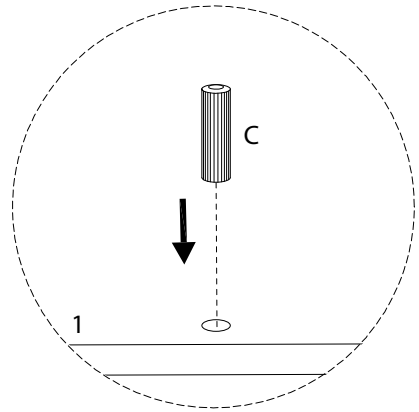
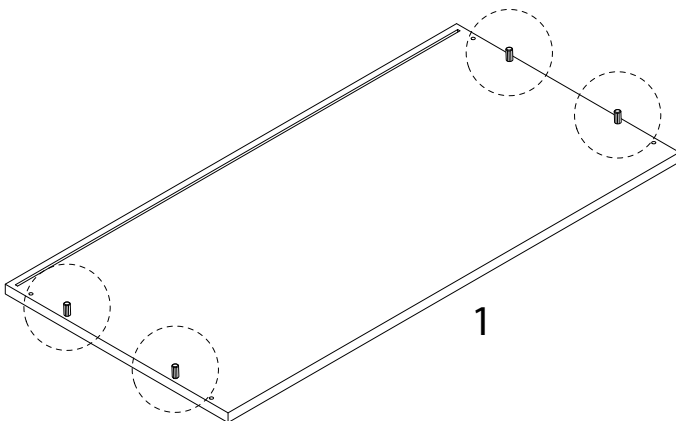


x 1

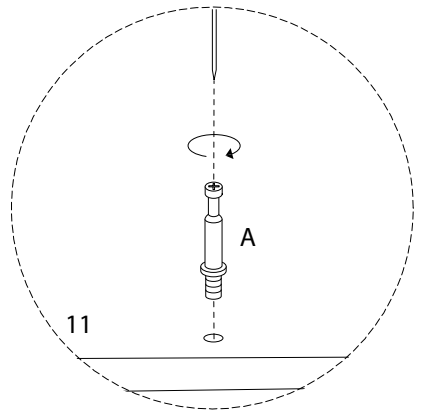
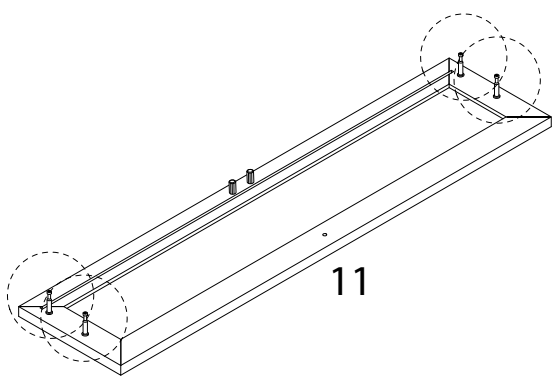
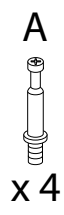
C



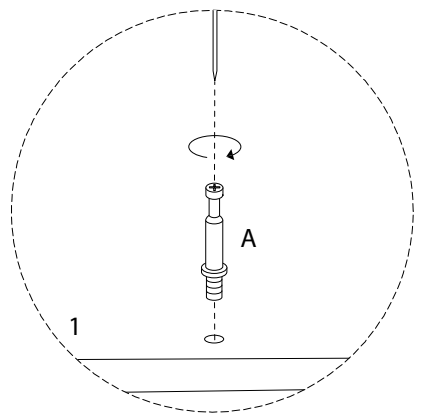
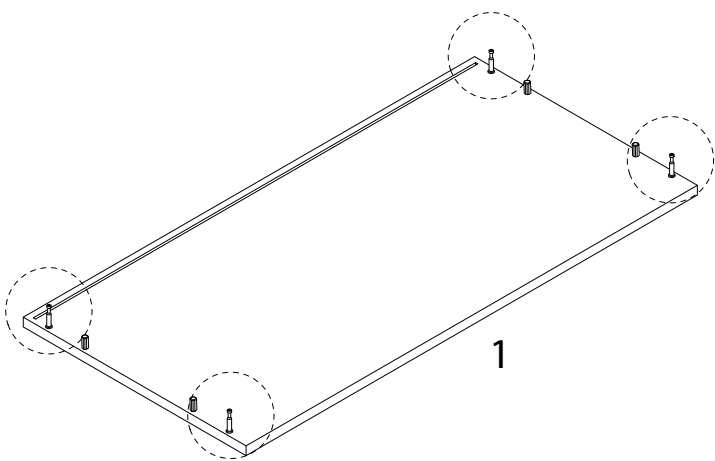
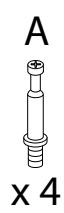
x 4



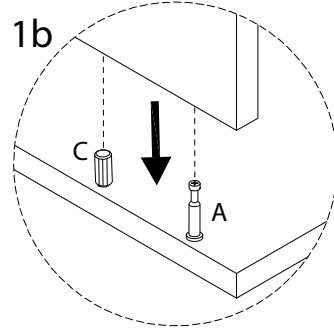
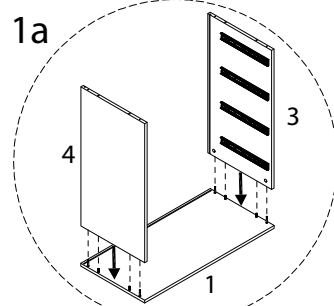
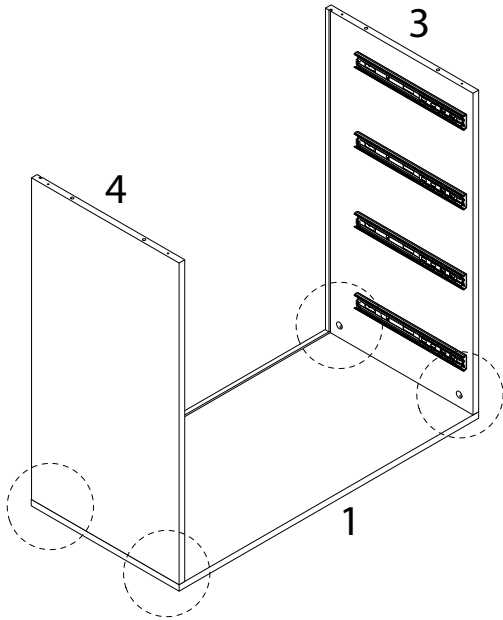
4 x 4



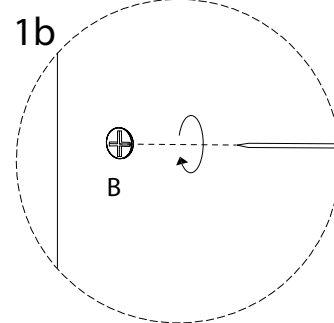
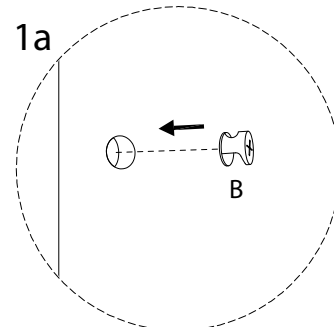
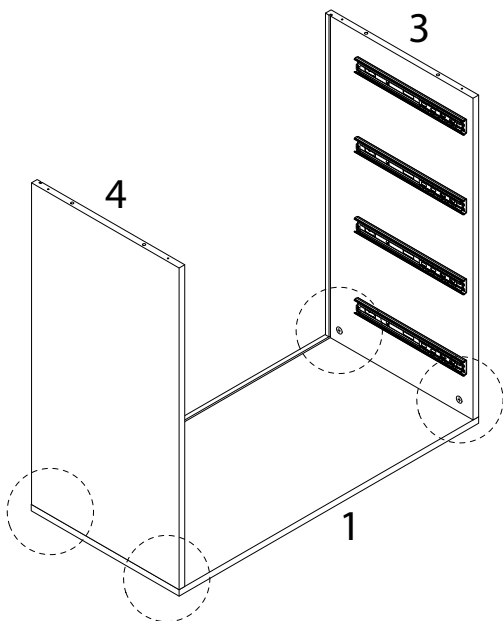
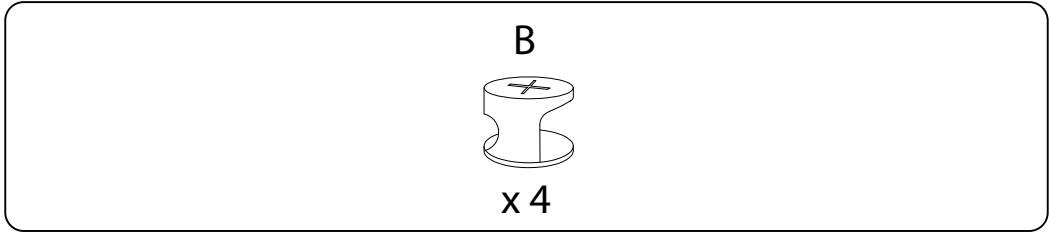
5



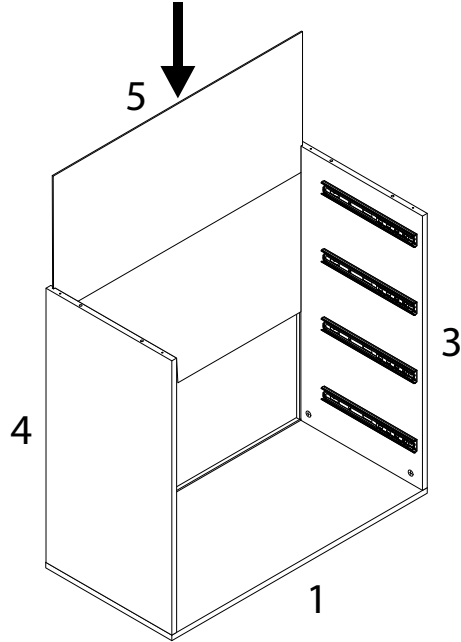
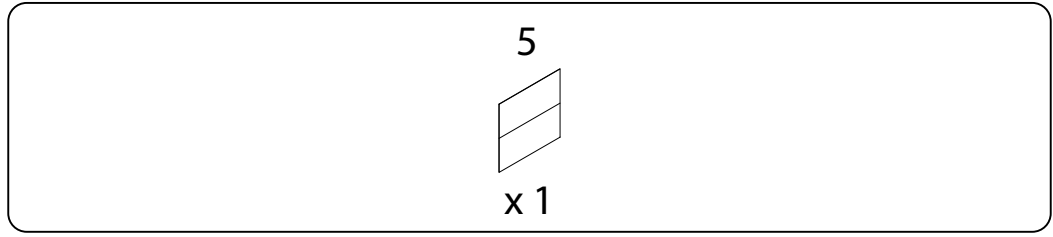
6



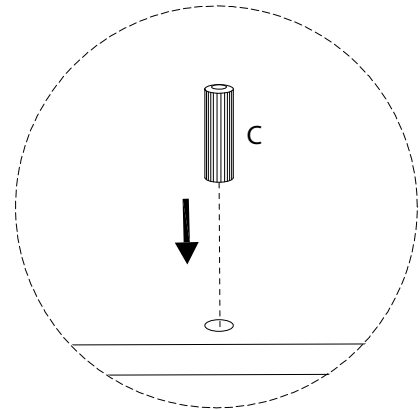
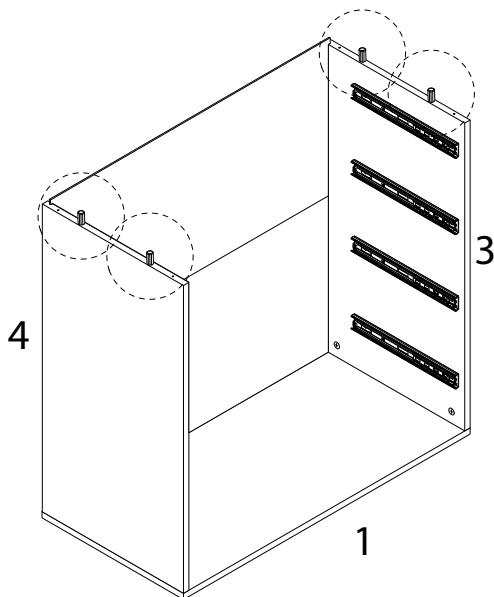
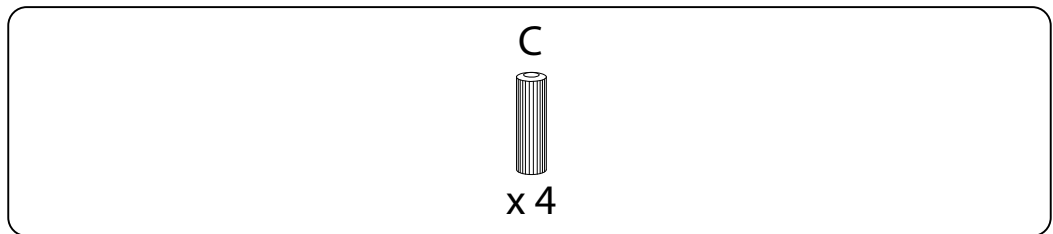
7



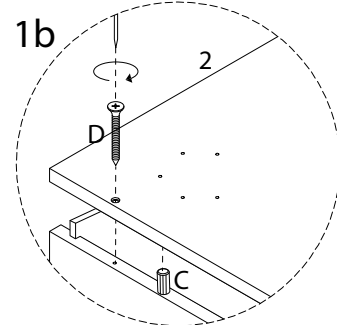
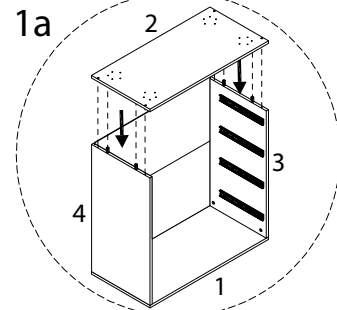
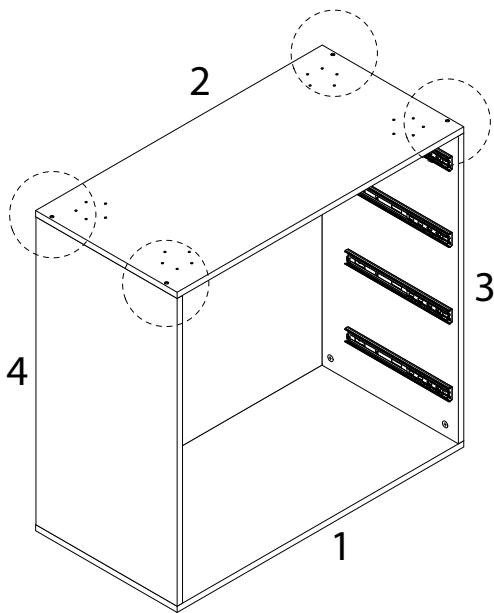
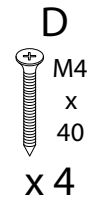
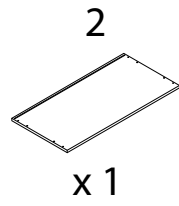
8



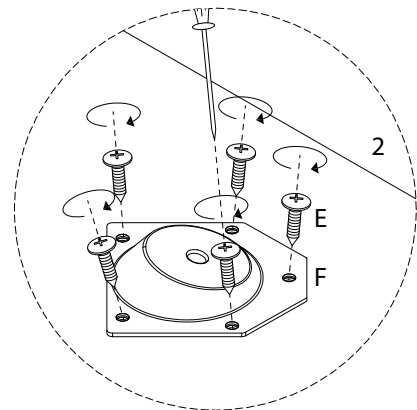
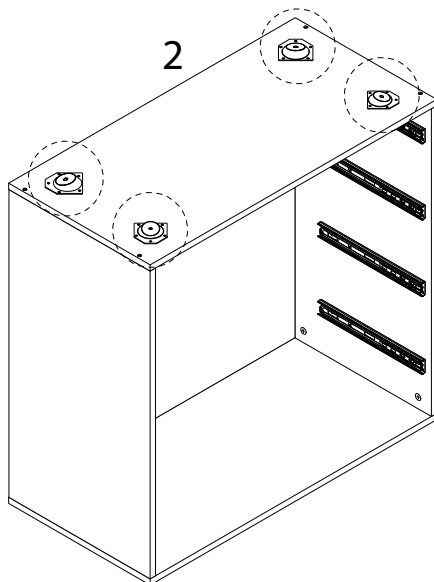
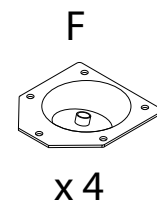
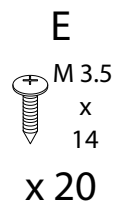
9



10



11



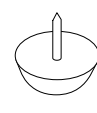
12

10

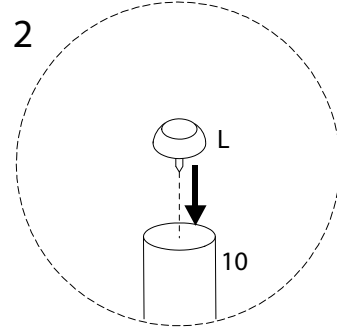
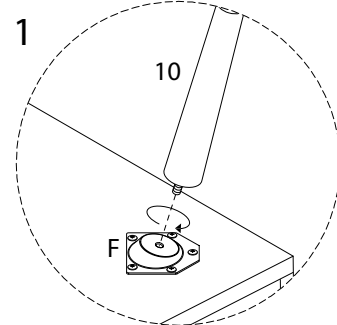
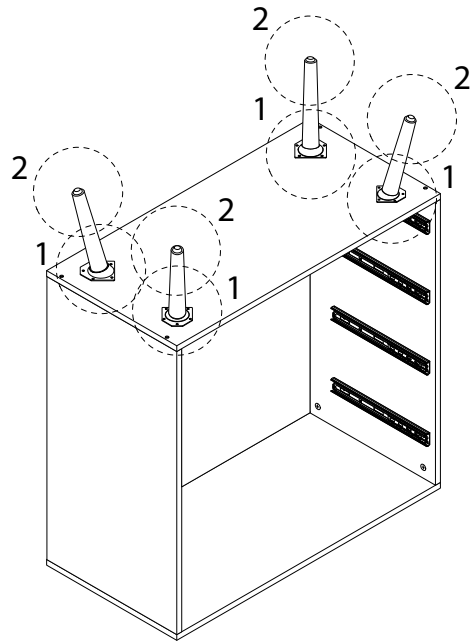


x 4

L

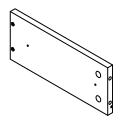


x 4



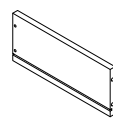
13 x 4

6



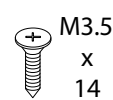
x 1

7



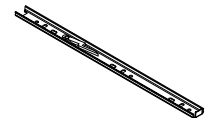
x 1

H

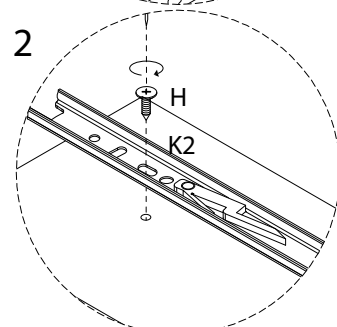
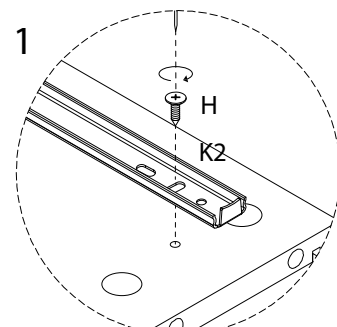
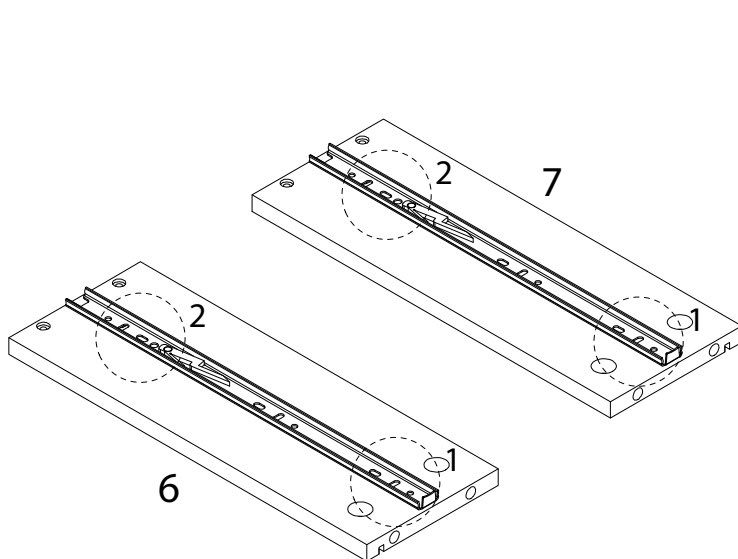


x 4

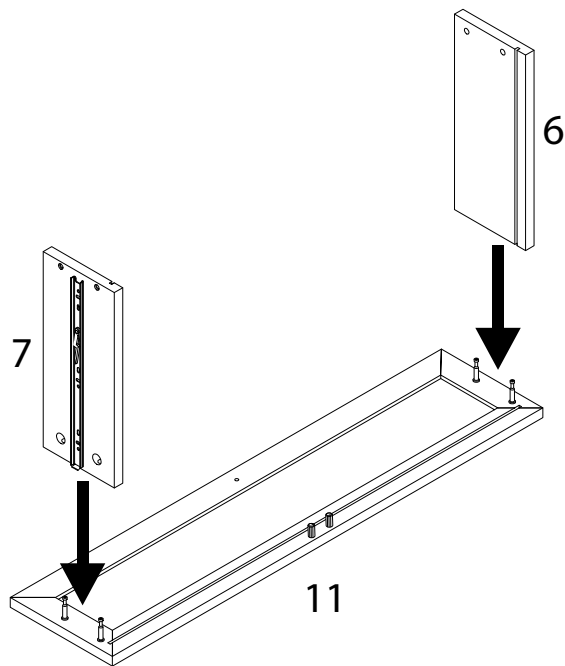
K2



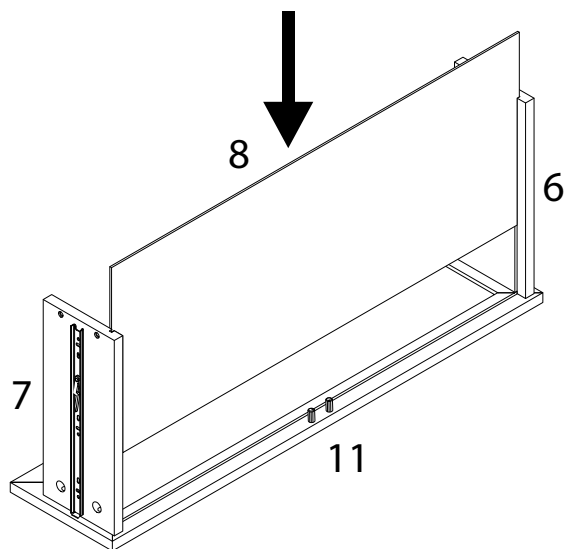
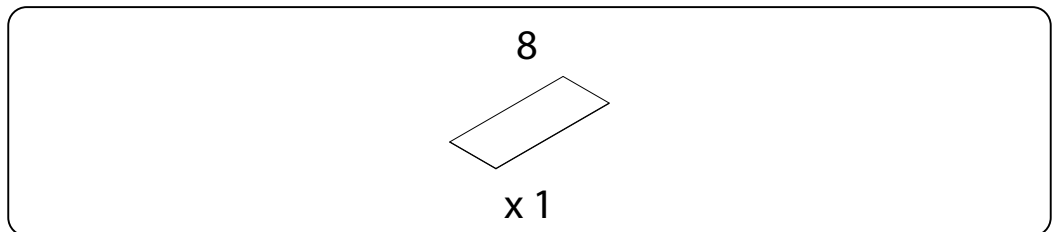
x 2



14 x 4



15 x 4

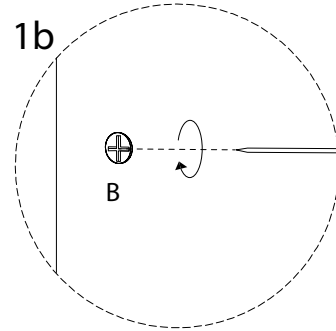
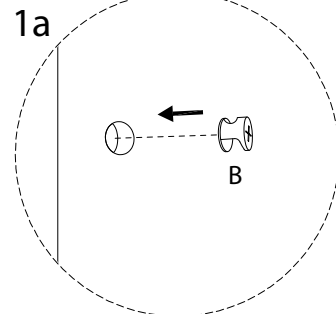
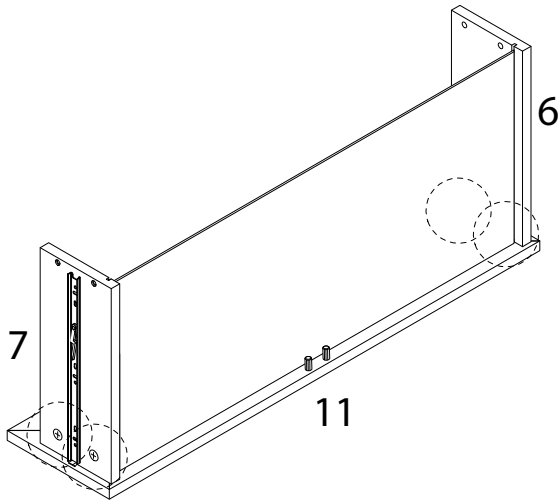


16 x 4

B

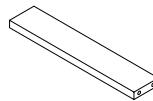


x 4

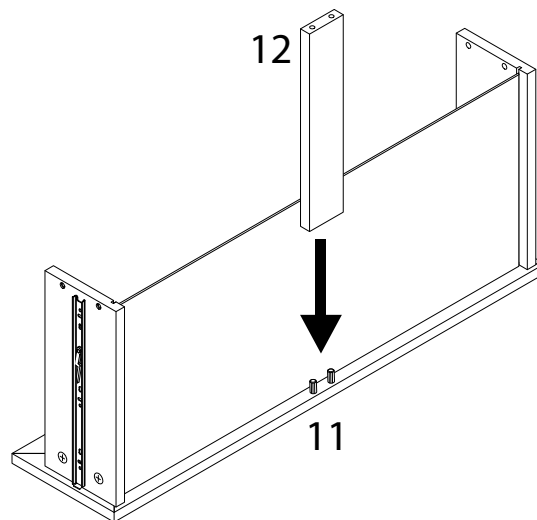


17 x 4

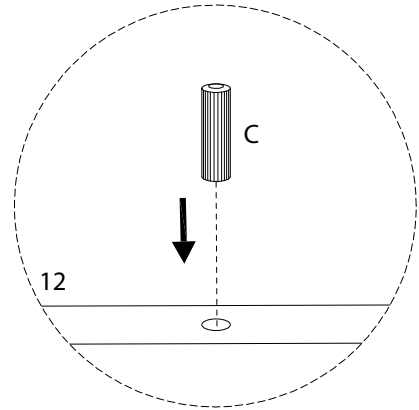
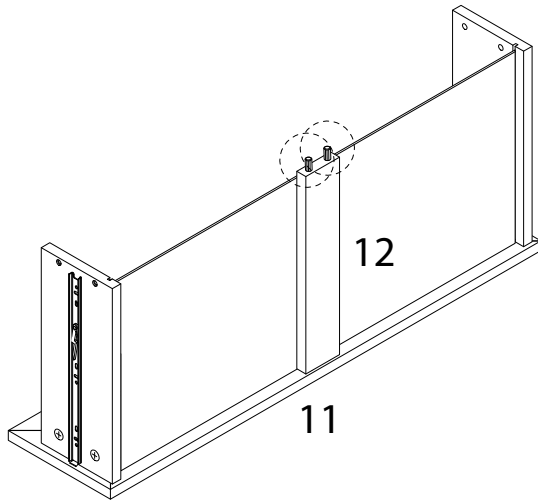
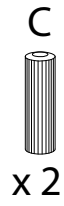
12



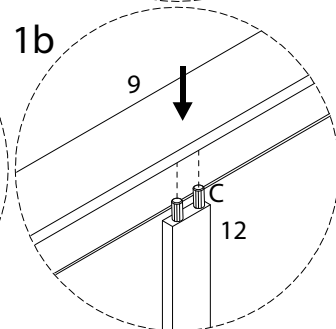
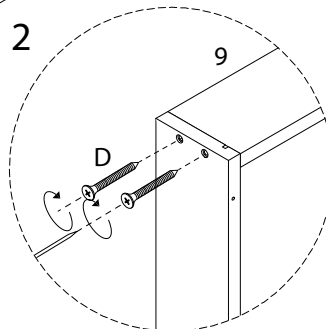
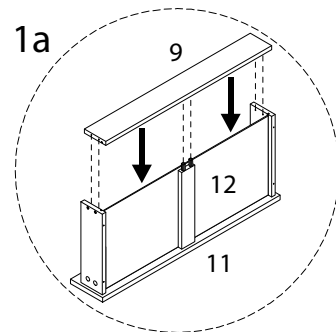
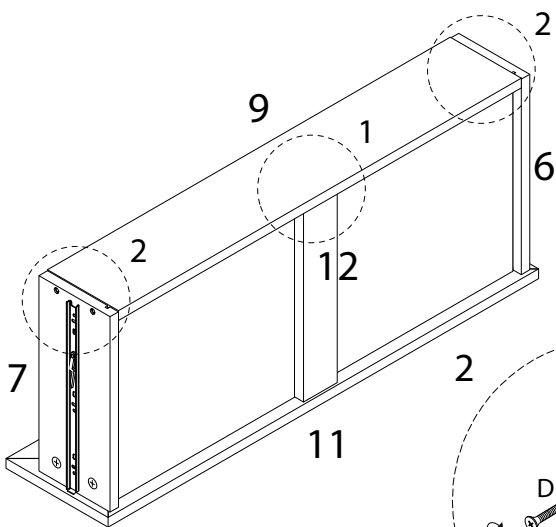
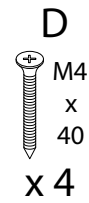
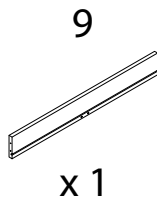
x 1



18 x 4



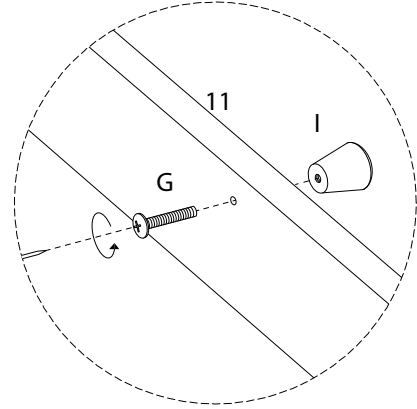
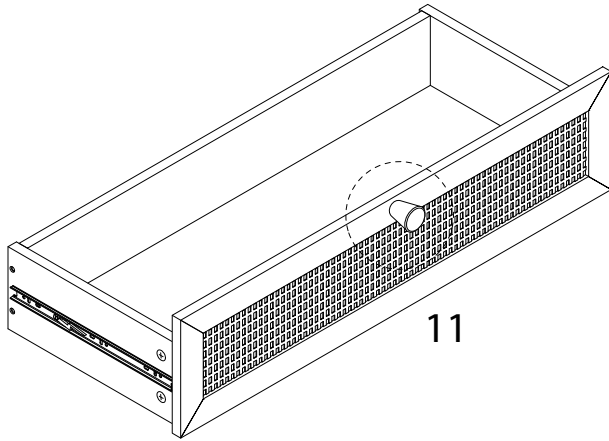
19 x 4



20 x 4

G
M4
x
18
x 1

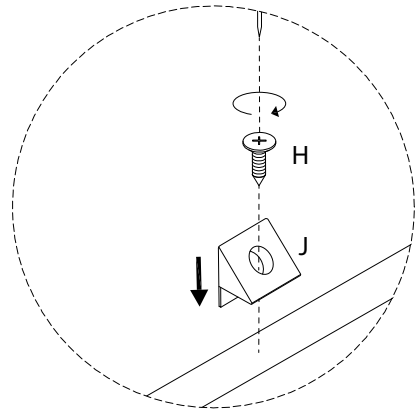
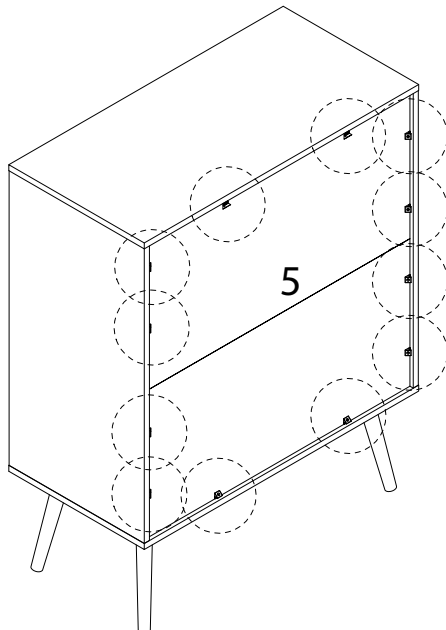
I
x 1



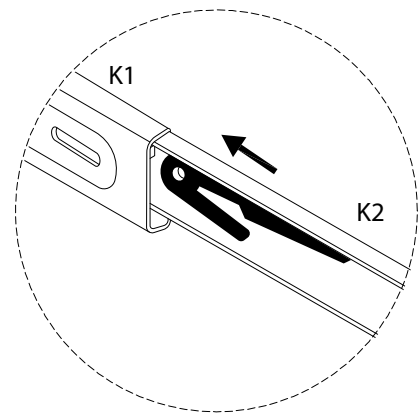
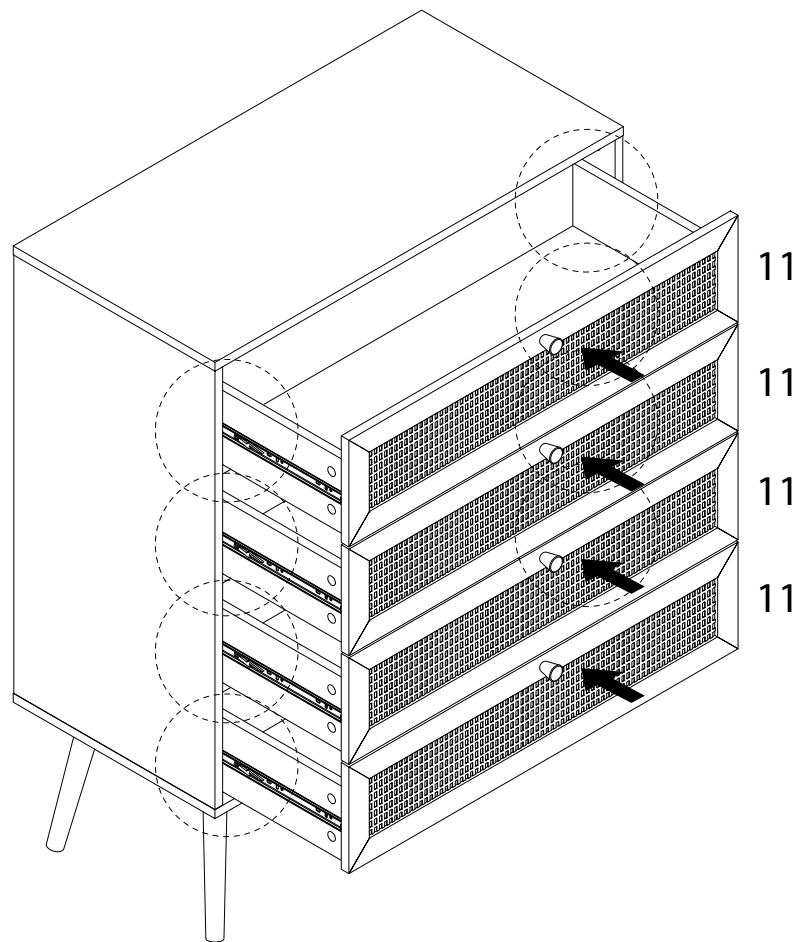
21

H
M3
x
14
x 12

J
x 12



22



23

D
M4
x
40
x 2

H
M3.5
x
14
x 2

M
x 2

N
x 2

