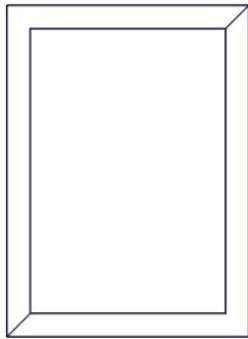
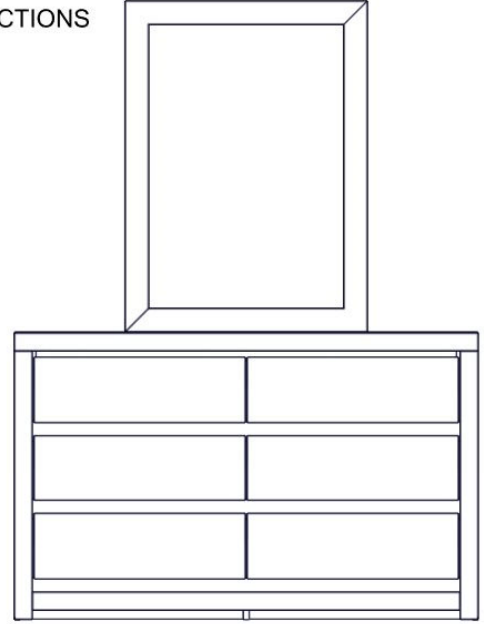
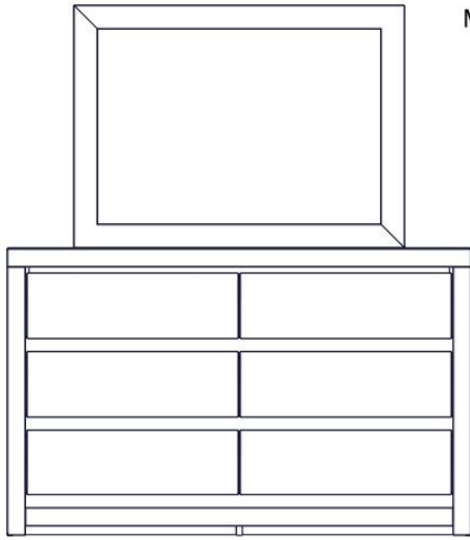






MIRROR ASSEMBLY INSTRUCTIONS

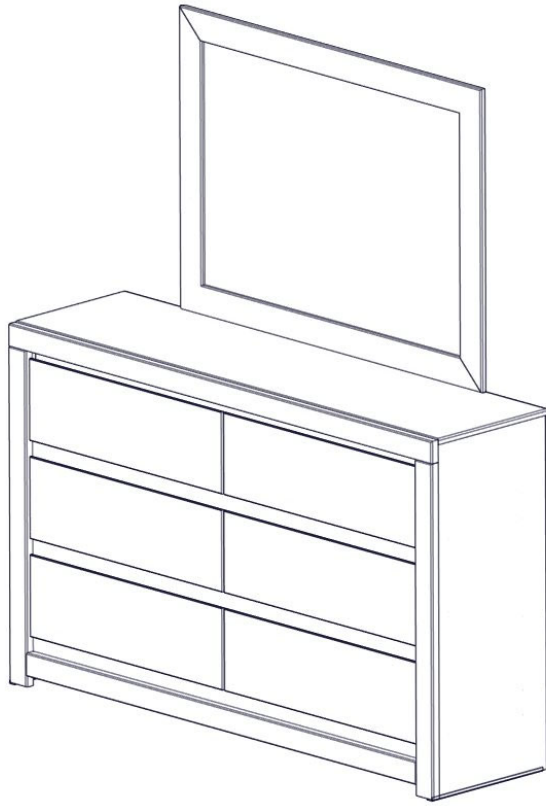


**Hardware Components**

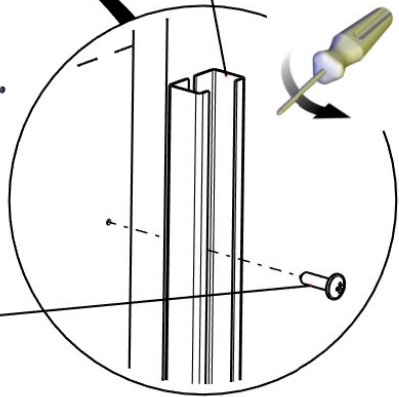
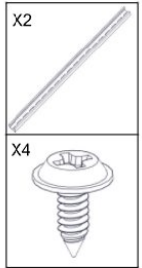
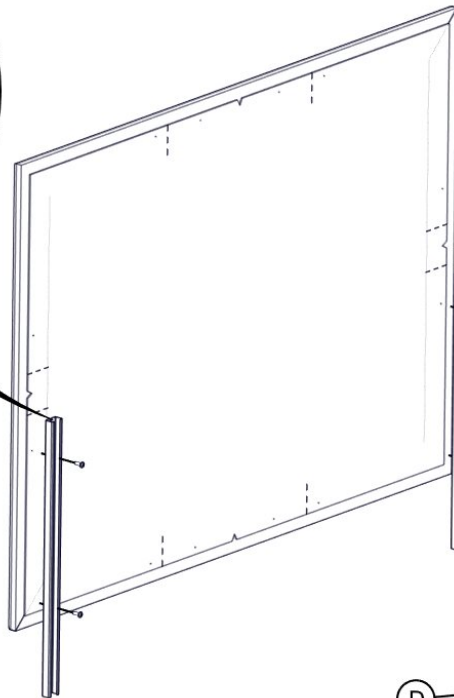
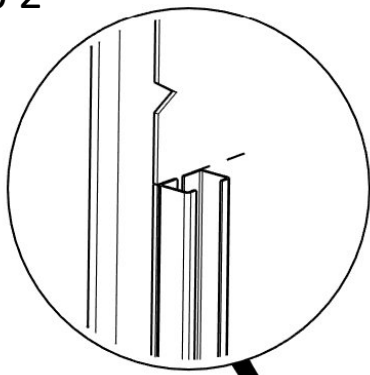
| Item | Description     | Qty | Image   |
|------|-----------------|-----|---|
| A    | DRAYWALL ANCHOR | 4   |  |
| B    | MIRROR BRACKET  | 2   |  |

| Item | Description      | Qty | Image   |
|------|------------------|-----|---|
| C    | 8 x 1 1/4" SCREW | 4   |  |
| D    | 8 x 5/8" SCREW   | 4   |  |

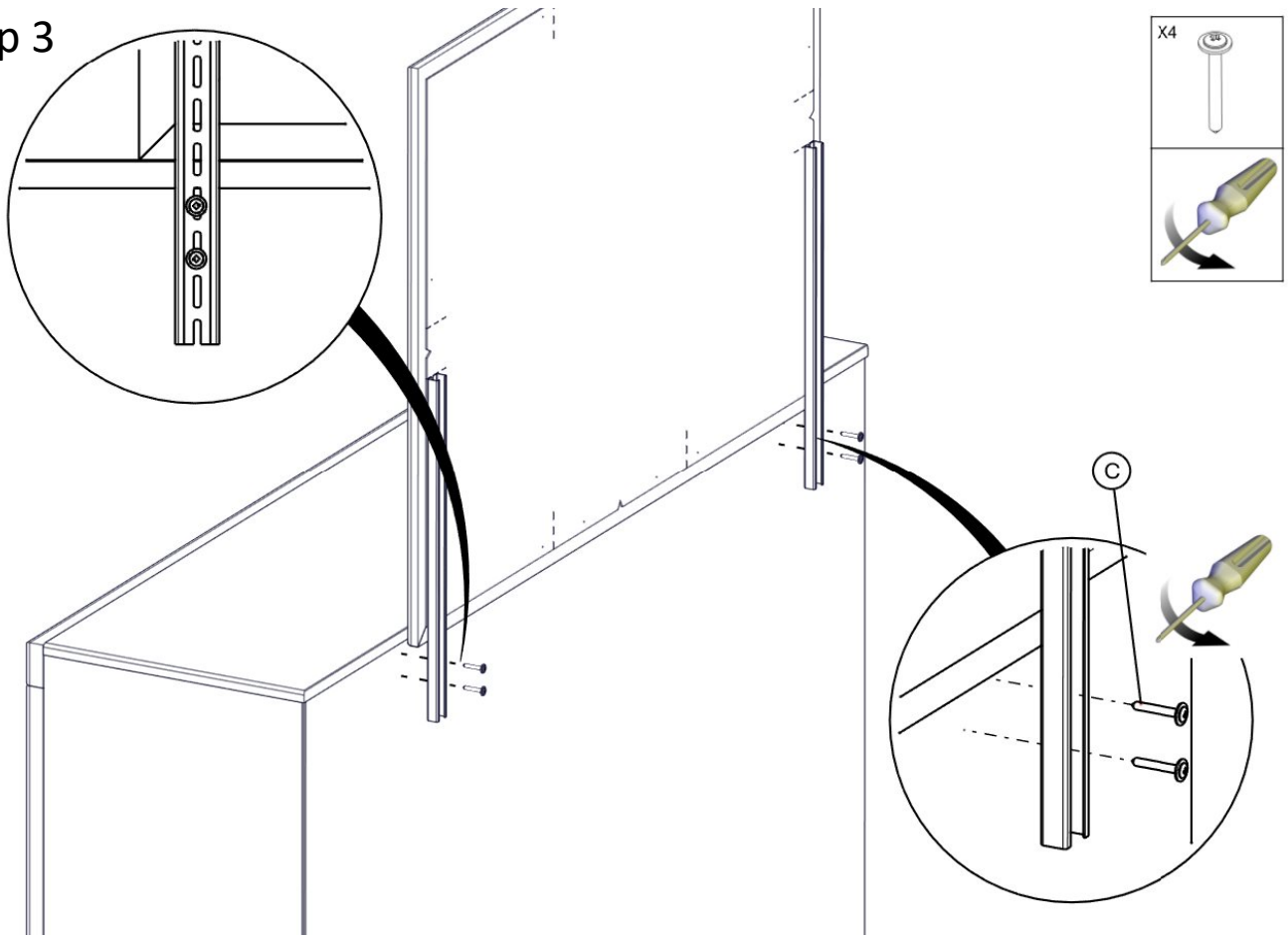
# Step 1



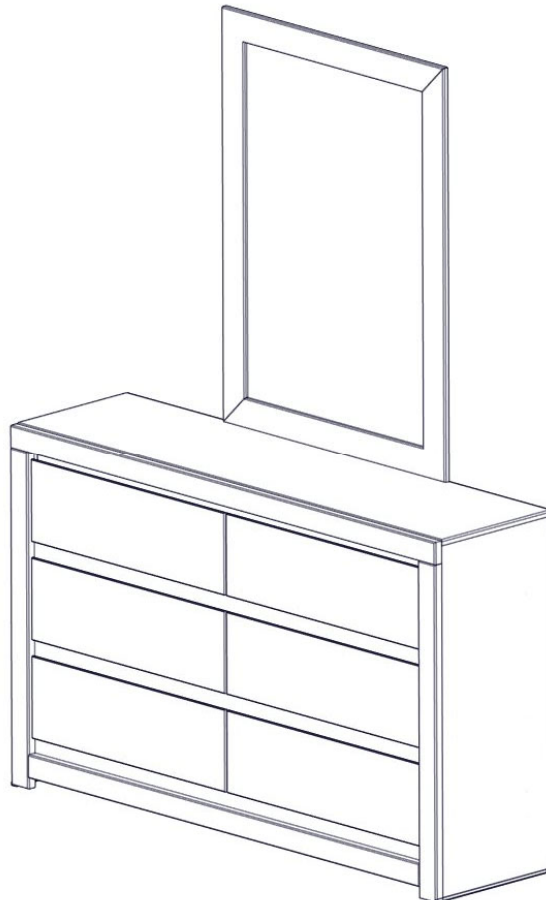
# Step 2



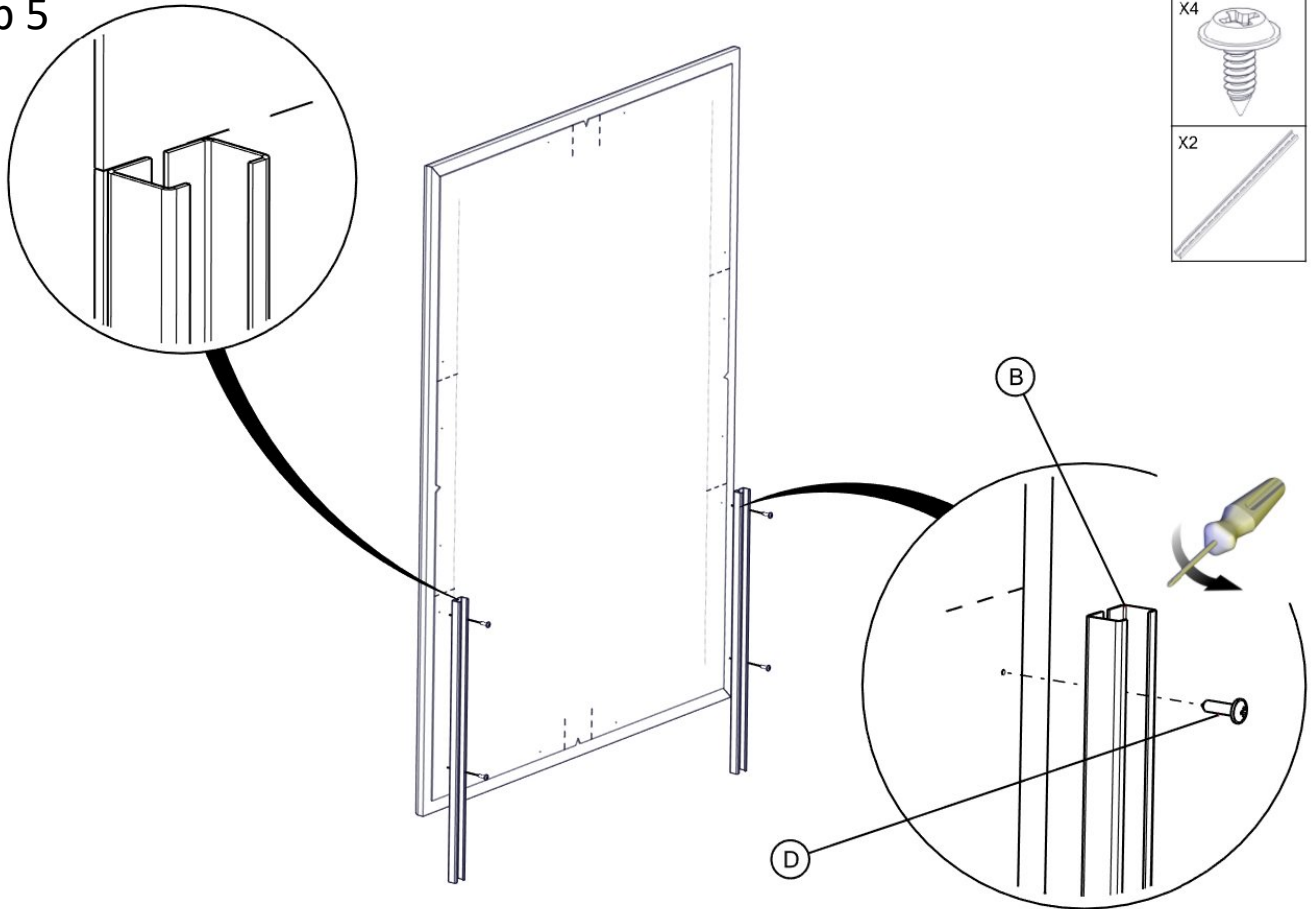
### Step 3



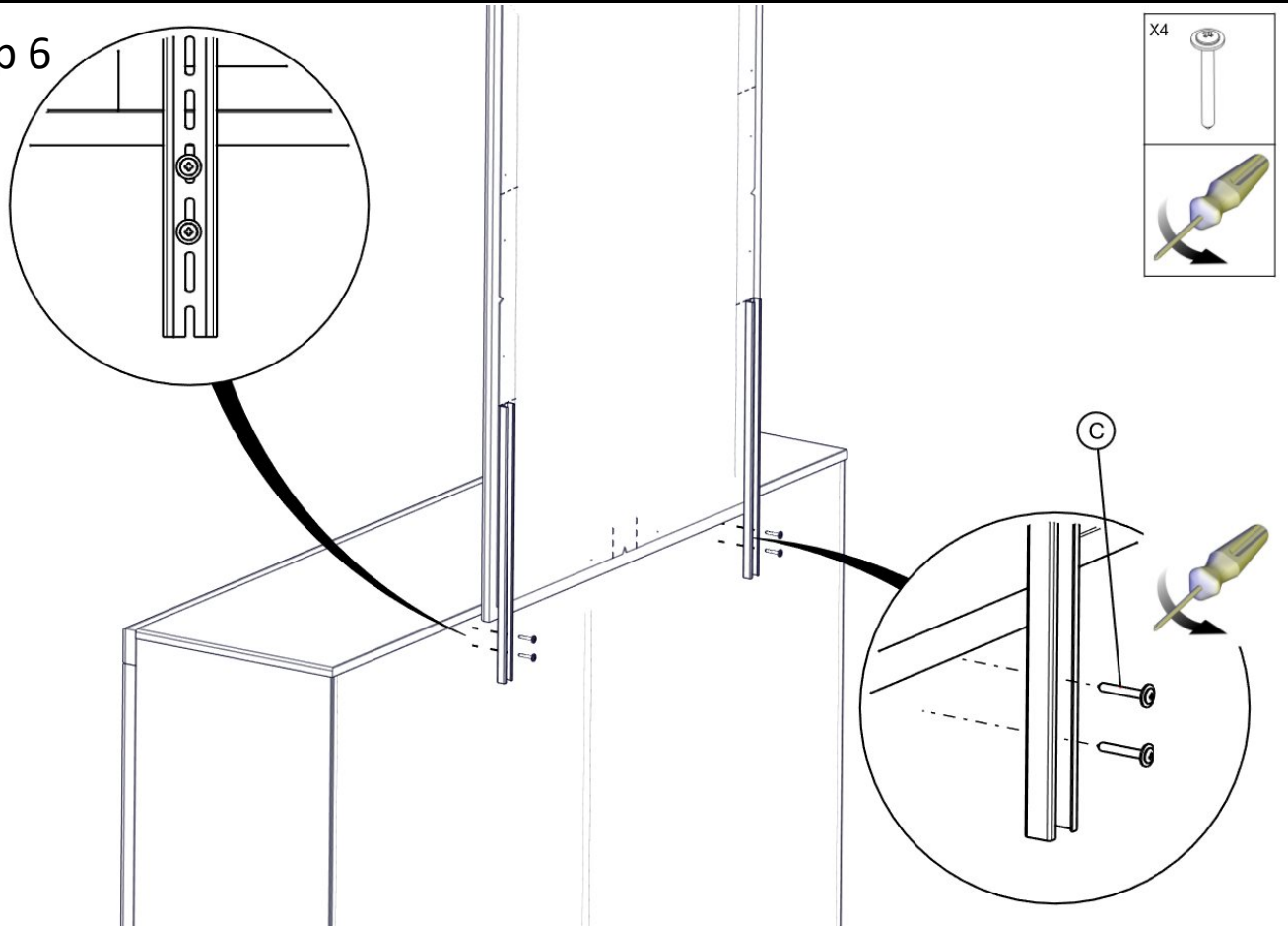
### Step 4



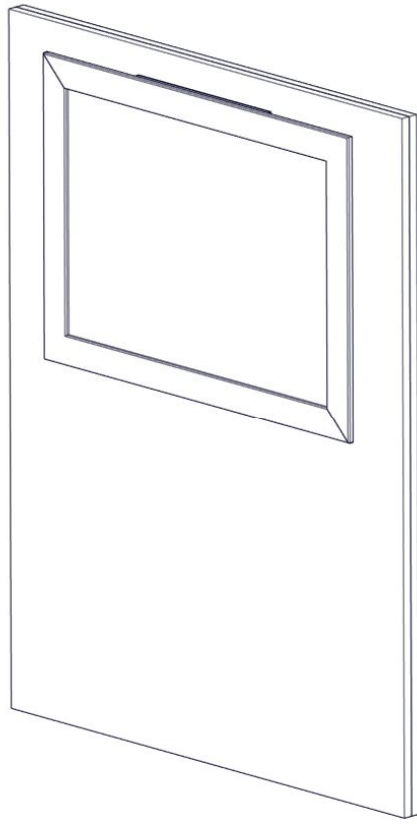
# Step 5



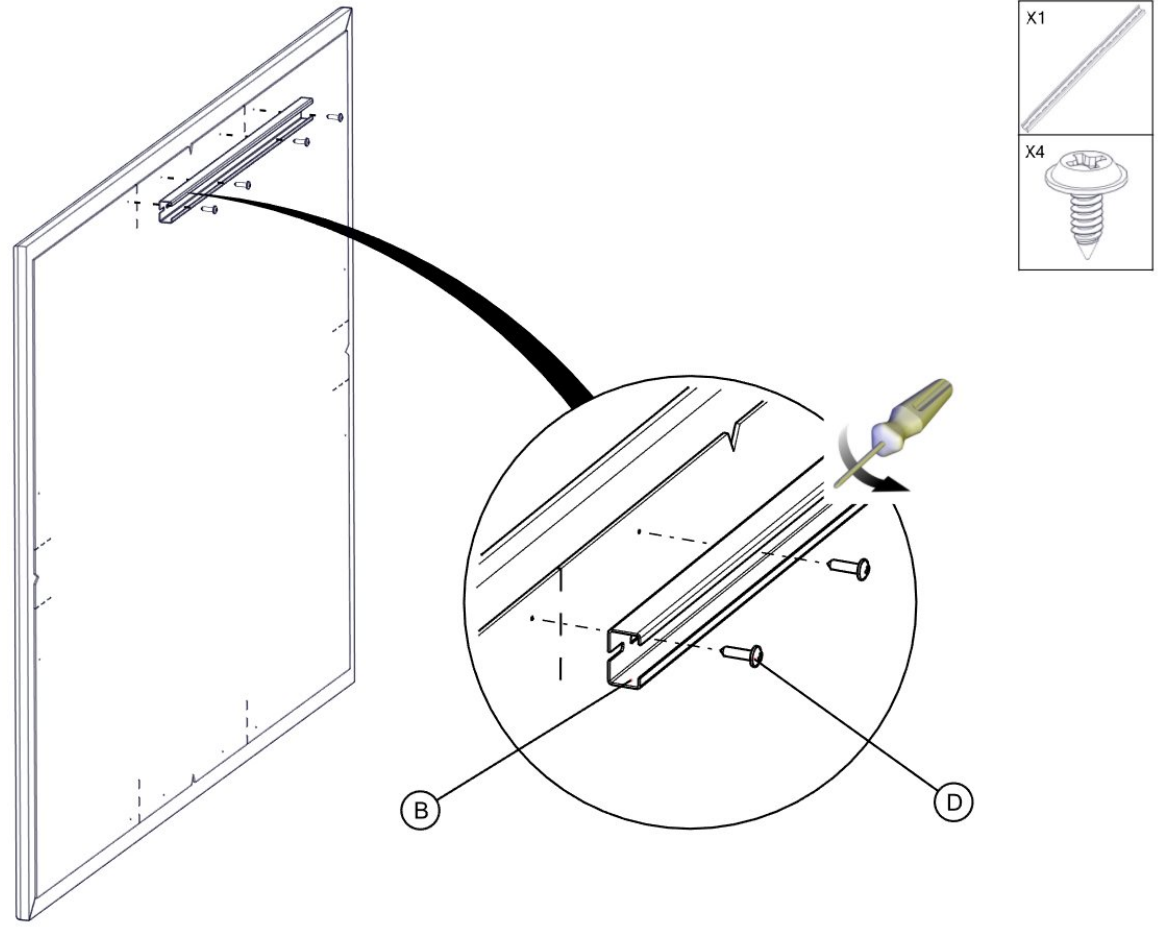
# Step 6



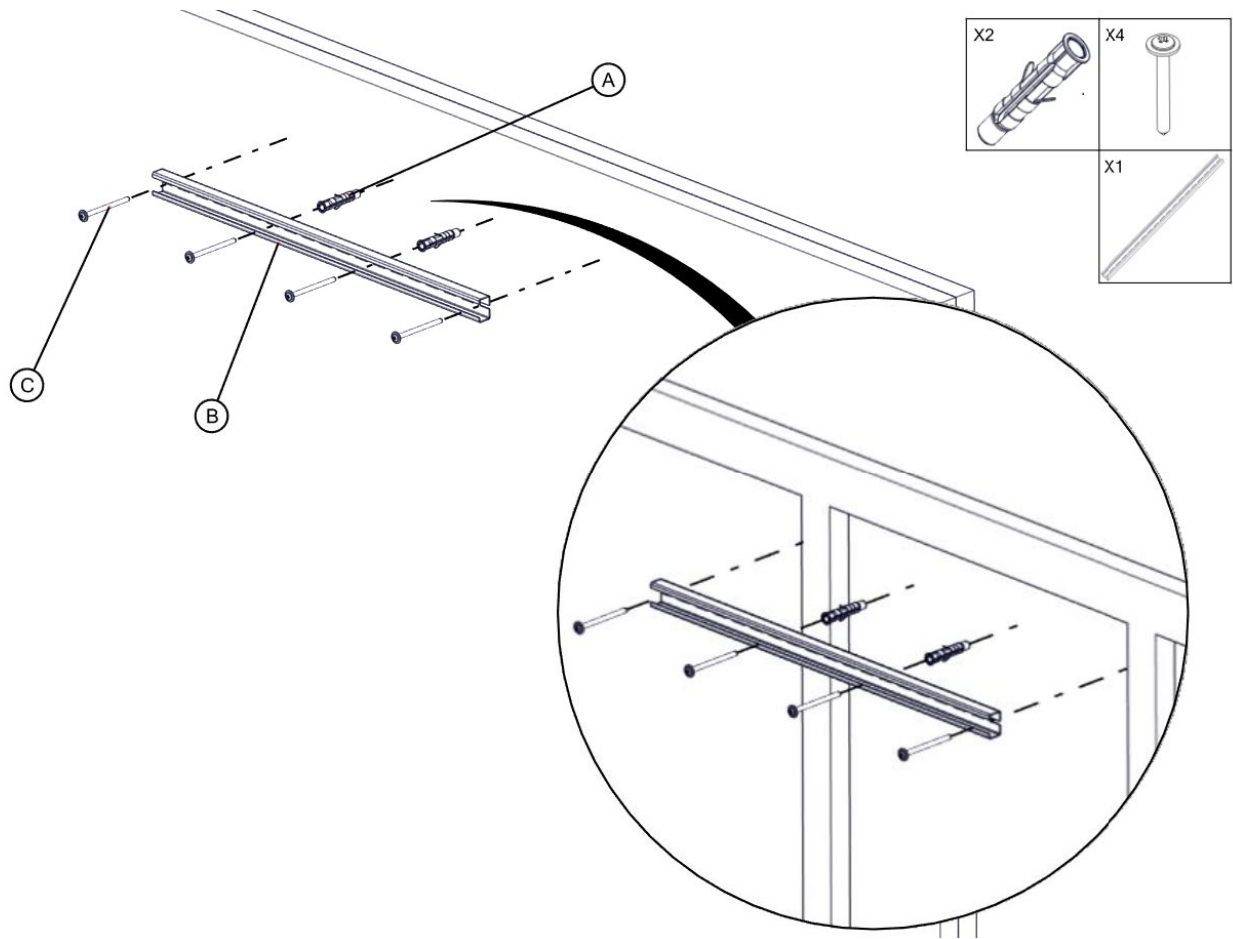
# Step 7



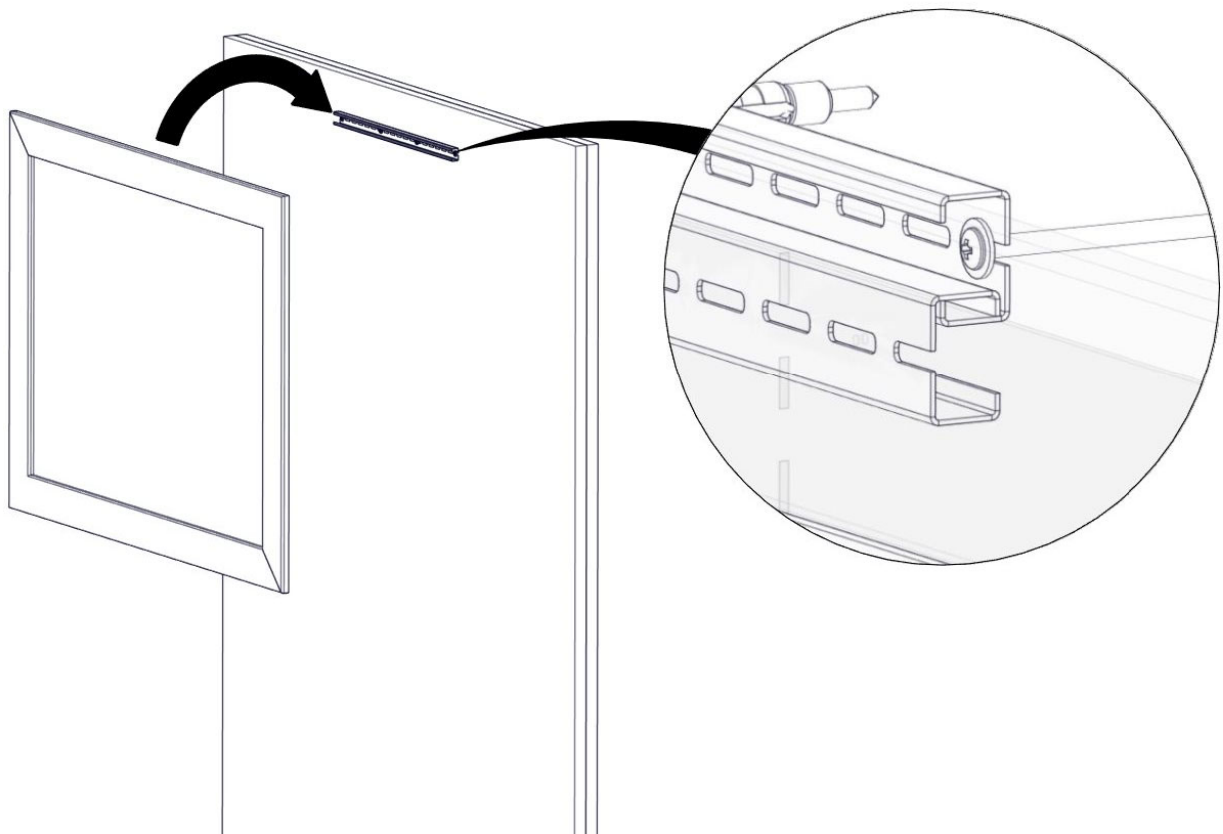
# Step 8



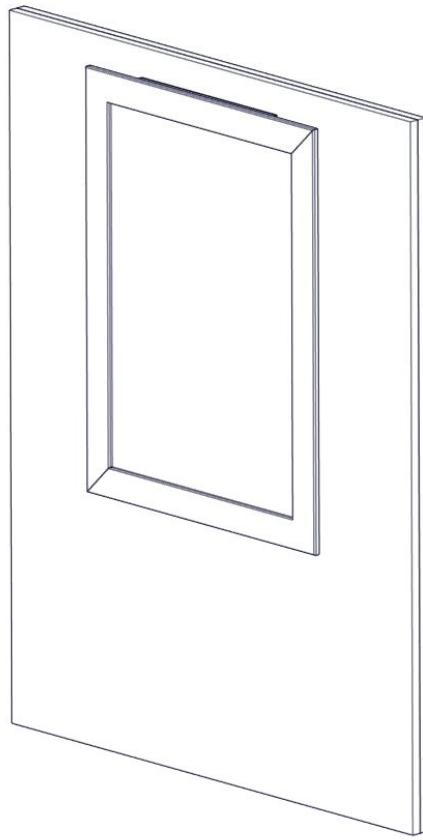
# Step 9



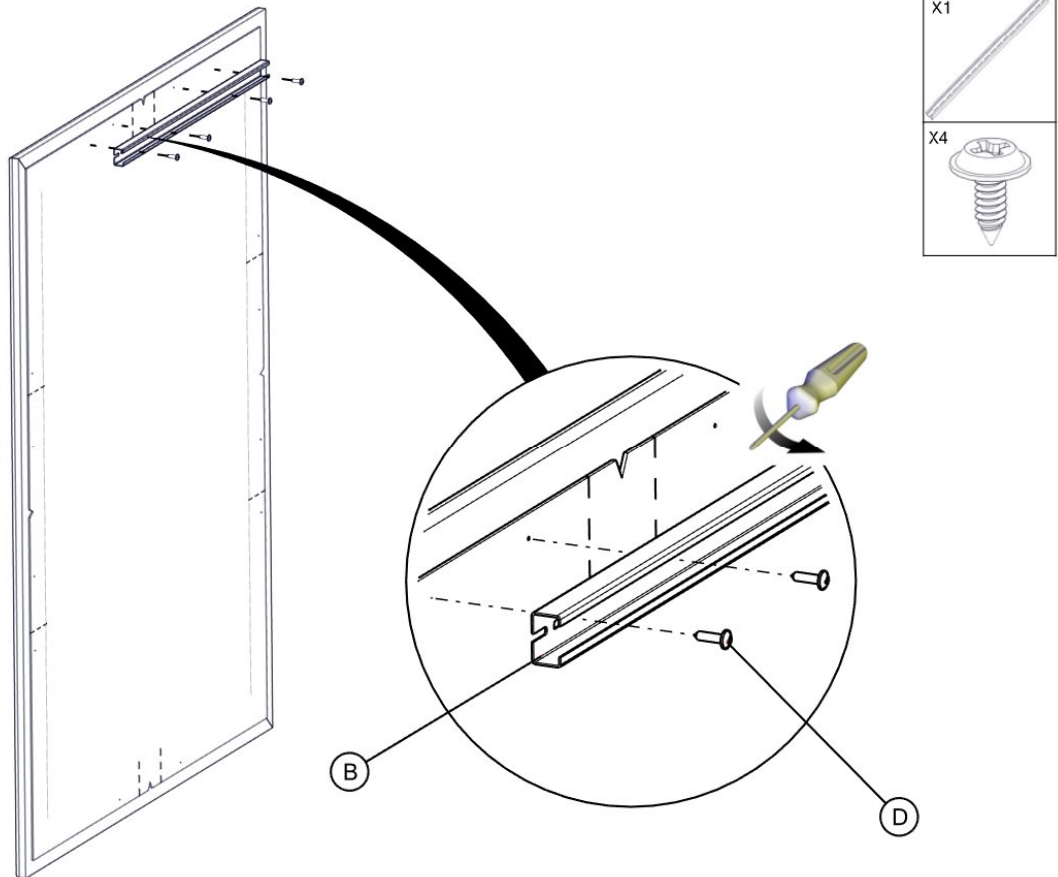
# Step 10



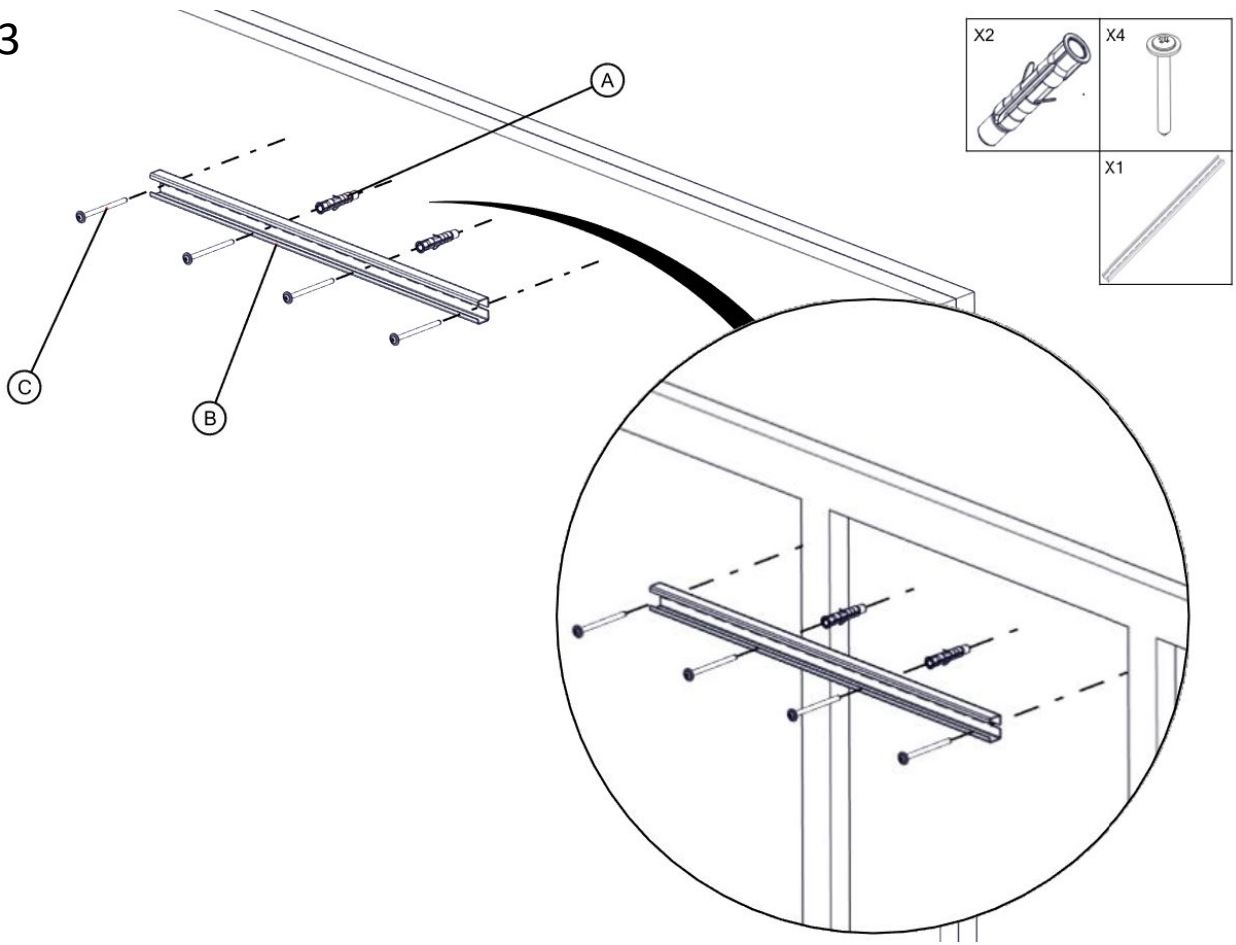
# Step 11



# Step 12



# Step 13



# Step 14

