

**INSTRUCTION MANUAL ENCLOSED**

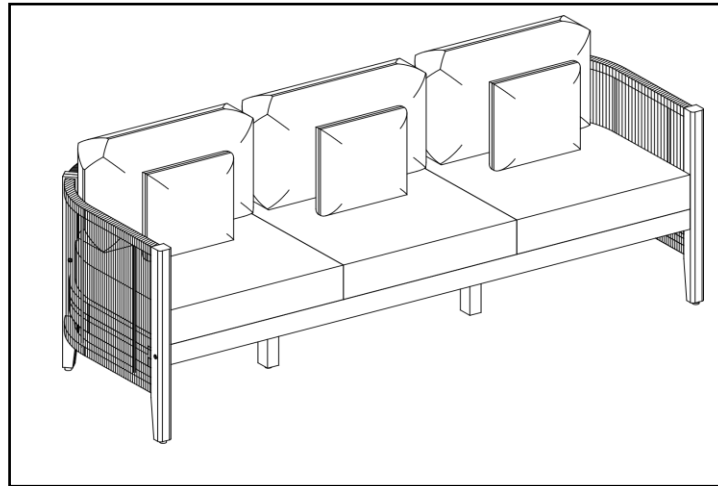
**ATTENTION**

**IF YOU HAVE ANY PROBLEMS OR QUESTIONS, EMAIL OR CALL  
CUSTOMER SERVICE BEFORE YOU RETURN THIS PRODUCT TO THE  
STORE WHERE IT WAS PURCHASED.**

# INSTRUCTION MANUAL ENCLOSED

## OUTDOOR BENCH

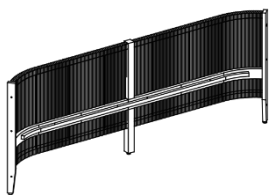
### OUTDOOR BENCH ASSEMBLY INSTRUCTION



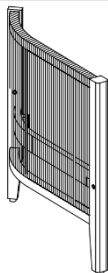
#### PARTS LIST

Part	Description	Quantity
	<i>PARTS</i>	
A	Backrest Panel	1
B	Left Leg Panel	1
C	Right Leg Panel	1
D	Support Bar	1
E	Seat Panel	1
F	Mid Legs	2
G	Left Seat Cushion	1
H	Middle Seat Cushion	1
I	Right Seat Cushion	1
K	Back Cushion	3
L	Pillow	3
	<i>HARDWARE</i>	
M	Bolts (M6x30mm)	8
N	Sleeve Nut (M6x15mm)	6
O	Screws (M6x80mm)	2
P	Screws (M6x35mm)	4
Q	Screws (M4x20mm)	4
R	Allen Key	2
S	Screw Driver (Not Provided)	1

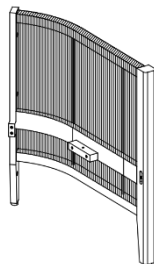
Ax1



Bx1



Cx1



Dx1



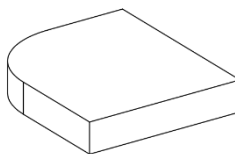
Ex1



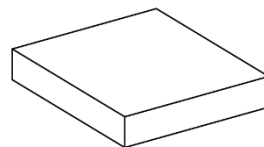
Fx2



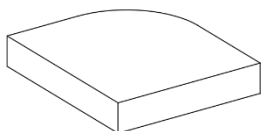
Gx1



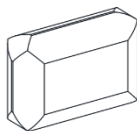
Hx1



I x1



K x3



L x3



M x 8



M6x30 mm

N x 6



M6x15 mm

Ox 2



M6x80 mm

P x 4



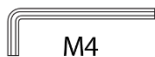
M6x35mm

Q x 4



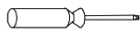
M4x20mm

R x 2



M4

S x 1



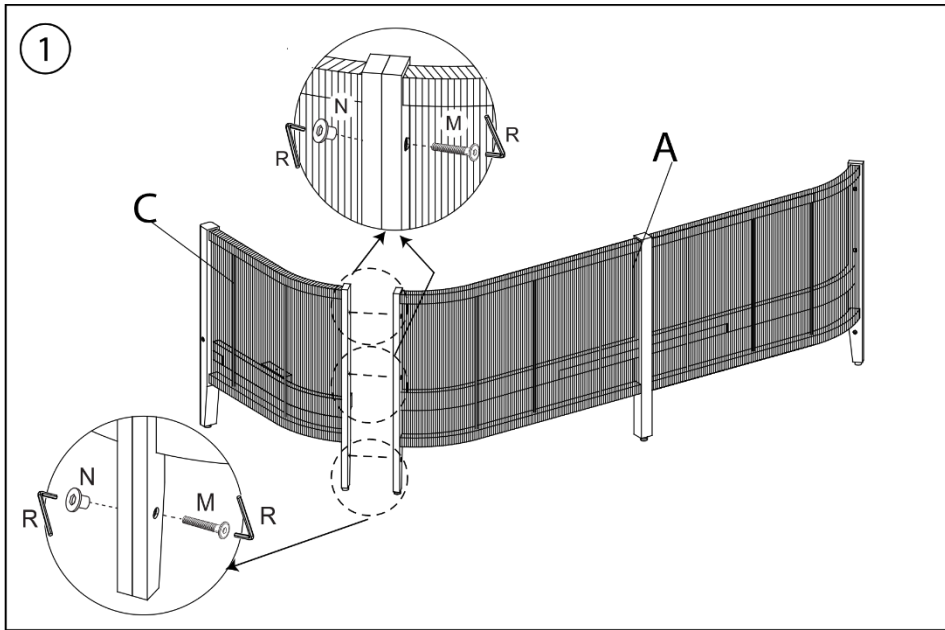
Not Provided

**PLEASE READ AND FOLLOW ALL SAFETY TIPS**

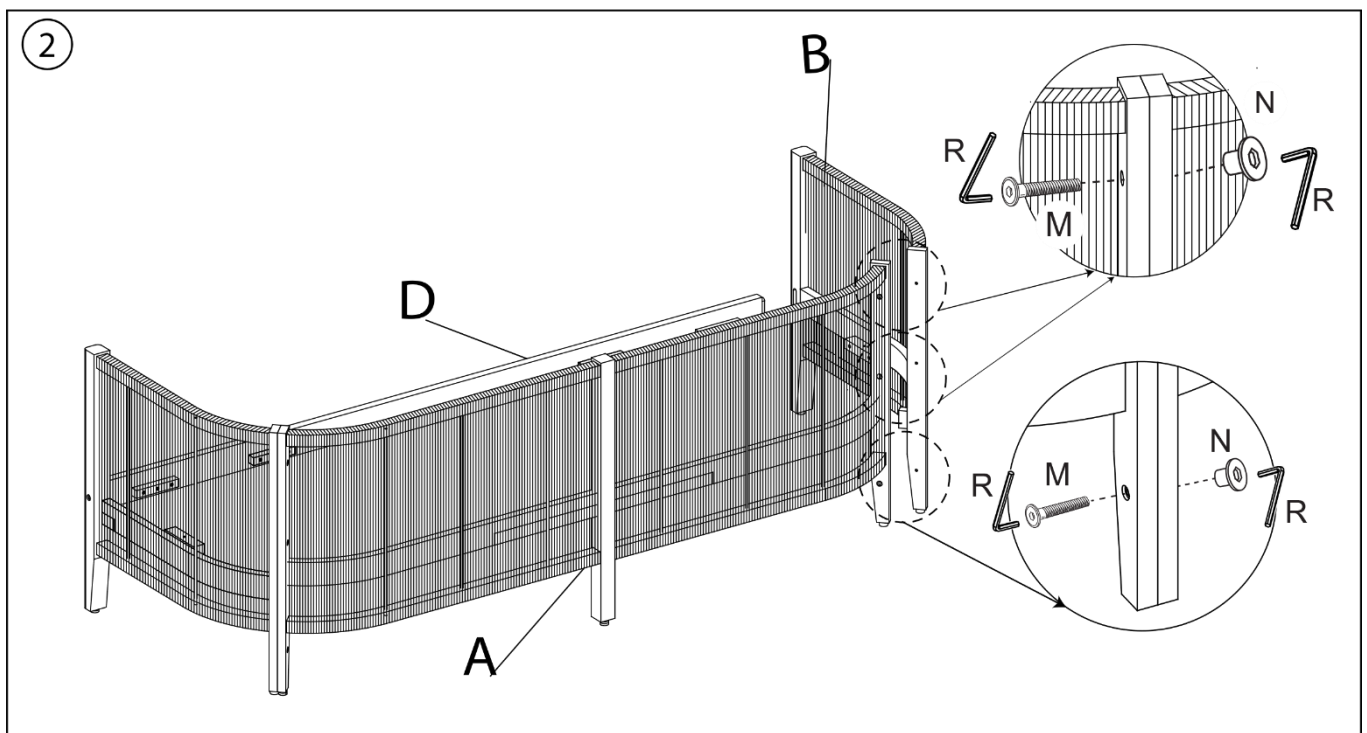
**Warm Tips:**

1. The plastic covers on some metal parts are just for product protection. Please remove it before assembly.
2. Please follow the sequence of AI during assembly.
3. Do not tighten the screws until all of them are in right positions.

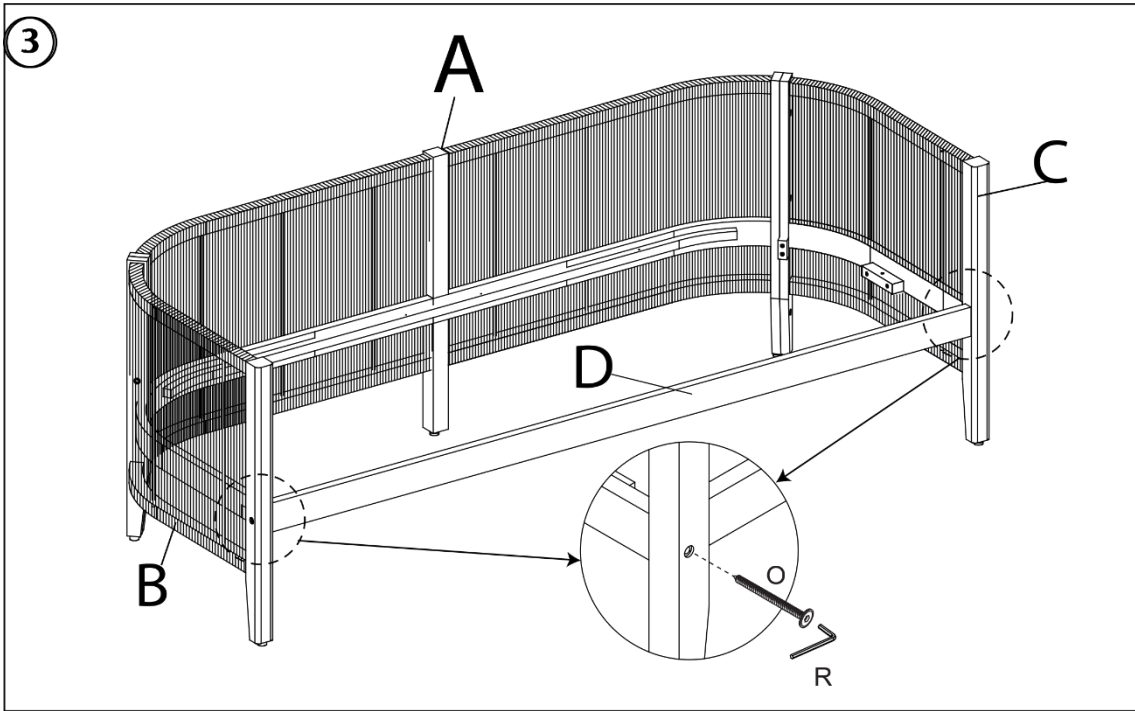
1. Position Right Leg Panel (C) to the Backrest Panel (A) by the Bolts (M) and the Sleeve Nut (N) by using Allen Key (R). It should have 3 bolts fastened. (Photo 1)



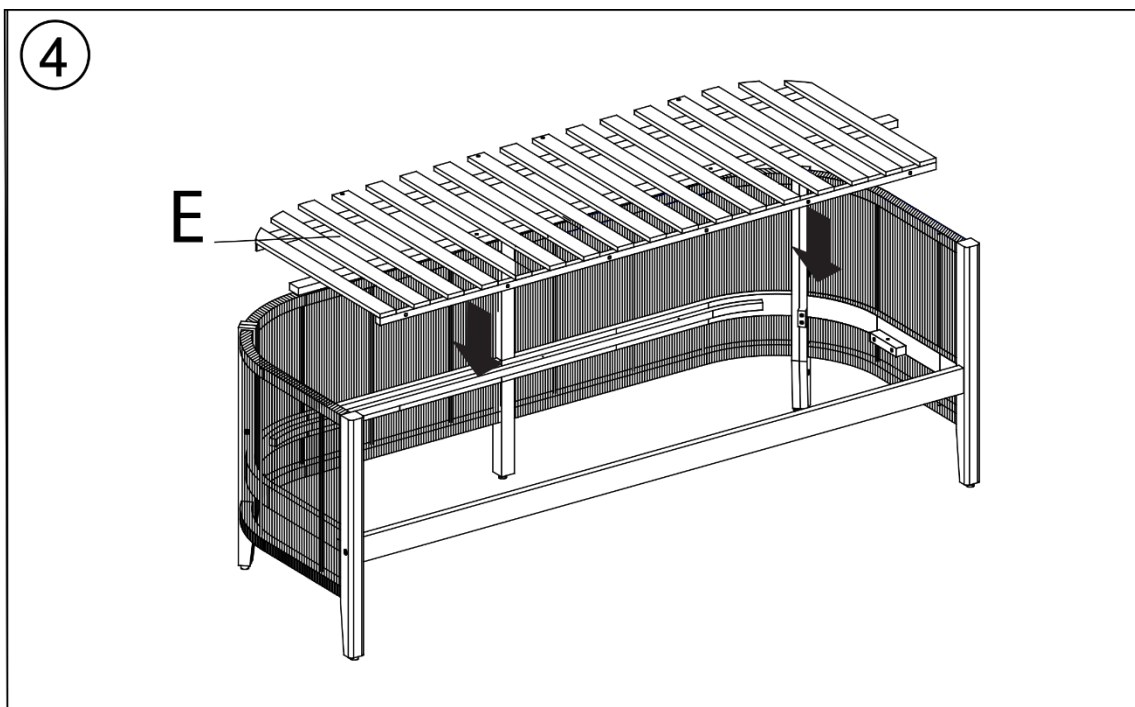
2. Position Left Leg Panel (B) to the Backrest Panel (A) by the Bolts (M) and the Sleeve Nut (N) by using Allen Key (R). It should have 3 bolts fastened. (Photo 2)



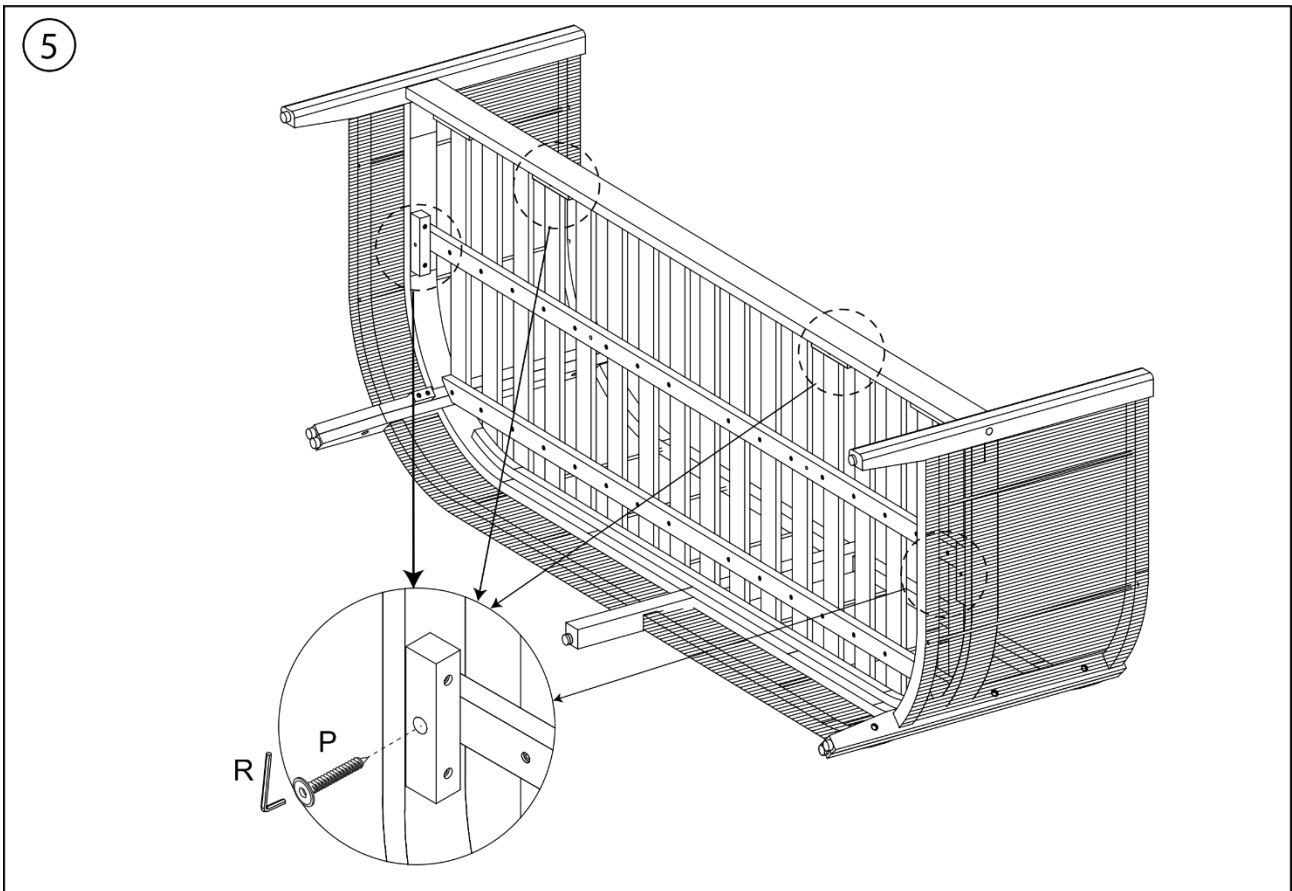
3. Connect Right Leg Panel (C) to Left Leg Panel (B) by the Support Bar (D). Use Allen key (R) to fix the Screws (O) each side. It should have 1 bolt fastened for each side. (Photo 3)



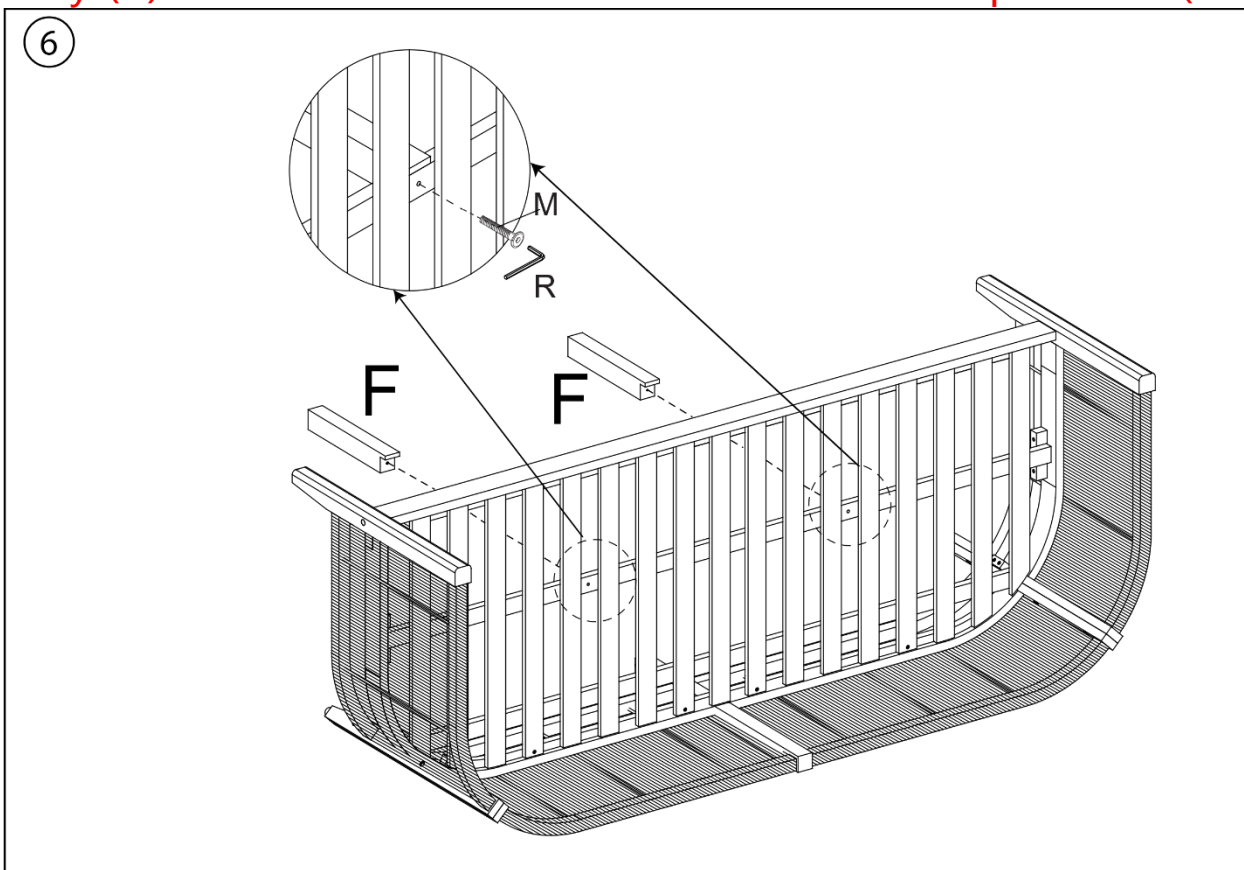
4. Put the Seat Panel (E) down. (Photo 4)



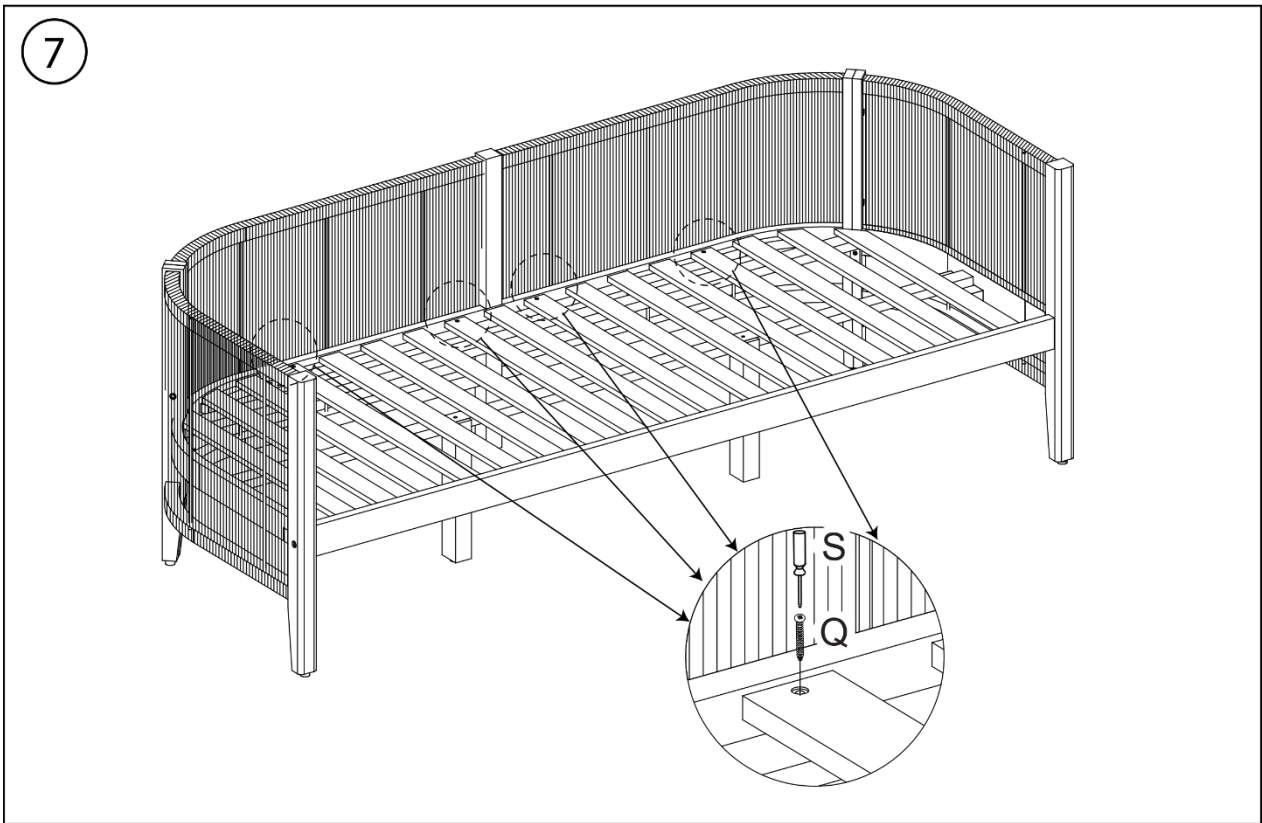
5. Let the Bench lie down. Use Screws (P) to tighten by the Allen key (R). It should have 4 bolts fastened. (Photo 5)



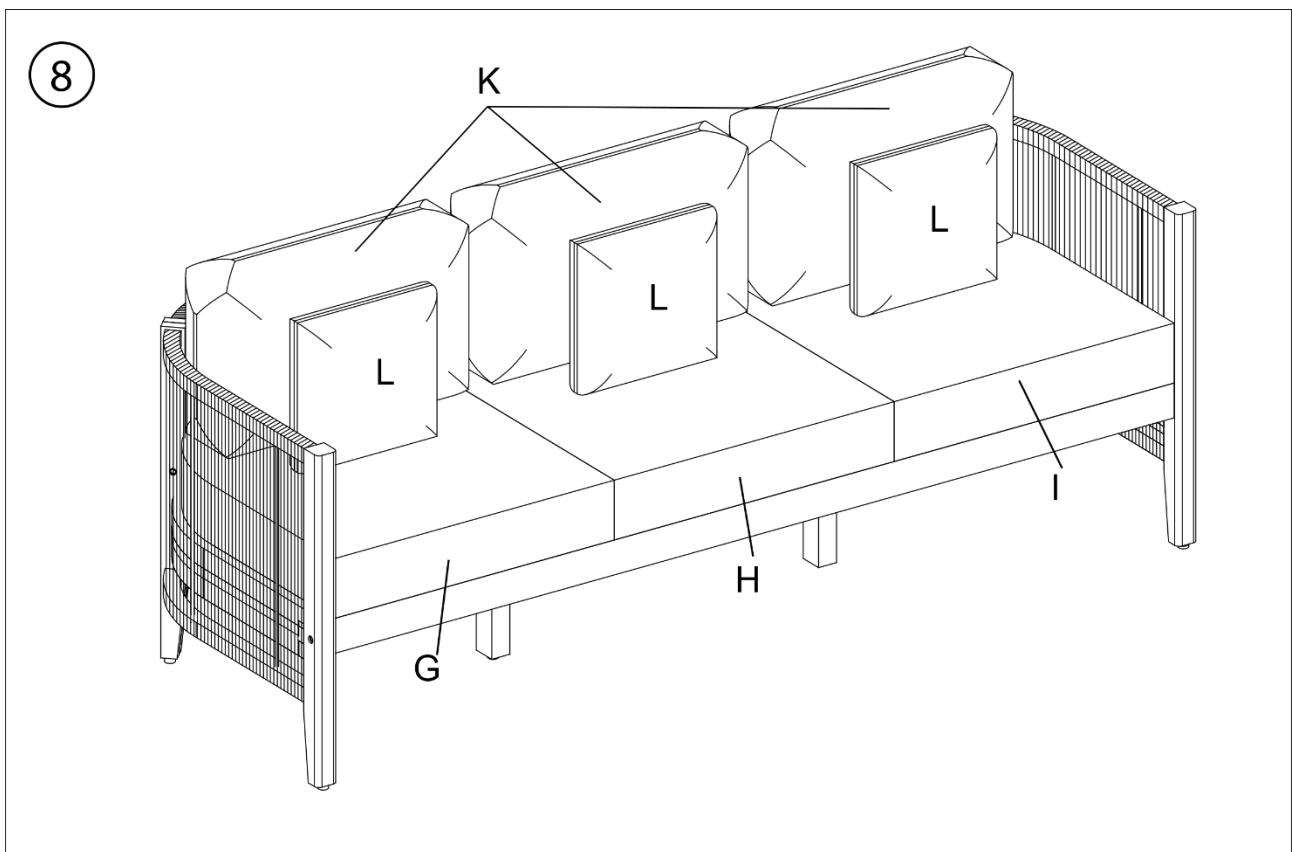
6. Connect 2 Mid Legs to the Seat Panel by using Bolts (M) by the Allen key (R). It should have 1 bolt fastened for each position. (Photo 6)



7. Let the bench back to the straight direction. Wrench the Screws (Q) by the Screw Driver (S). It should have 4 bolts fastened. (Photo 7)



8. Put Right Seat Cushion (I), Left Seat Cushion (G), Middle Seat Cushion (H), Back Cushion (K), Pillow (L) into the Bench. (Photo 8)

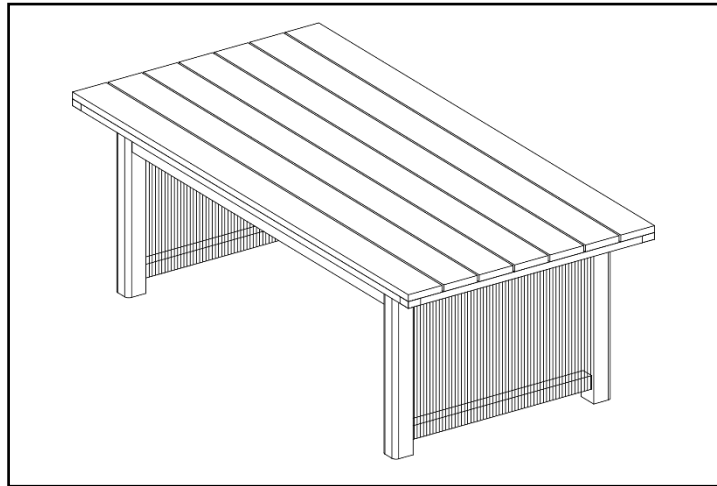


You have completed assembling the furniture – enjoy!

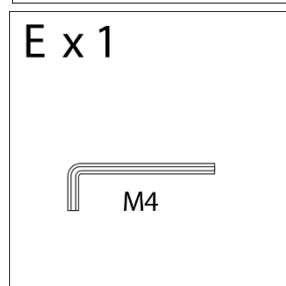
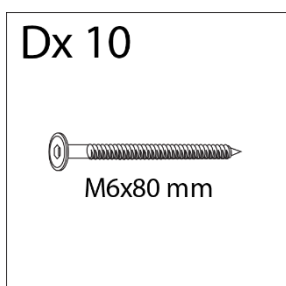
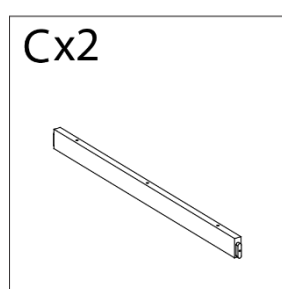
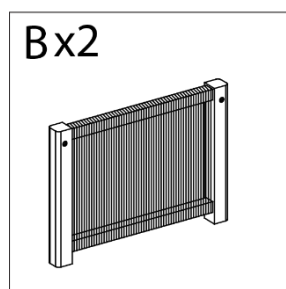
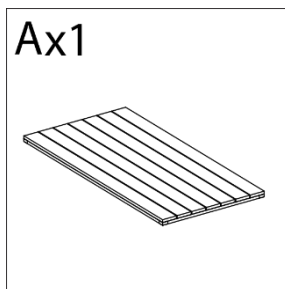
# INSTRUCTION MANUAL ENCLOSED

## OUTDOOR DINNING TABLE

### OUTDOOR DINNING TABLE ASSEMBLY INSTRUCTION



Part	PARTS LIST Description	Quantity
	<b>PARTS</b>	
A	Table Top	1
B	Table Leg	2
C	Support Bar	2
	<b>HARDWARE</b>	
D	Screws (M6x80mm)	10
E	Allen Key	1

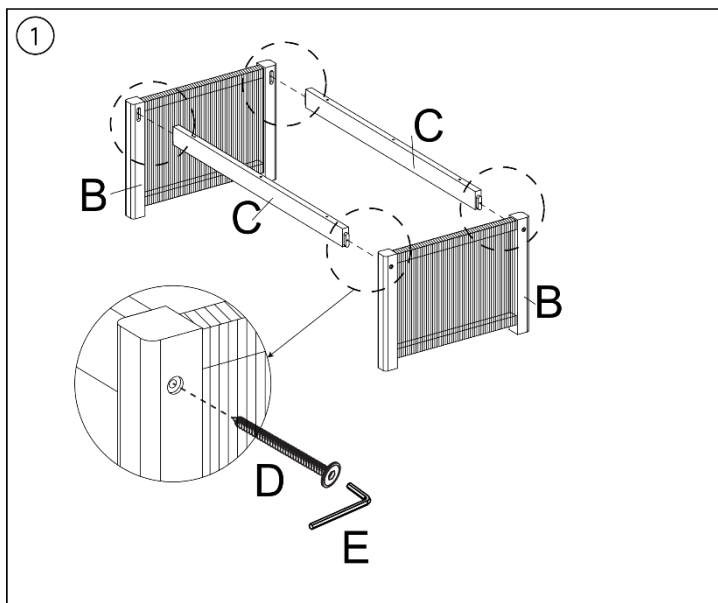


## PLEASE READ AND FOLLOW ALL SAFETY TIPS

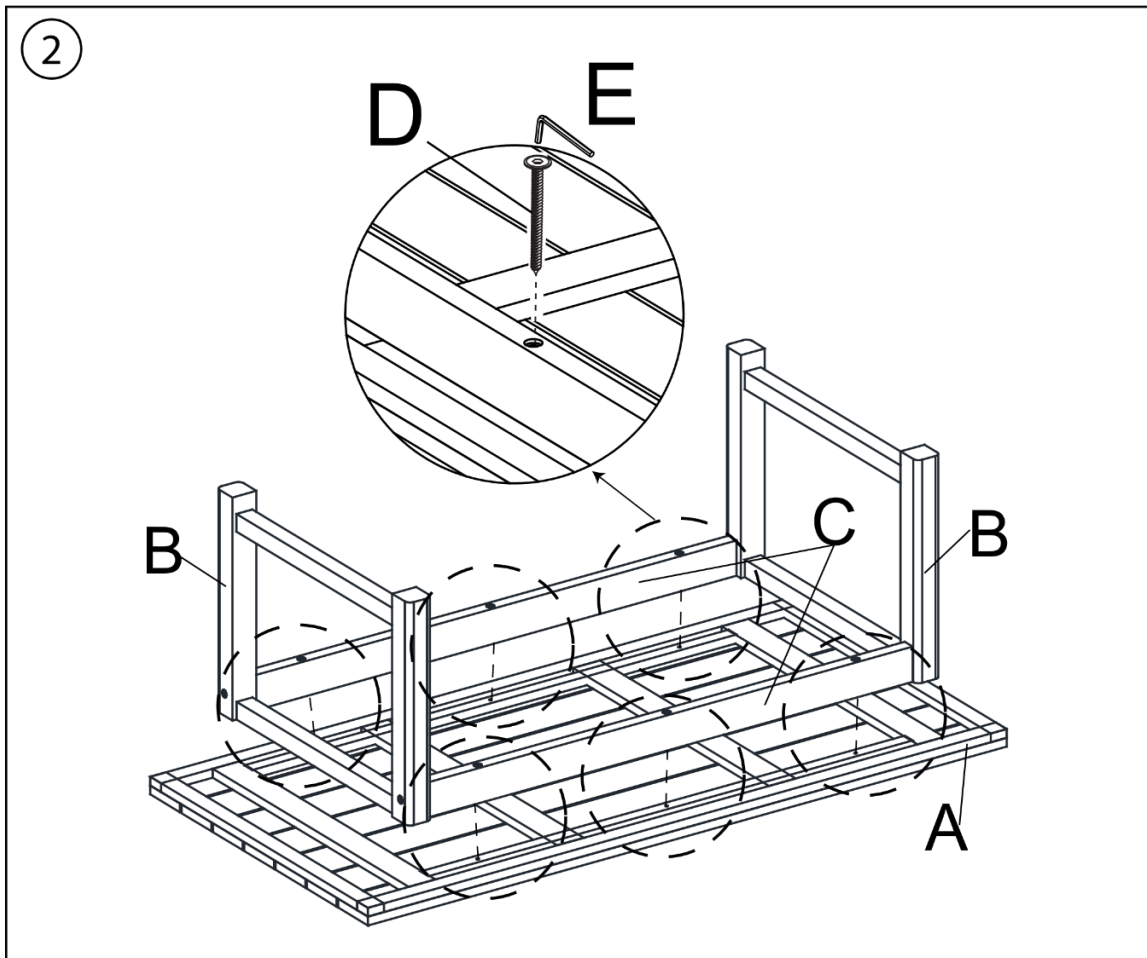
### Warm Tips:

1. The plastic covers on some metal parts are just for product protection. Please remove it before assembly.
2. Please follow the sequence of AI during assembly.
3. Do not tighten the screws until all of them are in right positions.

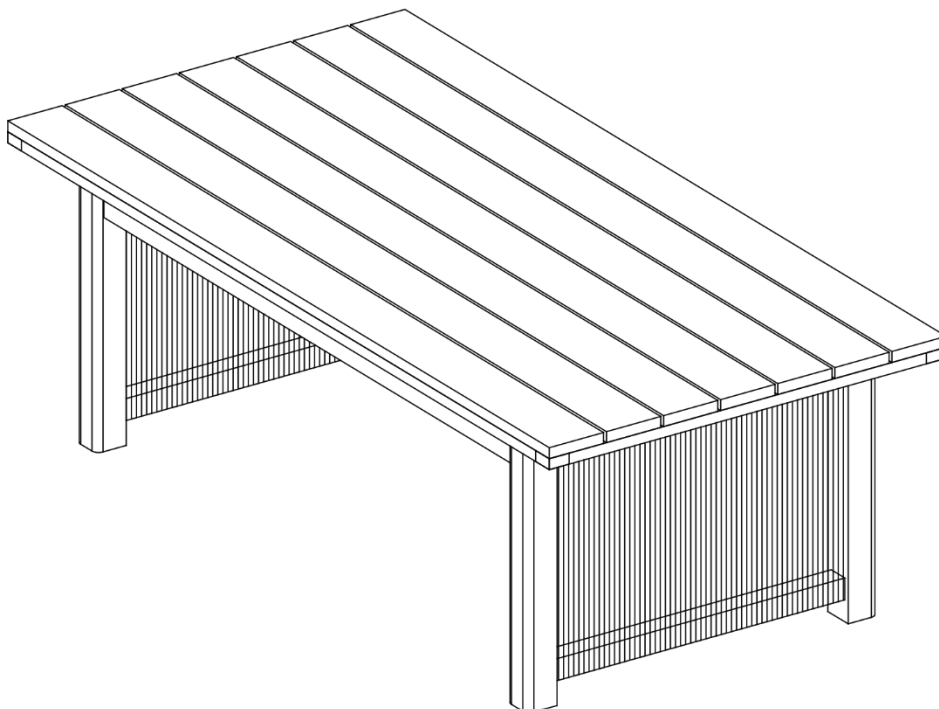
1. Connect each Table Leg (B) to the Support Bar (C) by the Screws (D) by using Allen Key (E). It should have 2 bolts fastened for each side. (Photo 1)



2. Let the table top (A) overturned in a plane. Position Table Legs and Support Bars into the table top. Wrench Screws (D) by the Allen Key (E). It should have 3 bolts fastened for each side. (Photo 2)



3. Let the table in the straight direction.



You have completed assembling the furniture - enjoy!