

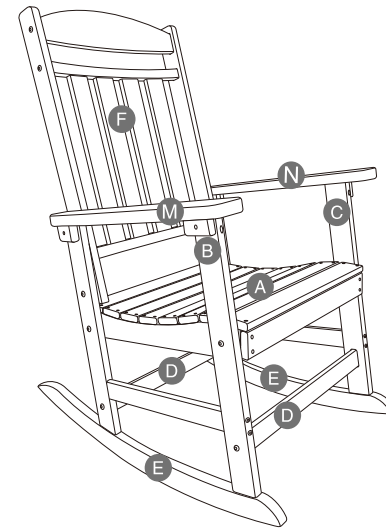
**IMPORTANT
RETAIN FOR FUTURE REFERENCE
READ CAREFULLY**

Assembly Instructions



Note:

1. Do not use electric screwdriver.
2. Two people are required to assemble this item. Assemble the item on a flat, solid and even surface.
3. Make sure that all the necessary parts are in the carton before starting the assembly.
4. Please secure all parts and bolts loosely, only when the frame is complete should you fully tighten the screws.
5. If any instability occurs, loosen the screws, re-align the components as necessary and re-tighten the screws evenly.
6. This item is not a climbing frame or toy.
7. Danger of suffocation. Keep out of reach of children.



Hardware List

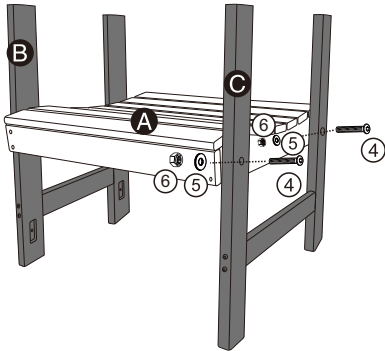
| | | | |
|--|---|--|--|
| <p>1</p> <p>M6x100mm Screw</p> <p>4PCS</p> | <p>2</p> <p>M6x60mm Screw</p> <p>4PCS</p> | <p>3</p> <p>M6x85mm Bolt</p> <p>2PCS</p> | <p>4</p> <p>M6x60mm Bolt</p> <p>8PCS</p> |
| <p>5</p> <p>M6 WASHER</p> <p>10PCS</p> | <p>6</p> <p>M6 NUT</p> <p>10PCS</p> | <p>7</p> <p>No.10 Spanner</p> <p>1PC</p> | <p>8</p> <p>S5 Allen key</p> <p>1PC</p> |

Parts List

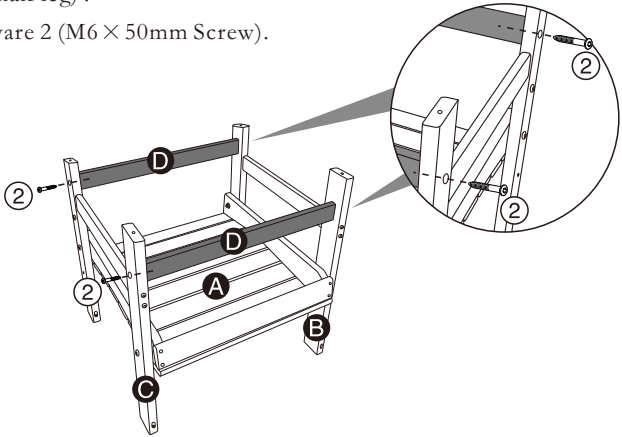
| | | | |
|---|--|---|---|
| <p>A</p> <p>Chair Seat</p> <p>1PC</p> | <p>B</p> <p>Right Chair Leg</p> <p>1PC</p> | <p>C</p> <p>Left Chair Leg</p> <p>1PC</p> | <p>D</p> <p>Front&Back Rail</p> <p>2PCS</p> |
| <p>E</p> <p>Rheboscelia</p> <p>2PCS</p> | <p>F</p> <p>Chair Backrest</p> <p>1PC</p> | <p>M</p> <p>Right Armrest</p> <p>1PC</p> | <p>N</p> <p>Left Armrest</p> <p>1PC</p> |

Assembly

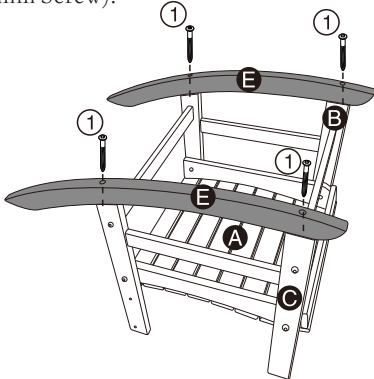
Step 1: Attach part B (right chair leg) to part A (Chair Seat), Repeat part C (left chair leg) operation on the other side. Using Hardware 4 (M6*60mm Bolt), Hardware 5(M6 Washer) and Hardware 6 (M6 Nut).



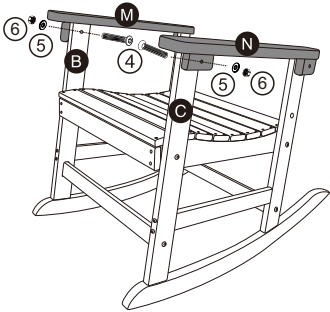
Step 2: Connect part D (Front&back rail) to part B (right chair leg) and part C (left chair leg). Using Hardware 2 (M6 × 50mm Screw).



Step 3: Put part E (Rheboscelia) onto the chair legs and secure with Hardware1 (M6 × 100mm Screw).



Step4: Secure part M (Right Armrest) to part B (Right Chair Leg). Secure part N (Left Armrest) to part C (Left Chair Leg). Using Hardware4 (M6 x 60mm Bolt)、 Hardware 5 (M6 Washer) and Hardware 4 (M6 Nut).



Step5: Insert part F (chair backrest) into chair arm ,using Hardware3 (M6 × 90mm Bolt)、 Hardware4 (M6 × 60mm Bolt)、 Hardware 5 (M6 Washer) and Hardware 6(M6 Nut) . After this step, please fully tighten all bolts if you check all the parts are positioned. Assembly is complete.

