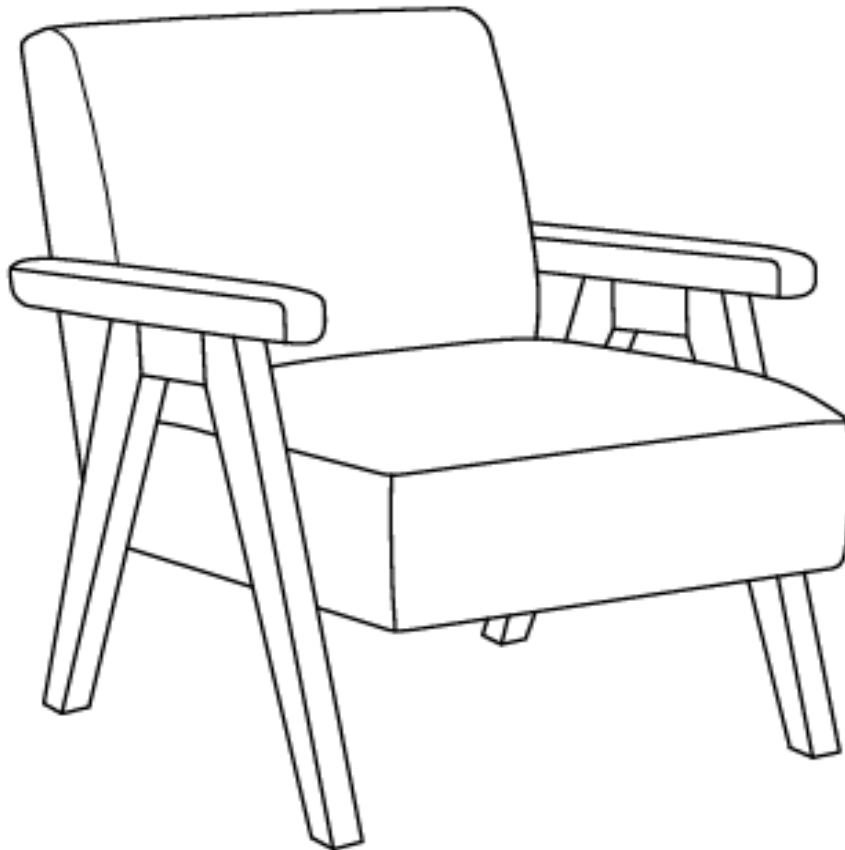


G39-47 STYLE
ACCENT CHAIR
ASSEMBLY INSTRUCTIONS

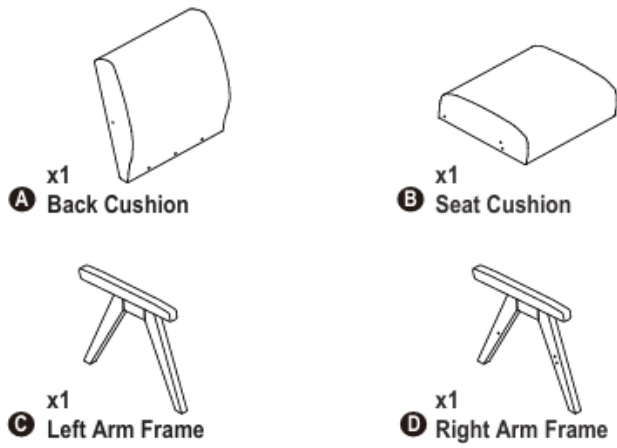


THIS INSTRUCTION BOOKLET CONTAINS IMPORTANT SAFETY INFORMATION.
PLEASE READ AND KEEP FOR FUTURE REFERENCE.

NOTE:

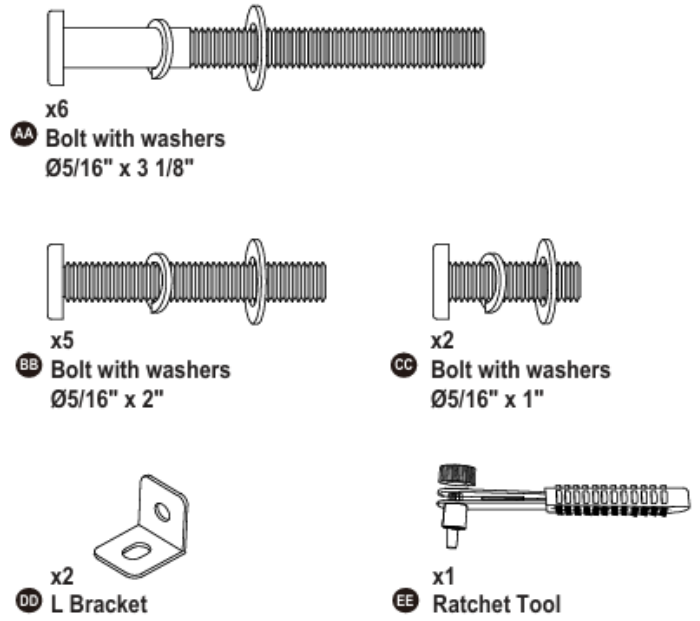
- Please read the instruction sheets completely before assembly.
- Remove all parts from carton and ensure all parts are included prior to assembly.

Included Parts



• UNPACK ON A SOFT, SMOOTH SURFACE AND INVENTORY ALL PARTS.

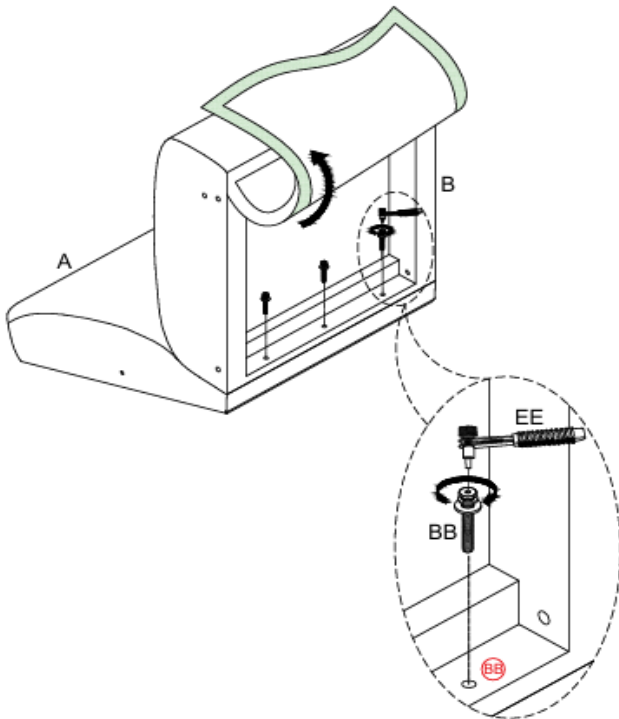
Hardware List



• DO NOT OVER TIGHTEN THE BOLTS.
ASSEMBLY BOLTS WILL REQUIRE PERIODIC TIGHTNING.

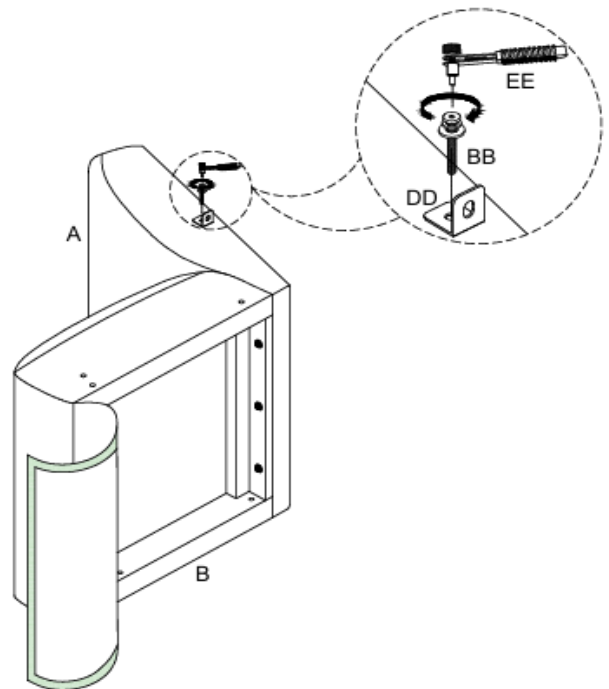
Assembly Instructions

Step 1: Secure Seat cushion (B) to back cushion (A) with Bolt with washers (BB)



Assembly Instructions

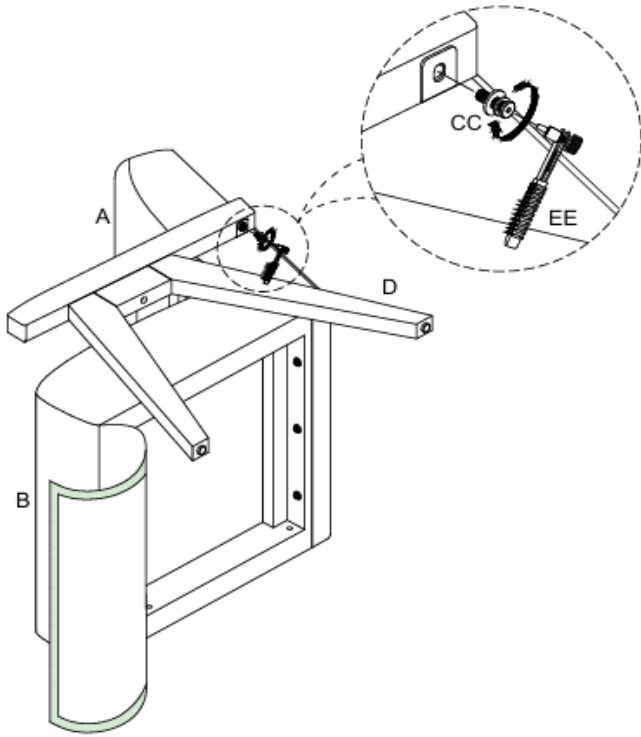
Step 2:



Assembly Instructions



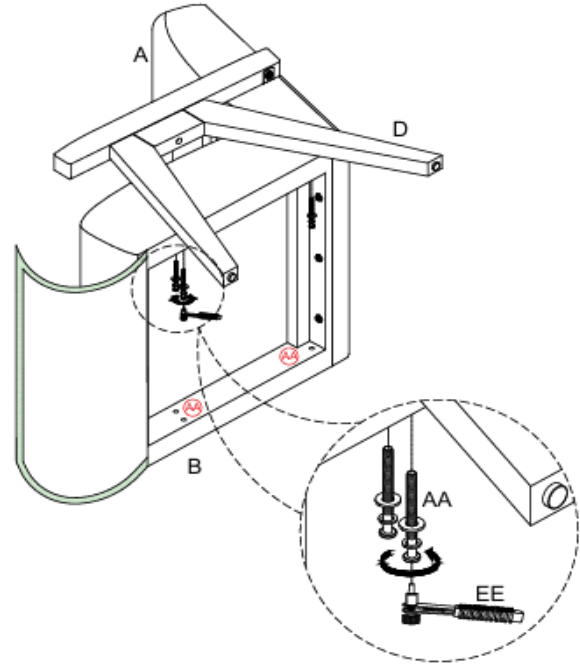
Step 3: Place Right arm frame (D) on seat and back as showing, secure L bracket on Right arm frame (D) to Back cushion (A) seat with Bolt with washers (CC) Do NOT tighten the bolt in this step.



Assembly Instructions



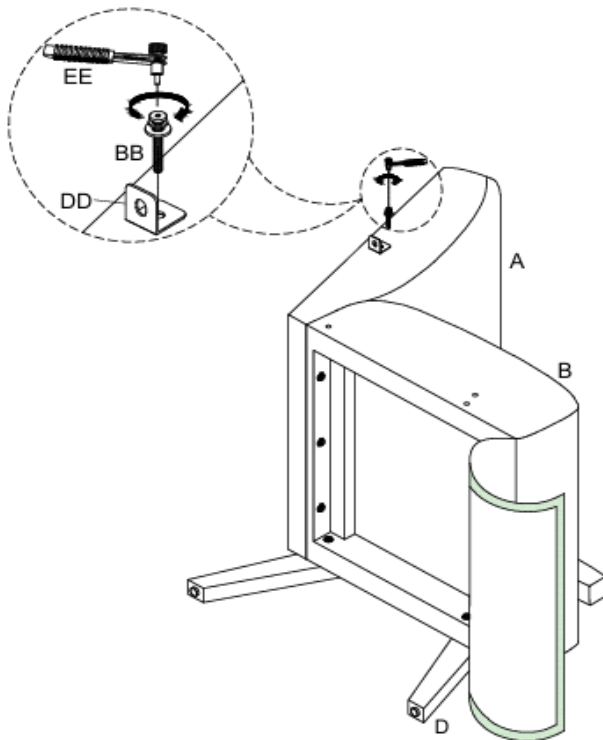
Step 4: Secure Seat cushion (B) and Right arm frame (D) with Bolt with washers (AA). Do NOT tighten the bolt in this step,



Assembly Instructions



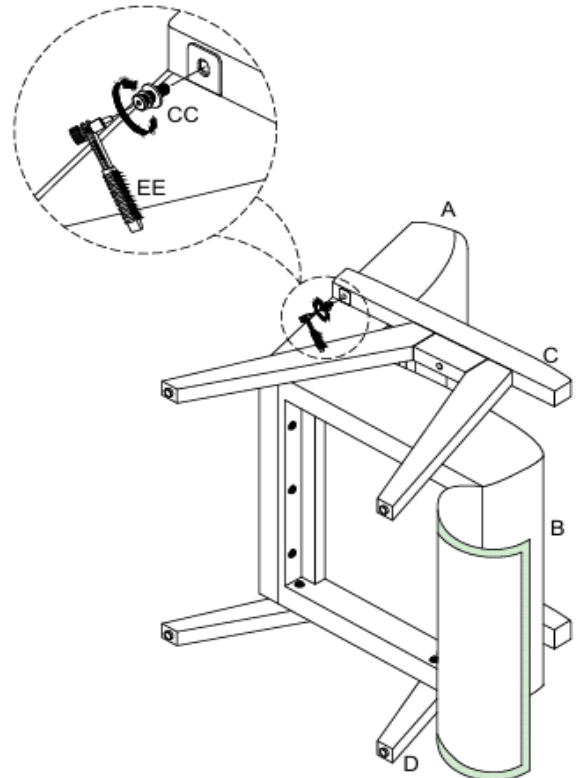
Step 5: Reverse the chair seat and arm, repeat the assembly.



Assembly Instructions



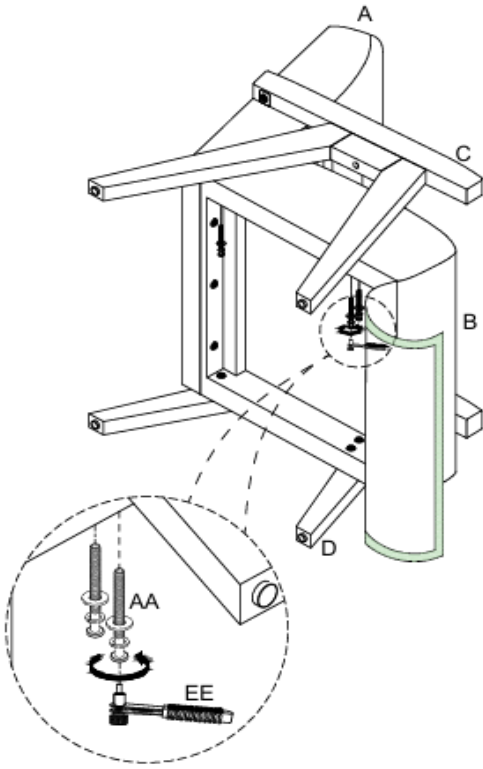
Step 6: Secure the L bracket (CC) on Left arm frame (C) with Back cushion (A) first.



Assembly Instructions



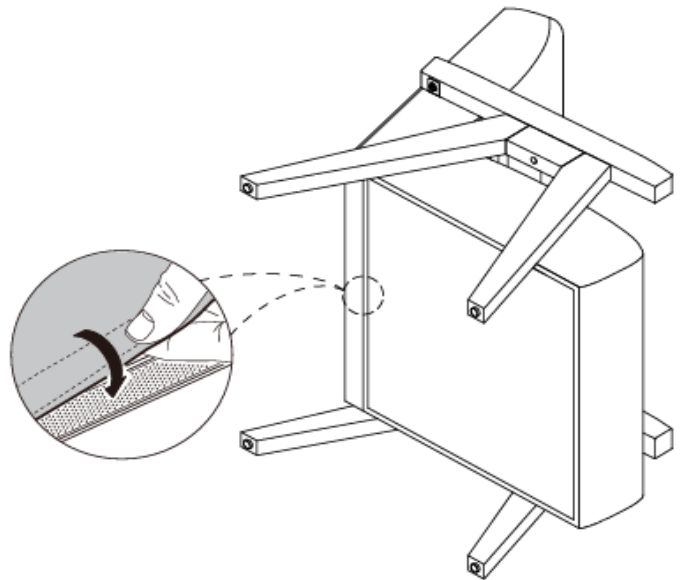
Step 7: Secure Seat cushion (B) and Left arm frame (C) with Bolt with washers (AA)
Do NOT tighten the bolt in this step.



Assembly Instructions



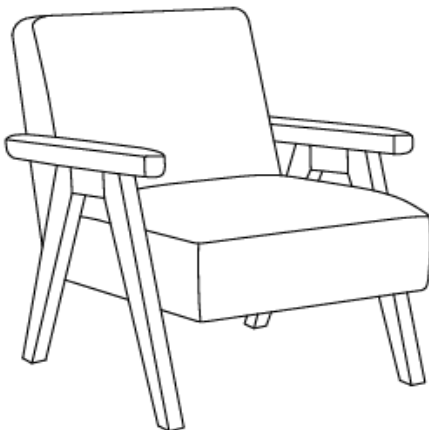
Step 8: Cover the bottom fabric and attach the velcro.



Assembly Instructions



Step 9: Place chair up right and check the levelness, then tighten all the bolts in this step.



Assembly Instructions



WARNING

- Do not leave children unattended on or beside the product.
- Discard the appliance if the covering shows any sign of deterioration, such as checking, blistering, or cracking.
- Keep dry. Do not use in a wet or moist environment.
- Do not stand on the seat cushion.
- Please do not place this product near sources of excessive heat.
- Please avoid use of sharp objects on or near this product.
- For persistent stains and overall cleaning, contact a professional upholstery cleaning company.
- Do not sit on the edge of the product.
- Wipe with a damp cloth if necessary.

- All warranties are limited to the original purchaser for normal use which is defined as a standard work week of forty hours by a person not exceeding weight capacity of 225lbs (102kgs).

Troubleshooting

Problem	Possible Cause	Prevention / Solution
Wobbling	Bolt is loose	Check bolts/screws periodically and tighten them if necessary



Maximum weight load capacity is 225 lbs (102 kgs)