









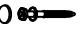



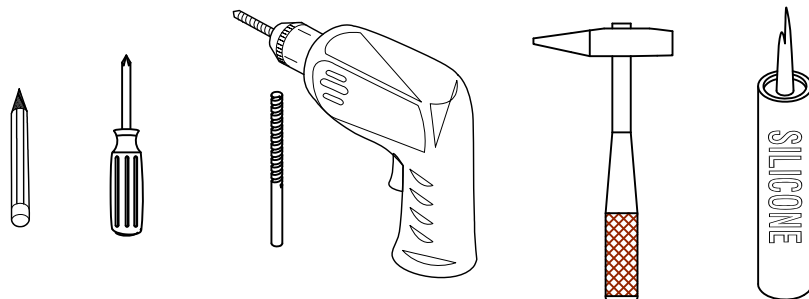


# Item NO.:BV B05848

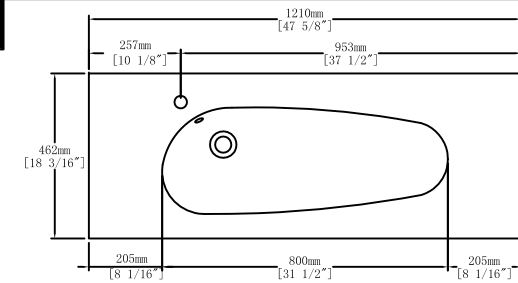
## Hardware

NO.	Draw	QTY	NO.	Draw	QTY
A	 Screws Ø4x14mm	56	I	 Hinges ( Internal hiding )	4
B	 Two-in-one connector	24	J	 Hinges ( Half cover )	2
C	 Two-in-one connector	24	K	 Screws Ø4x25mm	1
D	 Wood plug	5	L	 Door stopper	2
E	 Plastic anchor(Ø10mm)	4	M	 Anti-collision gasket	4
F	 Screws for fix on the wall	4	N	 Screwdriver	1
G	 Bracket (53x70x44mm)	2			
H	 Bracket (19x19x35mm)	2			

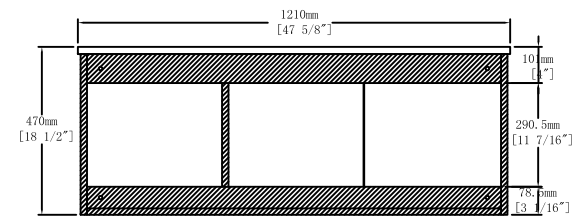
## Recommended tools



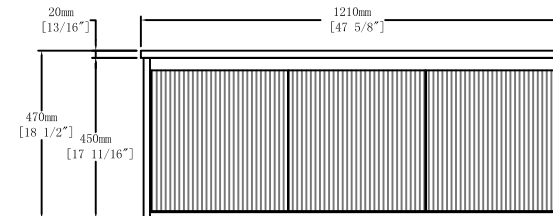
## Dimensions



Top View



Back View

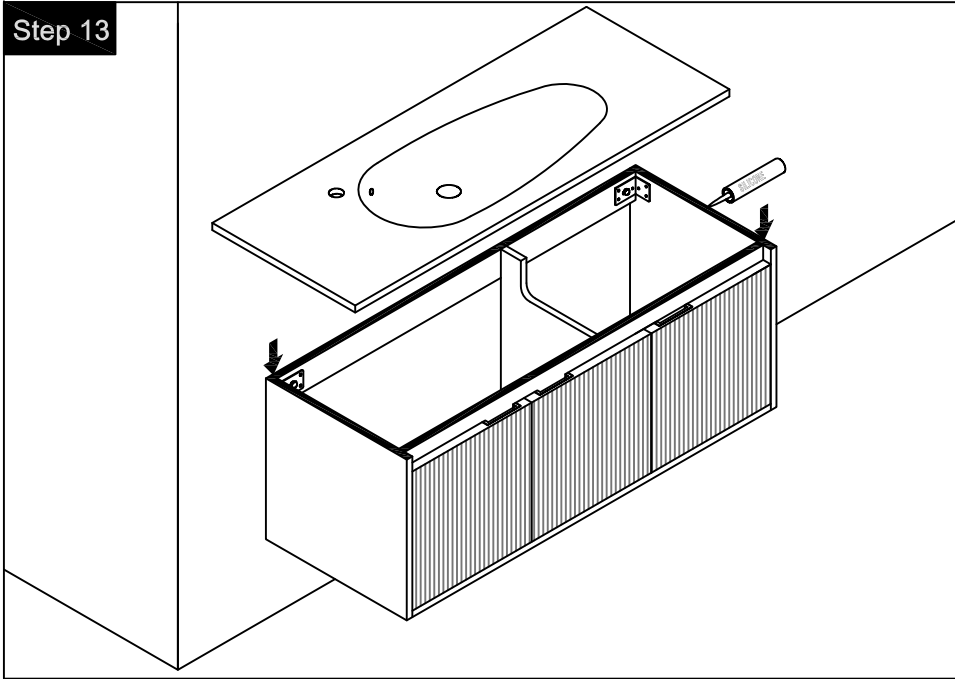


Front View

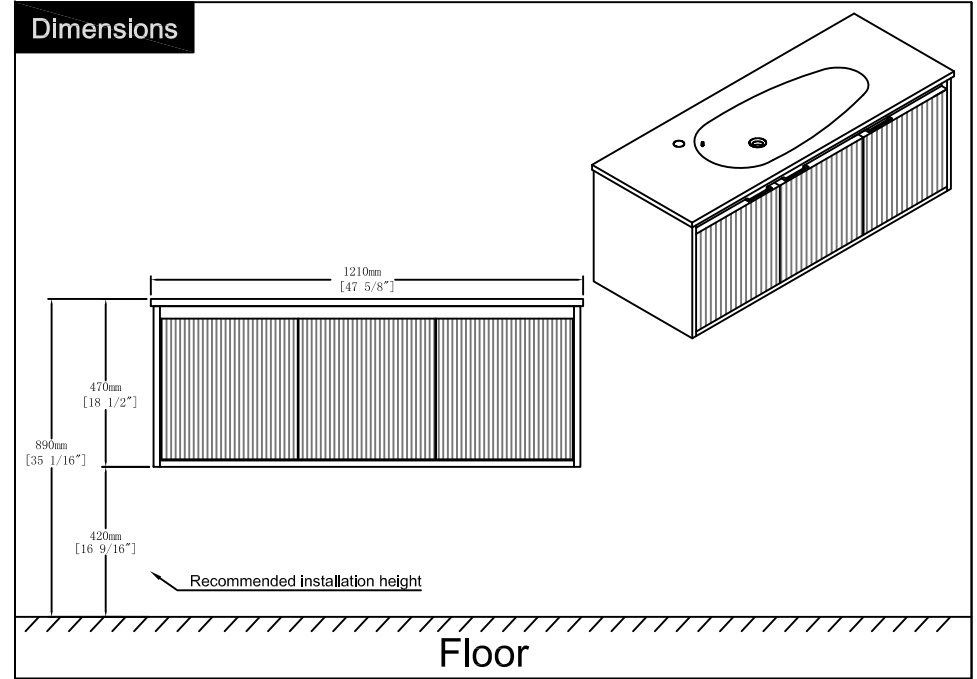
## CARE CLEANING AND MAINTENANCE

1. Dust regularly with a soft , dry cloth.
2. Avoid the use of all chemicals household cleaners, abrasives, or cleaners that contain lemon, vinegar, or other acids that may damage the finish.
3. Excessive exposure to sunlight and extreme changes in temperature and moisture can damage wood furniture.
4. The sink top is resilient, but care needs to be taken to preserve its appearance.
5. Do not place hot appliances, such as curling irons and hot hair dryers directly on the countertop. Wipe spills immediately.

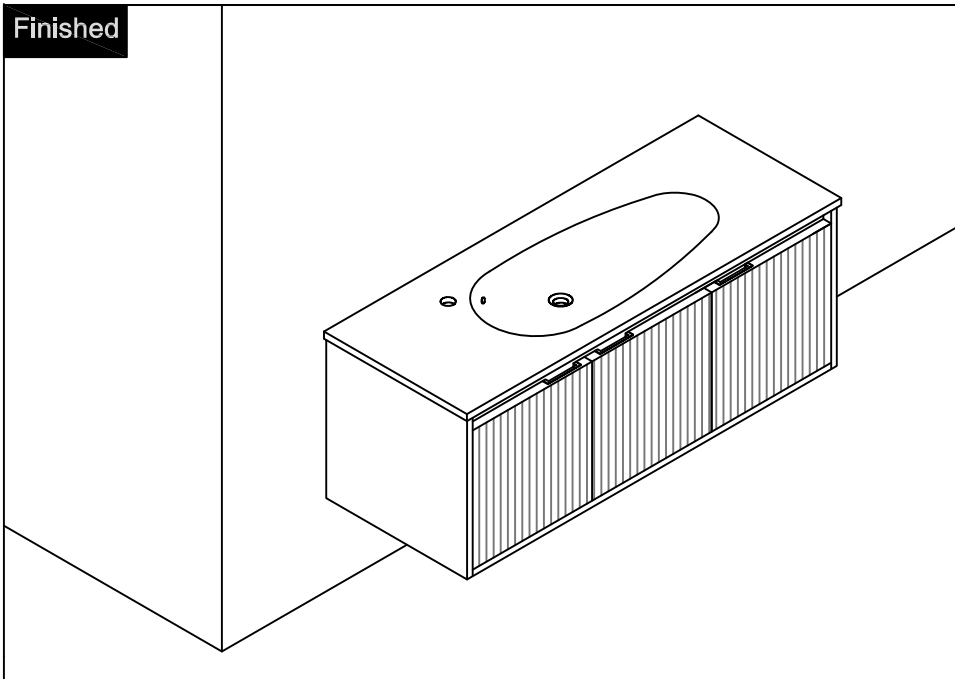
Step 13



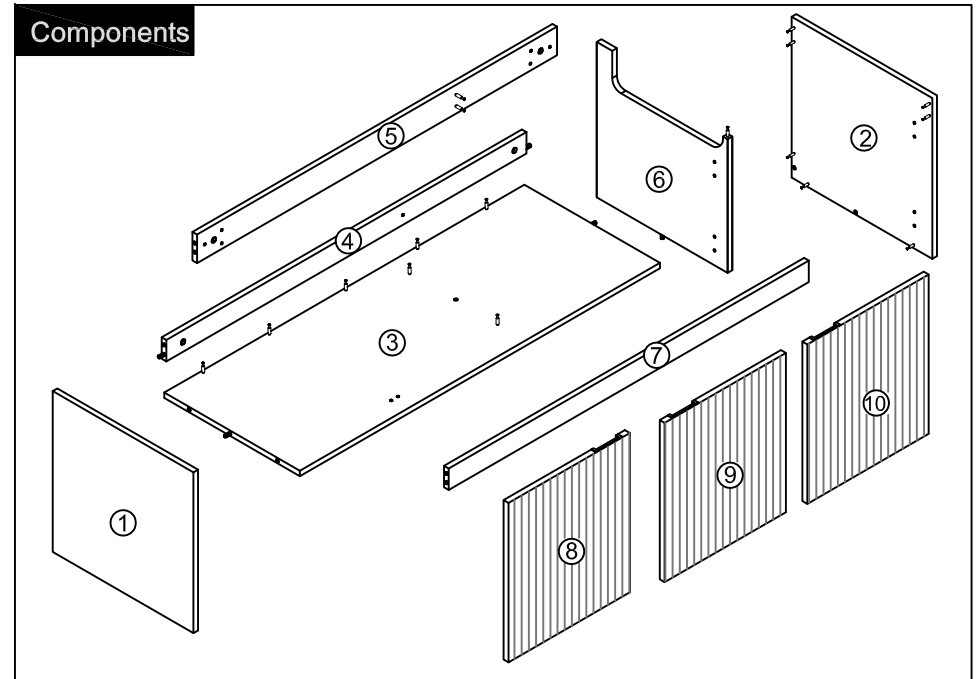
Dimensions



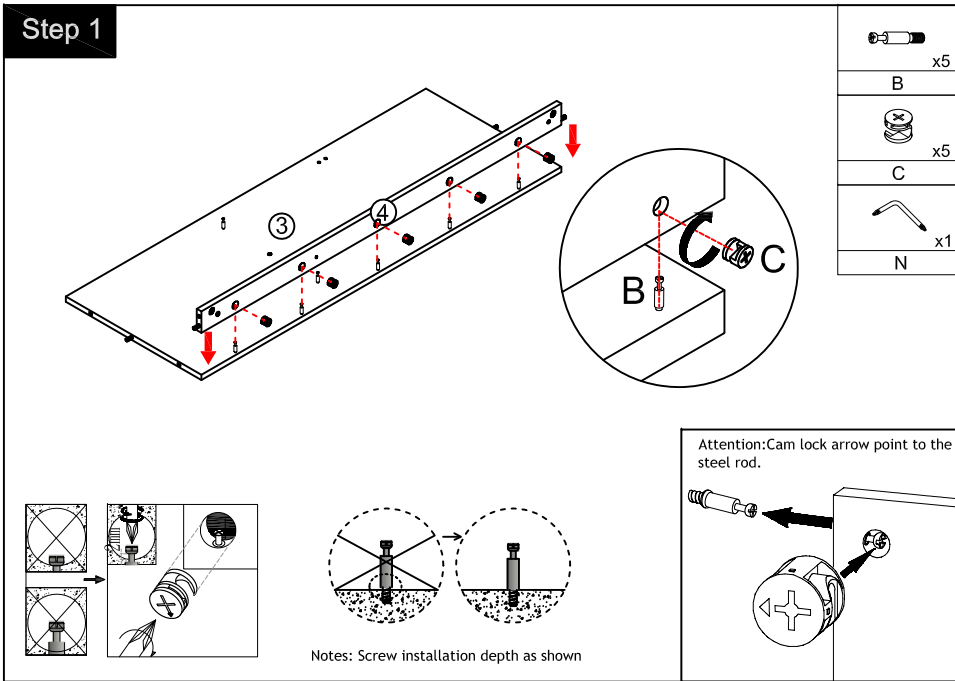
Finished



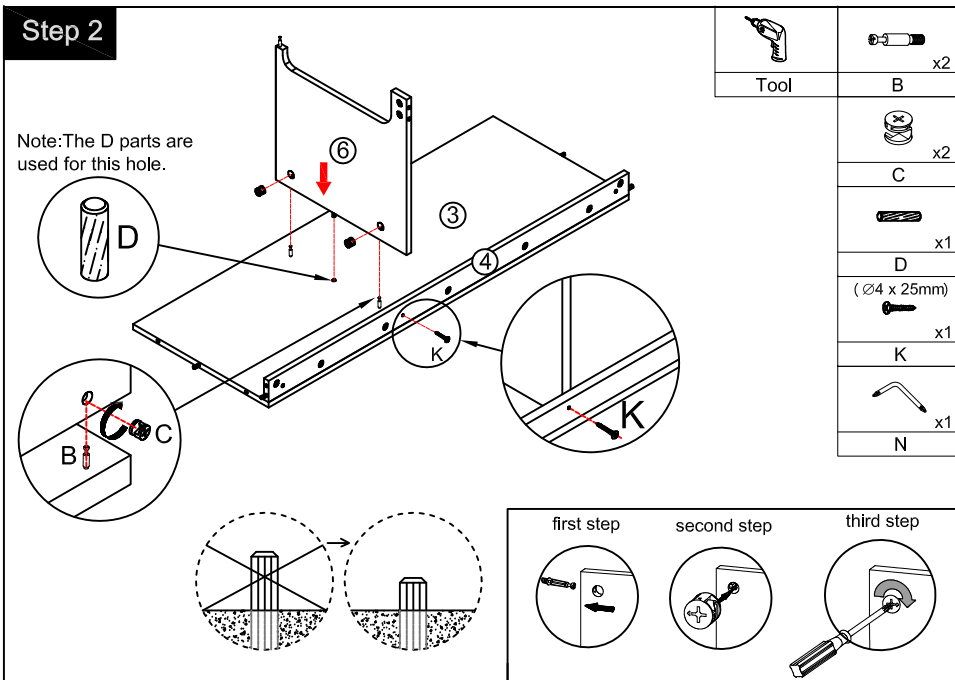
Components



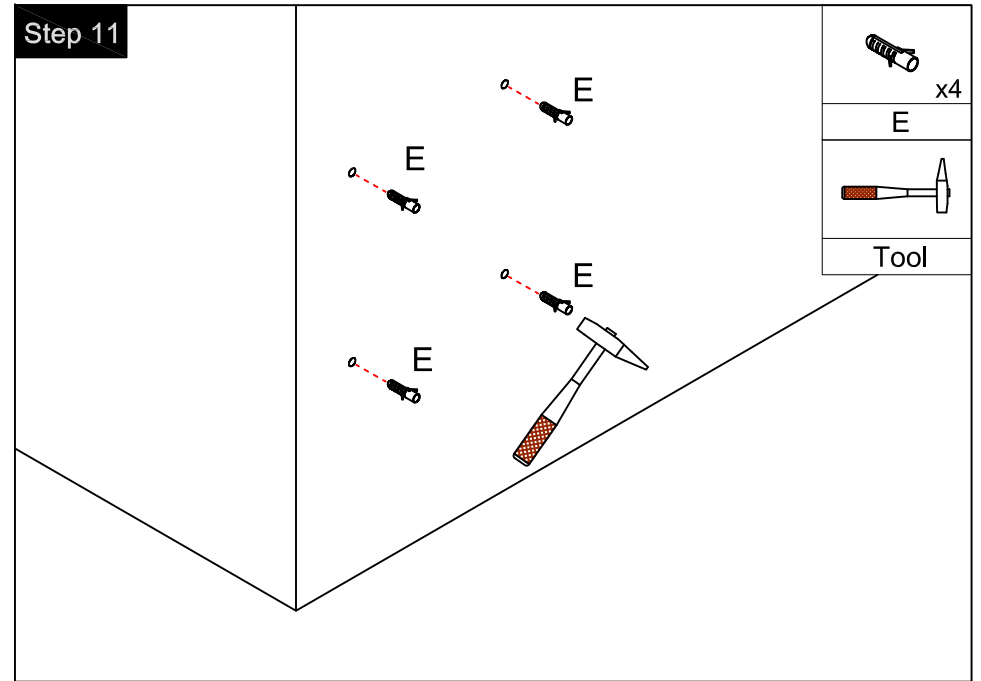
### Step 1



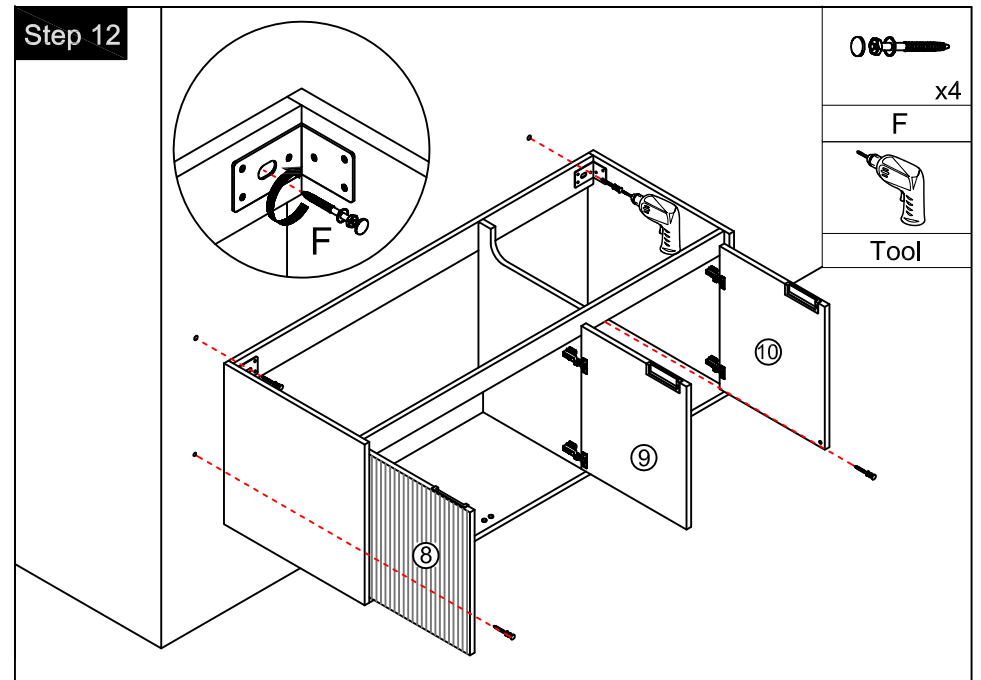
### Step 2

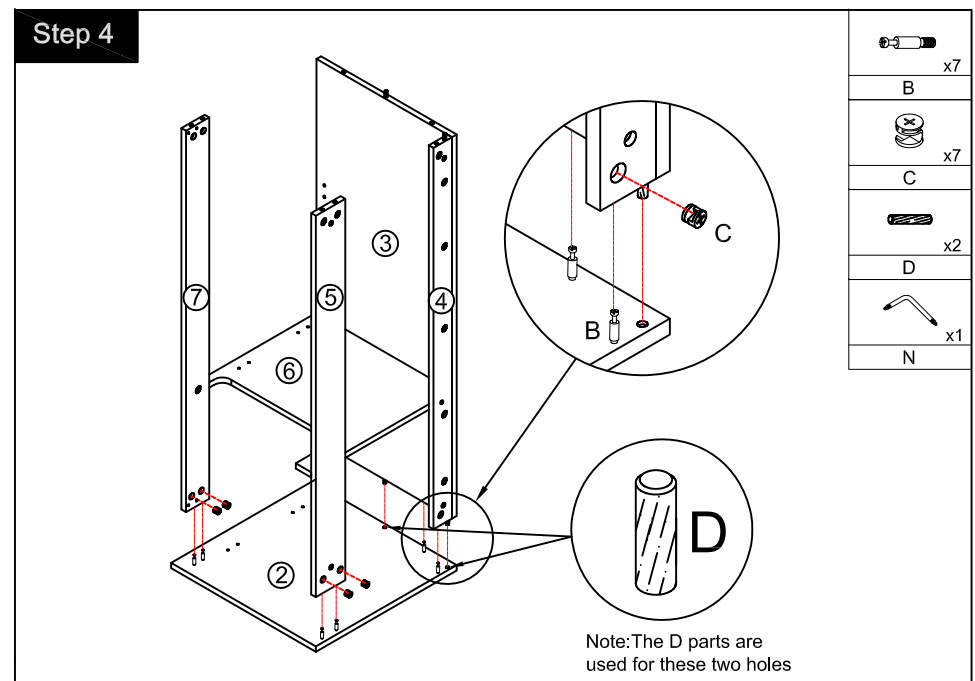
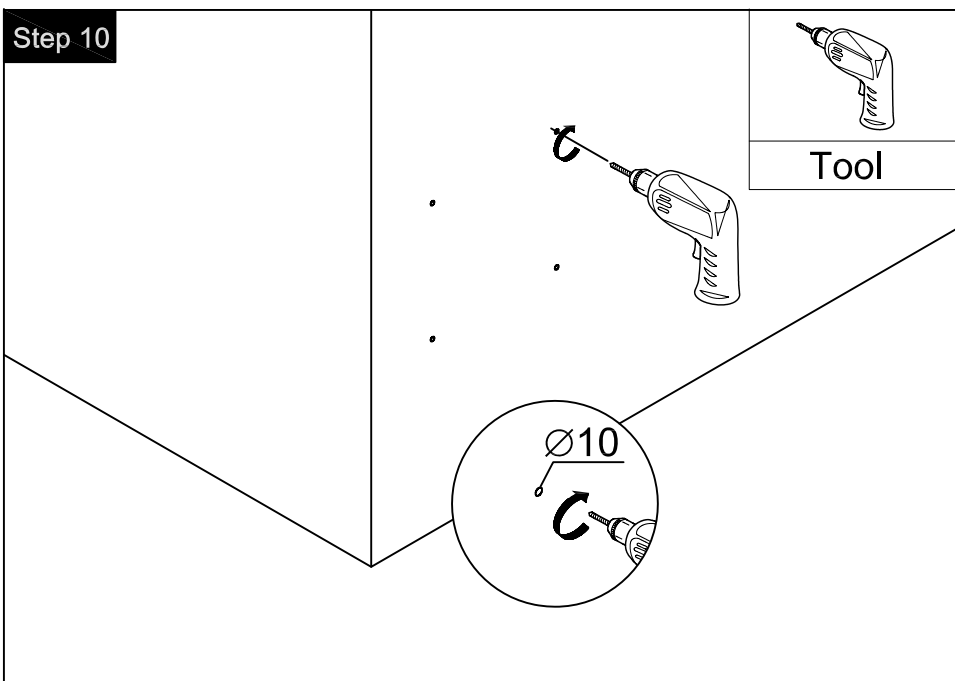
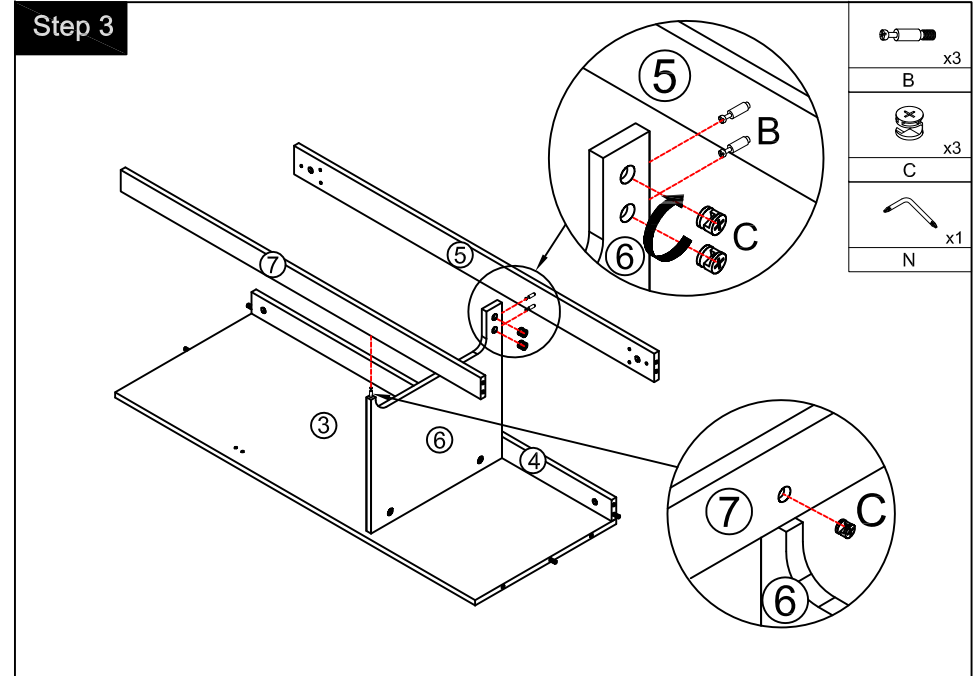
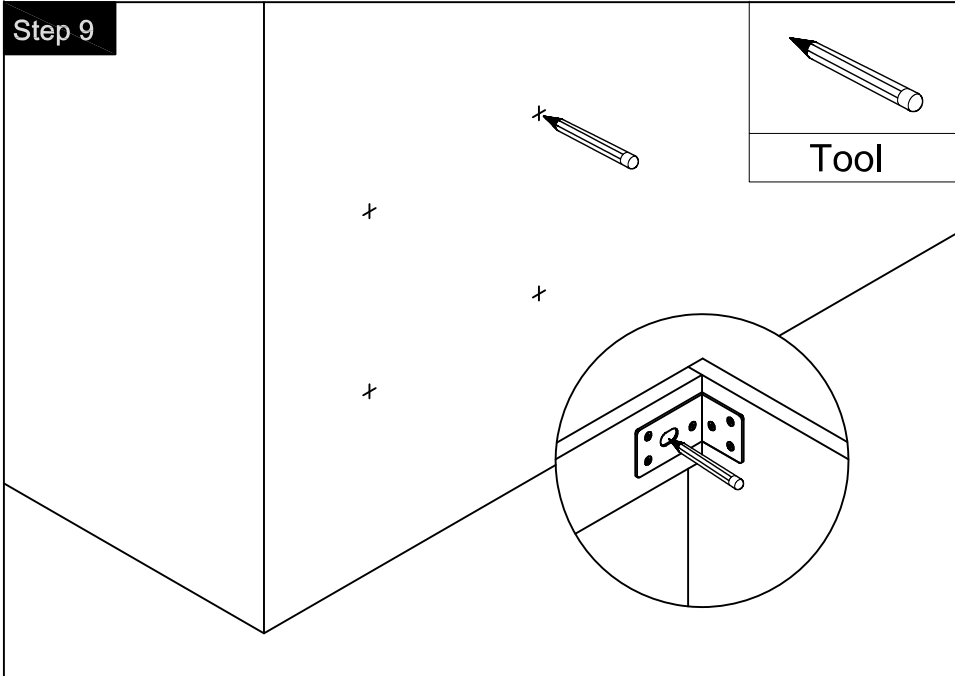


### Step 11

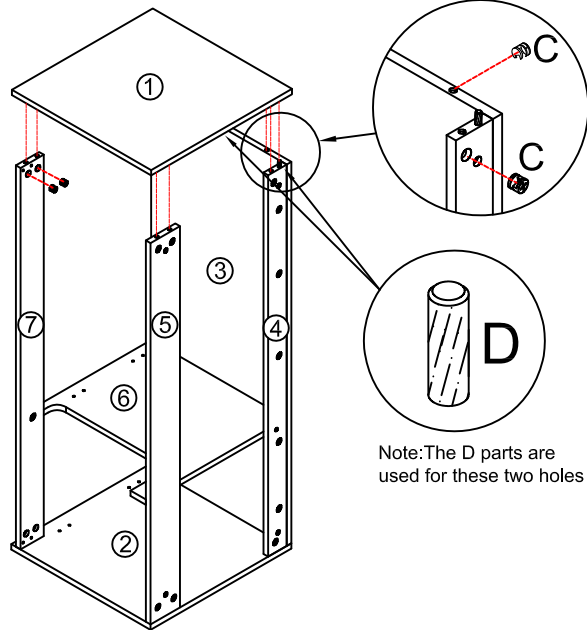


### Step 12





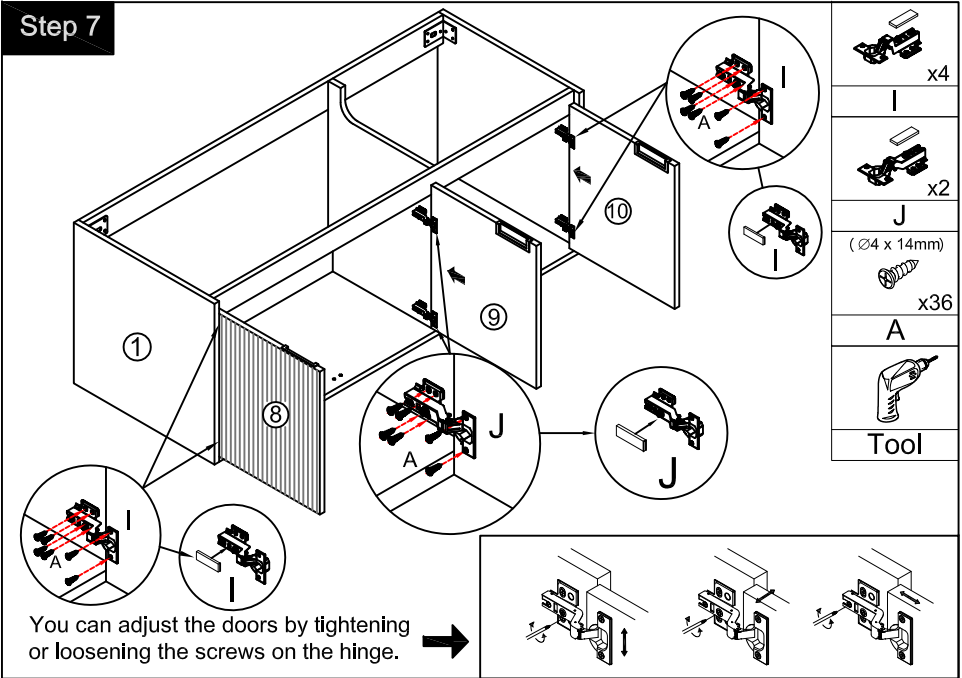
### Step 5



Note: The D parts are used for these two holes

	x7
B	
	x7
C	
	x2
D	
	x1
N	

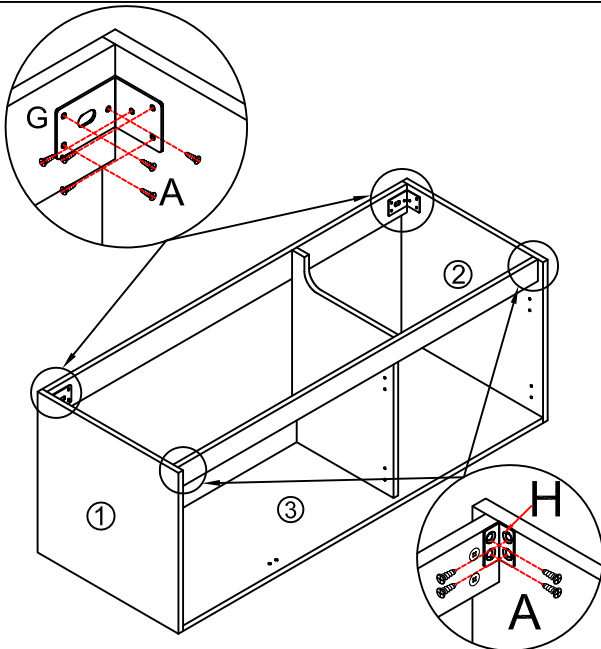
### Step 7



You can adjust the doors by tightening or loosening the screws on the hinge. →

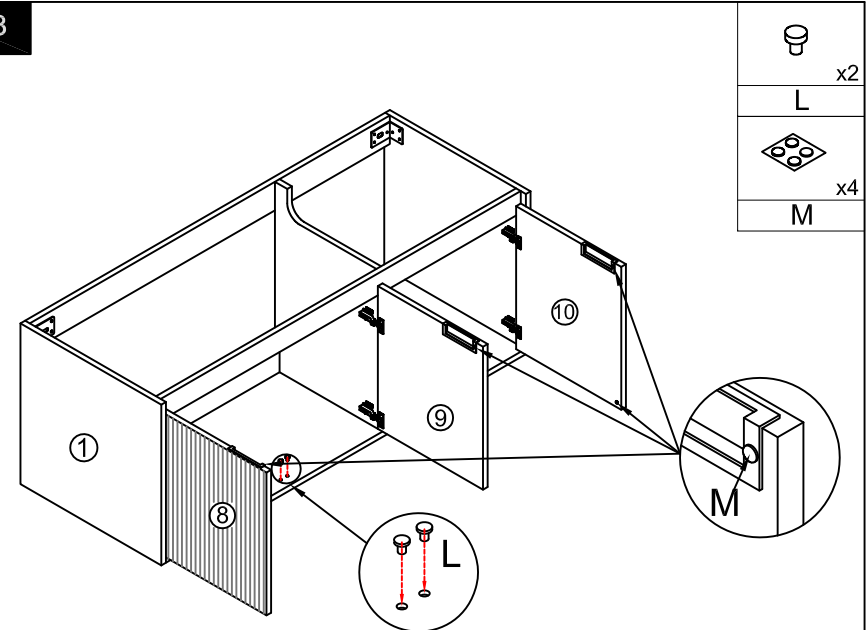
	x4
I	
	x2
J	
(∅4 x 14mm)	
	x36
A	
Tool	

### Step 6



	x2
G	
	x2
H	
(∅4 x 14mm)	
	x20
A	
Tool	

### Step 8



	x2
L	
	x4
M	