

WOOD CARE

Always use felt pads under all articles to prevent discoloration or softening of the lacquer. Plastic and rubber bases on items can discolor wood. Wipe up spills immediately and avoid common hazards such as hot dishes, harsh solvents and abrasives. Cleaning should be done with a soft lint free cotton cloth dampened with water or furniture polish. On highly used surfaces we recommend applying a quality paste wax which should be used on a regular basis to provide additional protection from scratches and spills. How often you apply the wax depends on how much wear the furniture receives.








INDOOR METAL/ALUMINUM FURNITURE

Wipe spills immediately. Maintain with regular dusting and clean with mild soap and water, dry thoroughly and do not use a brass cleaner.

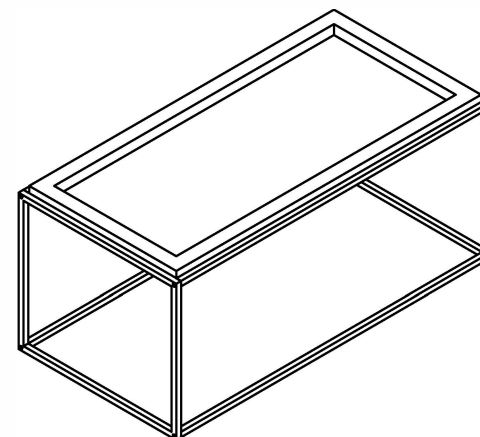
NOTICE

- * Please make sure that you have all parts indicated before you begin assembly on this item.
- * This item should be assembled on a soft surface to prevent scratching/dirty the surface during assembly.
- * This item may require periodic tightening.

Part List

PIECE	DESCRIPTION	PICTURE	QUANTITY
A	Table top		1X
B	Left		2X
C	connector tube		2X
D	connector tube		2X
HW1	Socket Screws 5.7x1.1x30mm		8X
HW2	Allen key 4mm		1X
HW3	Plastic Shims 12mm		6X

Item Dimension: 39.37W" x 19.69D" x 17.72H"
Item Weight Capacities : 154LBS

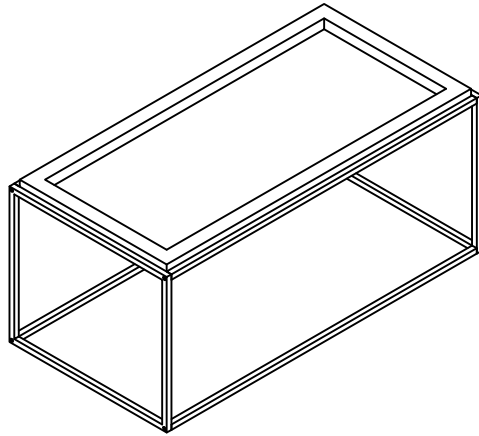


PREPARATION

Before beginning assembly of product, make sure all parts are present. Compare parts with package contents list. If any part is missing or damaged, do not attempt to assemble the product.

EstimatedAssemblyTime: 10 minutes.

1



2

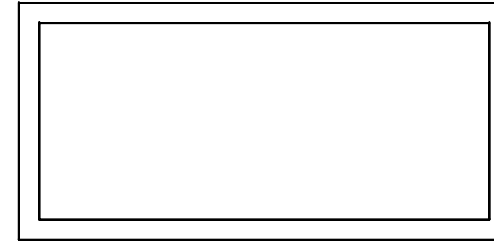
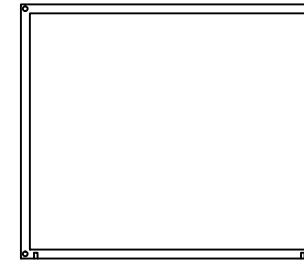


Table top

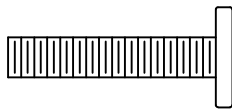
X 1



Left

X 2

3



Socket Screws
5.7x1.1x30mm

X 8



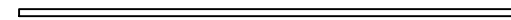
Allen key 4mm

X 1



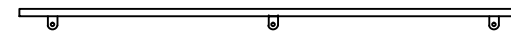
Plastic Shims 12mm

X 6



connector tube

X 2



connector tube

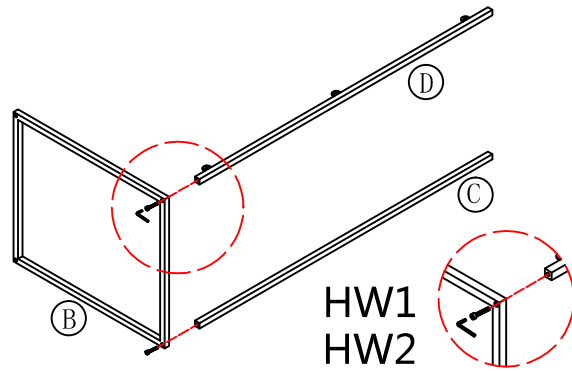
X 2

PREPARATION

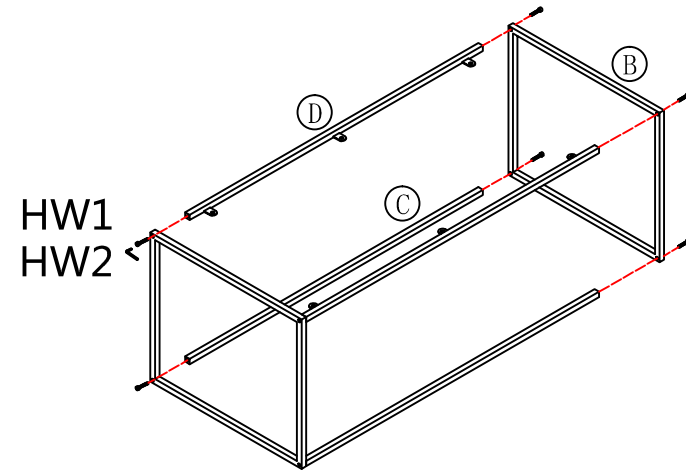
Before beginning assembly of product, make sure all parts are present. Compare parts with package contents list. If any part is missing or damaged, do not attempt to assemble the product.

EstimatedAssemblyTime: 10 minutes.

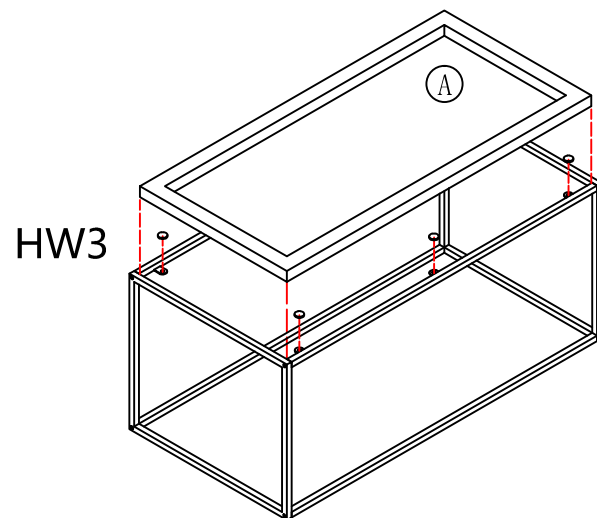
4



5



6



7

