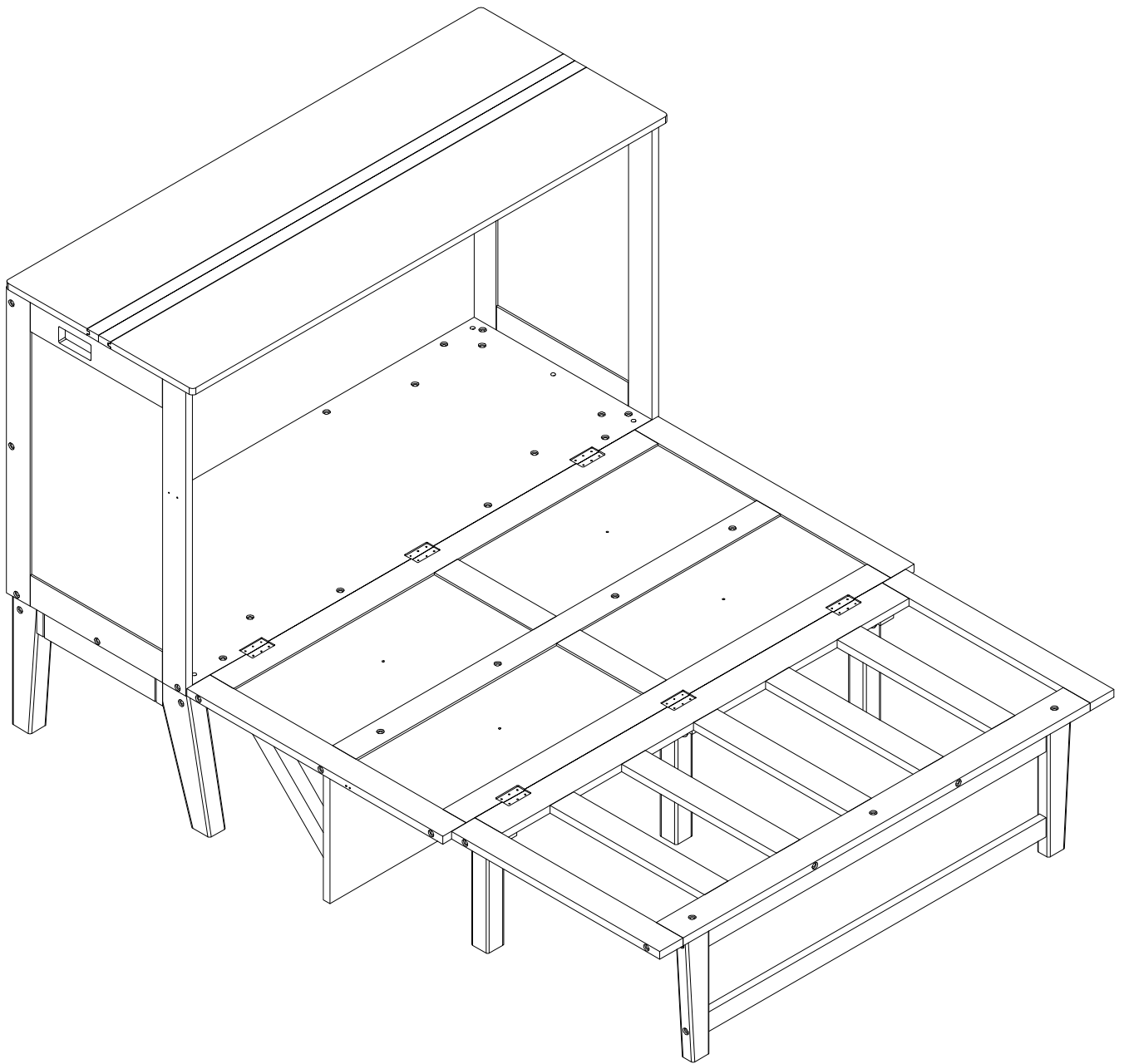


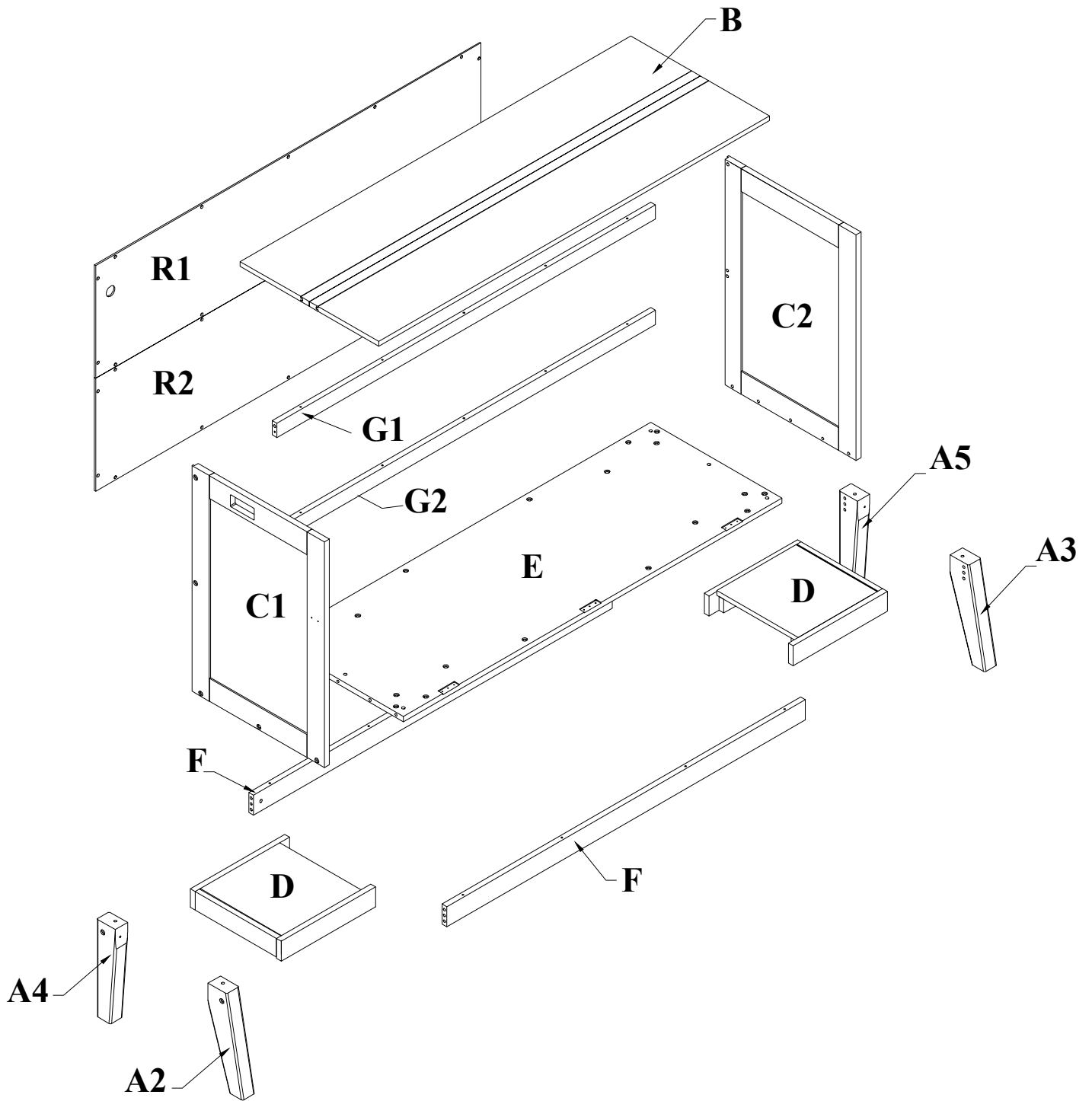
ASSEMBLY INTRUCTIONS

SKU CODE: (SD33006)

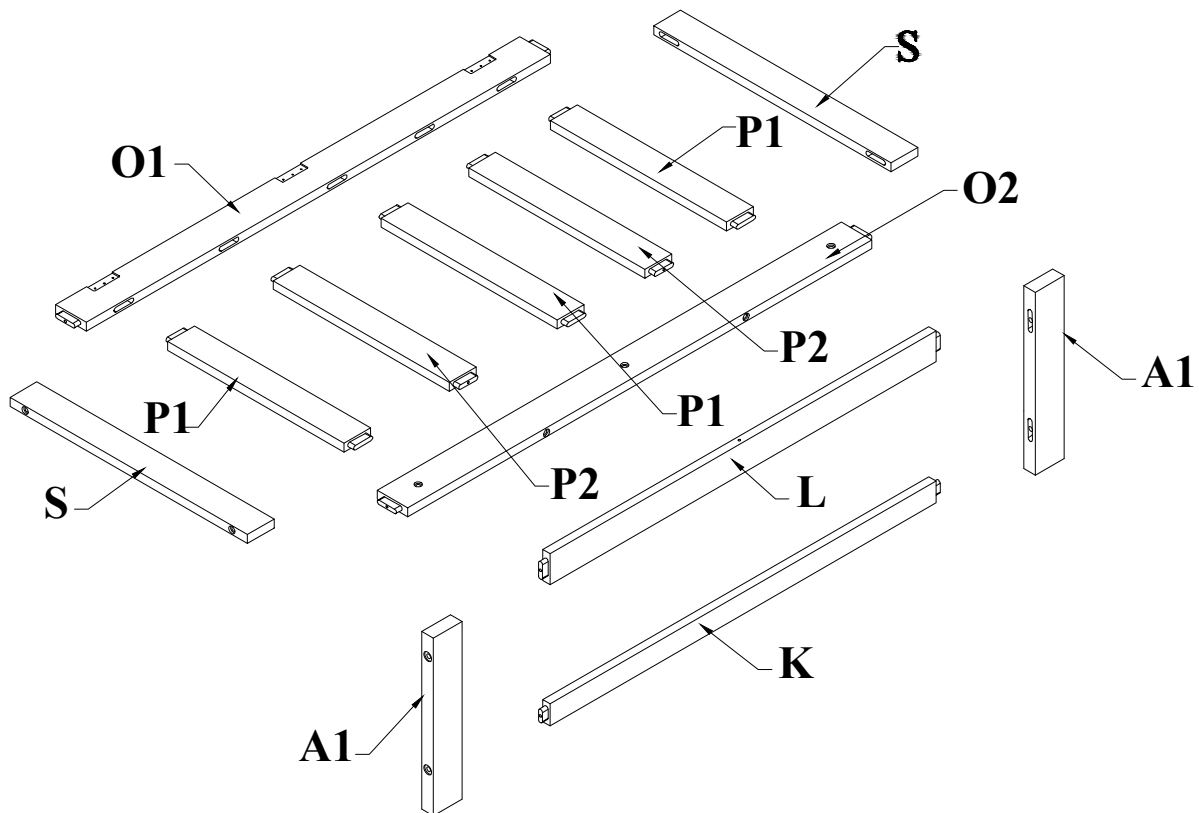
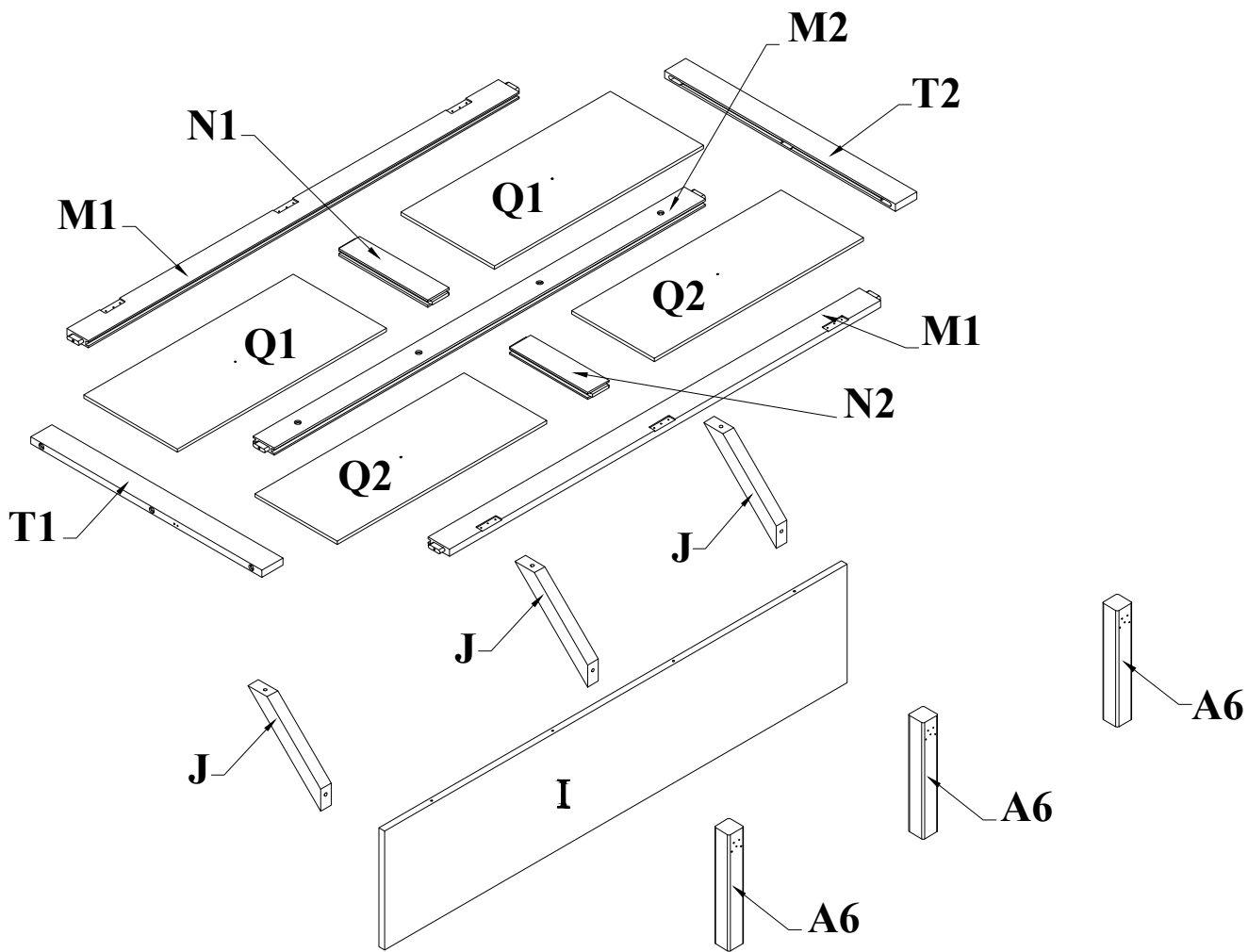
ITEM NAME:FULL MURPHY BED
WITH USB



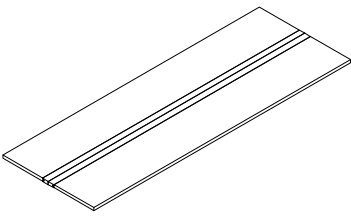
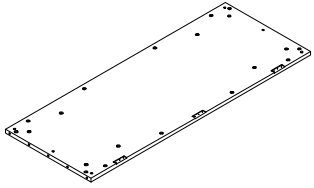
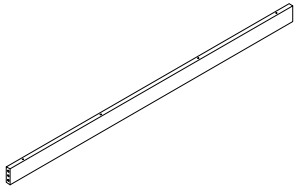
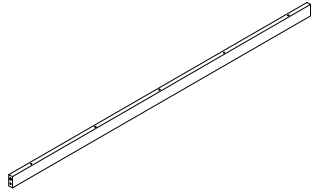
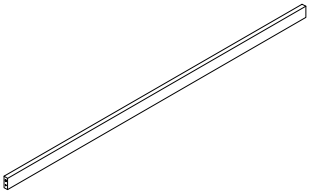
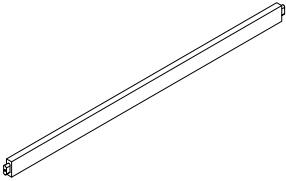
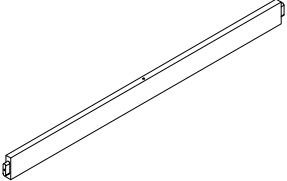
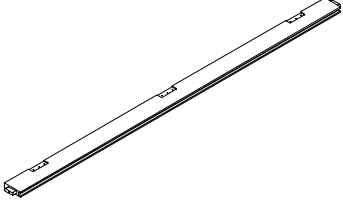
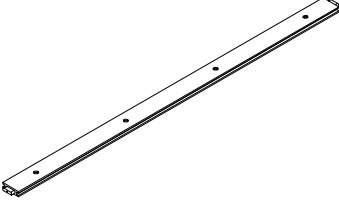
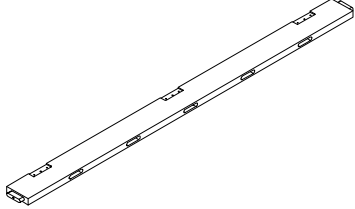
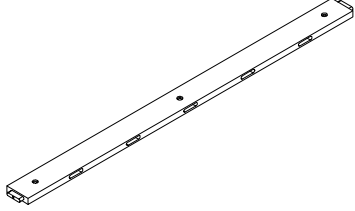
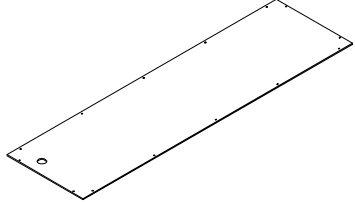
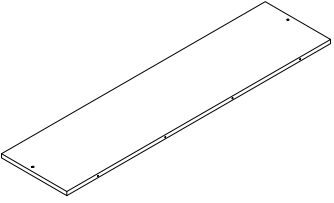
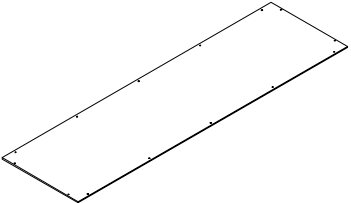
DETAIL VIEW




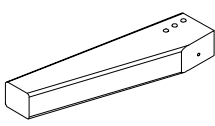
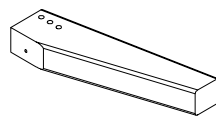
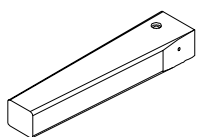
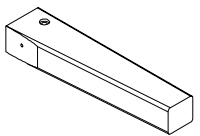
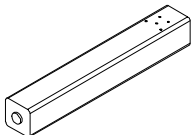
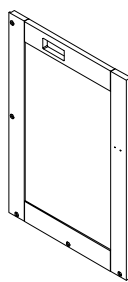
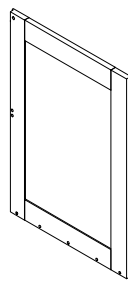
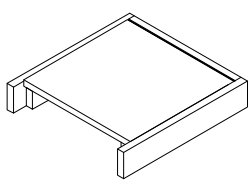
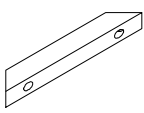
DETAIL VIEW



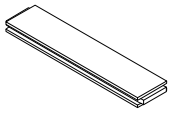
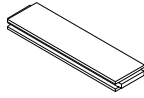
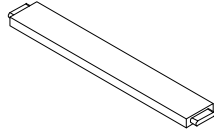
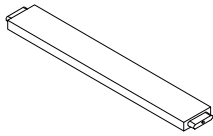
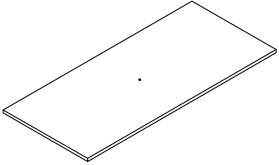
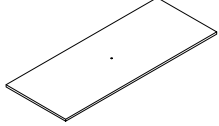
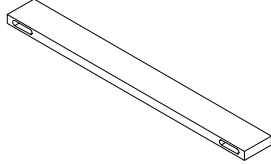
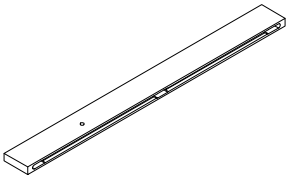
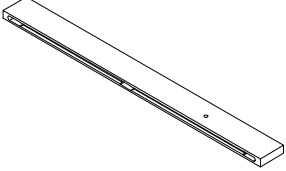
BOX:1

<p>B</p>  <p>Top panel (1pc)</p>	<p>E</p>  <p>Bottom panel (1pc)</p>	<p>F</p>  <p>bottom-Support (2pcs)</p>	<p>G1</p>  <p>Back rail (1pc)</p>
<p>G2</p>  <p>Back rail (1pc)</p>	<p>K</p>  <p>Bottom - Support rail (1pc)</p>	<p>L</p>  <p>Upper - Support rail (1pc)</p>	<p>M1</p>  <p>Horizontal rail 1 (2pcs)</p>
<p>M2</p>  <p>Horizontal rail 2 (1pc)</p>	<p>O1</p>  <p>Horizontal rail 3 (1pc)</p>	<p>O2</p>  <p>Horizontal rail 4 (1pc)</p>	<p>R1</p>  <p>Back panel - top (1pc)</p>
<p>I</p>  <p>Desk-Top (1pc)</p>	<p>R2</p>  <p>Back panel - bottom (1pc)</p>		

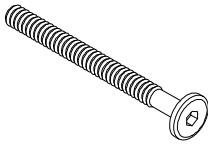

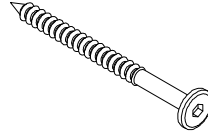
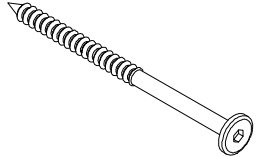
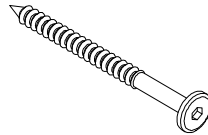
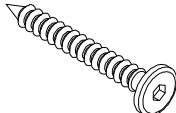
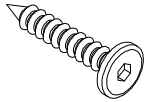
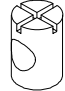
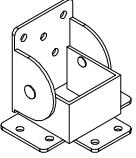
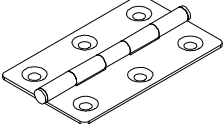
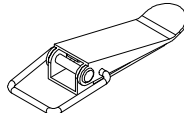

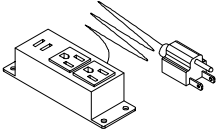
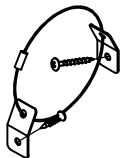
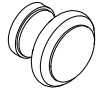
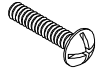
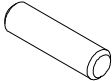
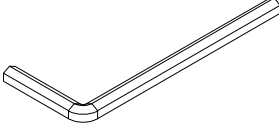
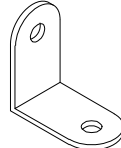



BOX:2

<p>A1</p>  <p>Front leg (2pcs)</p>	<p>A2</p>  <p>Middle leg - left (1pc)</p>	<p>A3</p>  <p>Middle leg - right (1pc)</p>	<p>A4</p>  <p>Back leg - left (1pc)</p>
<p>A5</p>  <p>Back leg - right (1pcs)</p>	<p>A6</p>  <p>Center Support legs (3pcs)</p>	<p>C1</p>  <p>Side frame - left (1pc)</p>	<p>C2</p>  <p>Side frame - right (1pc)</p>
<p>D</p>  <p>Table - top (2pcs)</p>	<p>J</p>  <p>Angle - Support (3pcs)</p>		

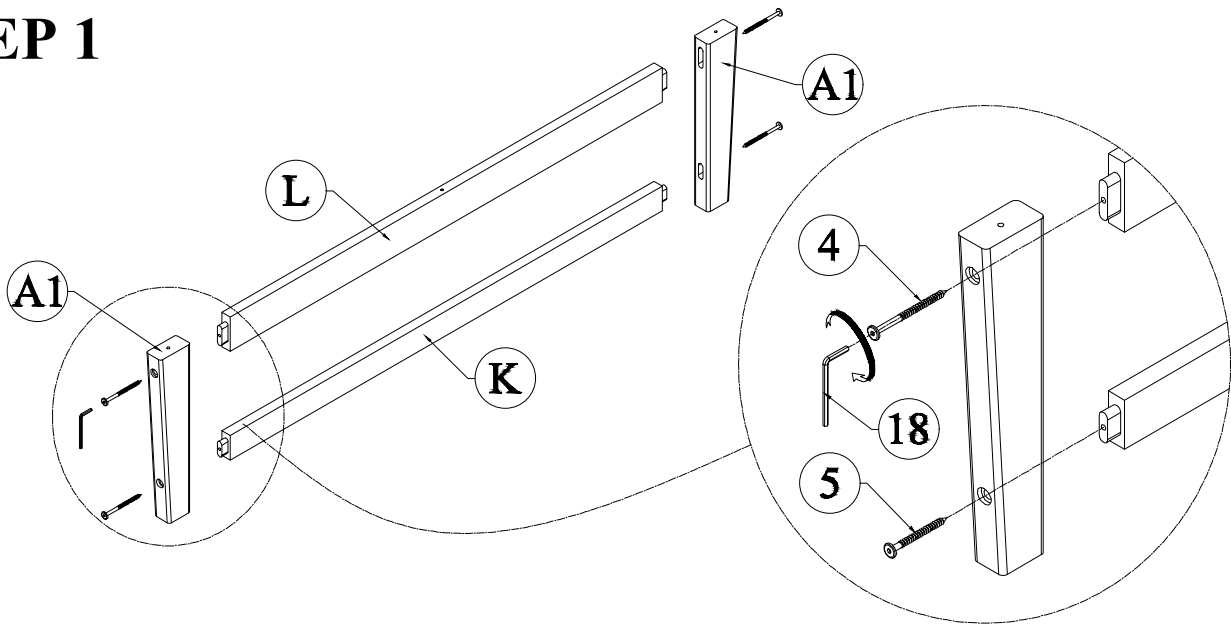
BOX:2

<p>N1</p>  <p>Verical rail - long (1pc)</p>	<p>N2</p>  <p>Verical rail - short (1pc)</p>	<p>P1</p>  <p>Verical bar 1 (3pcs)</p>	<p>P2</p>  <p>Verical bar 2 (2pcs)</p>
<p>Q1</p>  <p>Front panel - large (2pcs)</p>	<p>Q2</p>  <p>Front panel - small (2pcs)</p>	<p>S</p>  <p>Verical side rail1 1 (2pcs)</p>	<p>T1</p>  <p>Verical side rail 2 -left (1pc)</p>
<p>T2</p>  <p>Verical side rail 2- right (1pc)</p>			

HARDWARE LIST:BOX2

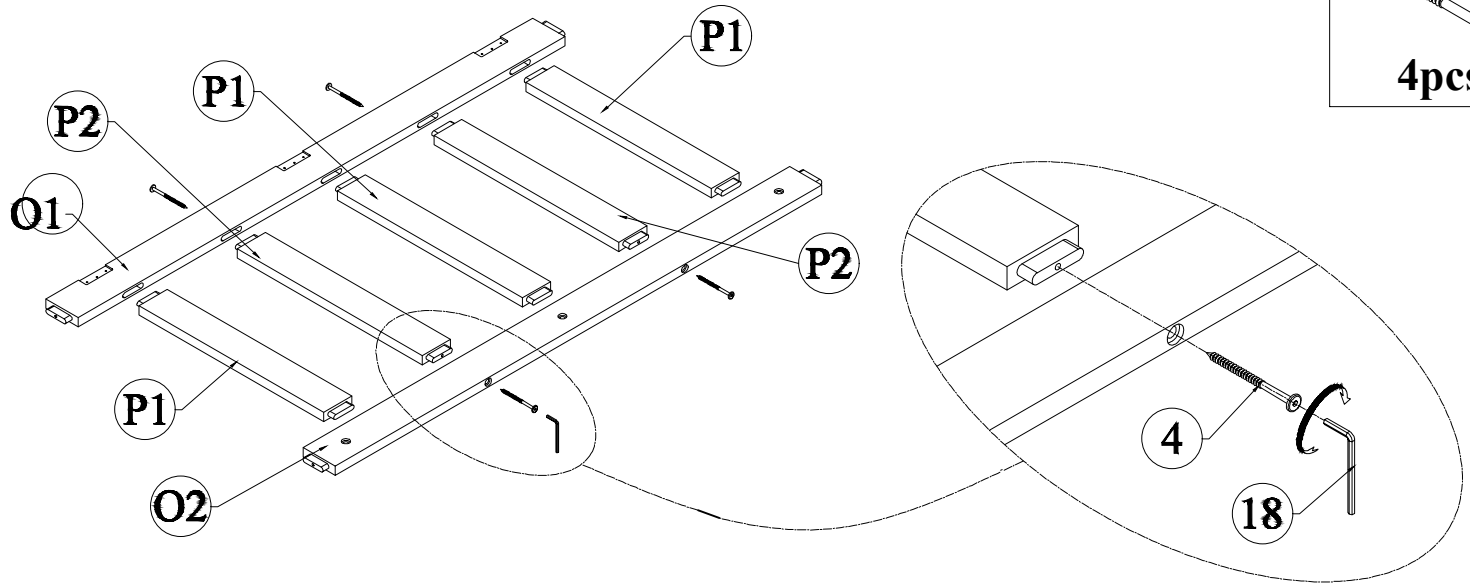
<p>1</p>  <p>Hex - Head bolts Ø1/4"*60 - 6pcs</p>	<p>2</p>  <p>Hex - Head bolts Ø1/4"*35 - 6pcs</p>	<p>3</p>  <p>Hex-Head screw Ø6"*70 - 4pcs</p>	<p>4</p>  <p>Hex-Head screw Ø6"*100 - 20pcs</p>
<p>5</p>  <p>Hex-Head screw Ø6"*80 - 2pcs</p>	<p>6</p>  <p>Hex-Head screw Ø6"*50 - 24pcs</p>	<p>7</p>  <p>Hex-Head screw Ø6"*40 - 3pcs</p>	<p>8</p>  <p>Horizontal - Hold bolts Ø1/4" - 6pcs</p>
<p>9</p>  <p>Foldable-bracket - 3pcs</p>	<p>10</p>  <p>Hinge - 6pcs</p>	<p>11</p>  <p>Duckbill lock A - 2pcs</p>	<p>12</p>  <p>Duckbill lock B - 2pcs</p>
<p>13</p>  <p>Power outlet - 1pc</p>	<p>14 Discovery</p>  <p>Anti - tip Kit - 2sets</p>	<p>15</p>  <p>Wooden-Knob - 4pcs</p>	<p>16</p>  <p>Pan-Head bolts Ø5/32" * 15 - 4pcs</p>
<p>17</p>  <p>Wooden dowel Ø8 * 30 - 20pcs</p>	<p>18</p>  <p>Allen key K4 - 1pc</p>	<p>19</p>  <p>Bracket - 6pcs</p>	<p>20</p>  <p>Wood crews M3.5 * 15 - 56pcs</p>
<p>21</p>  <p>Pan-Head screw M4*20 - 65pcs</p>	 <p>Assembly Tools Required (Not Included)</p>		

STEP 1



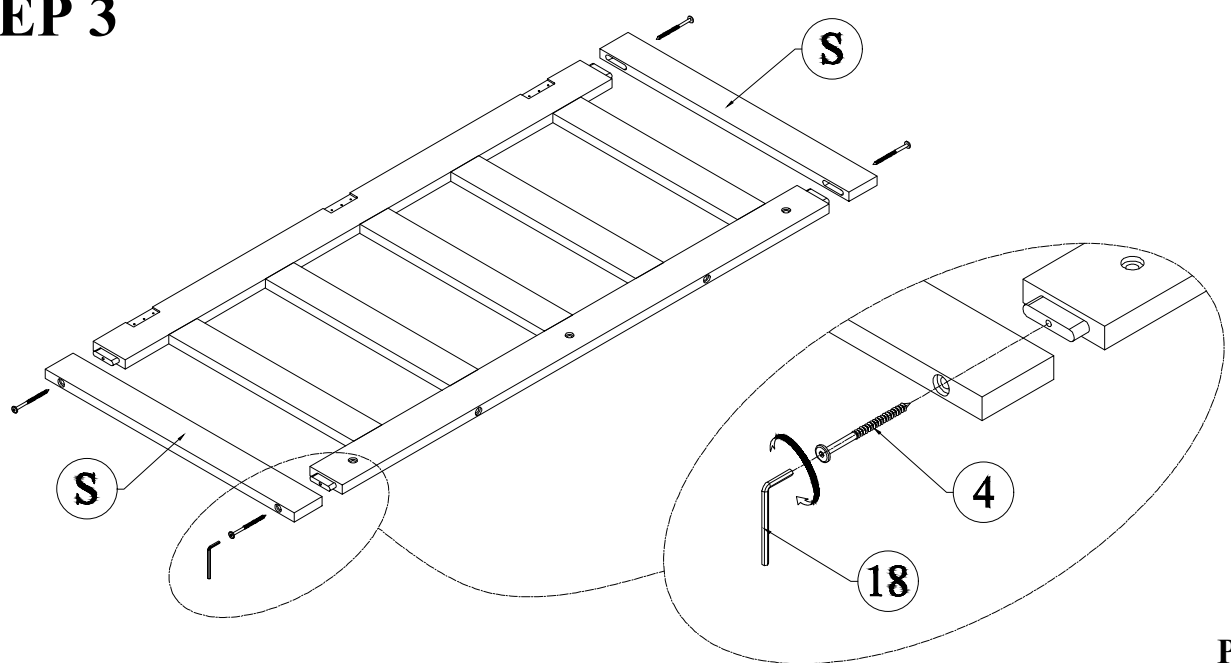
- 4
2pcs
- 5
2pcs

STEP 2



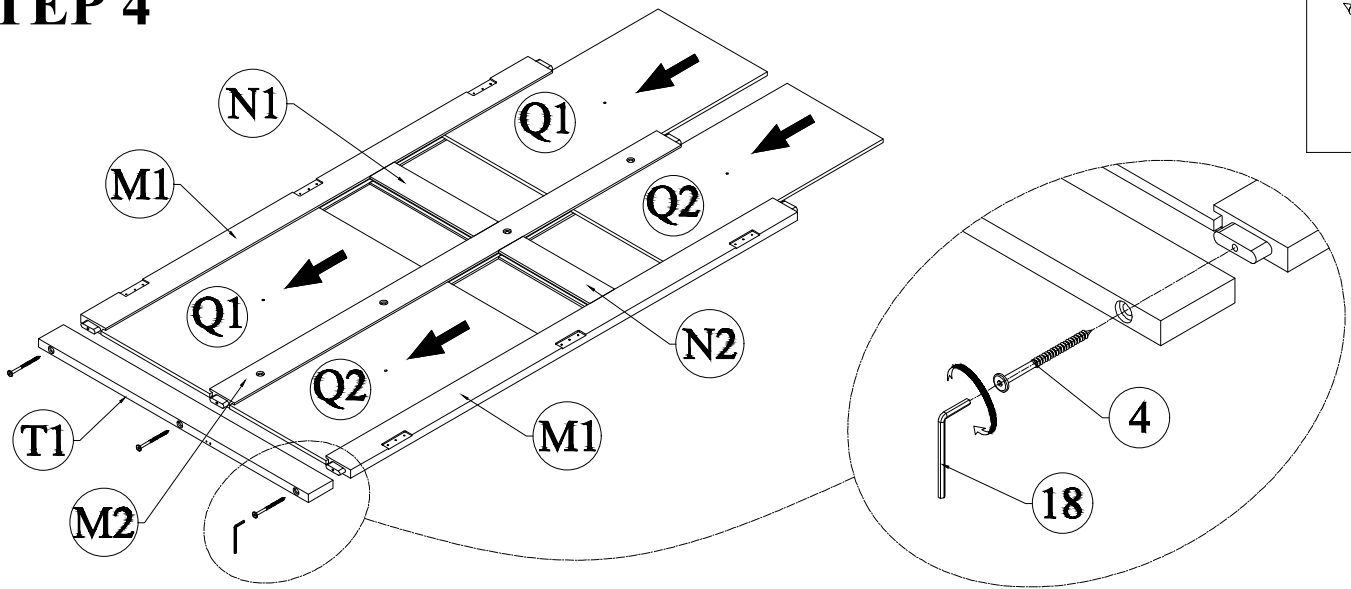
- 4
4pcs

STEP 3

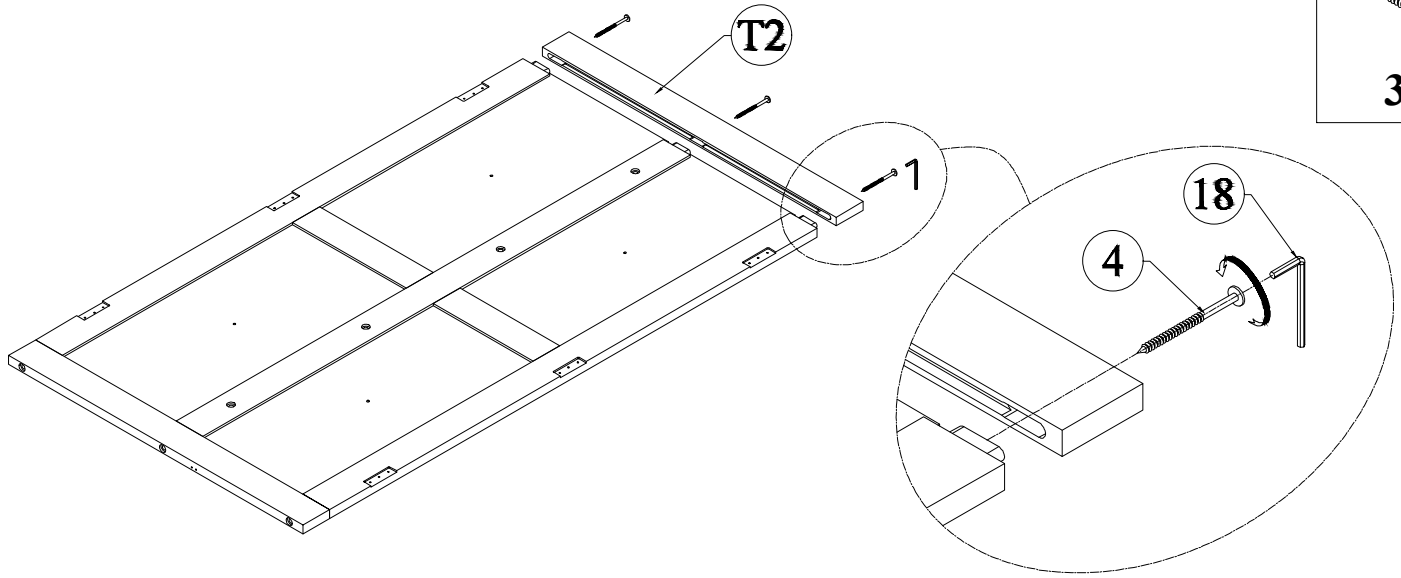


- 4
4pcs

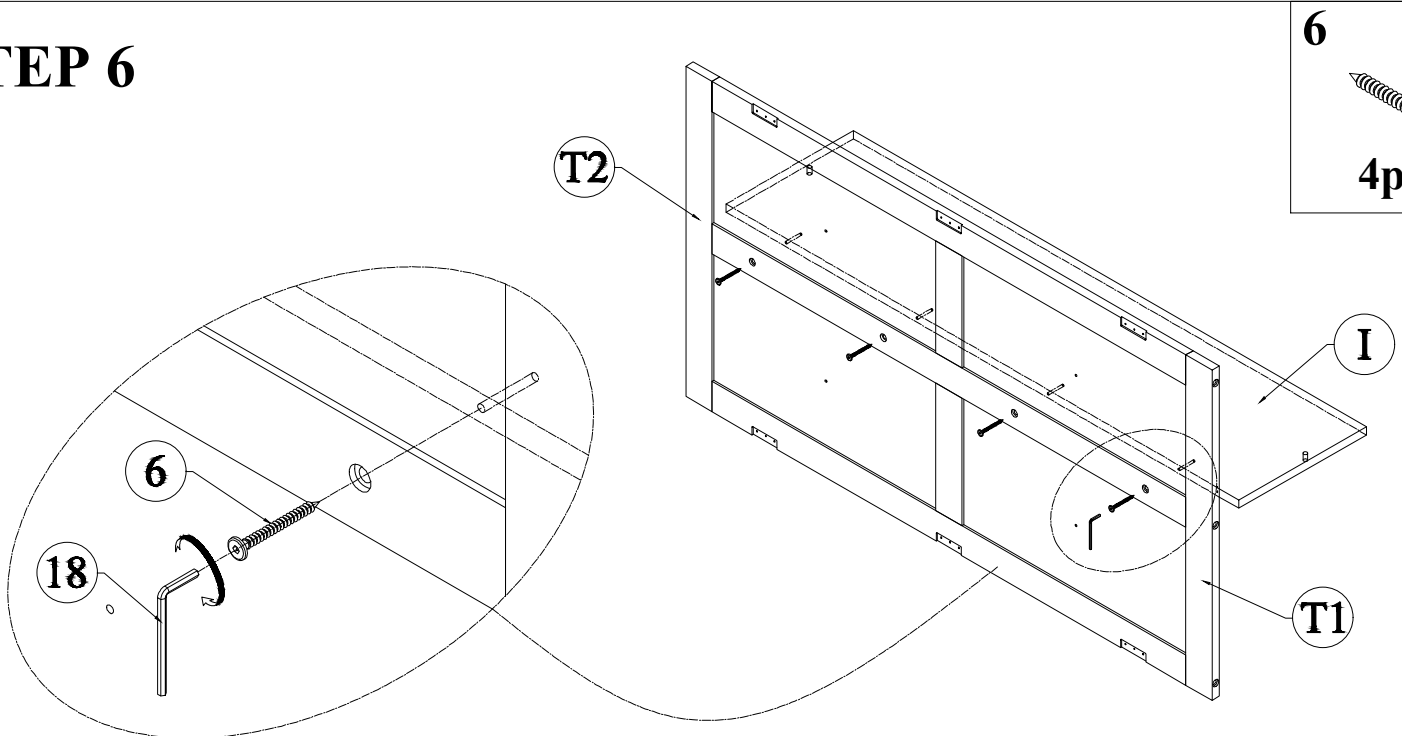
STEP 4



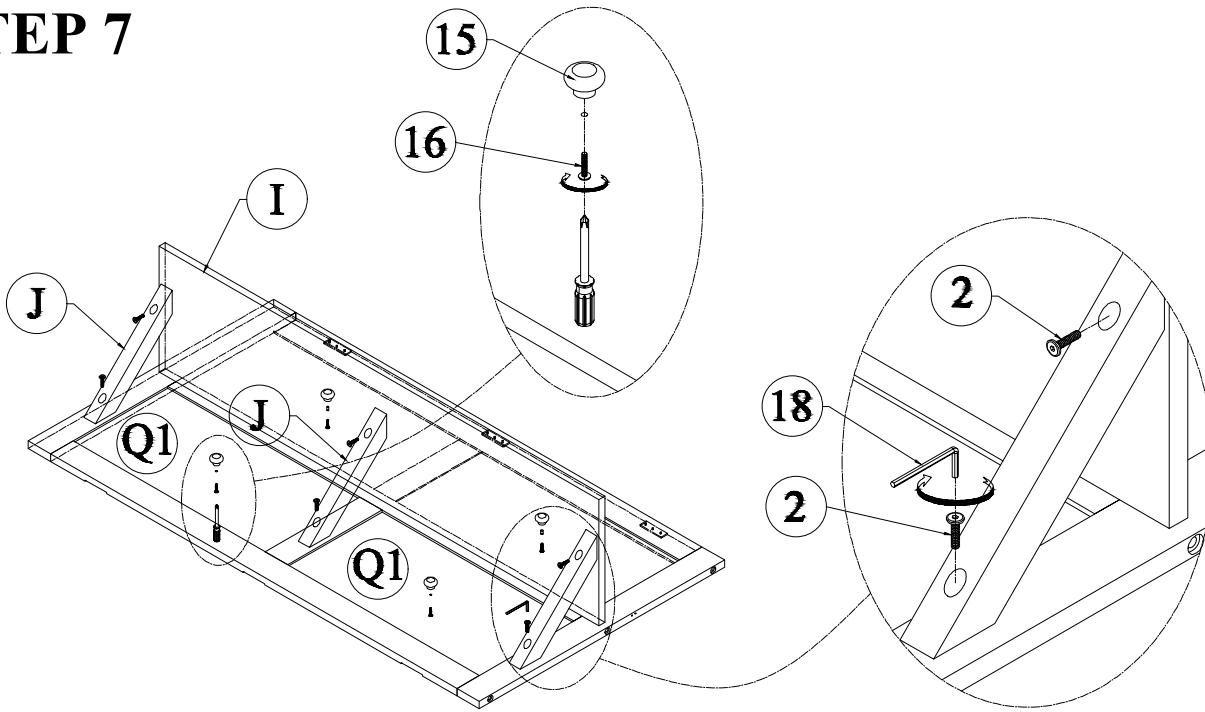
STEP 5




STEP 6




STEP 7



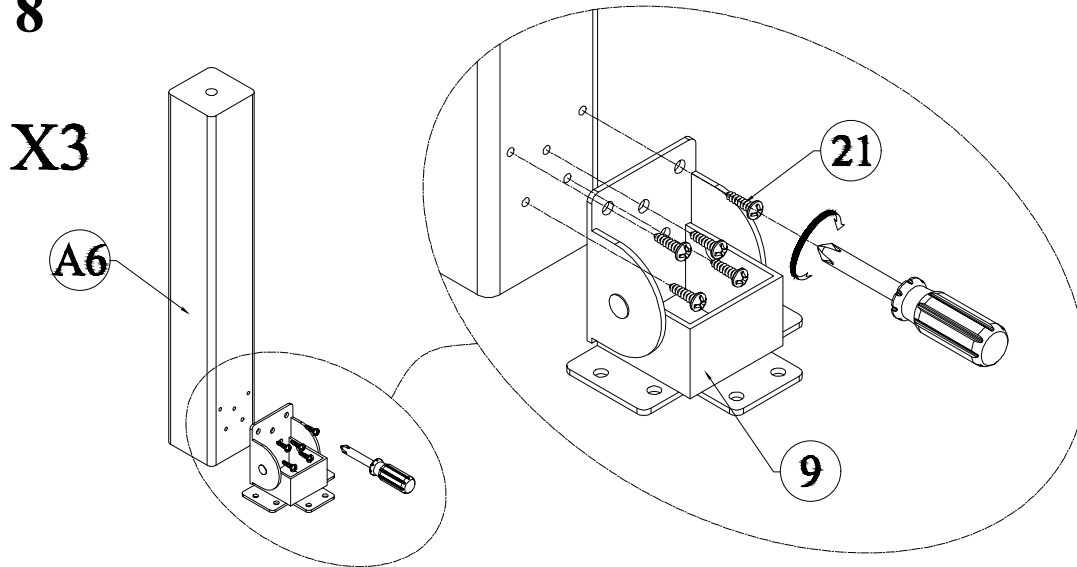
- 2**

6pcs

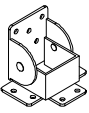
- 15**


4pcs

- 16**

4pcs

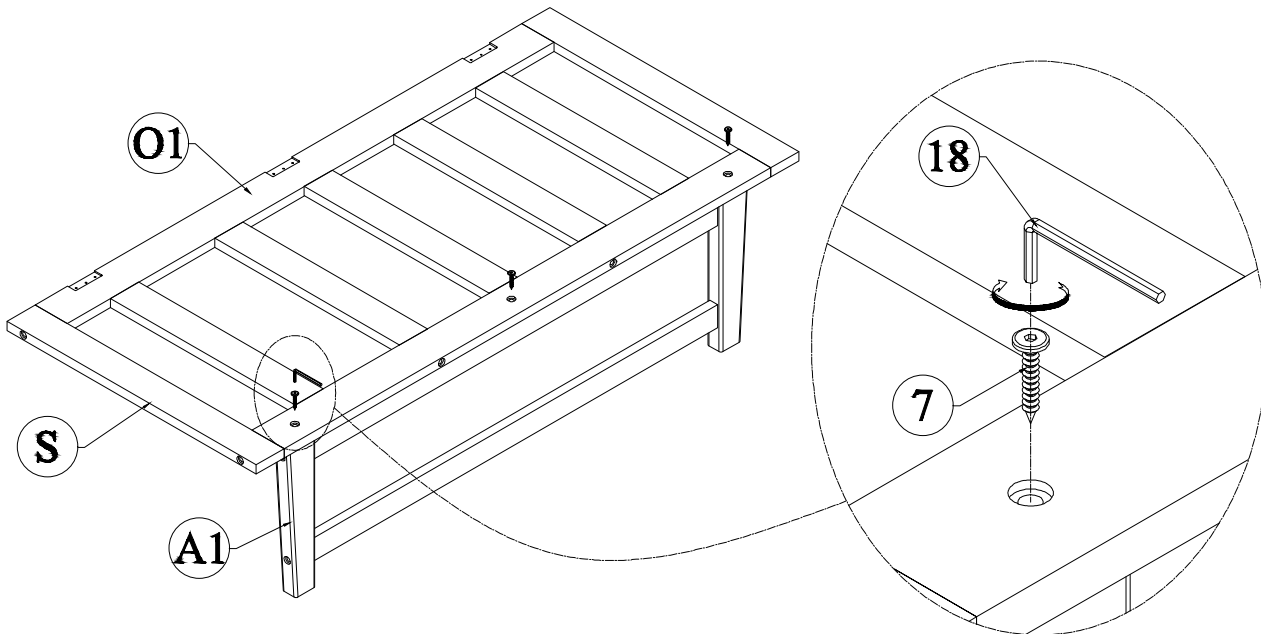
STEP 8



- 9**

3pcs

- 21**

15pcs

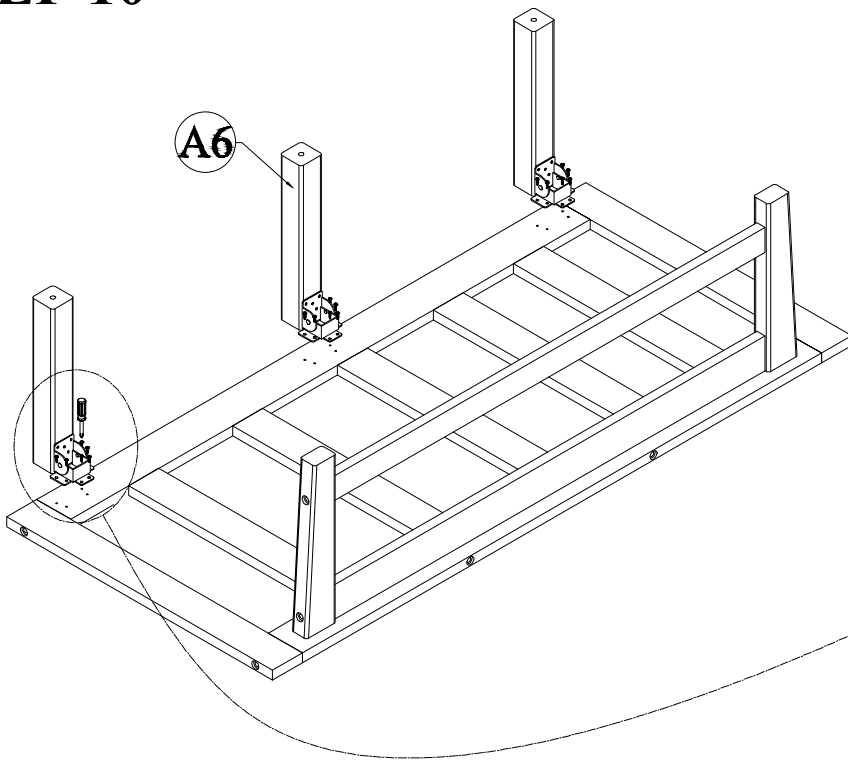
STEP 9



- 7**

3pcs

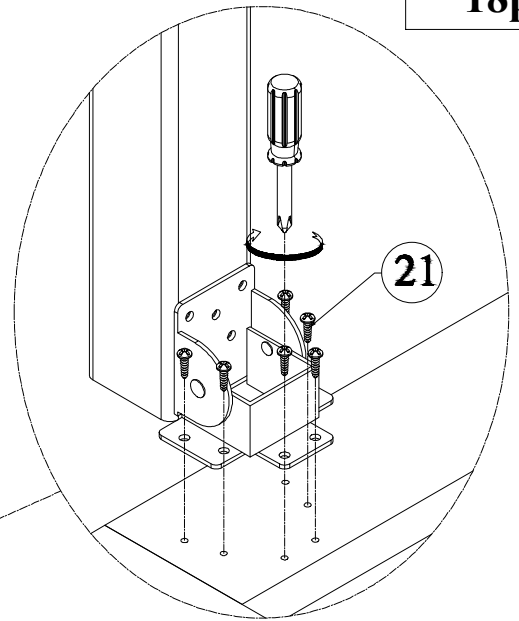
STEP 10



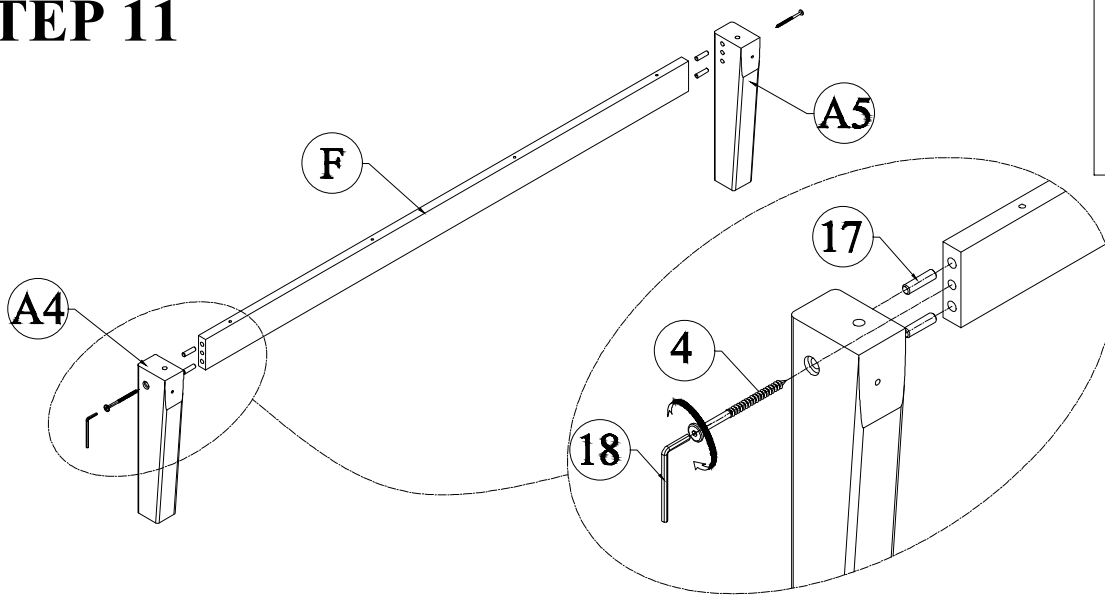
21



18pcs



STEP 11



4

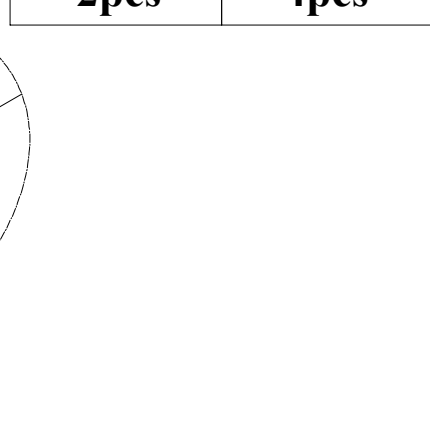


2pcs

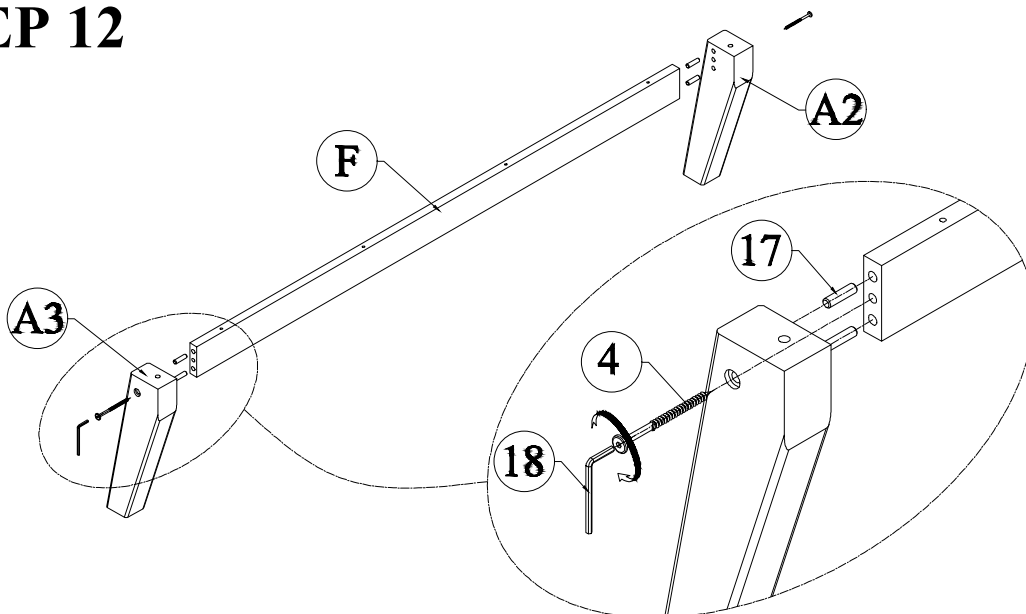
17



4pcs



STEP 12



4

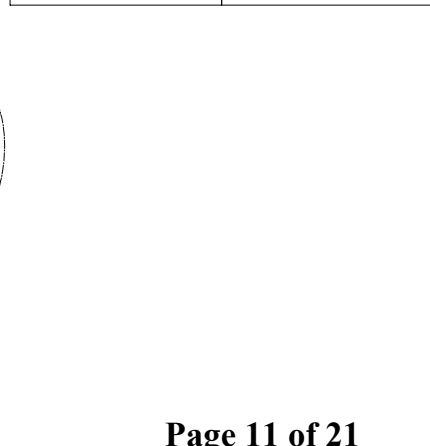


2pcs

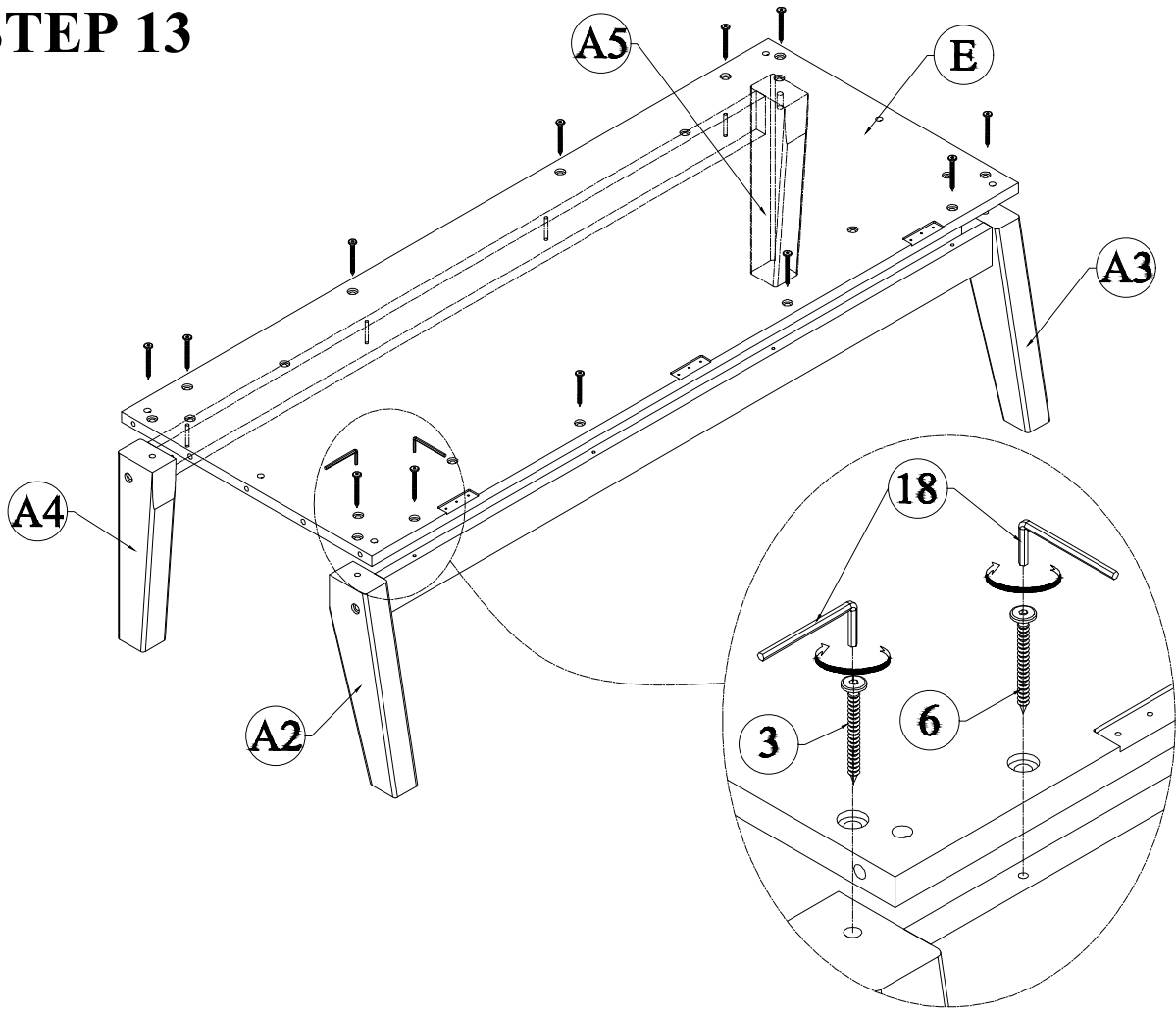
17





4pcs

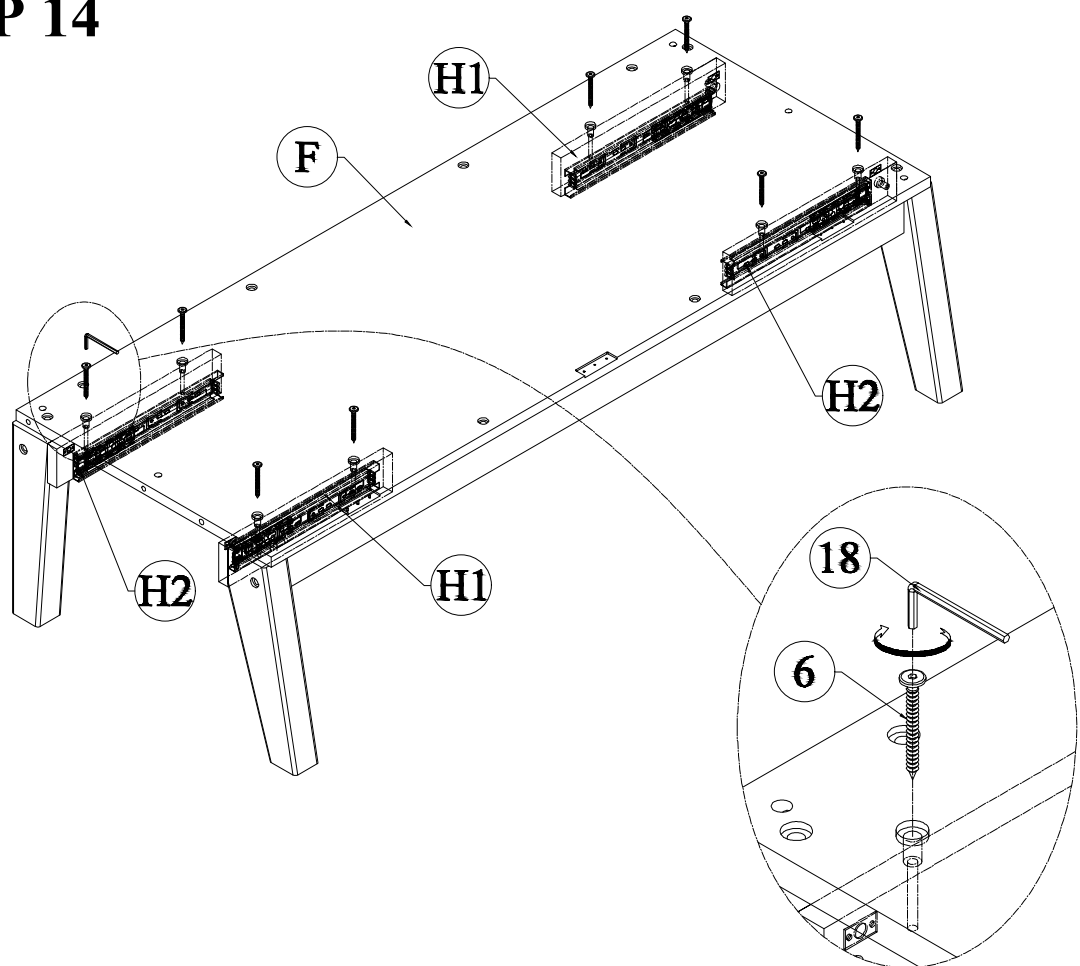



STEP 13



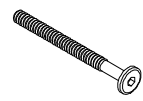
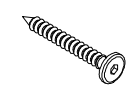

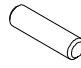
- 3**

4pcs
- 6**

8pcs

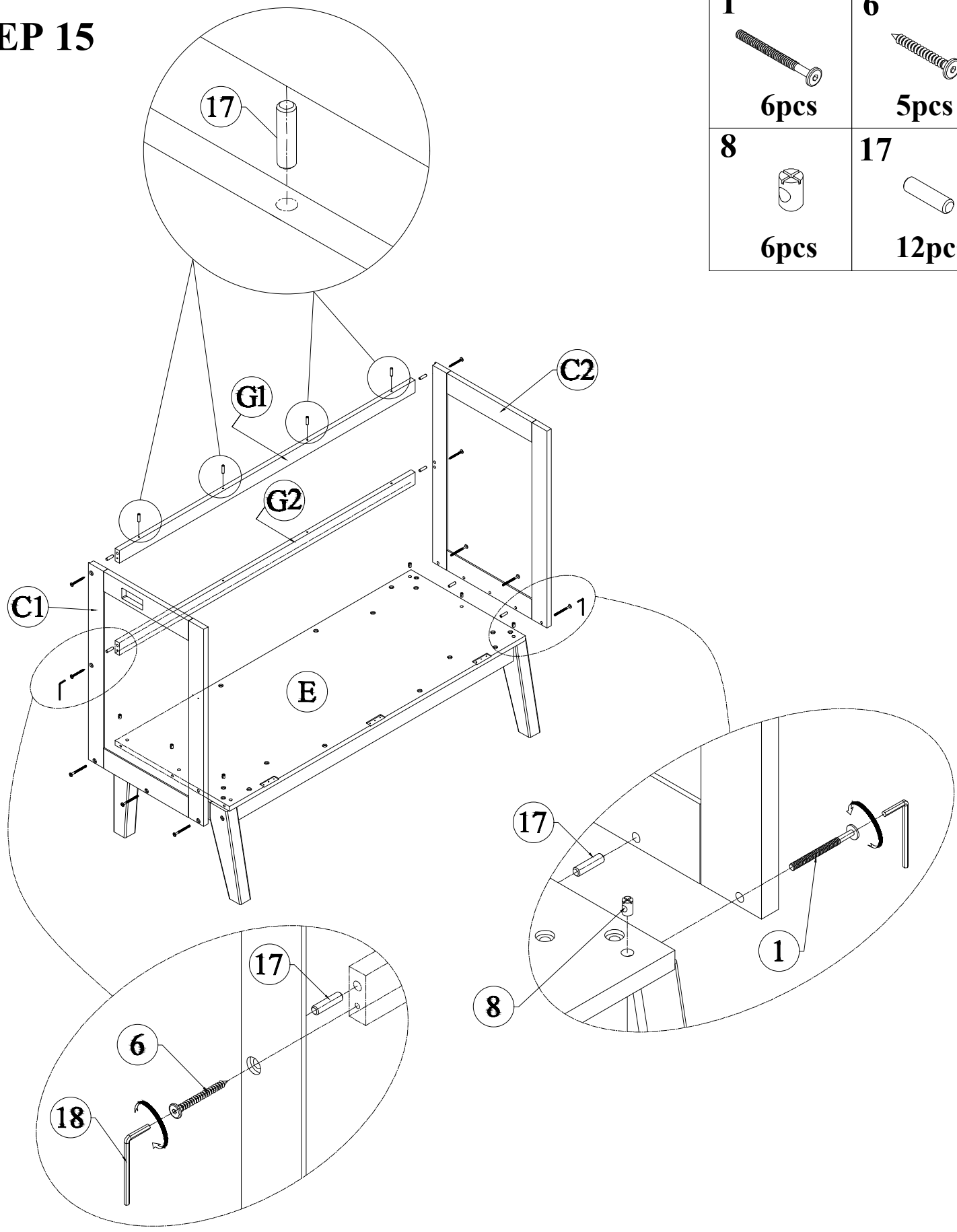
STEP 14



- 6**

8pcs

STEP 15

1  6pcs	6  5pcs
8  6pcs	17  12pcs



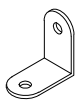
STEP 16

20

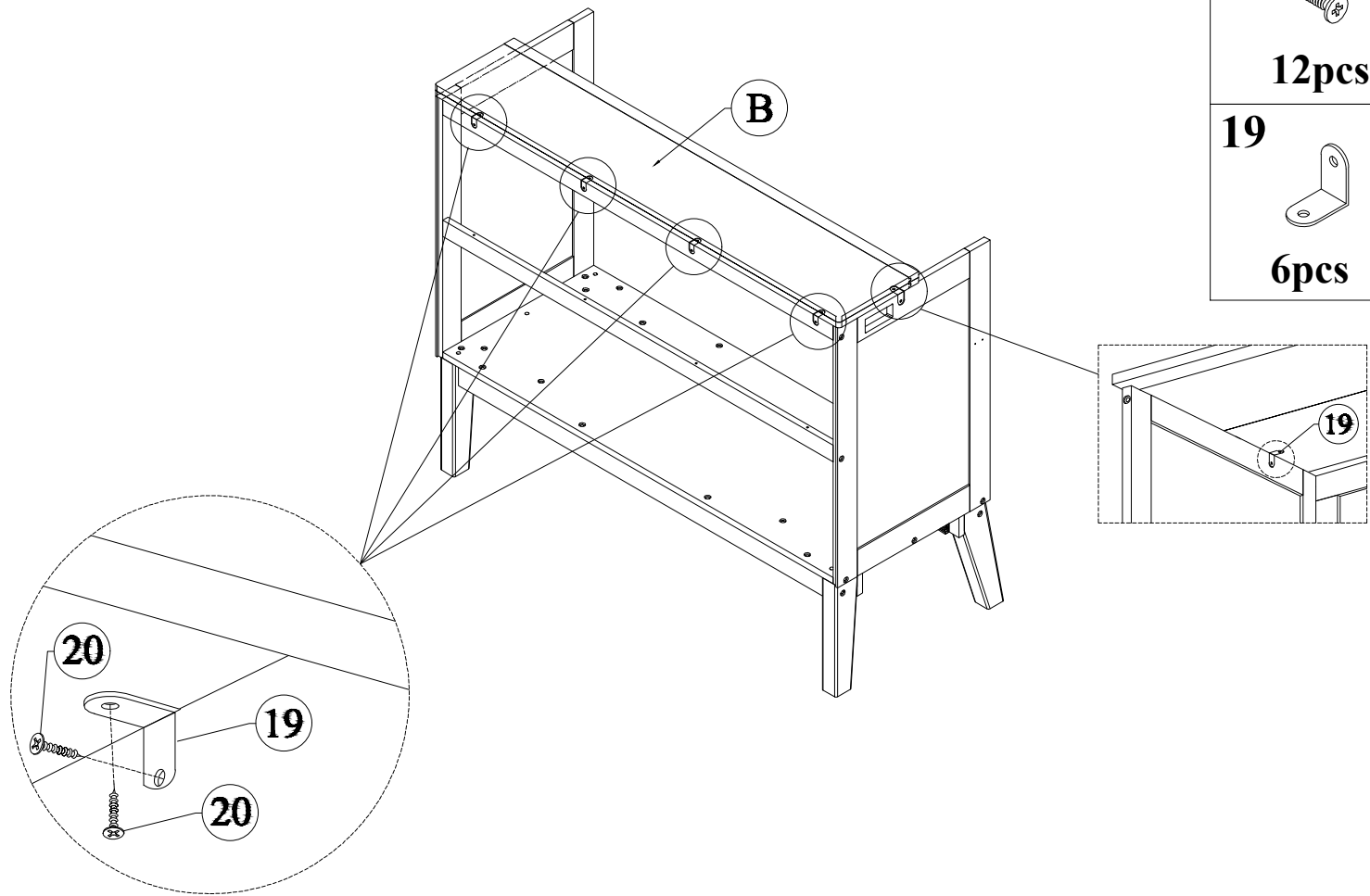


12pcs

19



6pcs

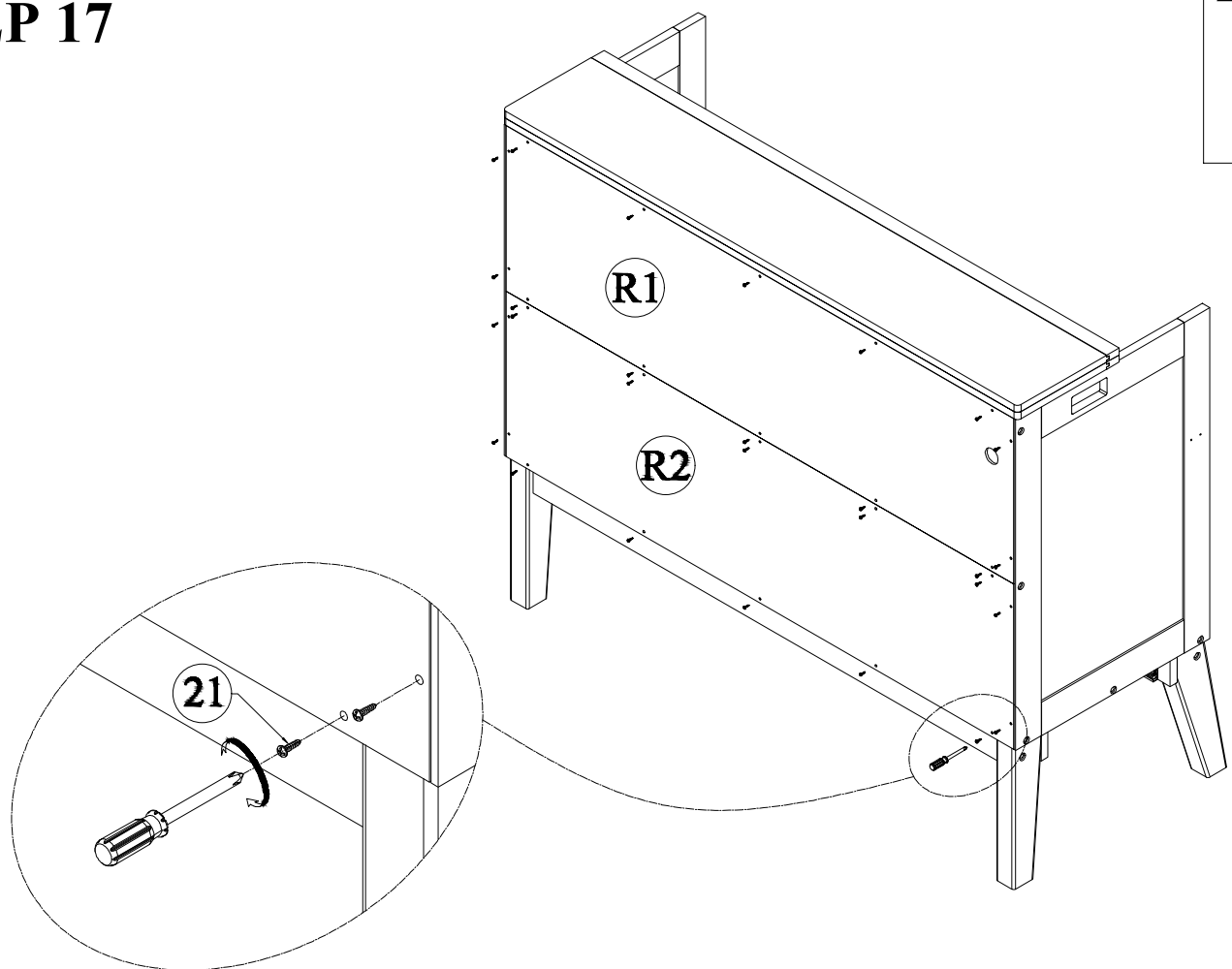


STEP 17

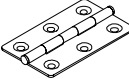

21

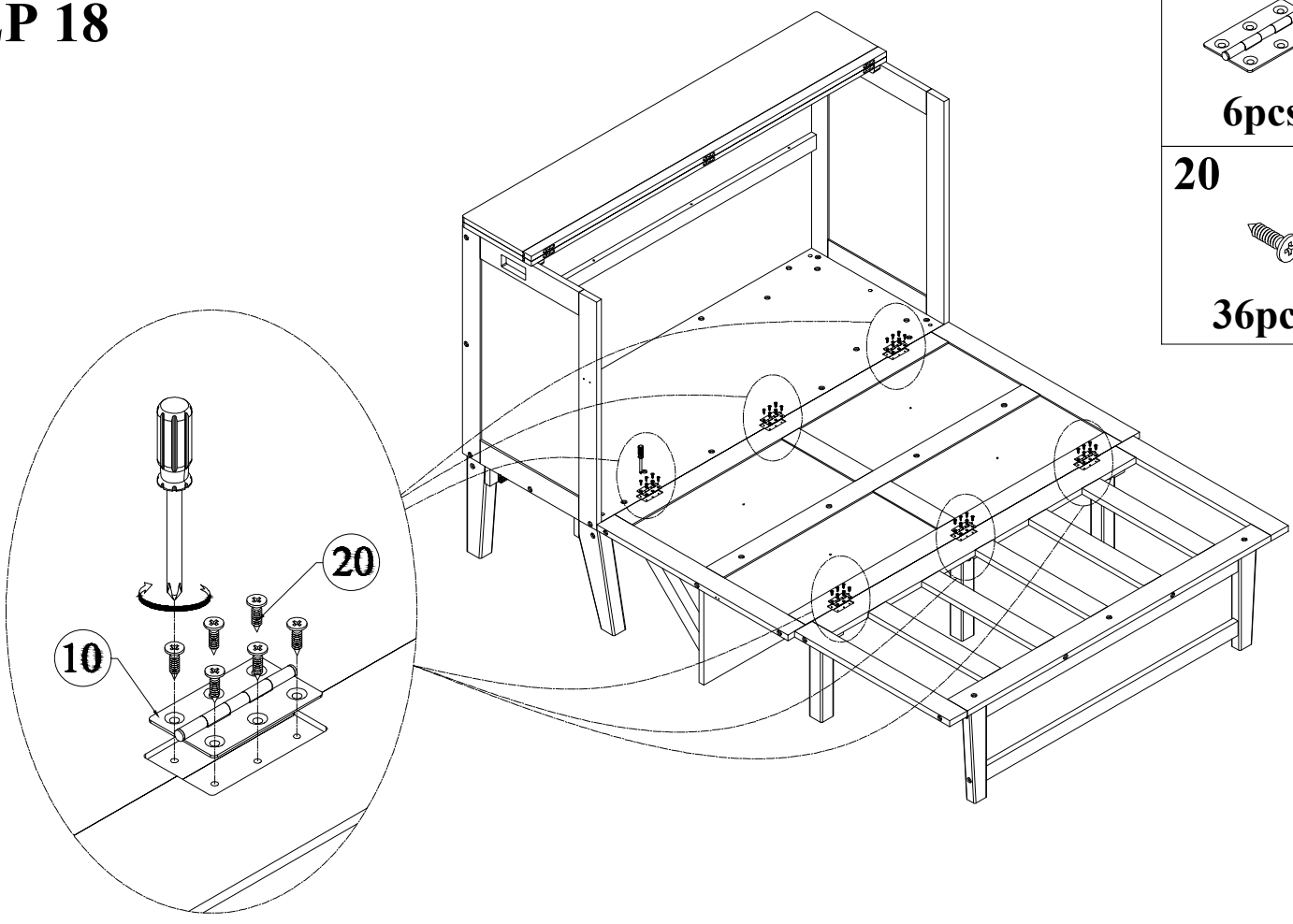


28pcs

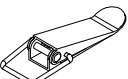




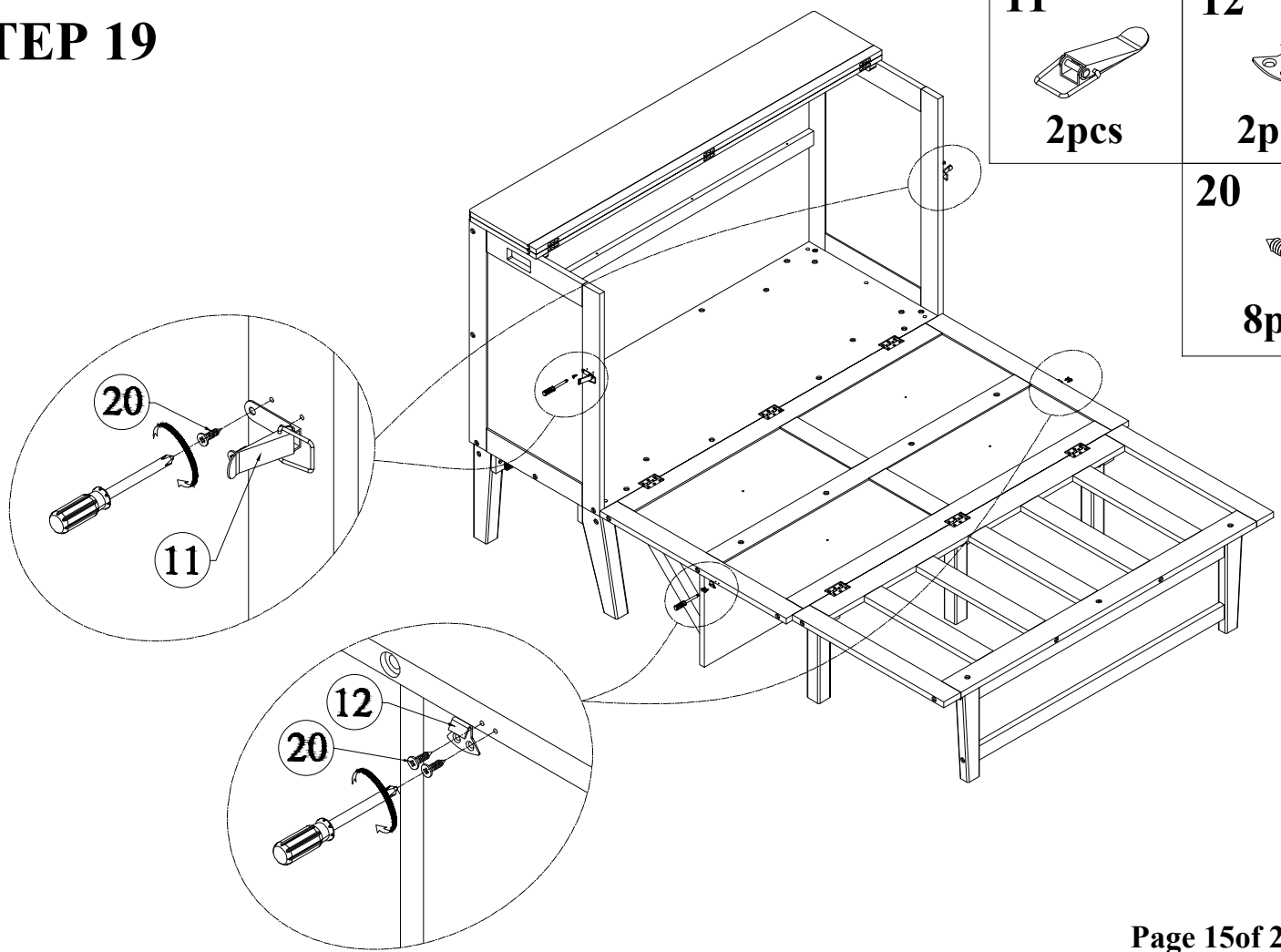
STEP 18

10	
6pcs	
20	
36pcs	

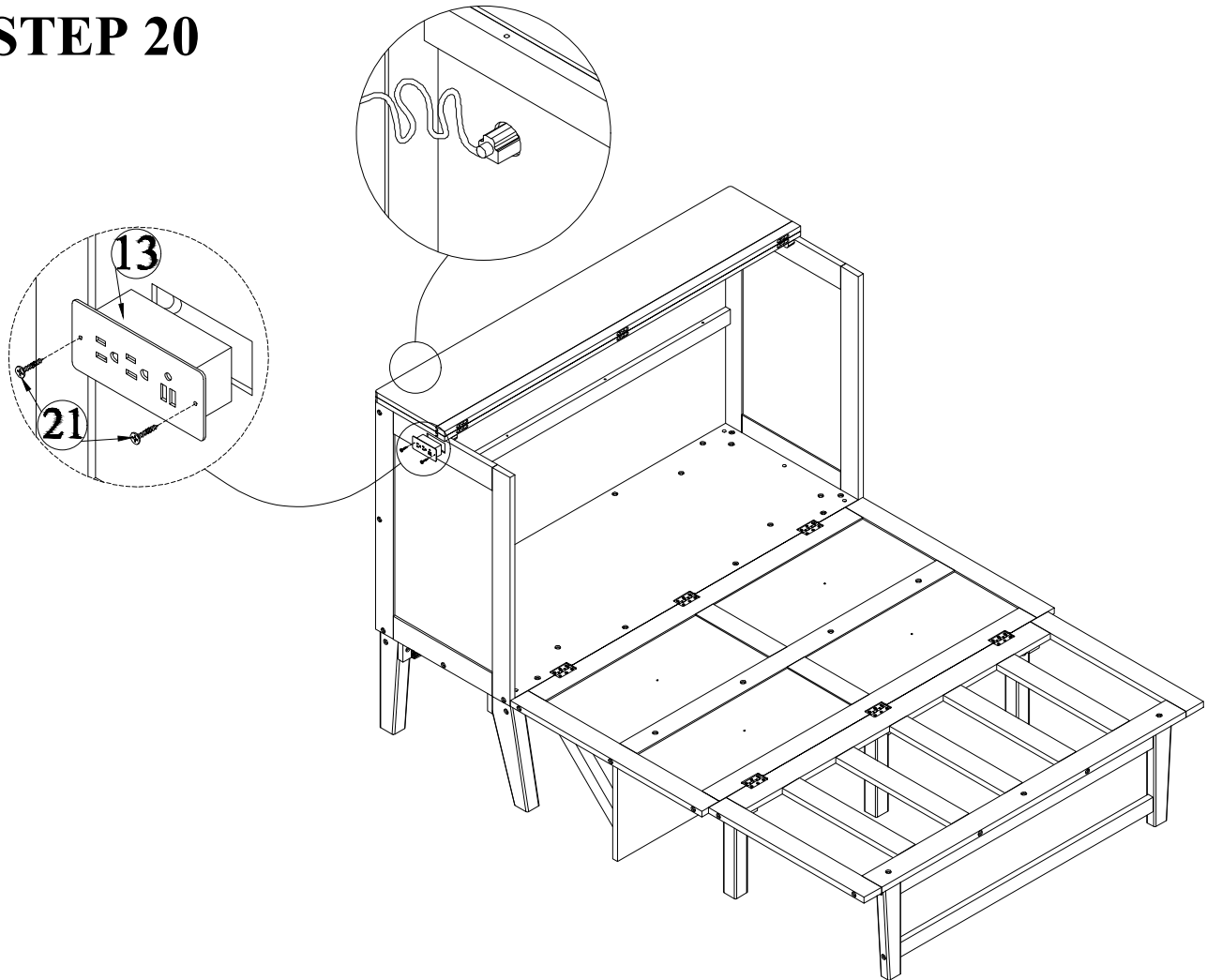


STEP 19

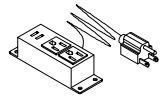
11		12	
2pcs		2pcs	
20		8pcs	



STEP 20



13



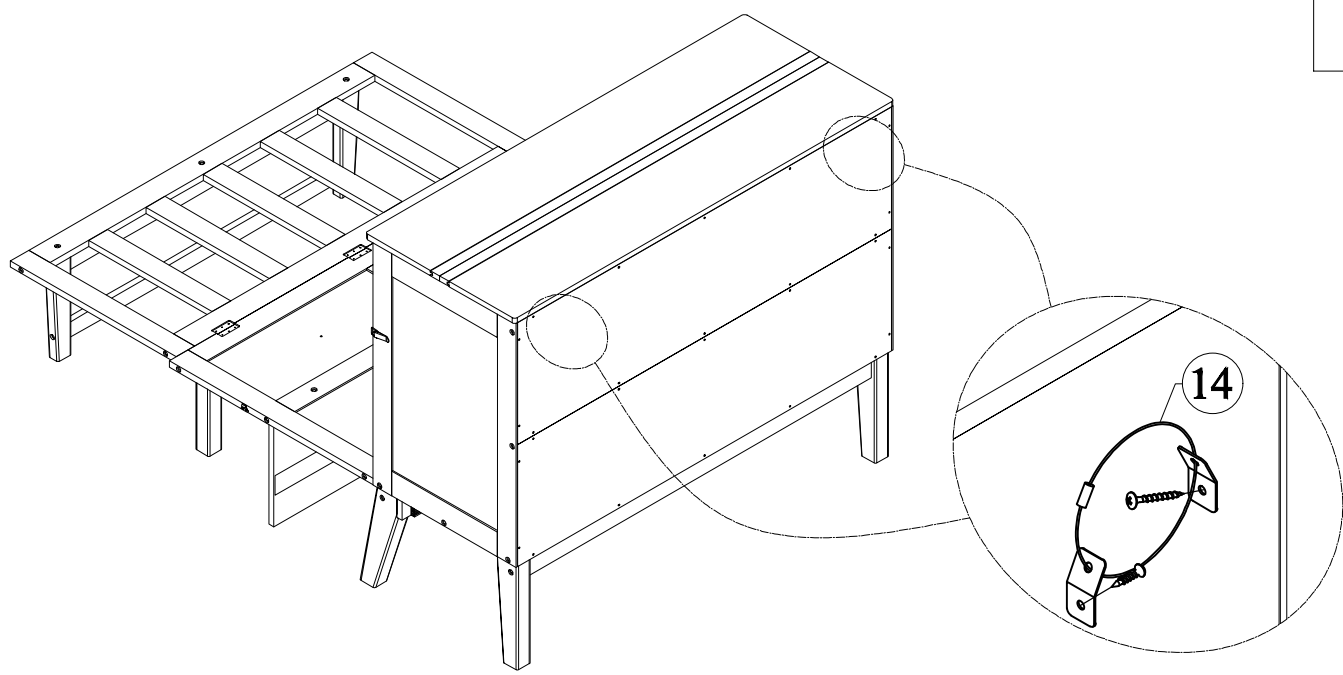
1pc

21

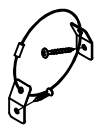


4pcs

STEP 21

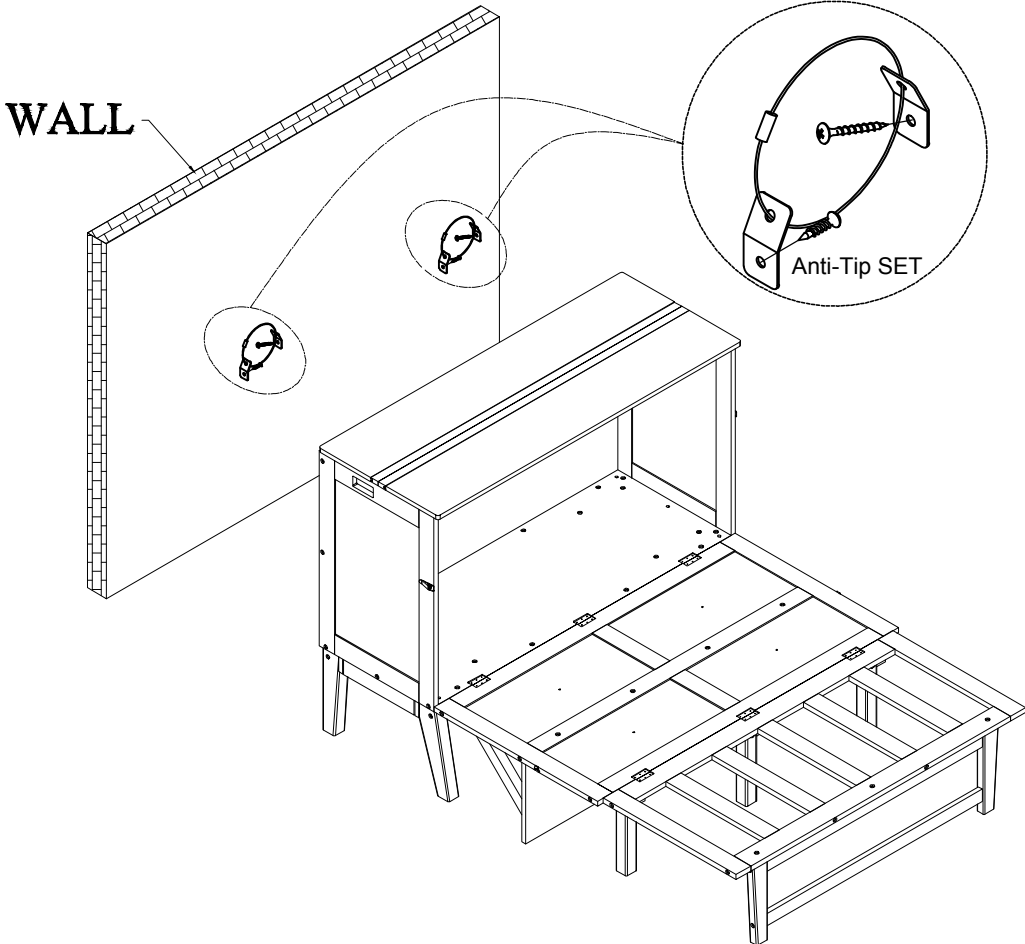


14

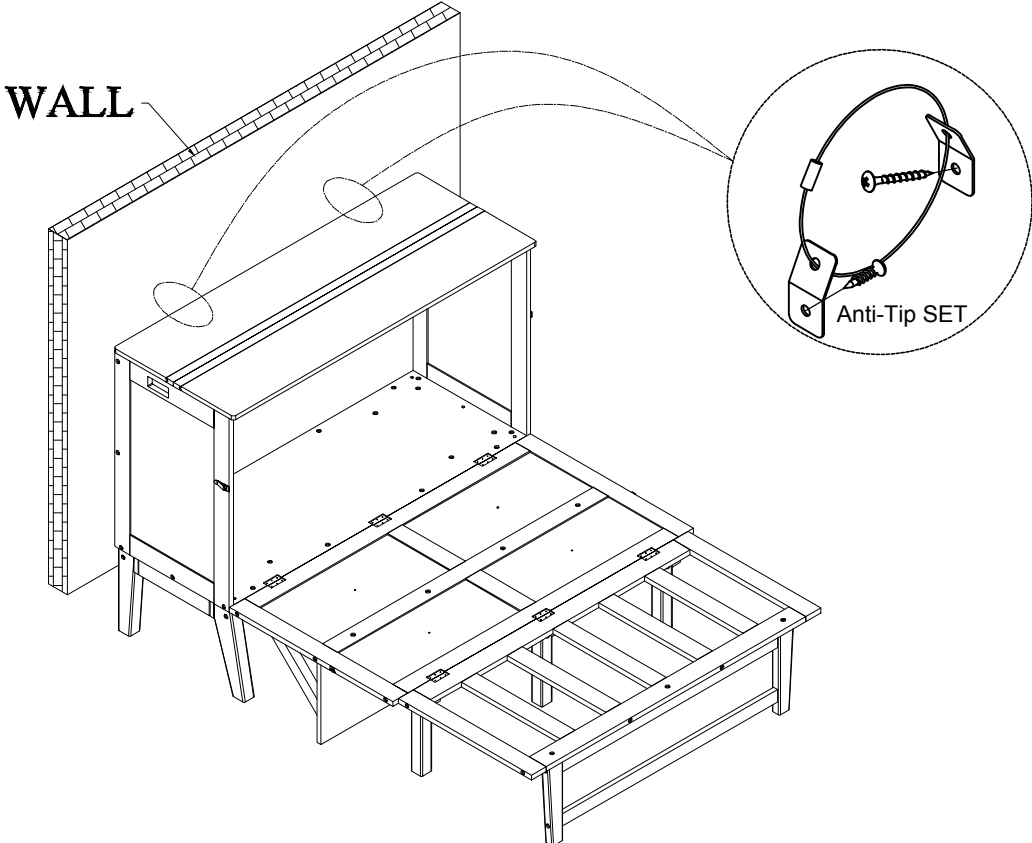


2sets

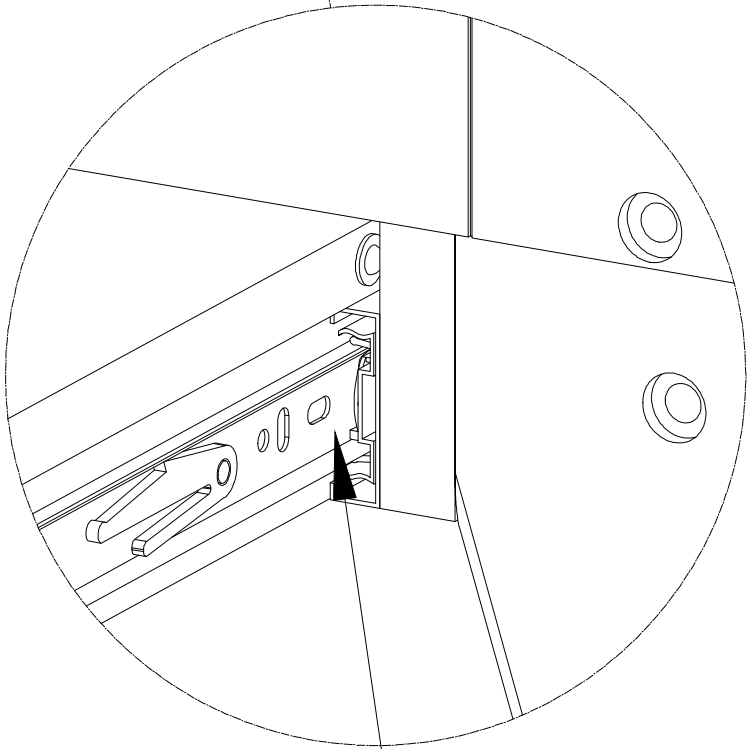
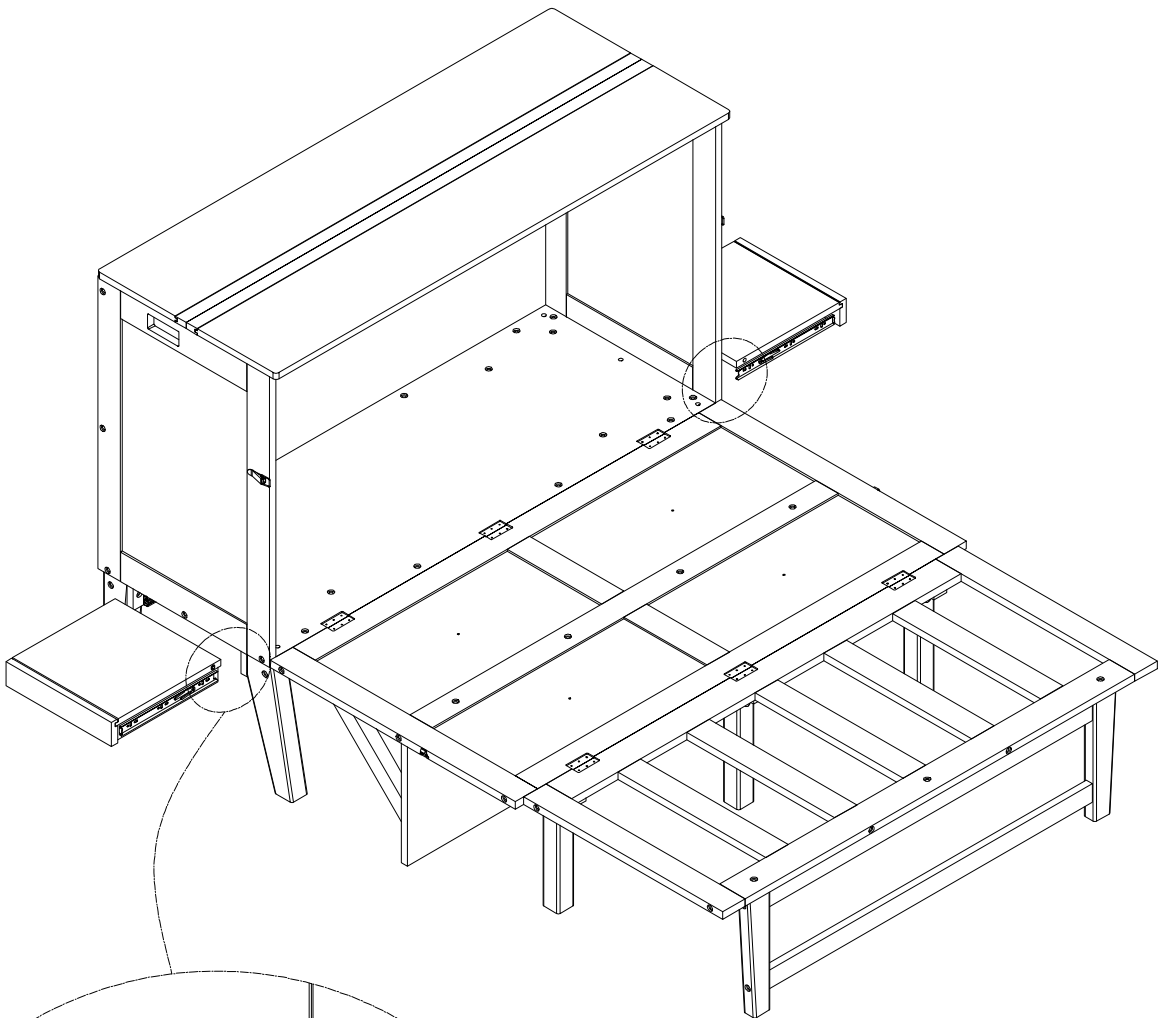
STEP 22



STEP 23

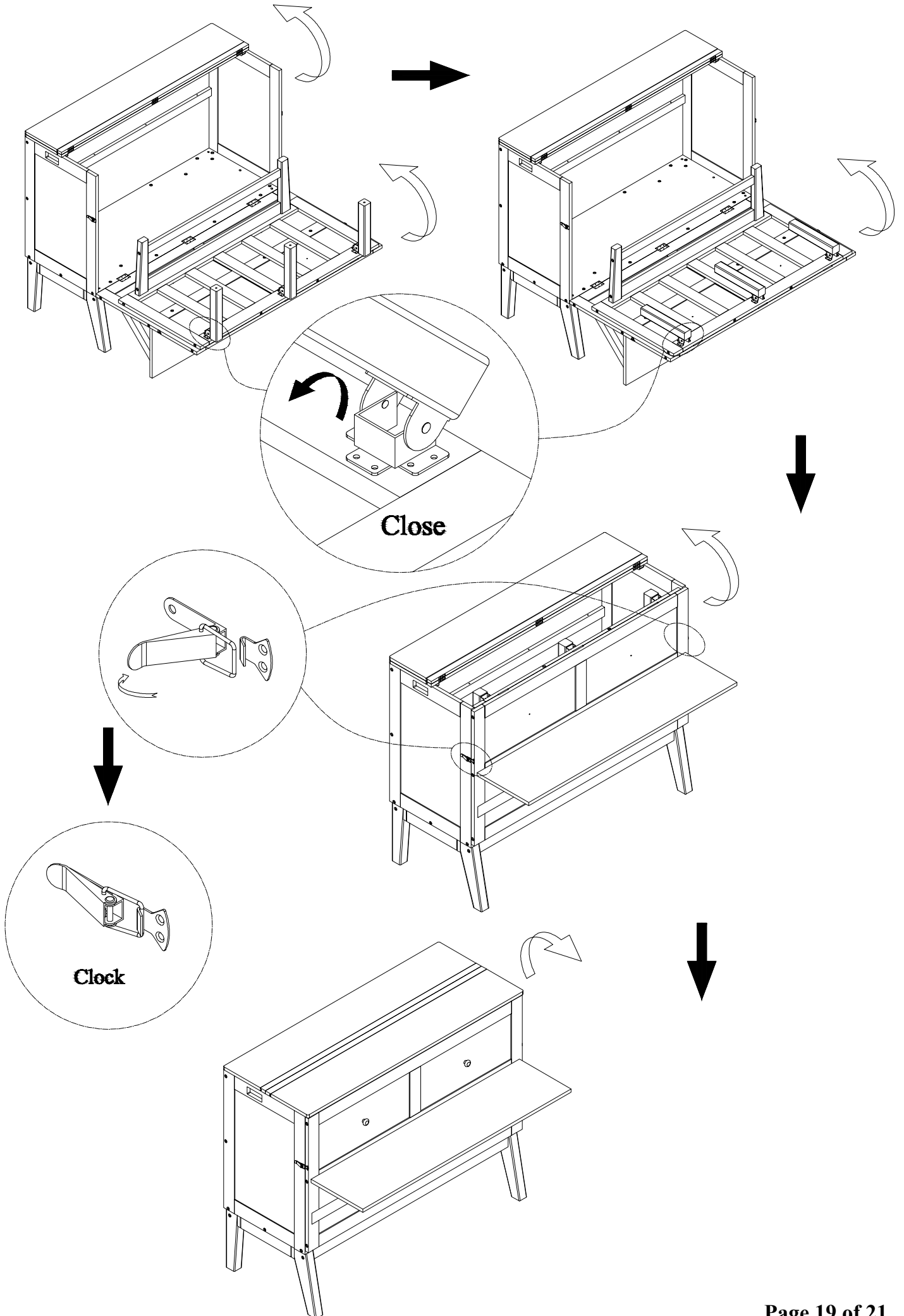


STEP 24

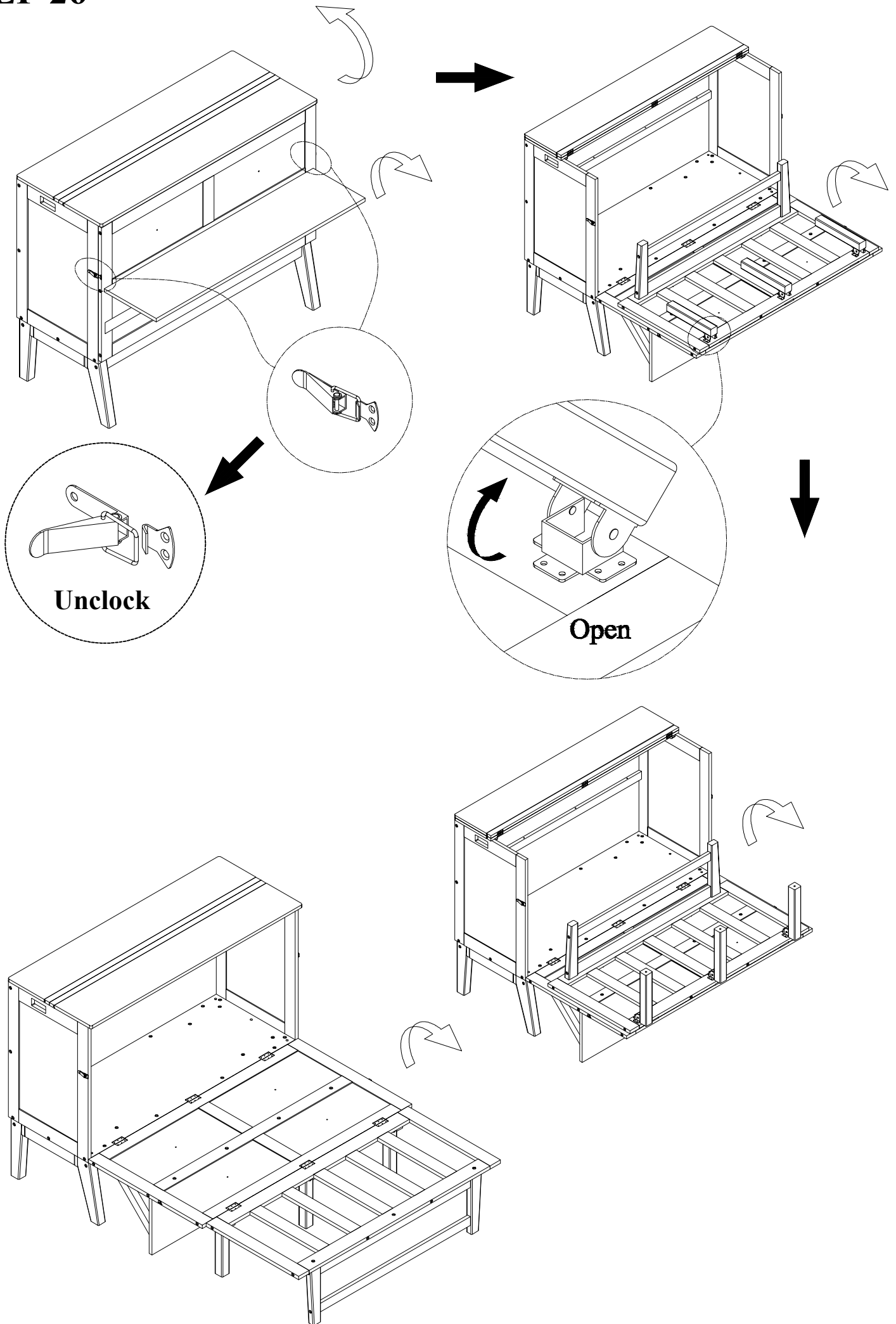


Place the end of the slider in the groove before pushing it in

STEP 25



STEP 26



COMPLETED

