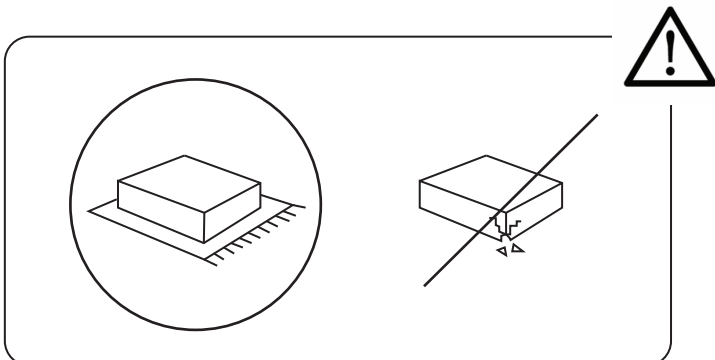
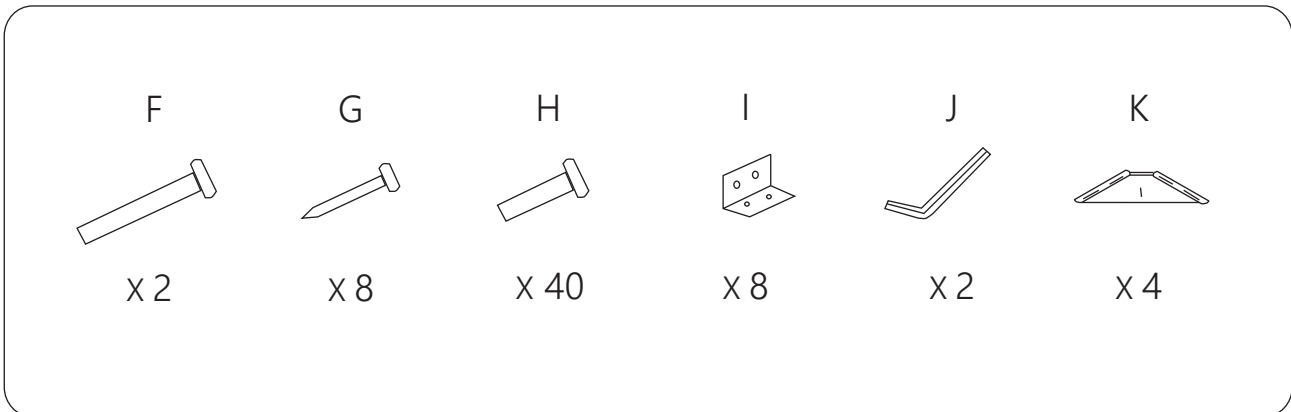
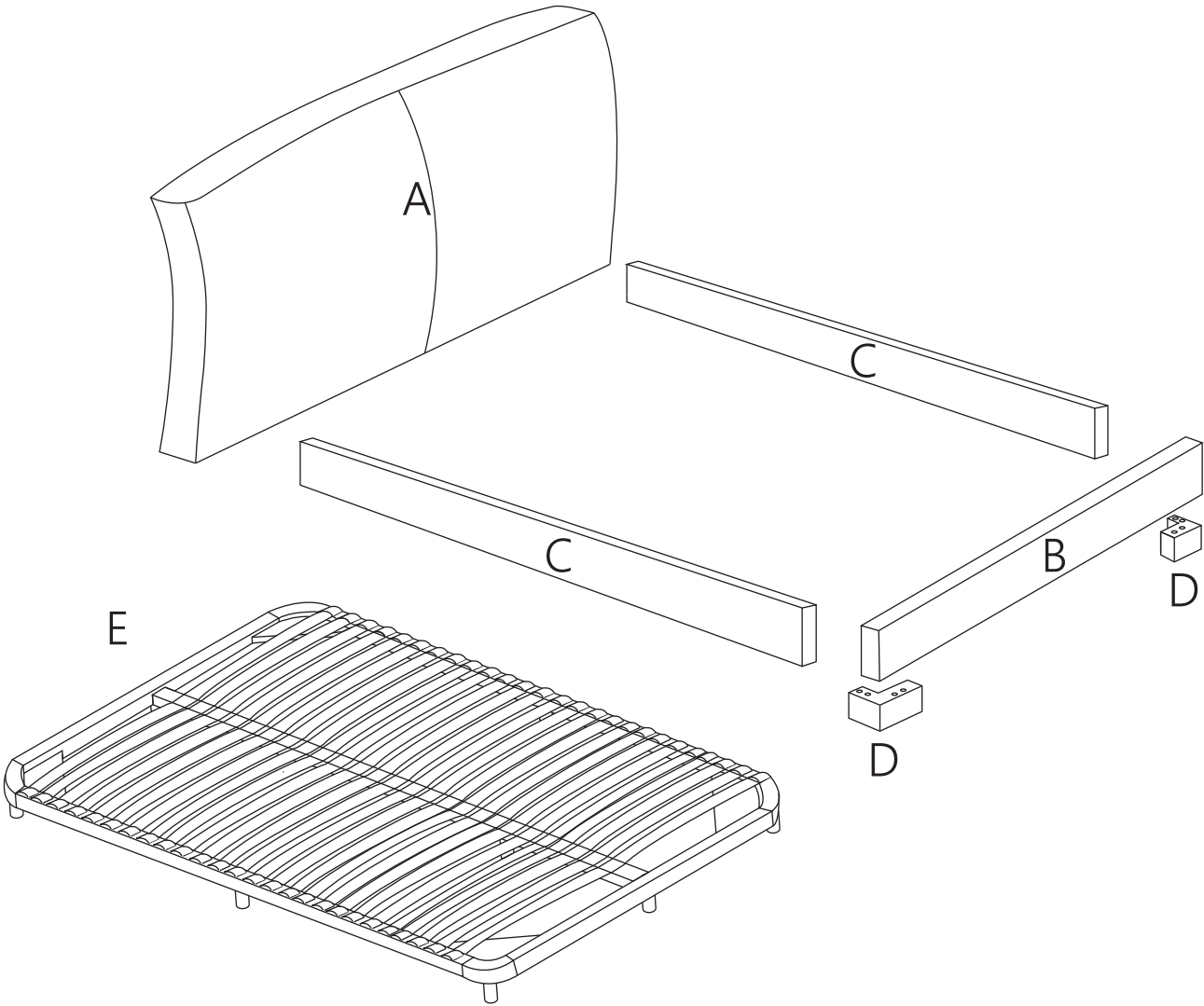
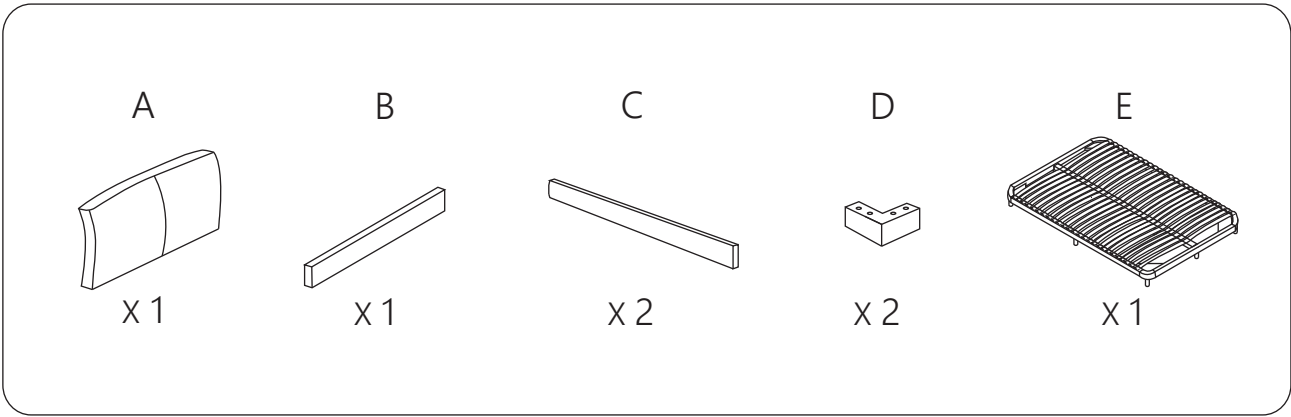


30'

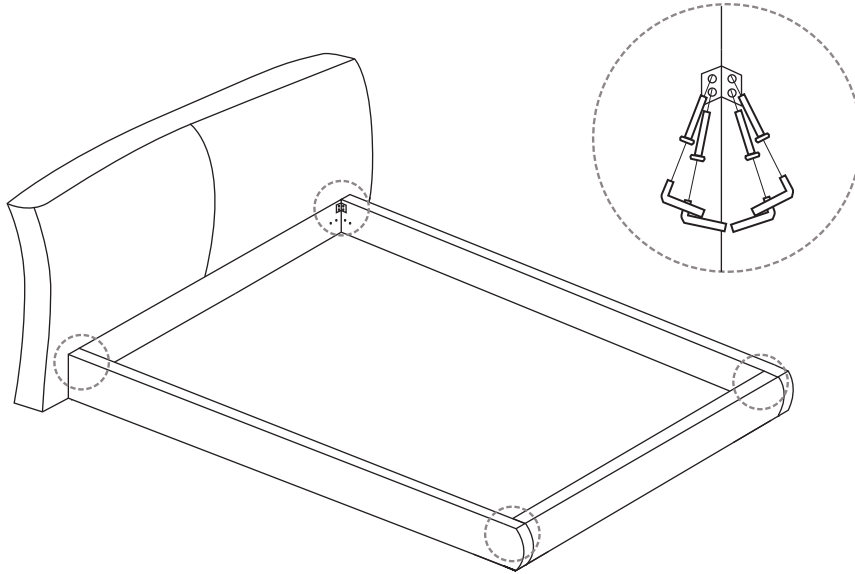


2



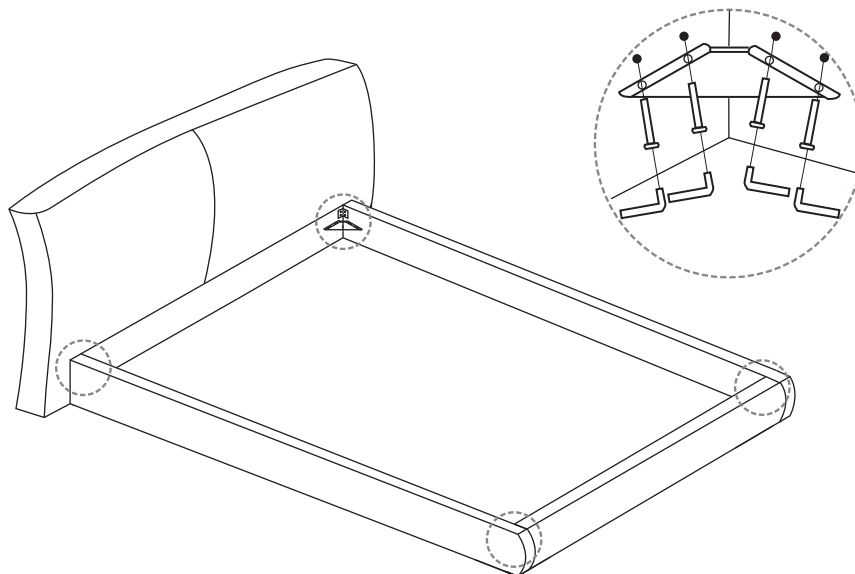
1

 Ax1  Bx1  Cx2  Ix4  Hx16  Jx1



2

 Kx4  Hx16  Jx1

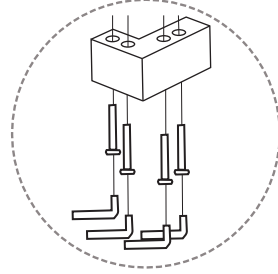
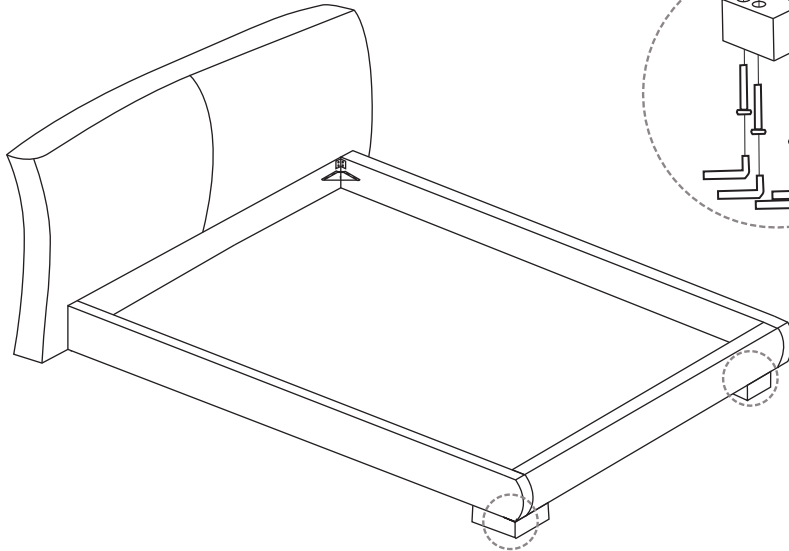


3

 Dx2

 Gx8

 Jx1

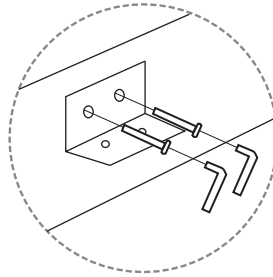
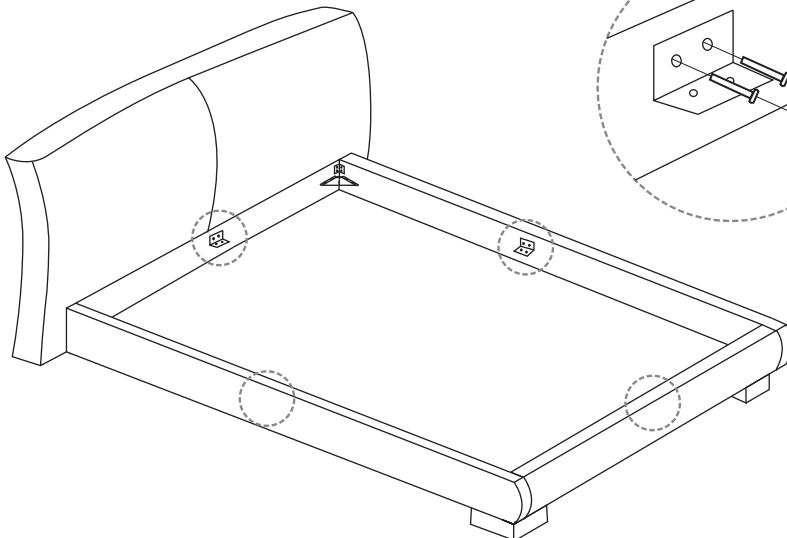


4

 Ix4

 Hx8

 J x1



5

