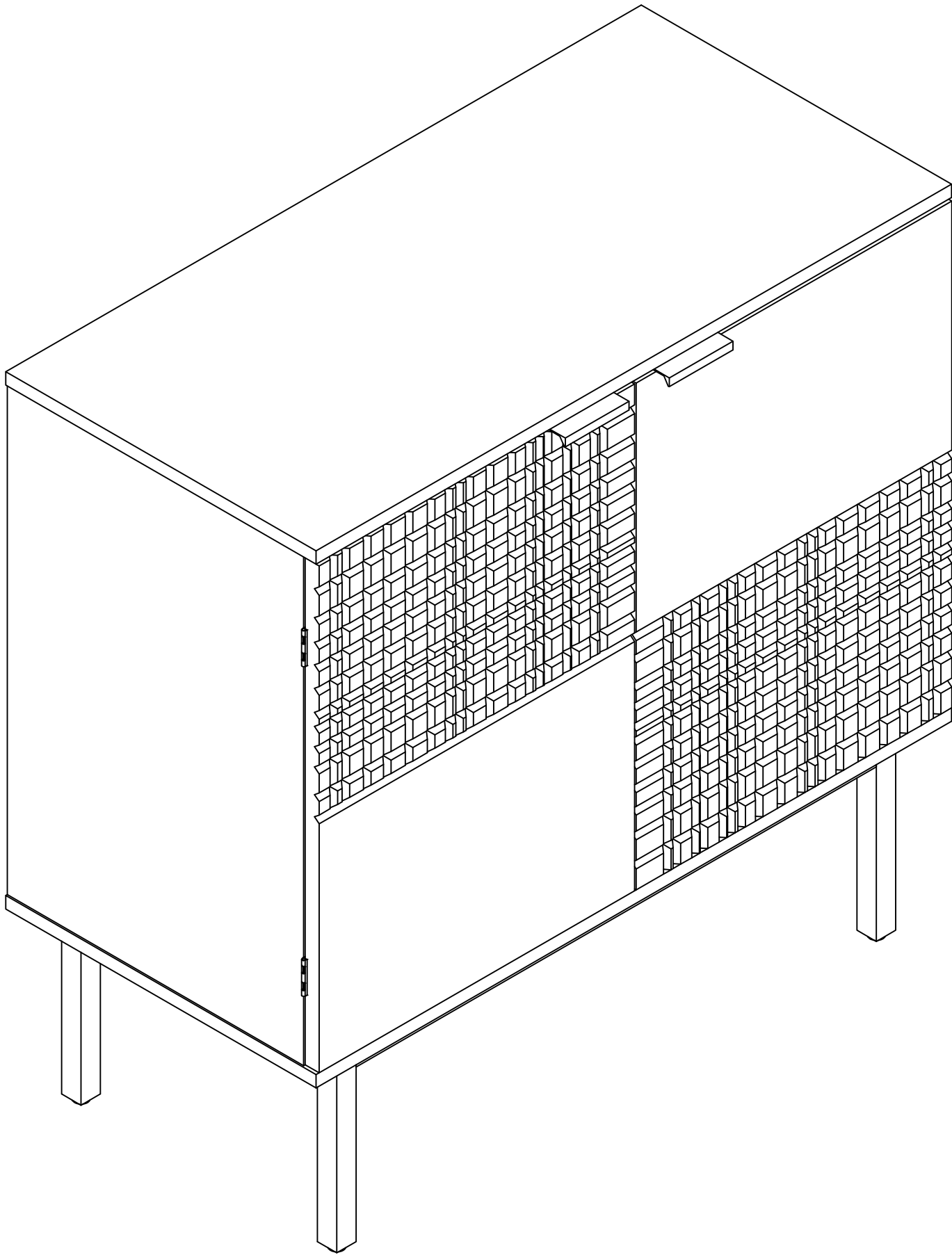


Owner Manual



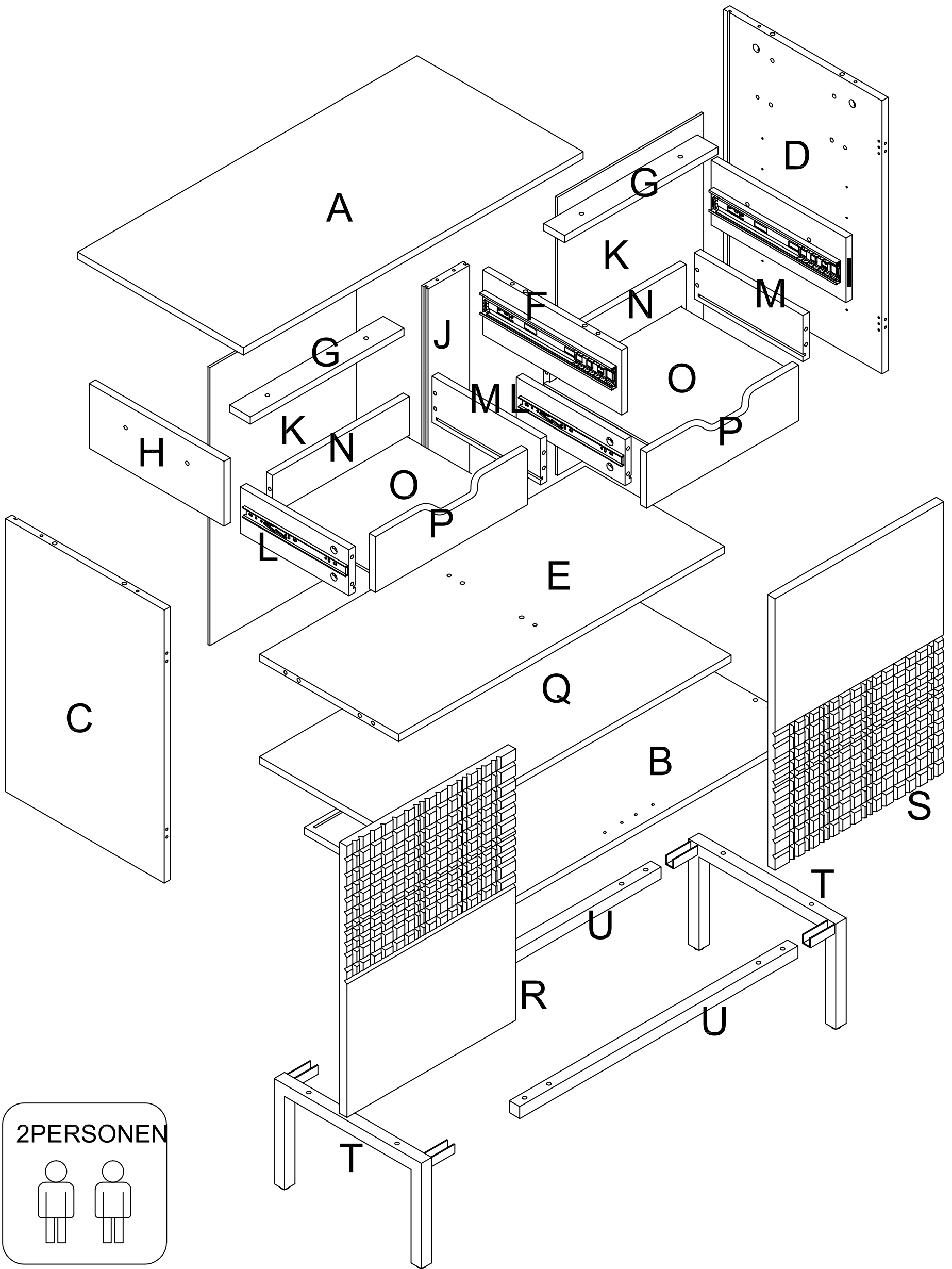
NOTE:

This brochure contains **IMPORTANT** safety info. Please read and keep for future reference.

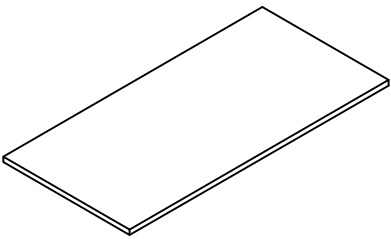
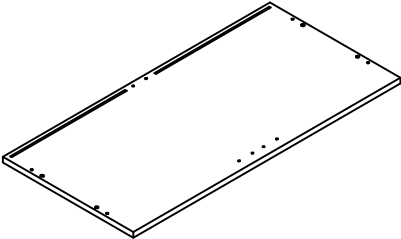
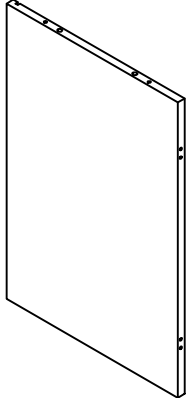
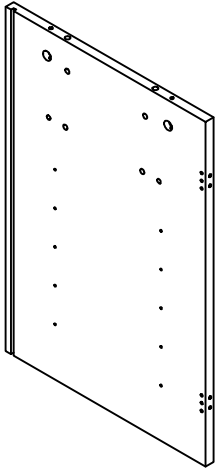
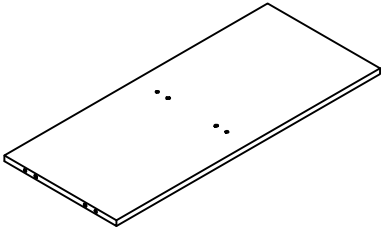
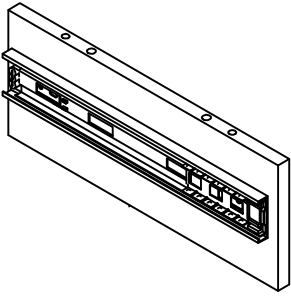
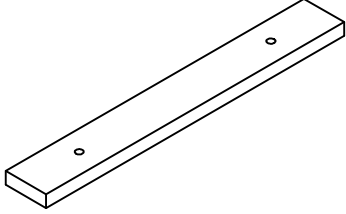
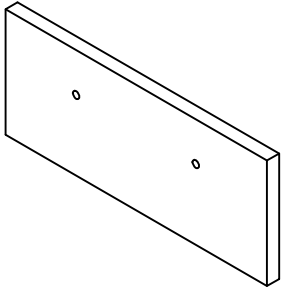
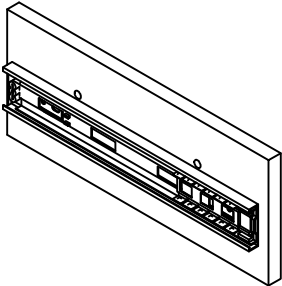

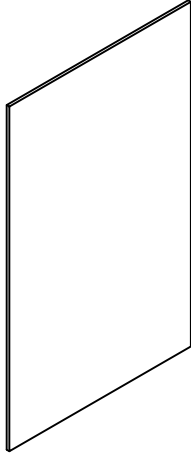
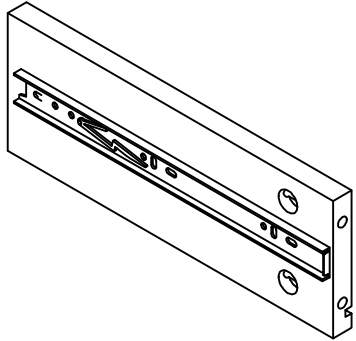
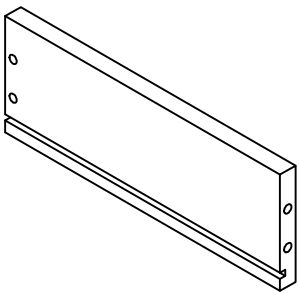
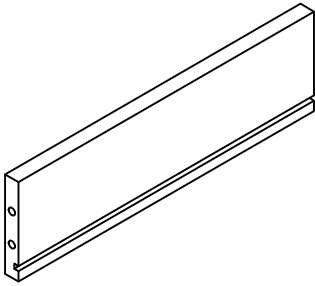
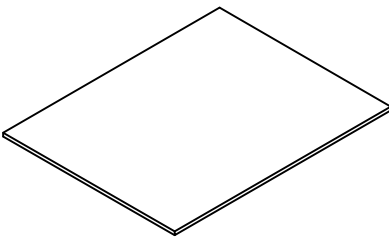
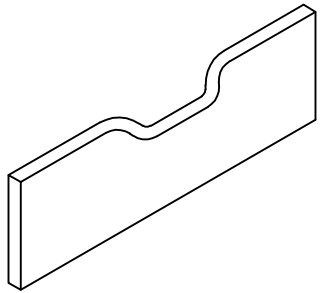
MAINTENANCE AND WARNING

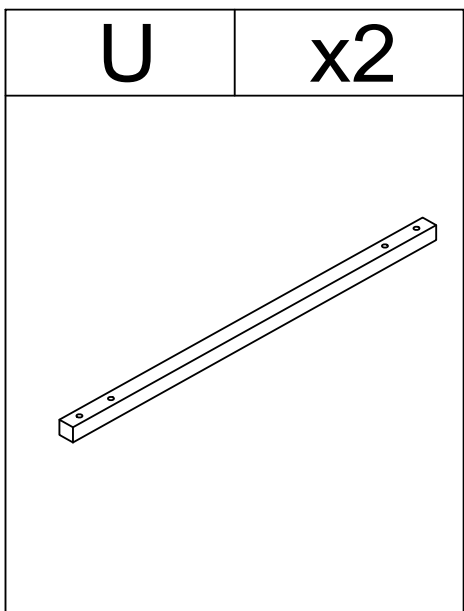
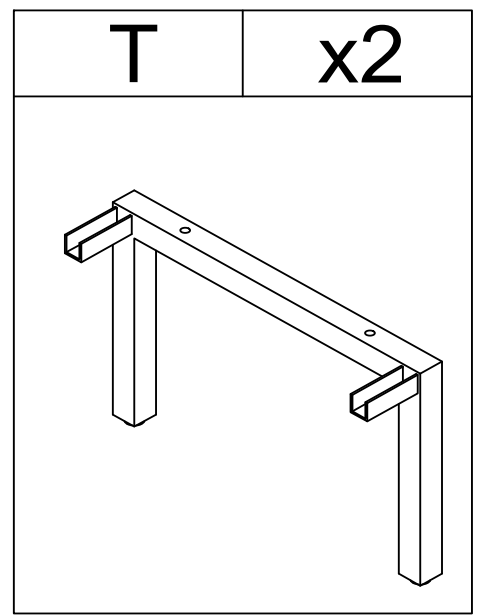
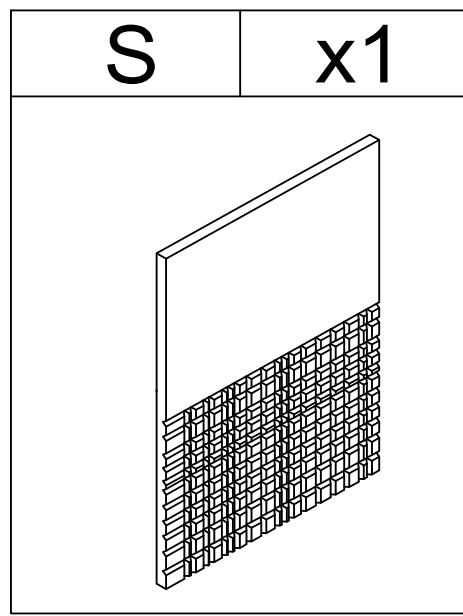
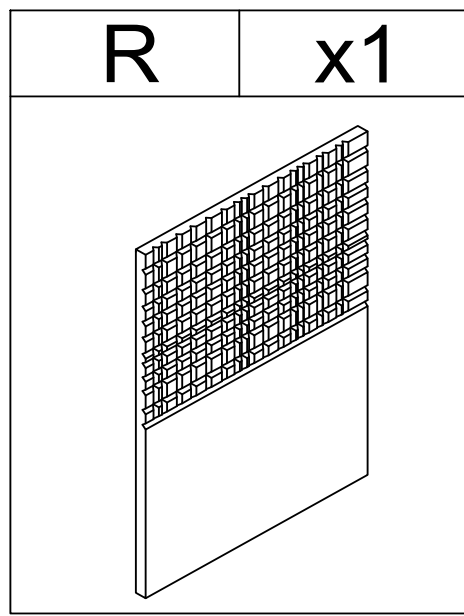
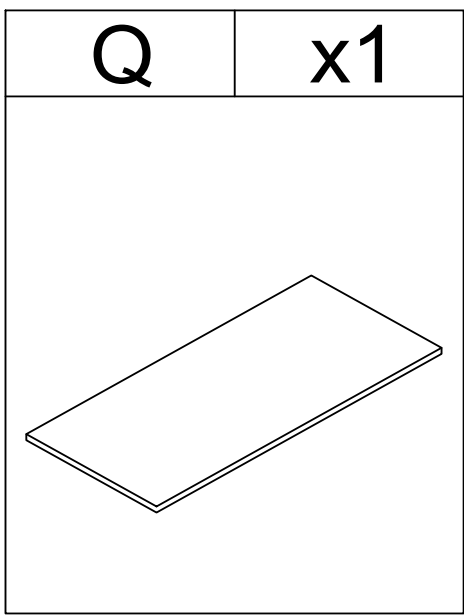
- 1.Keep furniture away from heat sources.
- 2.Do not clean furniture with harsh cleaner or polishes.Do not use detergents,solvents,abrasives,spray packs or leather cleaner. Use non-color mild soap with warm water to clean spills(Mix 1:10 soap to water).
- 3.Do not place furniture under direct sunlight,material will possibly fade over time.
- 4.Do not use on site dry cleaning machine.Children should not climb or jump on the furniture.
- 5.Do not write on furniture that is not protectedby a padded barrier.
- 6.Not for commercial use,only for residential use.



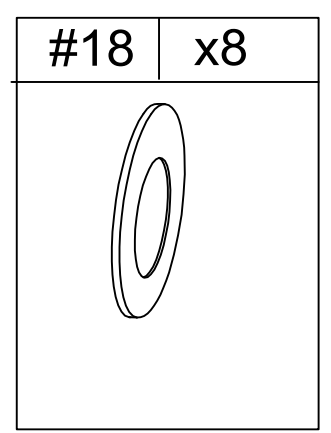
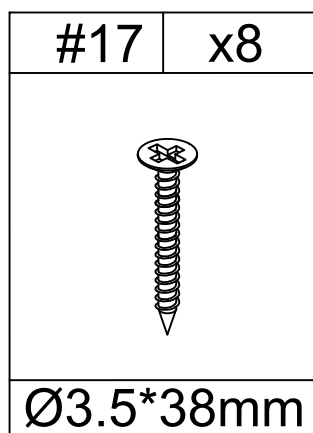
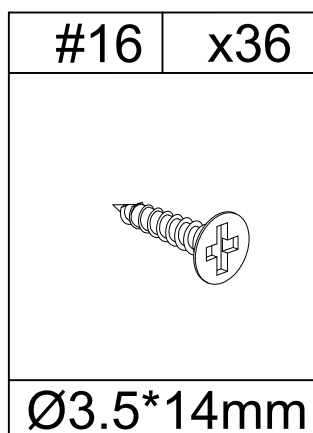
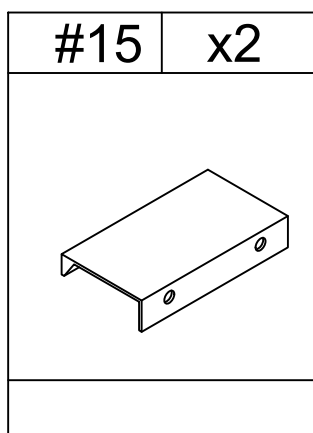
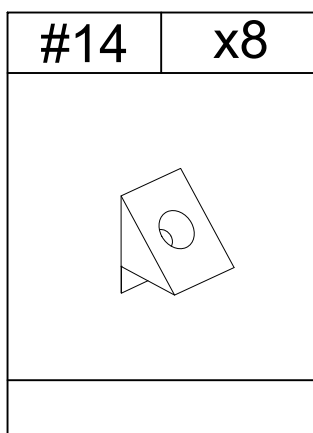
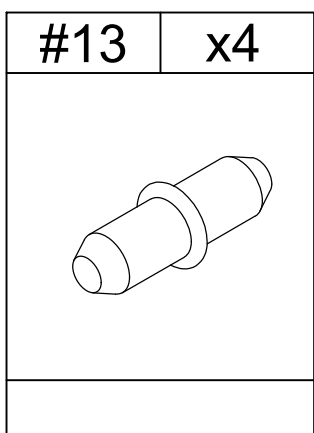
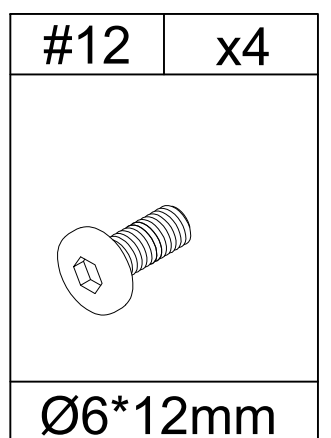
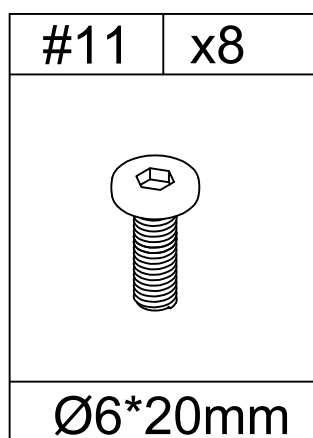
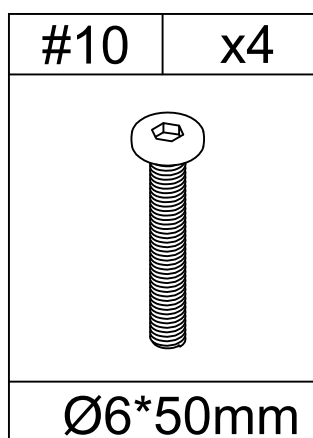
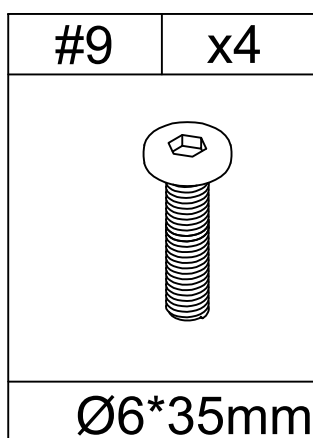
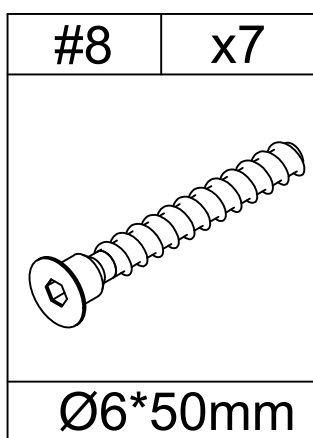
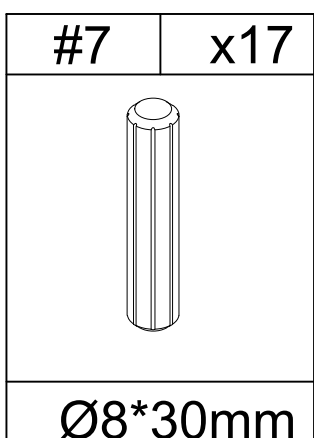
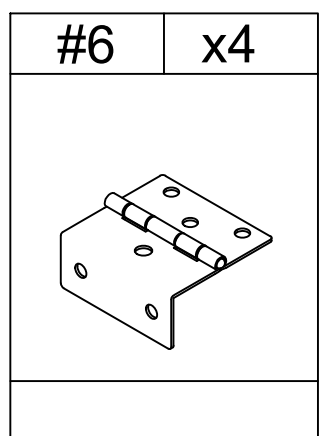
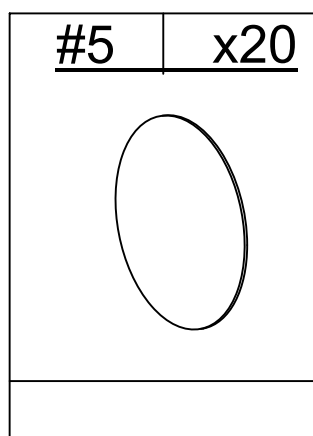
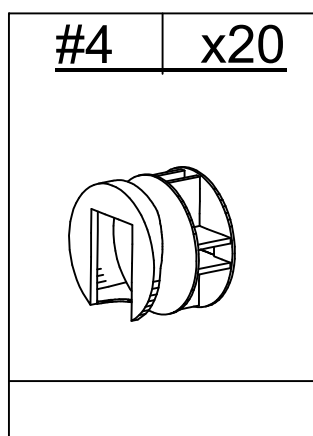
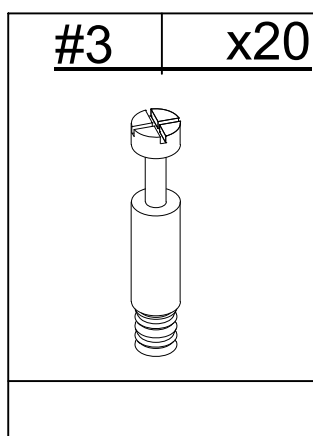
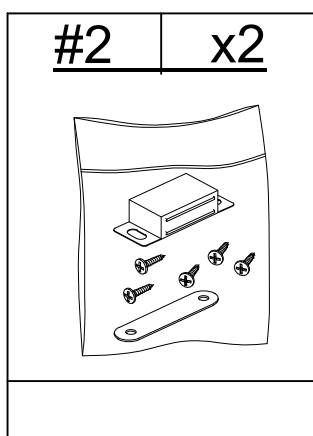
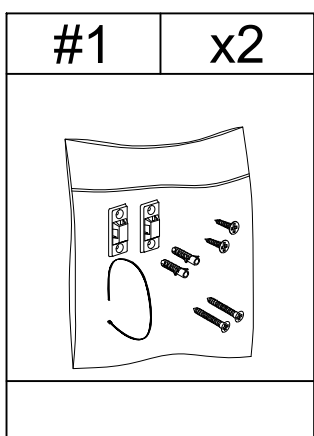


PARTS LIST

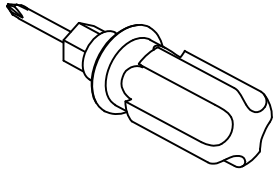
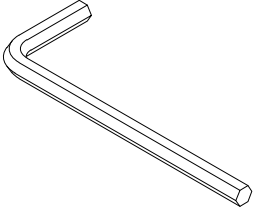
A	x1	B	x1	C	x1	D	x1
							
E	x1	F	x1	G	x2	H	x1
							
I	x1	J	x1	K	x2	L	x2
							
M	x2	N	x2	O	x2	P	x2
							



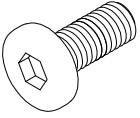
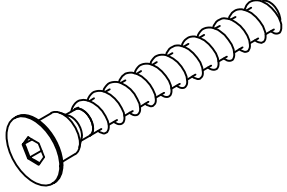
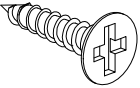
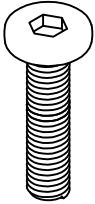
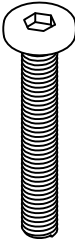
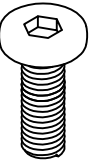

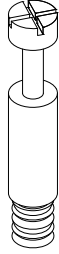
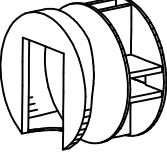
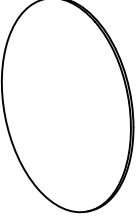


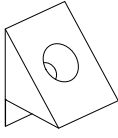
HARDWARE LIST



TOOL LIST

#19	x1	#20	x1
			

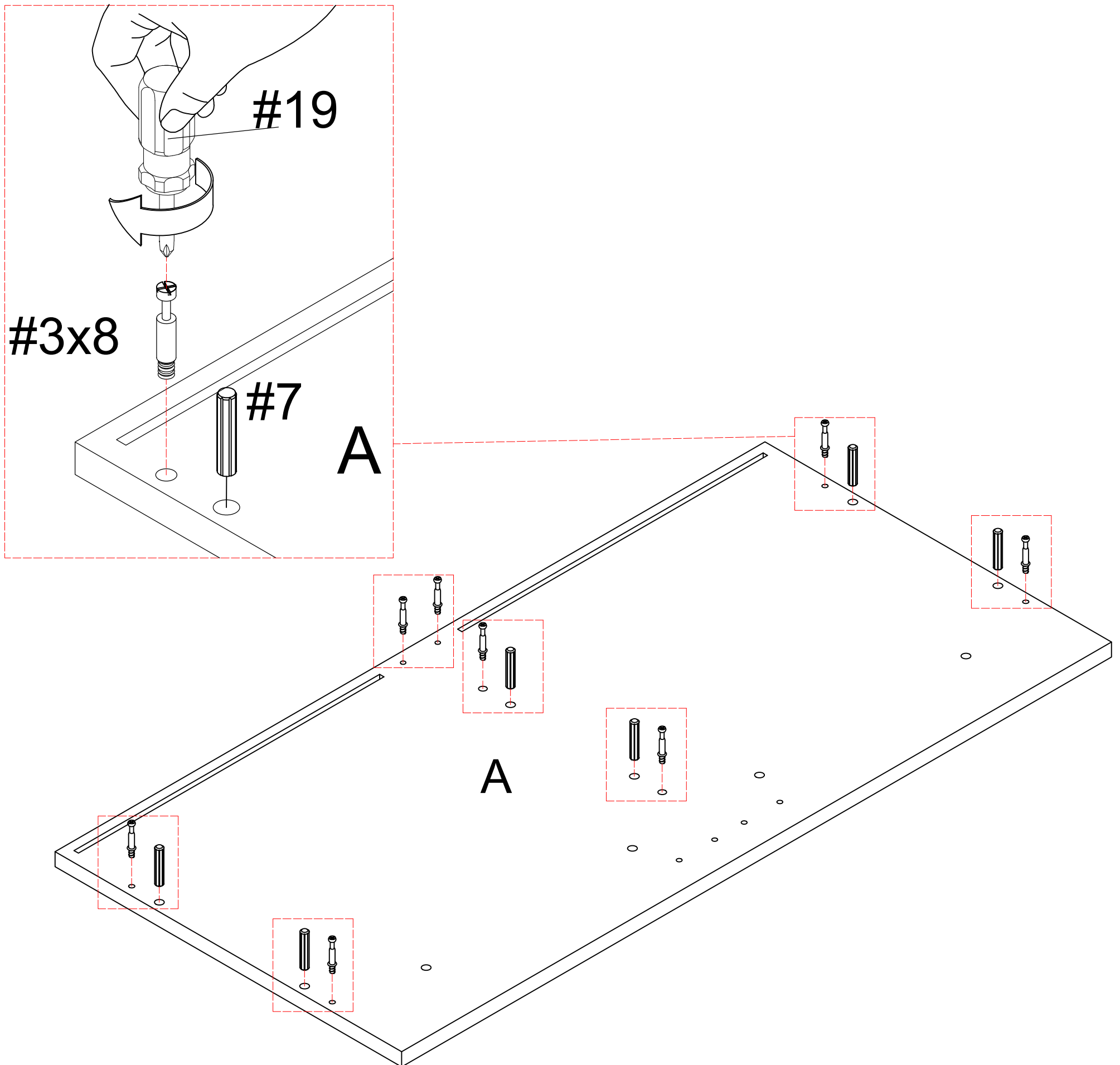
HARDWARE SPARE LIST

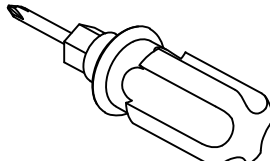
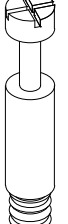

#12	x1	#8	x1	#16	x4	#9	x1	#10	x1	#11	x1
											
Ø6*12mm		Ø6*50mm		Ø3.5*14mm		Ø6*35mm		Ø6*50mm		Ø6*20mm	
#17	x1	#3	x2	#4	x2	#5	x2	#7	x1	#18	x1
											
Ø3.5*38mm								Ø8*30mm			
#14	x1										
											

ASSEMBLY INSTRUCTIONS

STEP-1

Prepare for part A. Align the holes in part A, insert wooden dowel #7 by hand, tighten with screwdriver #19 tighten #3.

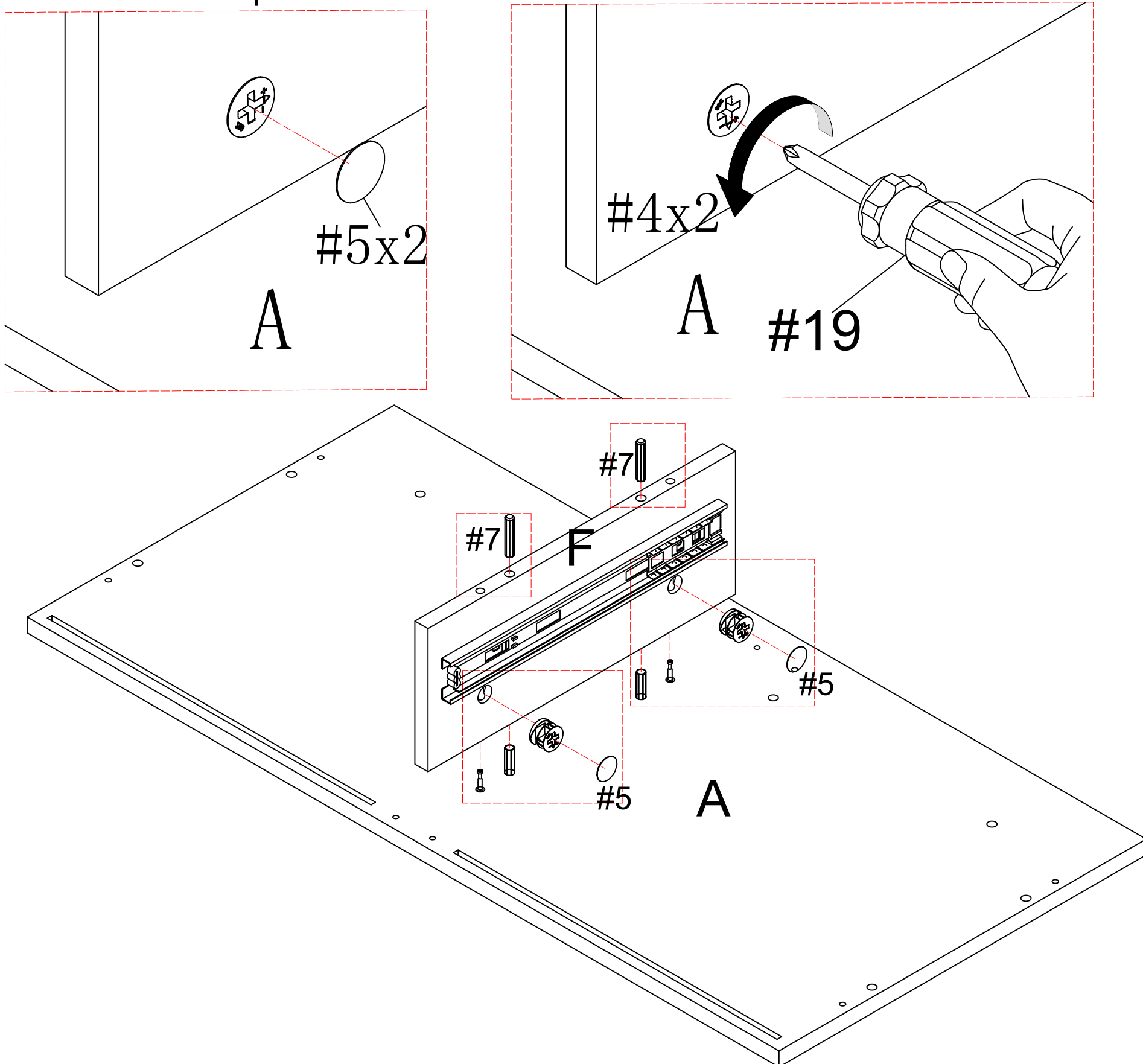


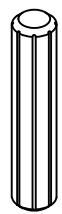
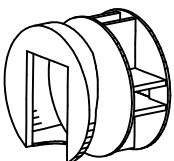
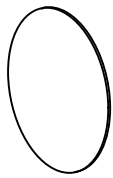
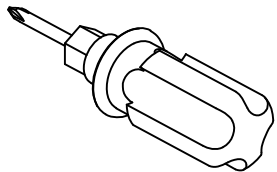
#19	x1	#3	x8	#7	x6
					
				Ø8*30mm	

ASSEMBLY INSTRUCTIONS

STEP-2

Connect the part A with part F align the hole in the part F, insert the bolt #3 in part A into part F. insert cam bolt #4 into the corresponding hole of panel F ,and tighten the nuts #4 with a screwdriver #19. After installation, cover the screw holes with #5. Make sure the groove is in same side as picture show.

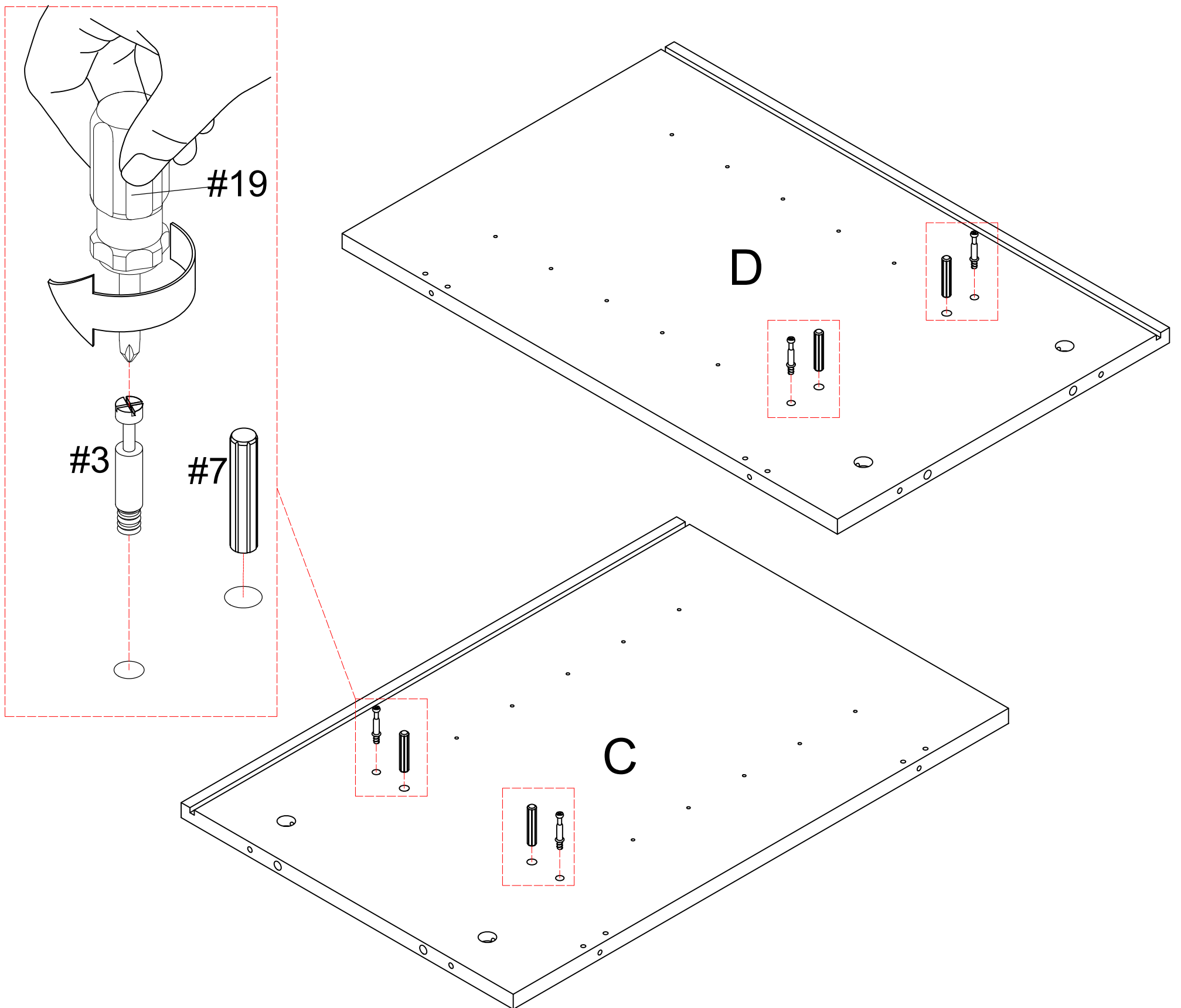


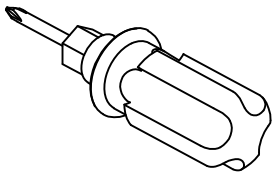
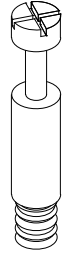

#7	x2	#4	x2	#5	x2	#19	x1
							
Ø8*30mm							

ASSEMBLY INSTRUCTIONS

STEP-3

Prepare for part C&D. Align the holes in part C&D, insert wooden dowel #7 by hand, tighten with screwdriver #19 tighten #3。

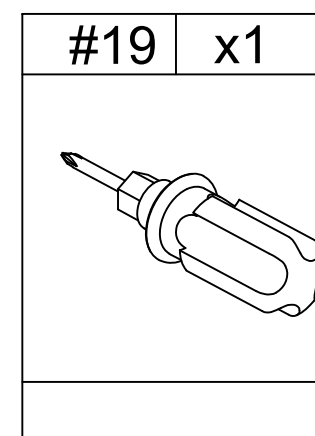
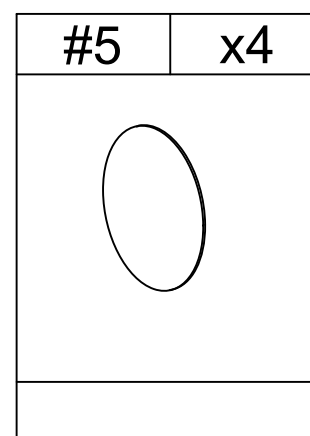
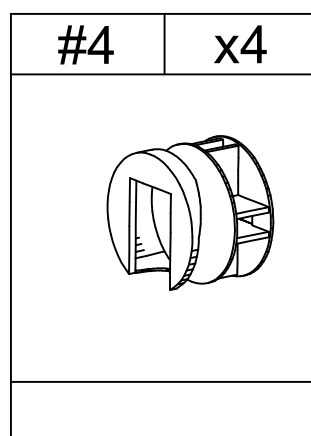
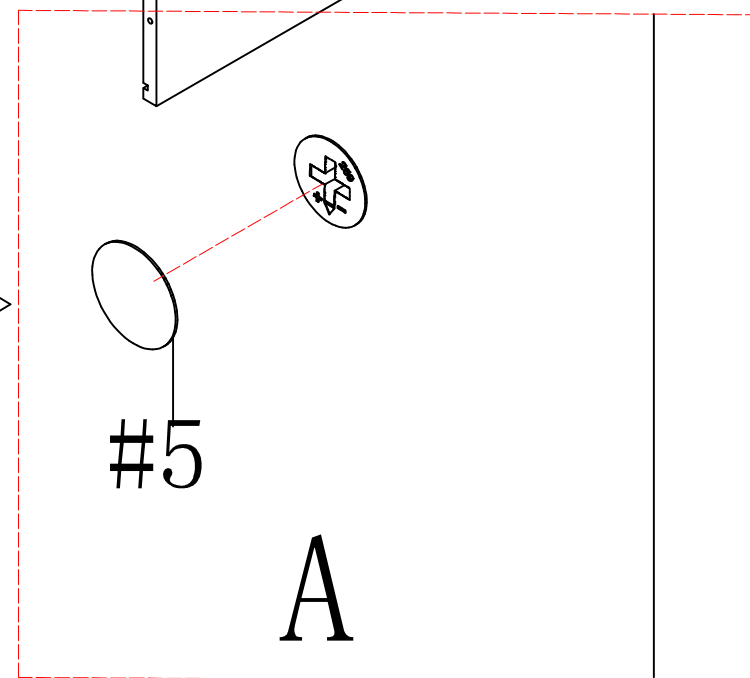
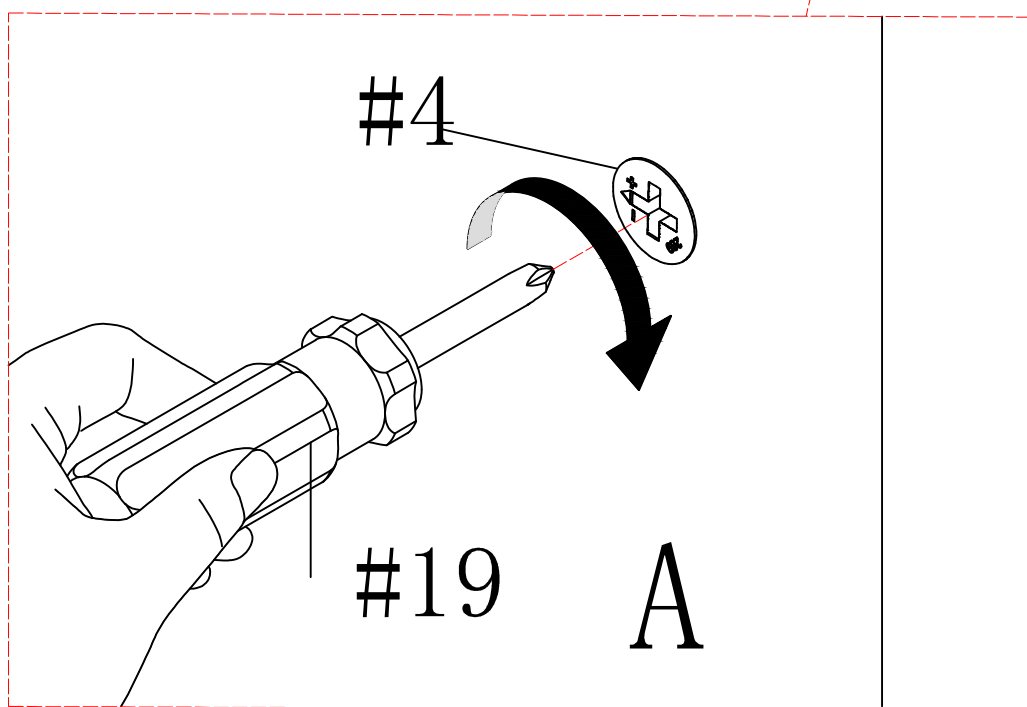
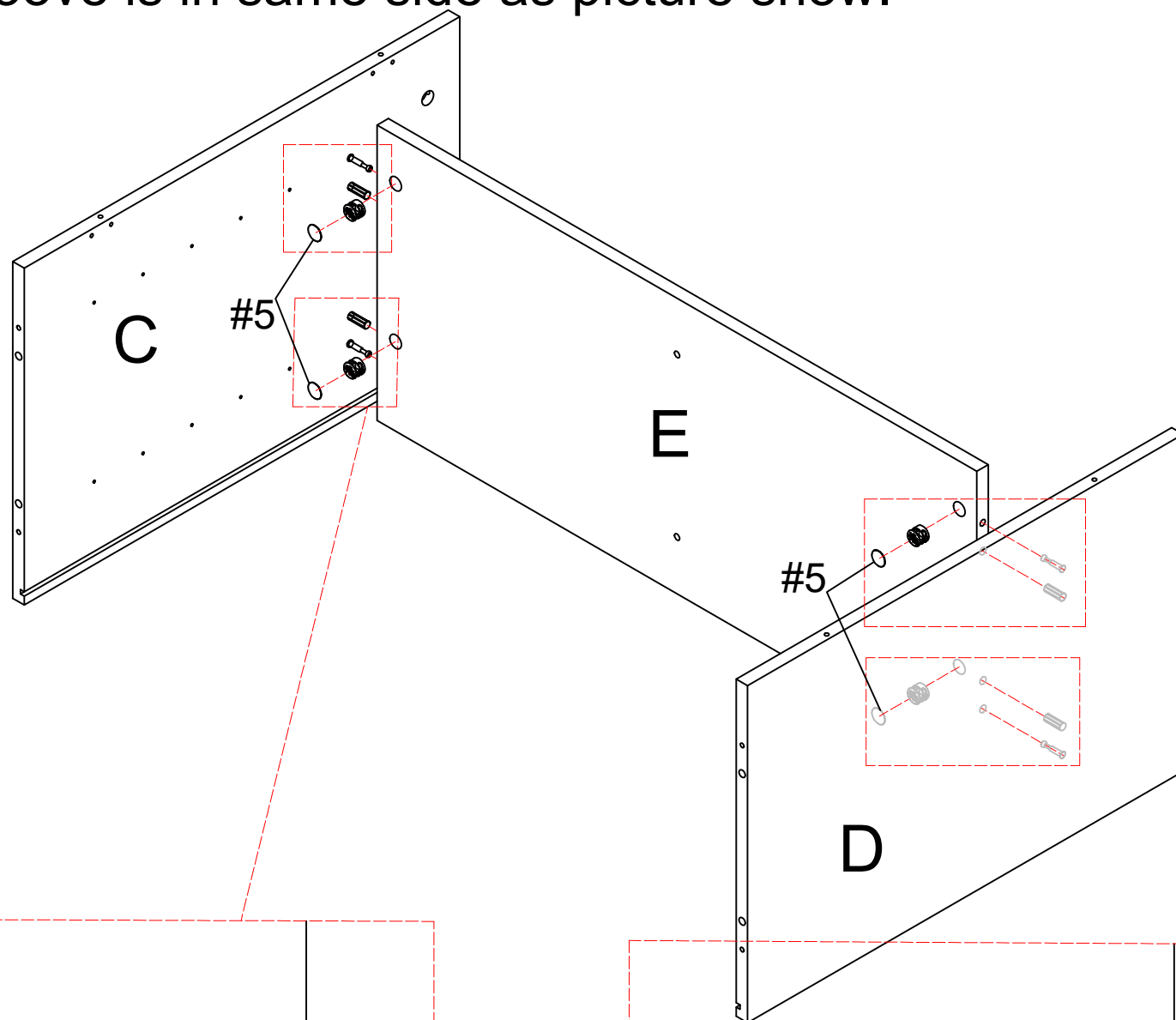


#19	x1	#3	x4	#7	x4
					
				Ø8*30mm	

ASSEMBLY INSTRUCTIONS

STEP-6

Connect the part E with part C&D align the hole in the part E,insert the bolt #3 in part C&D into part E. insert cam bolt #4 into the corresponding hole of panel E ,and tighten the nuts #4 with a screwdriver #19. After installation, cover the screw holes with #5. Make sure the groove is in same side as picture show.

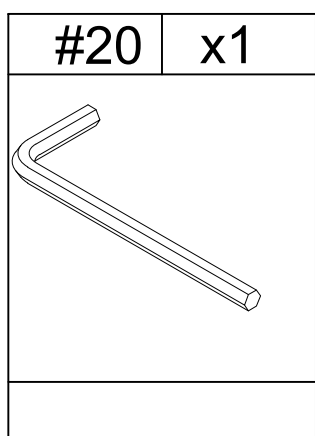
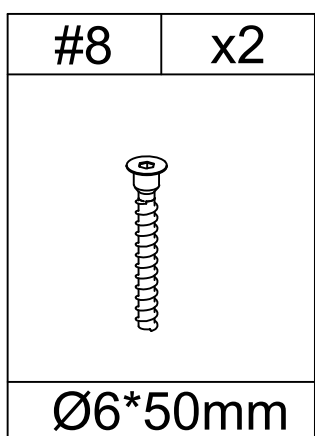
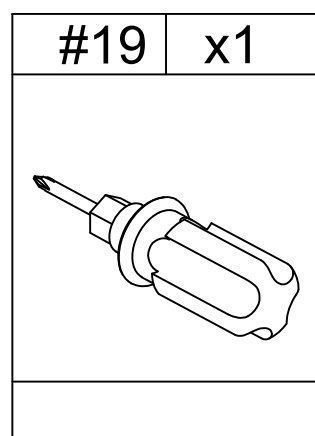
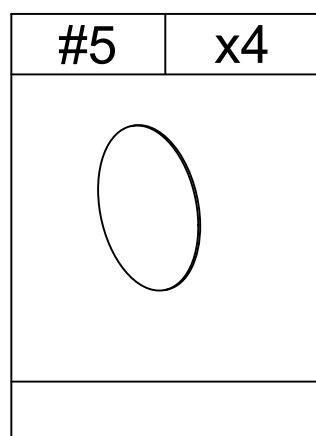
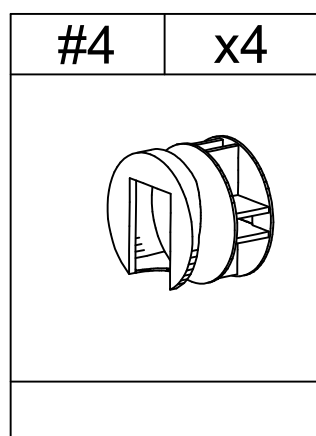
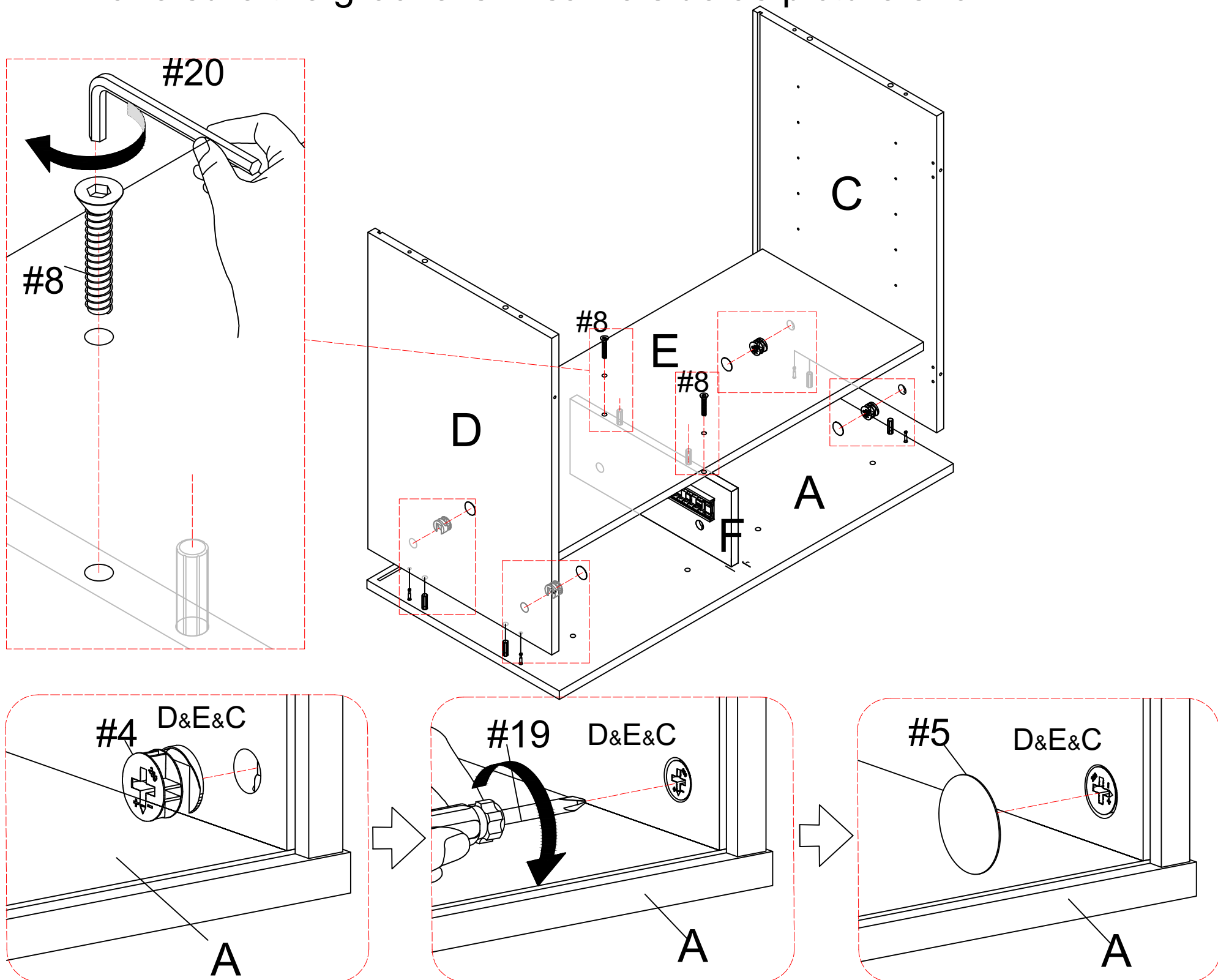


ASSEMBLY INSTRUCTIONS

STEP-7

Connect the part A the pre-assembled unit in step 5.

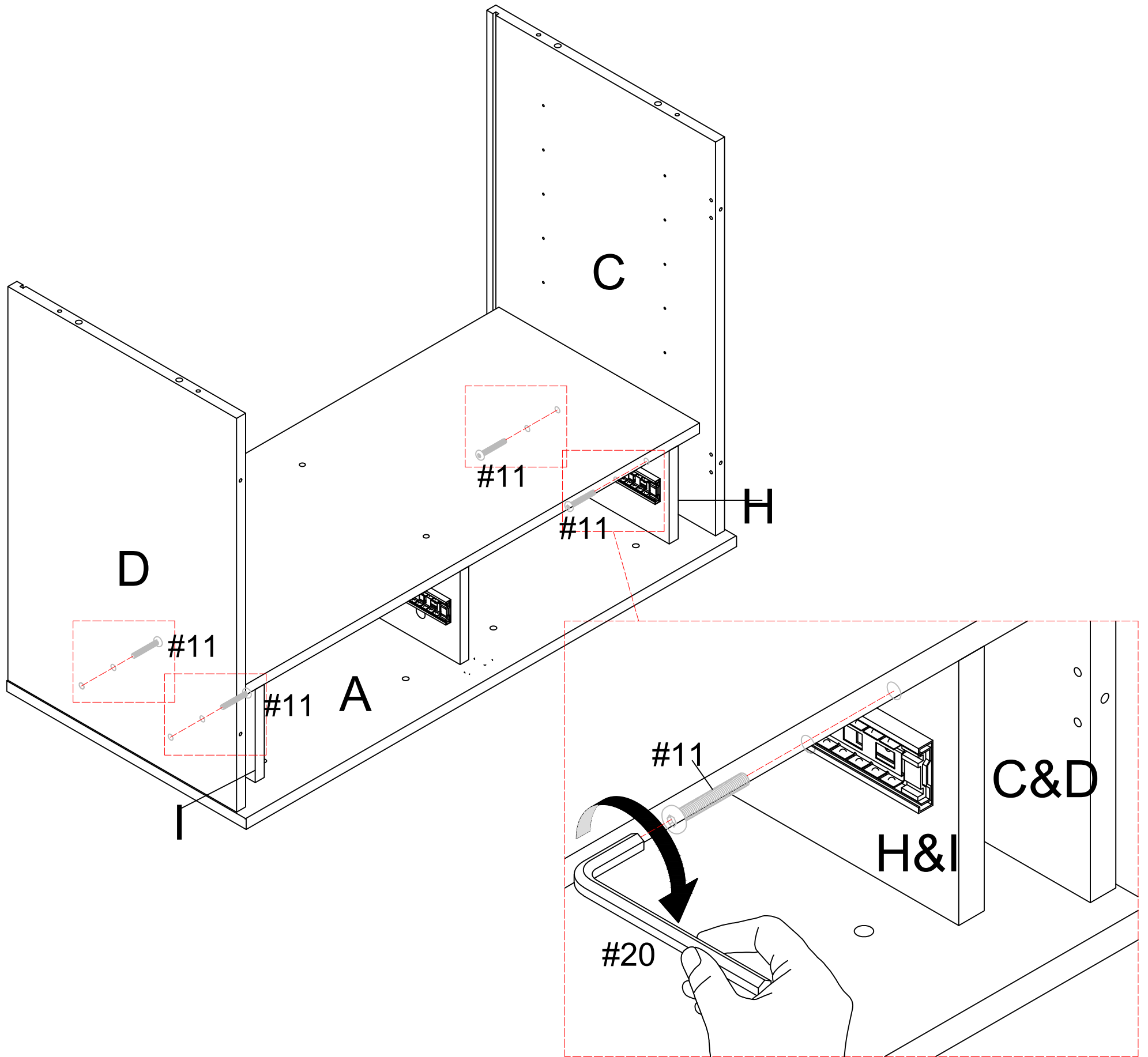
Then align the holes in part E, Insert screw #8 and push it down so that it connects to part A&F. Next, and tighten the screw #8 with an Allen key #20. insert the bolt #3 in part A into part C&D. insert cam bolt #4 into the corresponding hole of panel C&D, and tighten the nuts #4 with a screwdriver #19. After installation, cover the screw holes with #5. Make sure the groove is in same side as picture show.

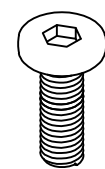
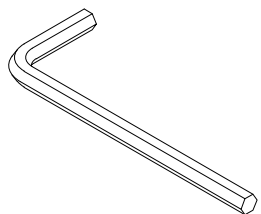


ASSEMBLY INSTRUCTIONS

STEP-8

Use screw 11 to install part H to plate C and part I to plate D. and tighten the screw #11 with an Allen key #20.

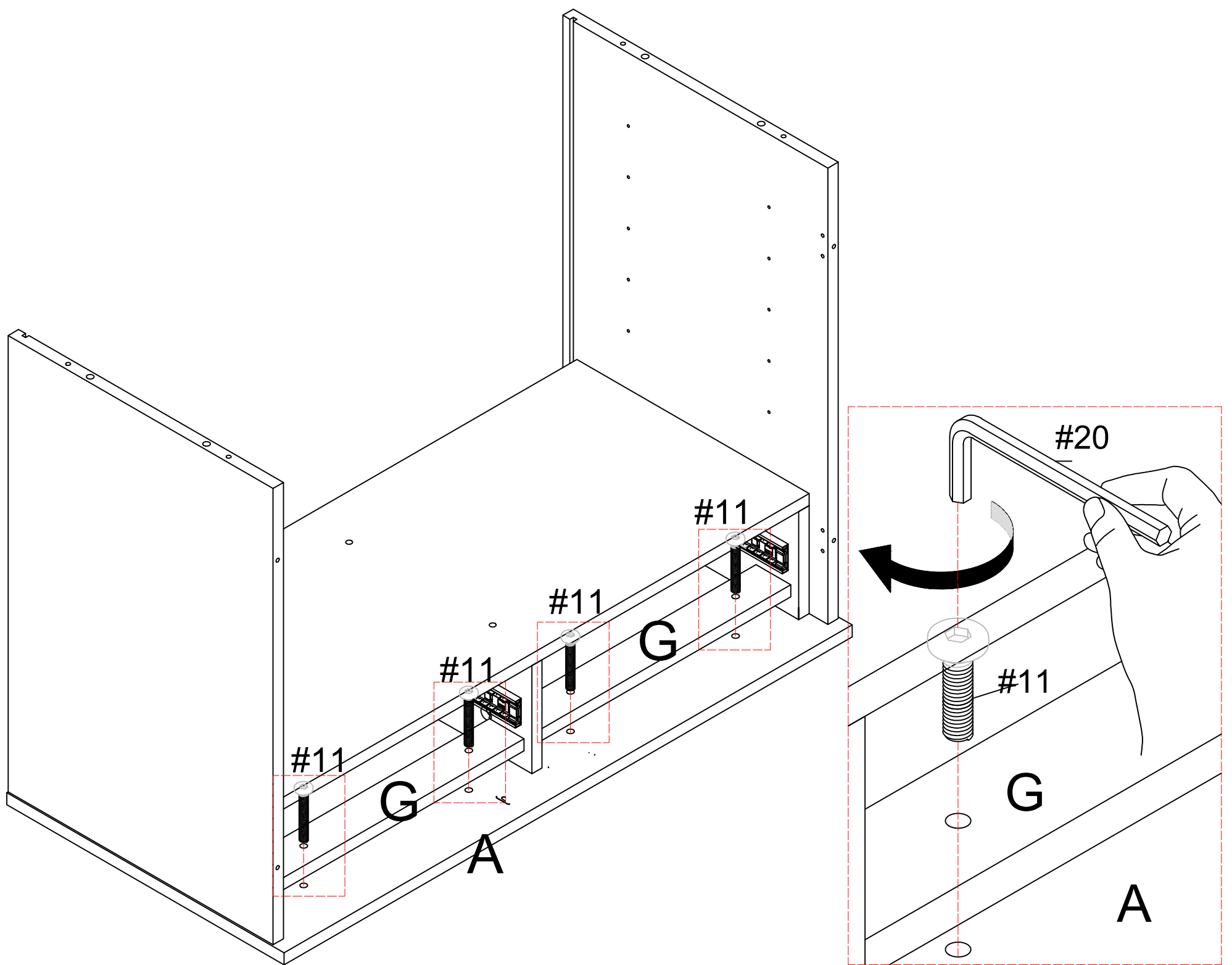


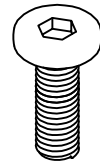
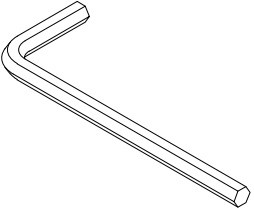
#11	x4	#20	x1
			
Ø6*20mm			

ASSEMBLY INSTRUCTIONS

STEP-9

Use screw 11 to install part G to plate A .and tighten the screw #11 with an Allen key #20.

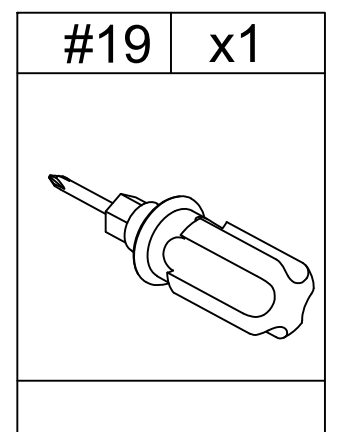
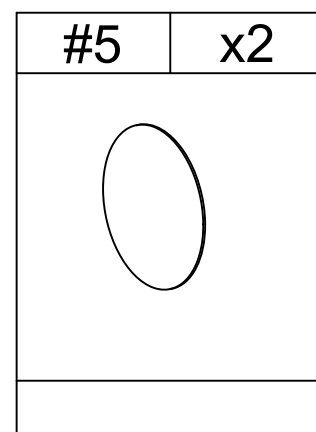
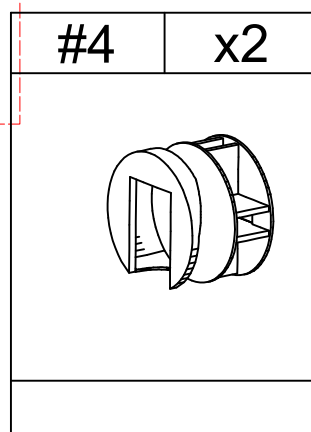
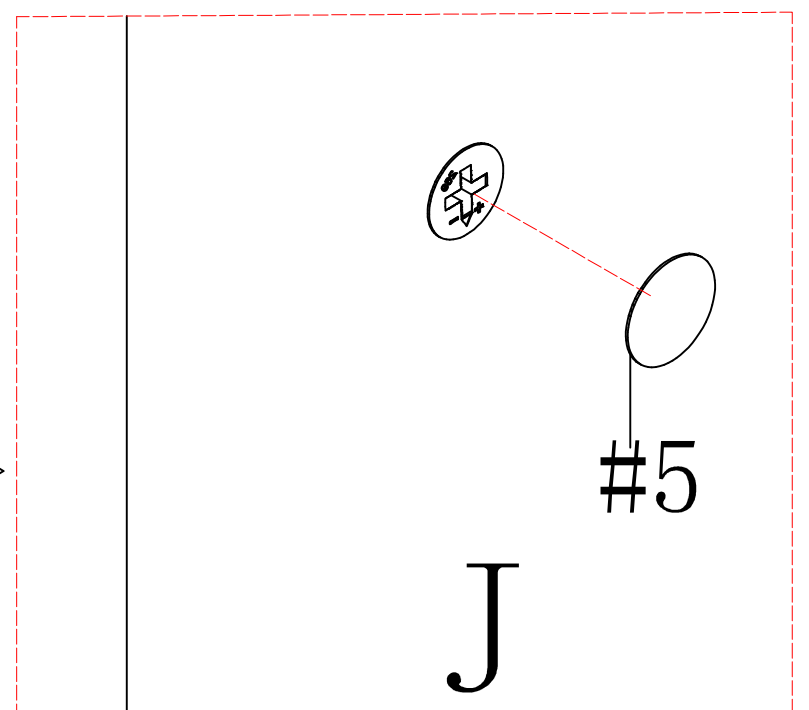
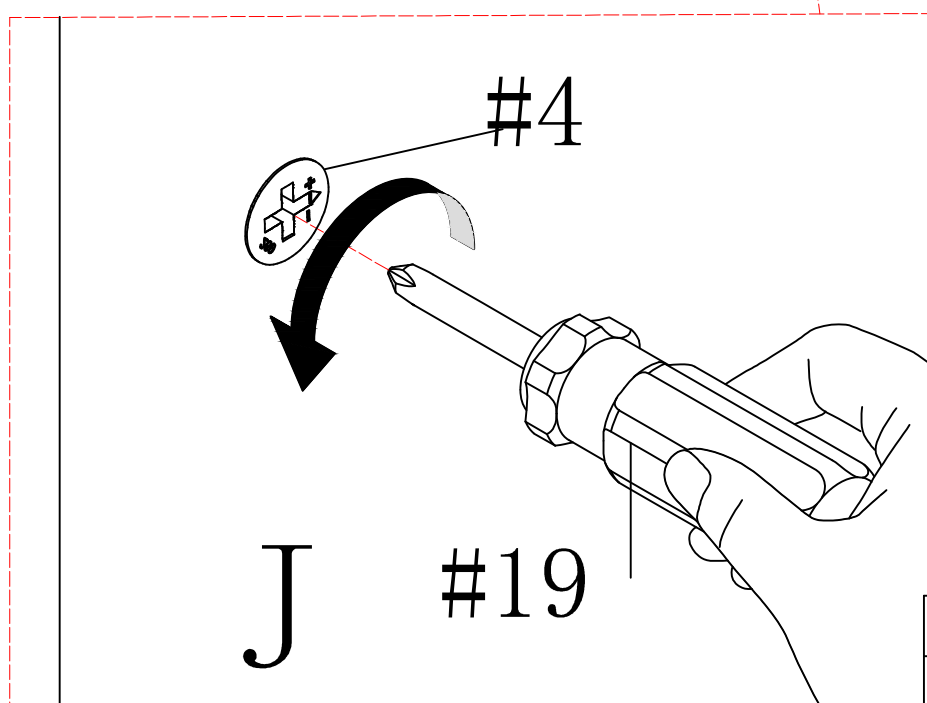
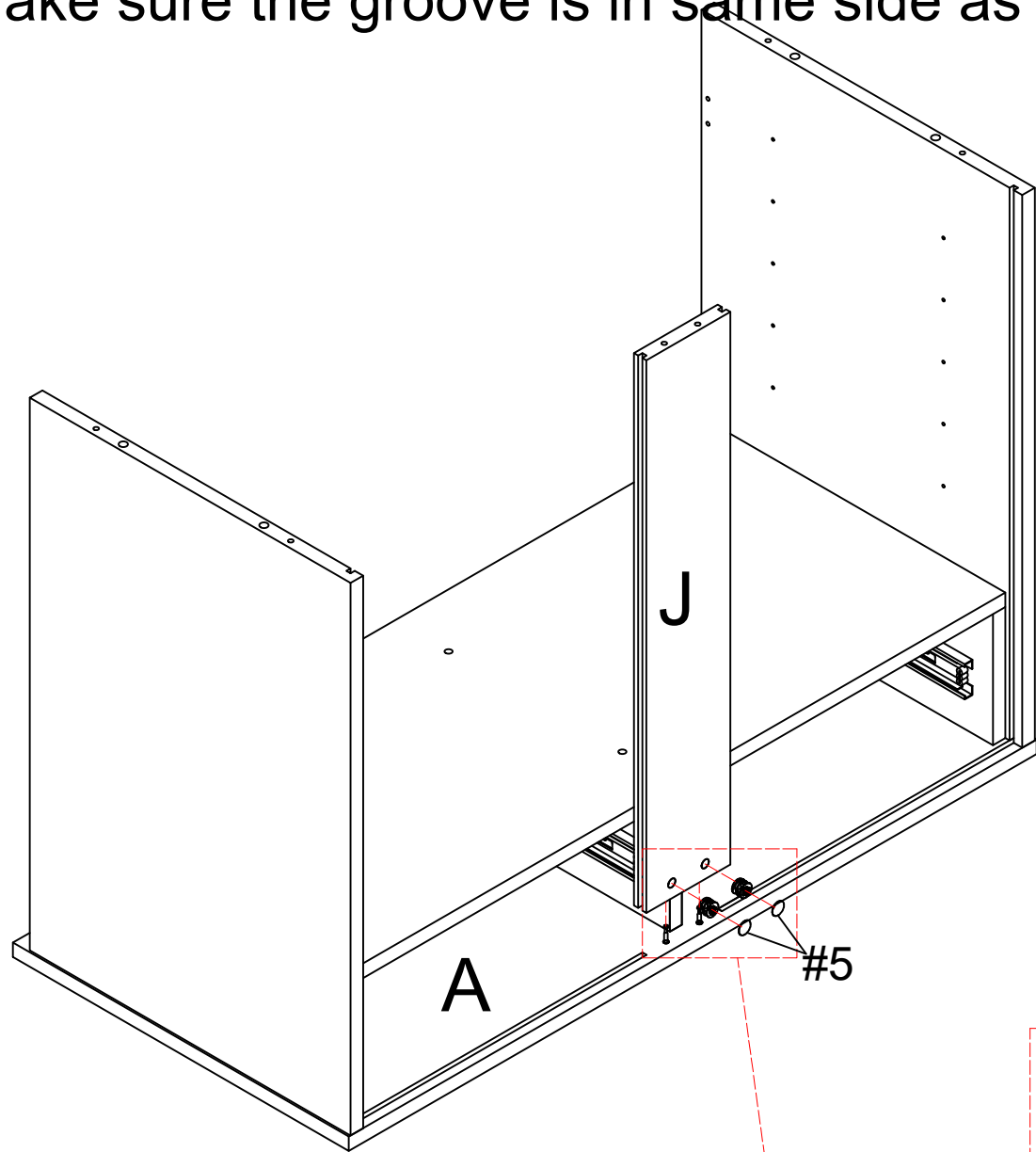


#11	x4	#20	x1
			
Ø6*20mm			

ASSEMBLY INSTRUCTIONS

STEP-10

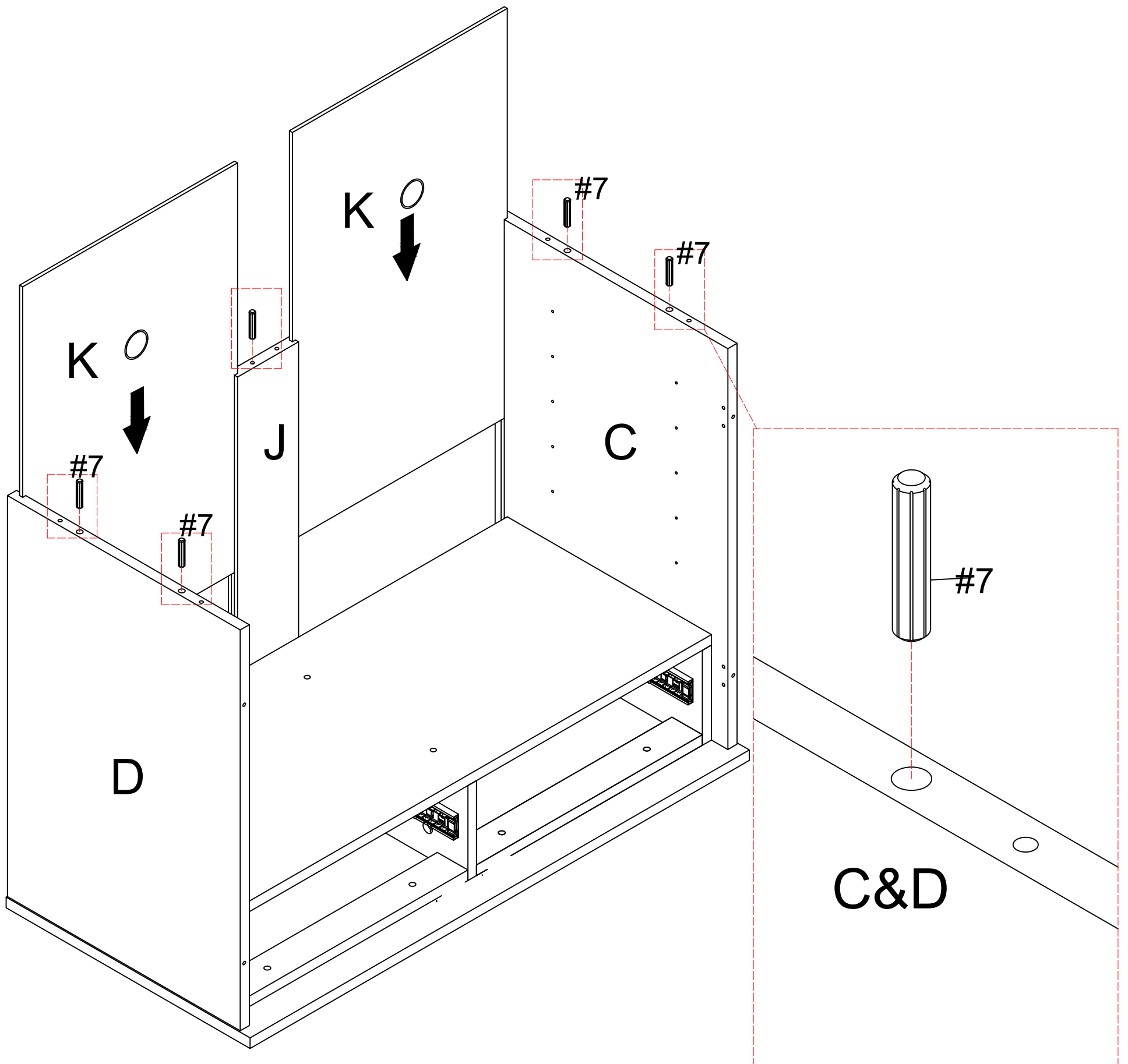
Connect the part J with part A align the hole in the part J,insert the bolt #3 in part A into part J . insert cam bolt #4 into the corresponding hole of panel J ,and tighten the nuts #4 with a screwdriver #19. After installation, cover the screw holes with #5. Make sure the groove is in same side as picture show.




ASSEMBLY INSTRUCTIONS

STEP-11

Manually insert #7 wooden dowels (C&D&J), slide in the part K into the groove in part D,J and J,C. make sure they are also in groove in part A.

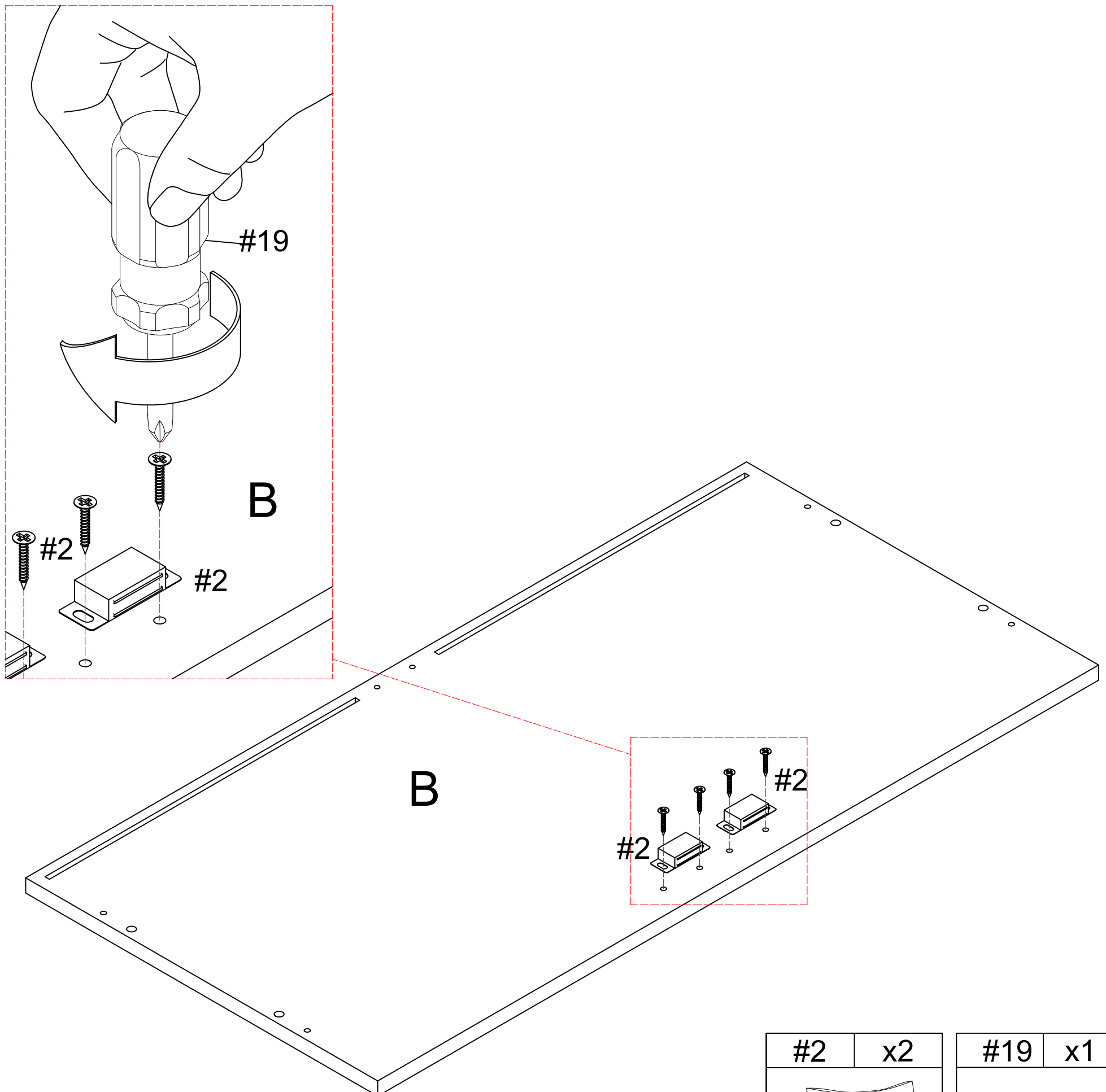


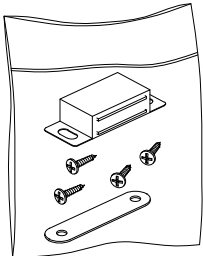
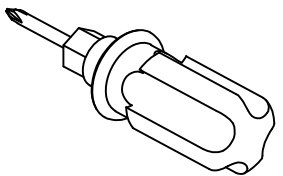
#7	x5
	

ASSEMBLY INSTRUCTIONS

STEP-12

Use bolt #2 to attach Magnetic device #2 to top panel (B), tighten bolts with screwdriver #19.



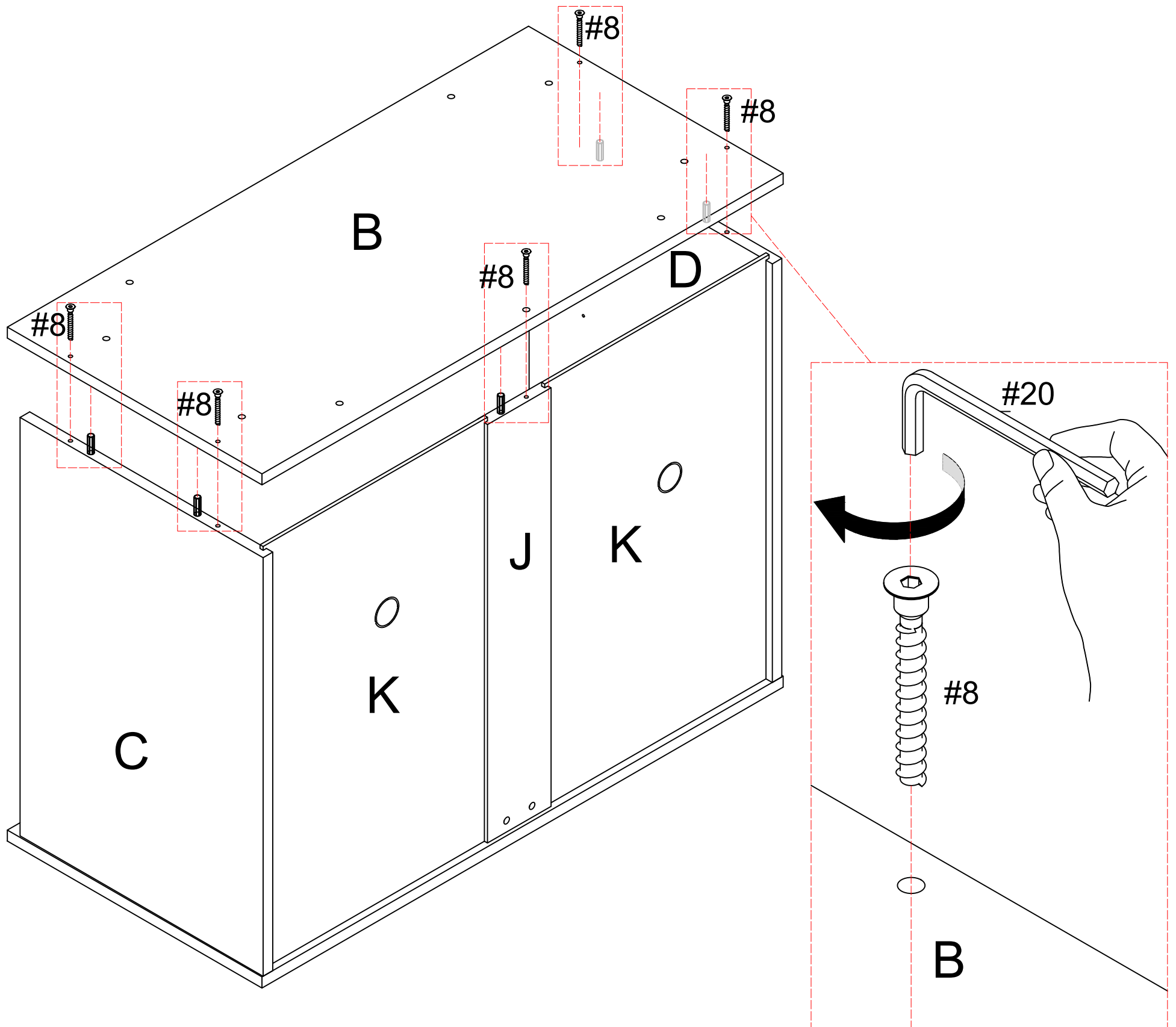
#2	x2	#19	x1
			


ASSEMBLY INSTRUCTIONS

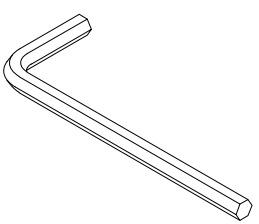
STEP-13

Connect the part B the pre-assembled unit in step 10.

Then align the holes in part B, Insert screw #8 and push it down so that it connects to parts C&D&J&K. Next, and tighten the screw #8 with an Allen key #20.



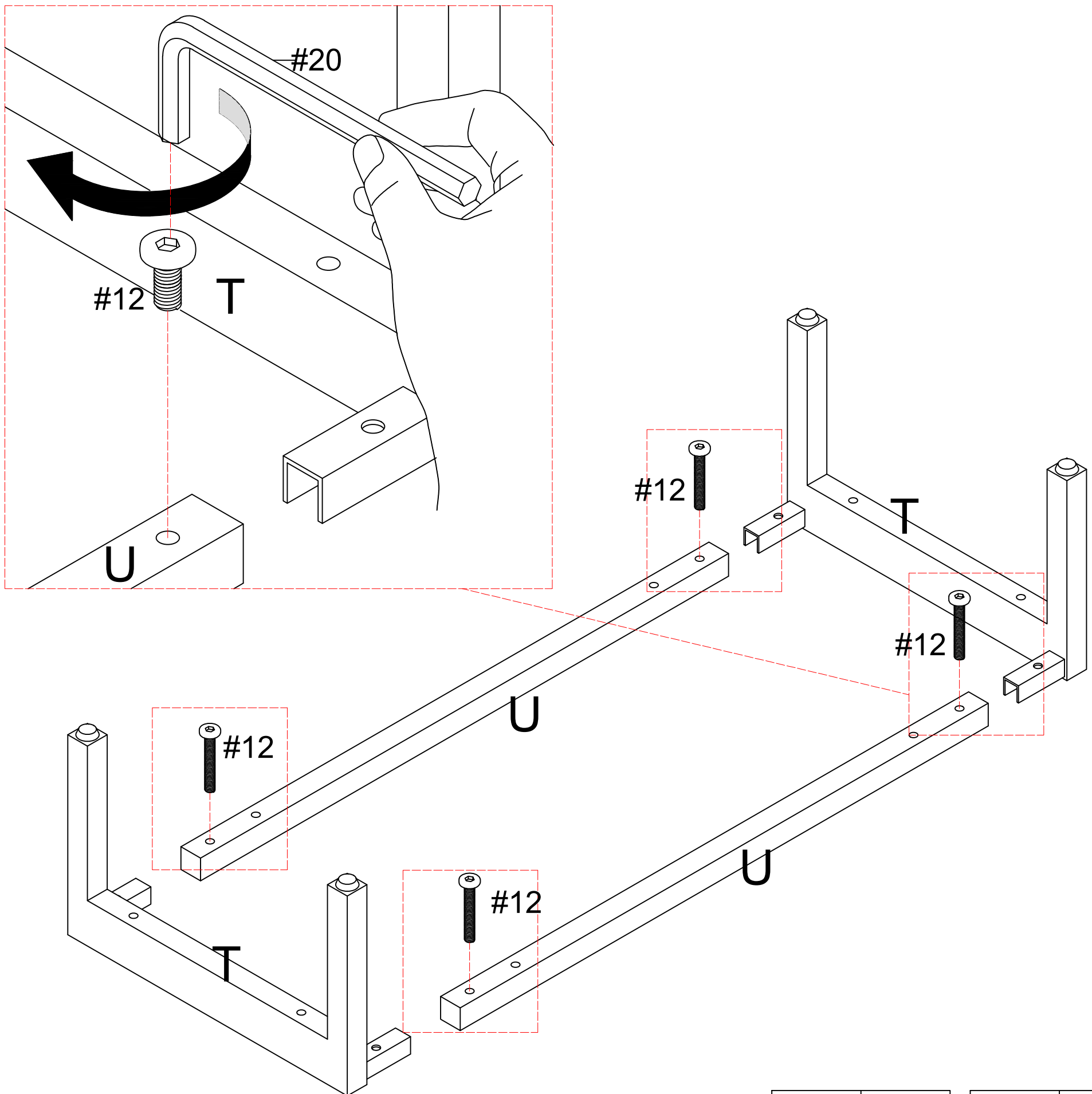
#8	x5
	

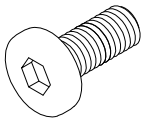
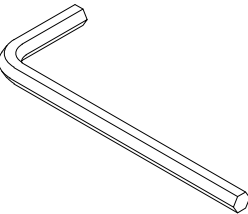
#20	x1
	

ASSEMBLY INSTRUCTIONS

STEP-14

Prepare the leg racks. Align the holes of the U part with the holes of the T part, insert the screw #12, and tighten the screw #12 with the allen key #20.

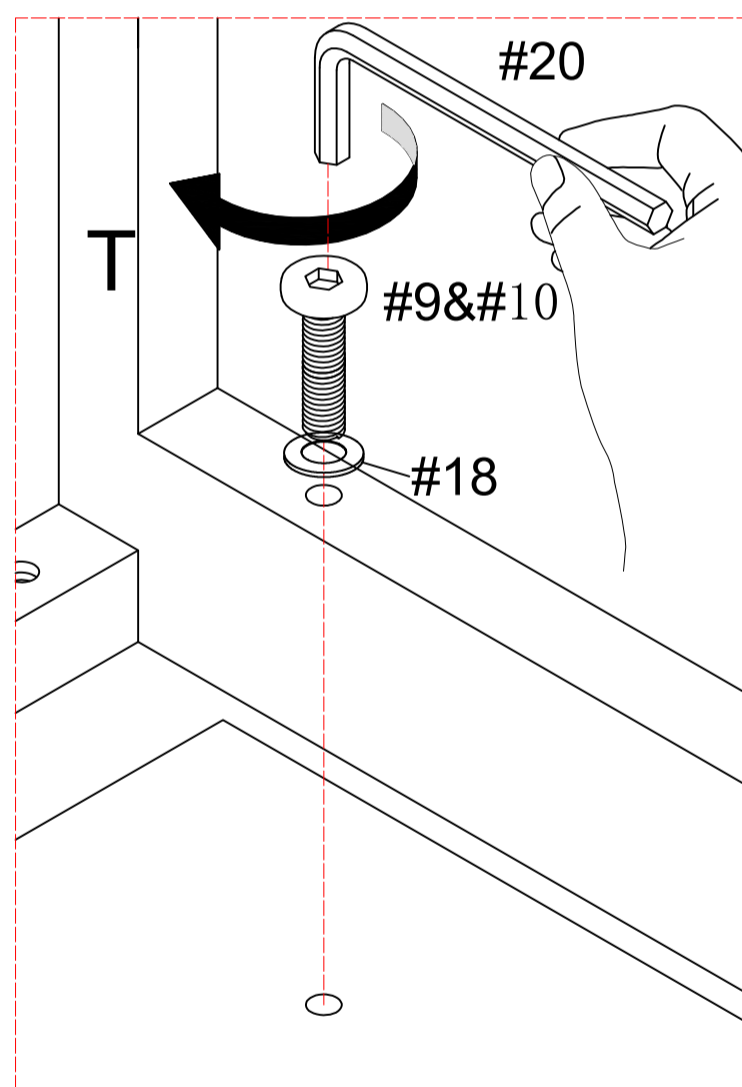
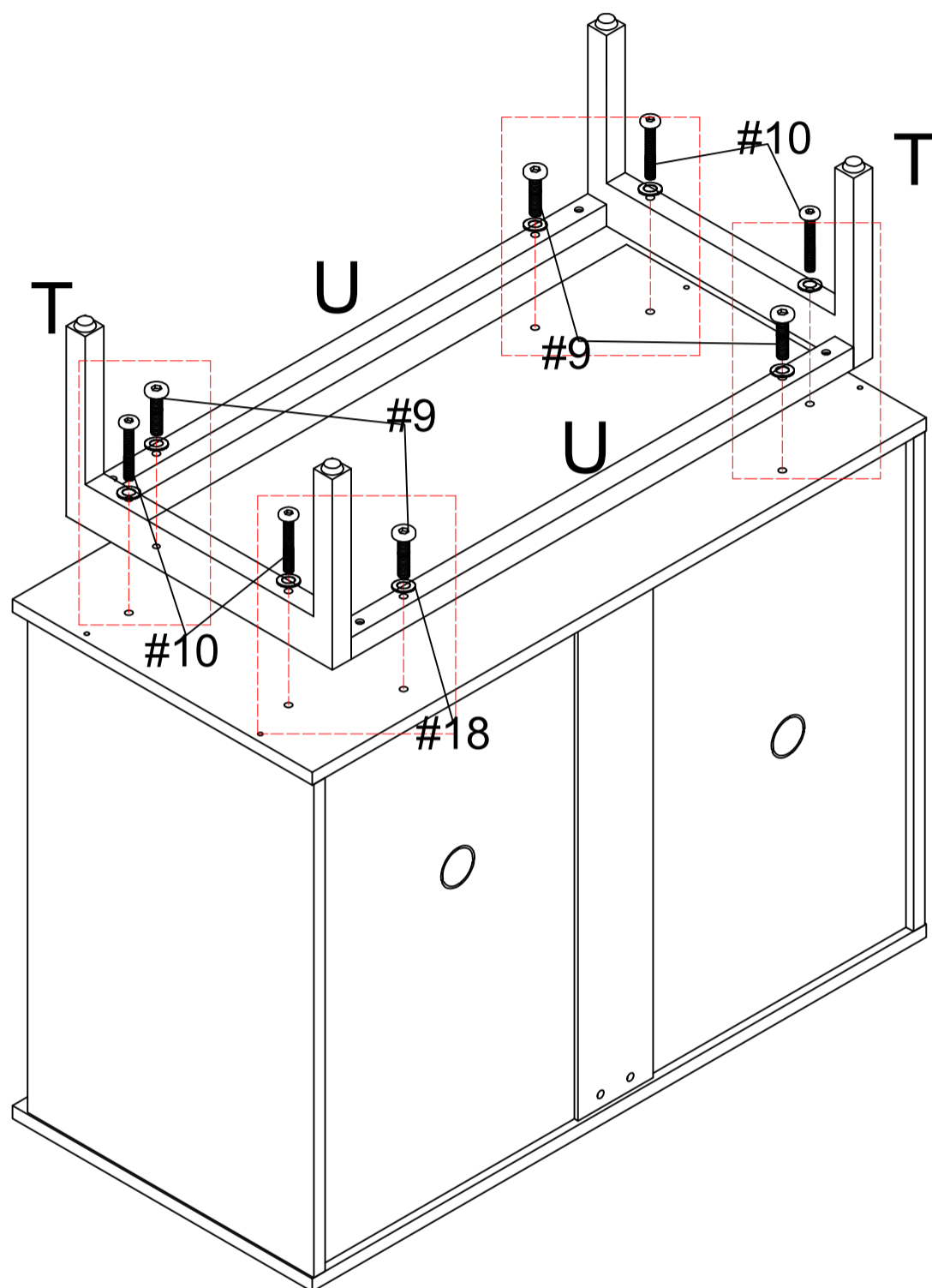



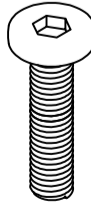
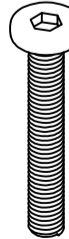
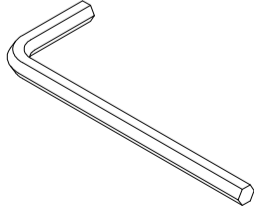
#12	x4	#20	x1
			
Ø6*12mm			

ASSEMBLY INSTRUCTIONS

STEP-15

connect the leg frame to the cabinet. Attach the leg frame to the pre-assembled unit in step 12 with a screw #9
 and tighten #10	 with a allen key #20.

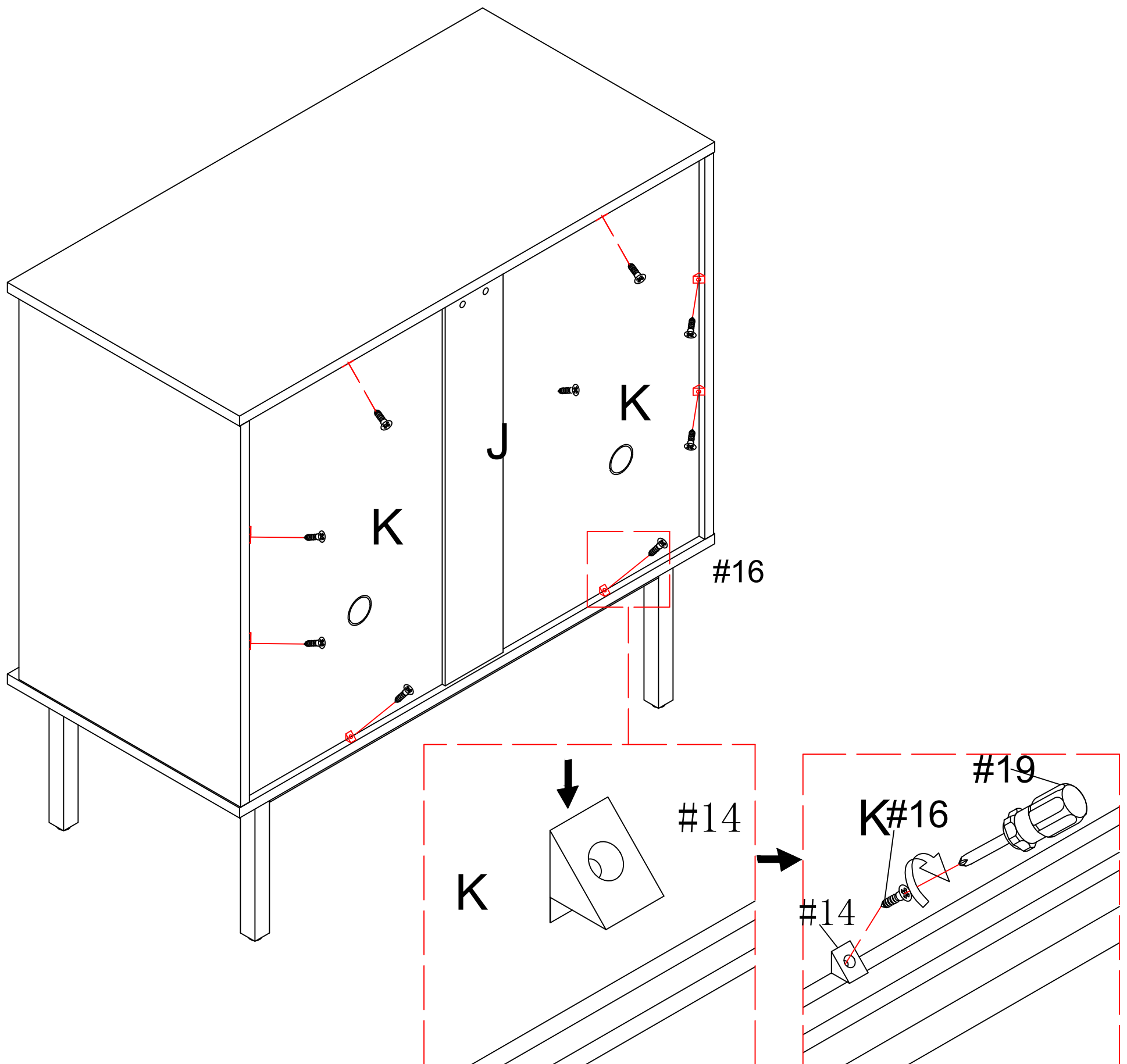


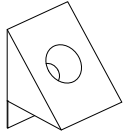
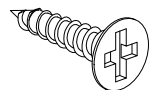
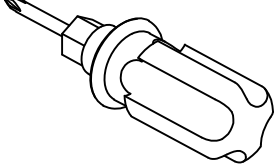
#18	x8	#9	x4	#10	x4	#20	x1
							
		Ø6*35mm		Ø6*50mm			

ASSEMBLY INSTRUCTIONS

STEP-16

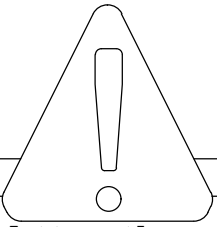
Insert hardware #14 into part (K) as shown, screw in screw #16 using screwdriver #19 and tighten fully.



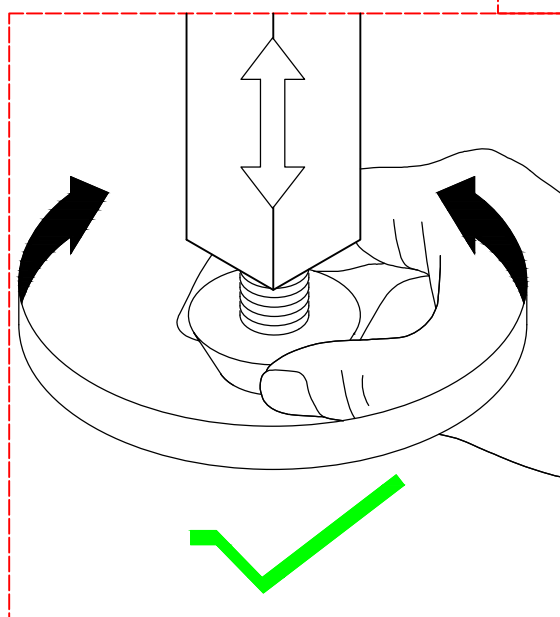
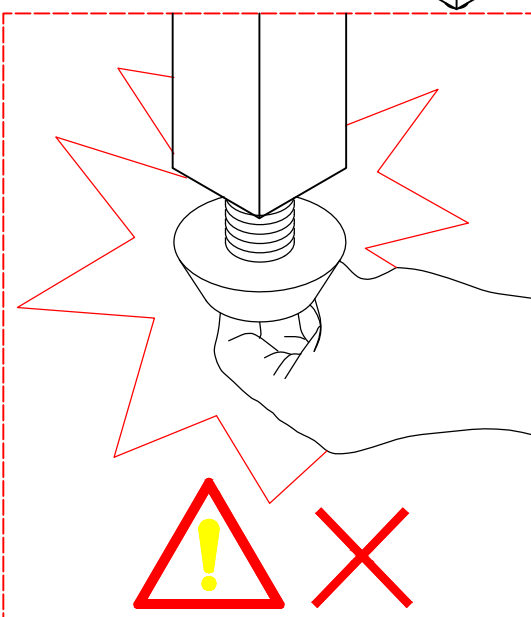
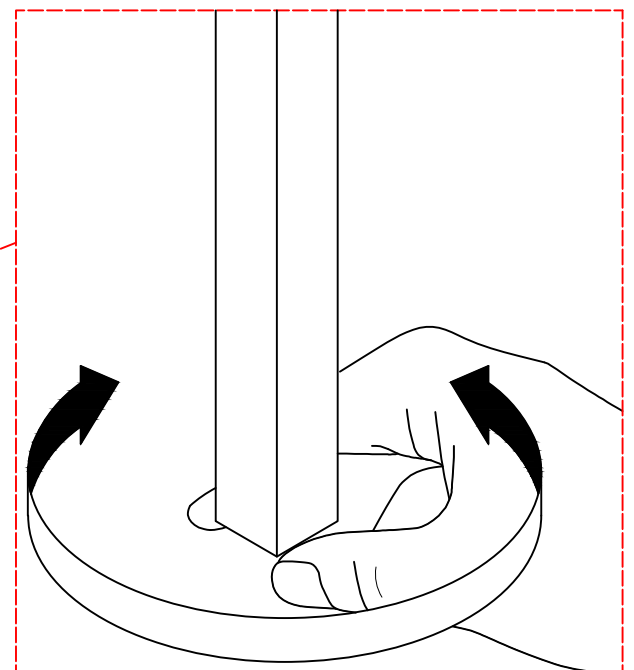
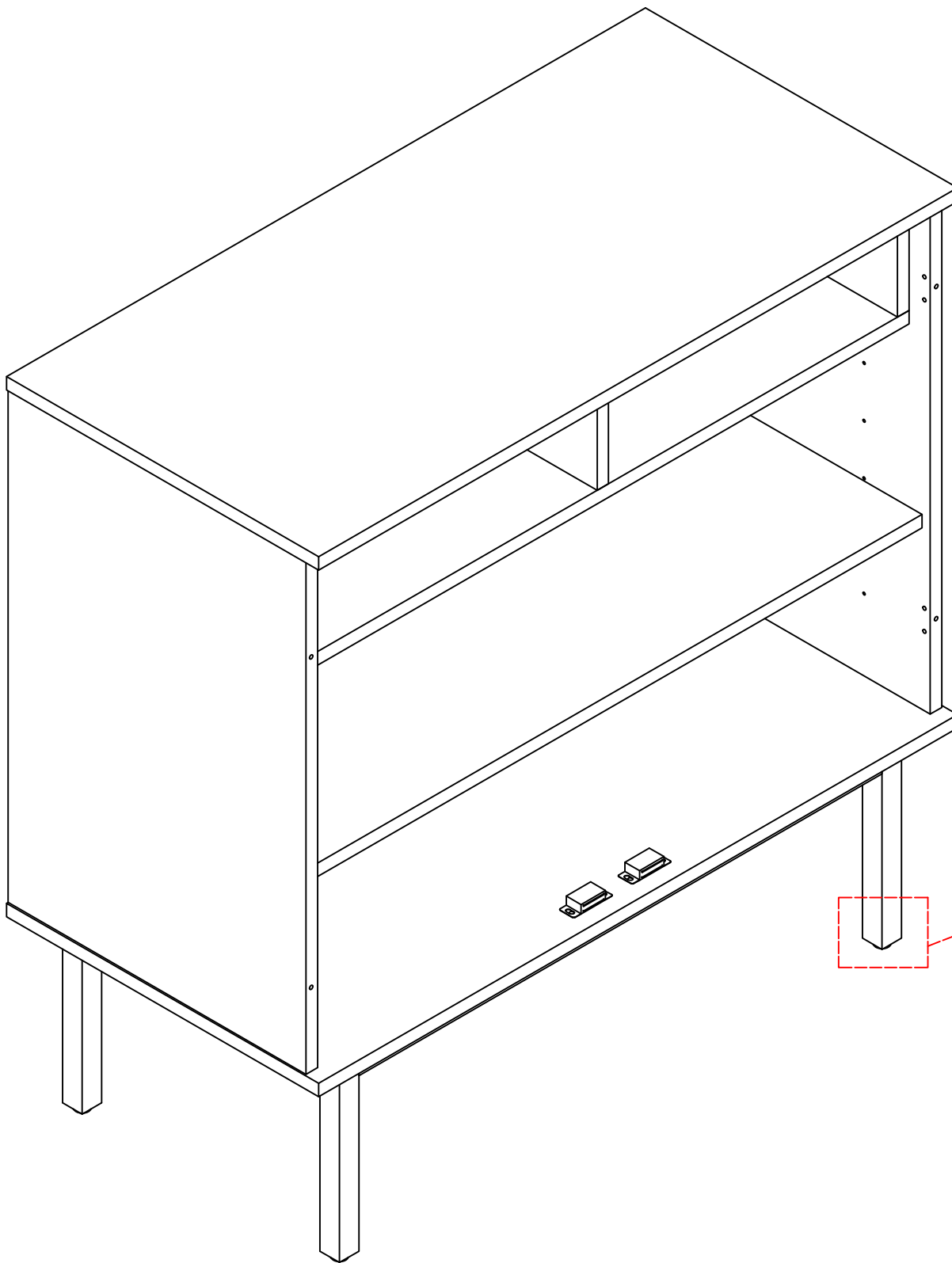
#14	x8	#16	x12	#19	x1
					
		Ø3.5*14mm			

ASSEMBLY INSTRUCTIONS

STEP-17



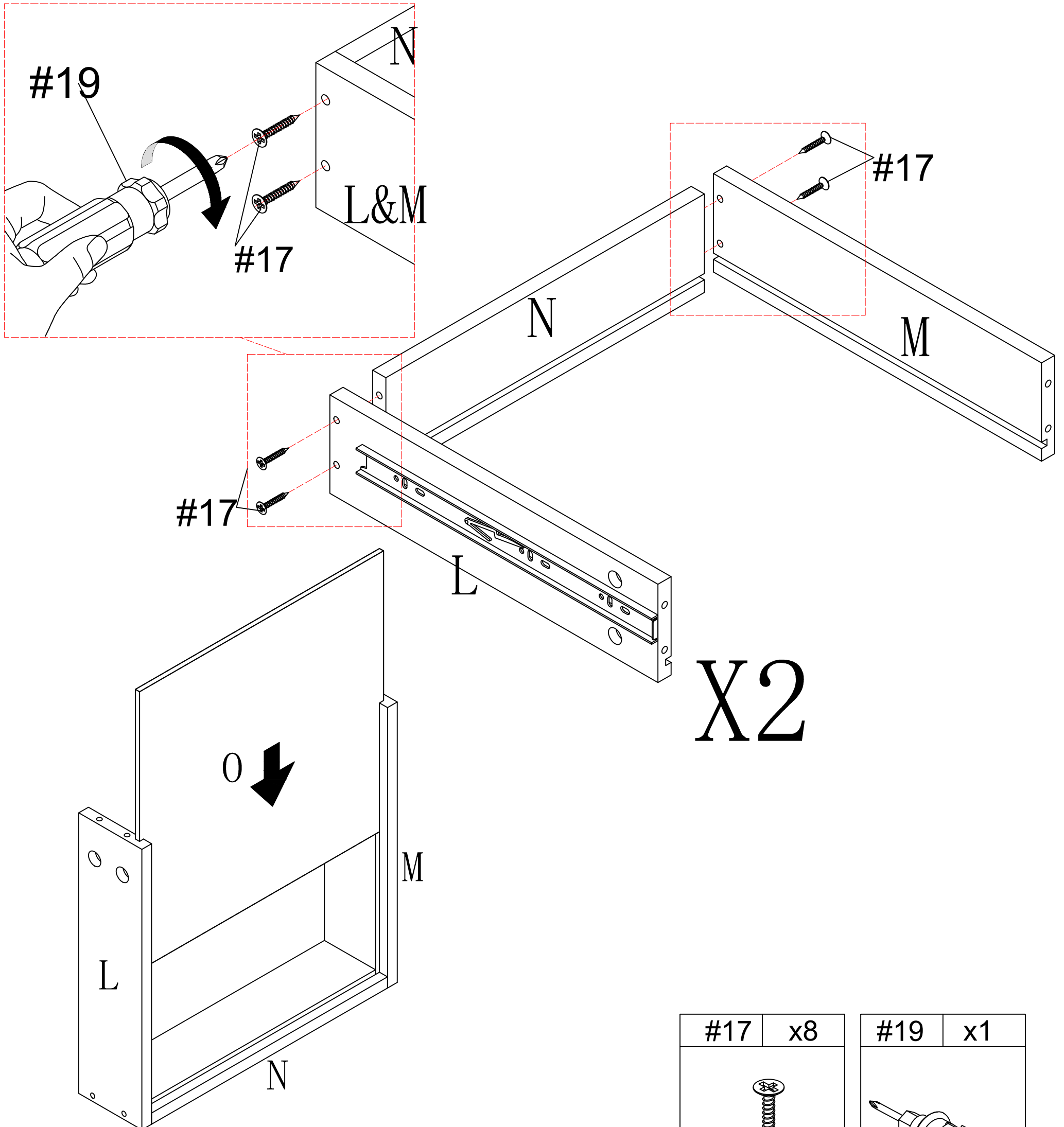
Attention:
Before the next step, adjust
the feet of the locker to keep
it level.


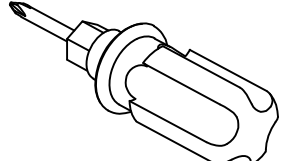


ASSEMBLY INSTRUCTIONS

STEP-18

1. Connect part (L&M) to part N using screw #17 and tighten it with screwdriver #19. Slide in the part (O) into the groove in part (L&M). make sure they are also in groove in part (N).

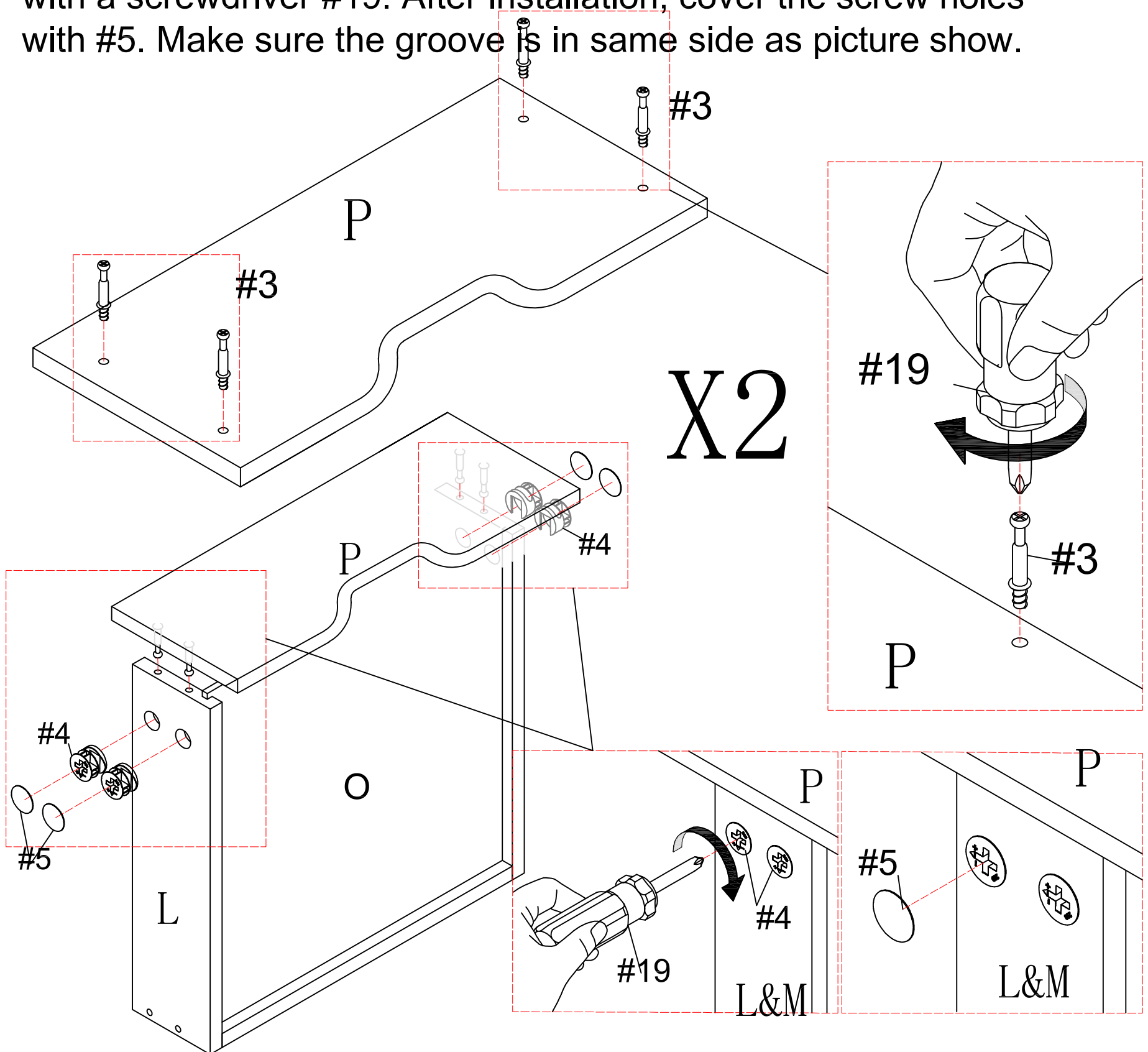


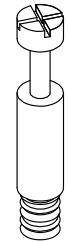
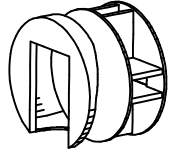
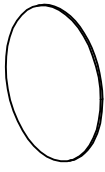
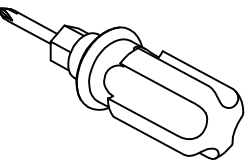
#17	x8	#19	x1
			
Ø3.5*30mm			

ASSEMBLY INSTRUCTIONS

STEP-19

Align the holes in part P, tighten with screwdriver #19 tighten #3. Connect the part P with part L&M align the hole in the part L&M, insert the bolt #3 in part P into part L&M. insert cam bolt #4 into the corresponding hole of side panel L&M, and tighten the nuts #4 with a screwdriver #19. After installation, cover the screw holes with #5. Make sure the groove is in same side as picture show.



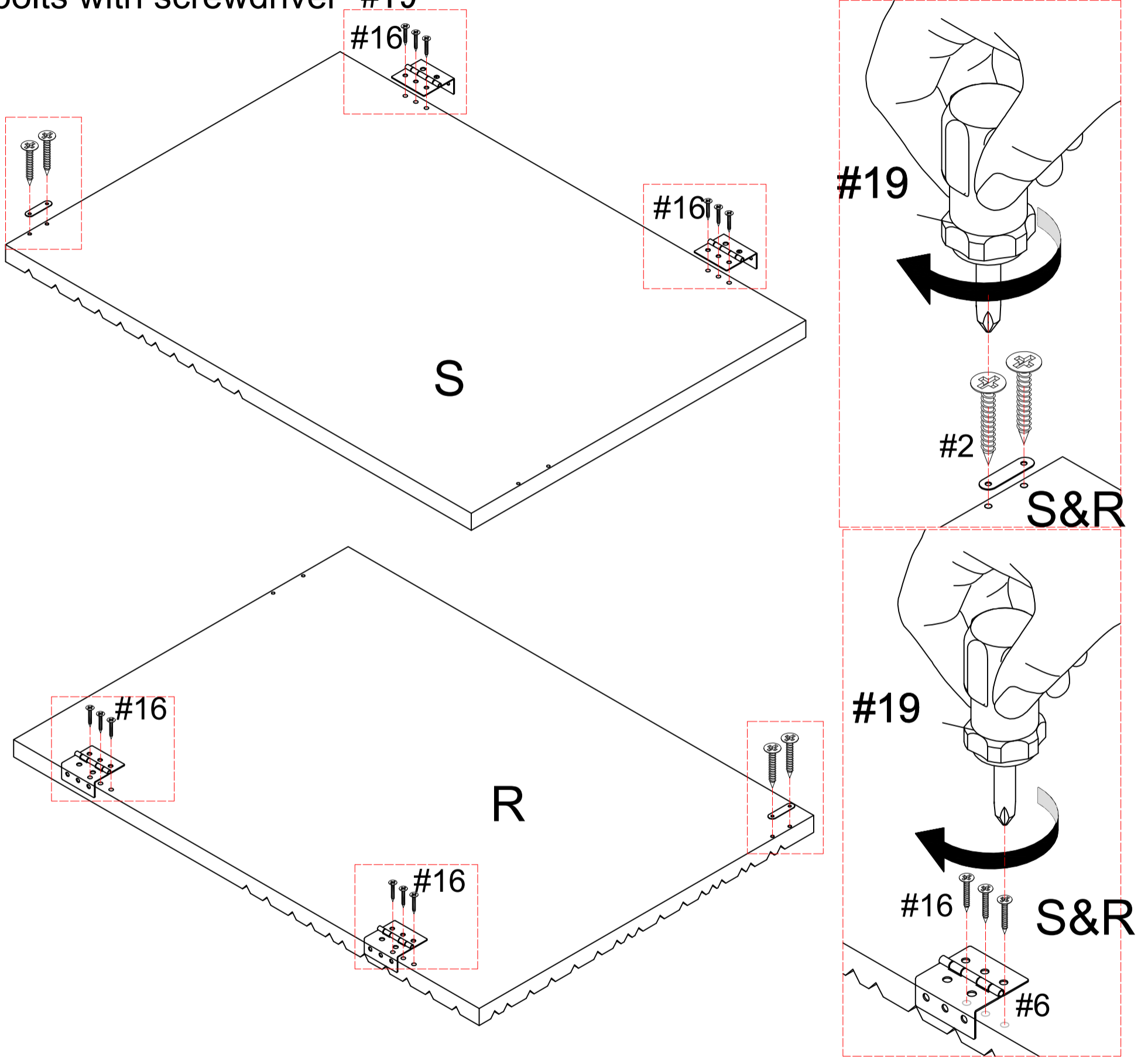
#3	x8	#4	x8	#5	x8	#19	x1
							

ASSEMBLY INSTRUCTIONS

STEP-17

1. Use screw #16 to attach the hinges #6 to door panel (S&R), tighten screws #16 with screwdriver #19.

Use bolt #2 to attach Magnetic device #2 to door S&R, tighten bolts with screwdriver #19



#6	x4

#2	x2

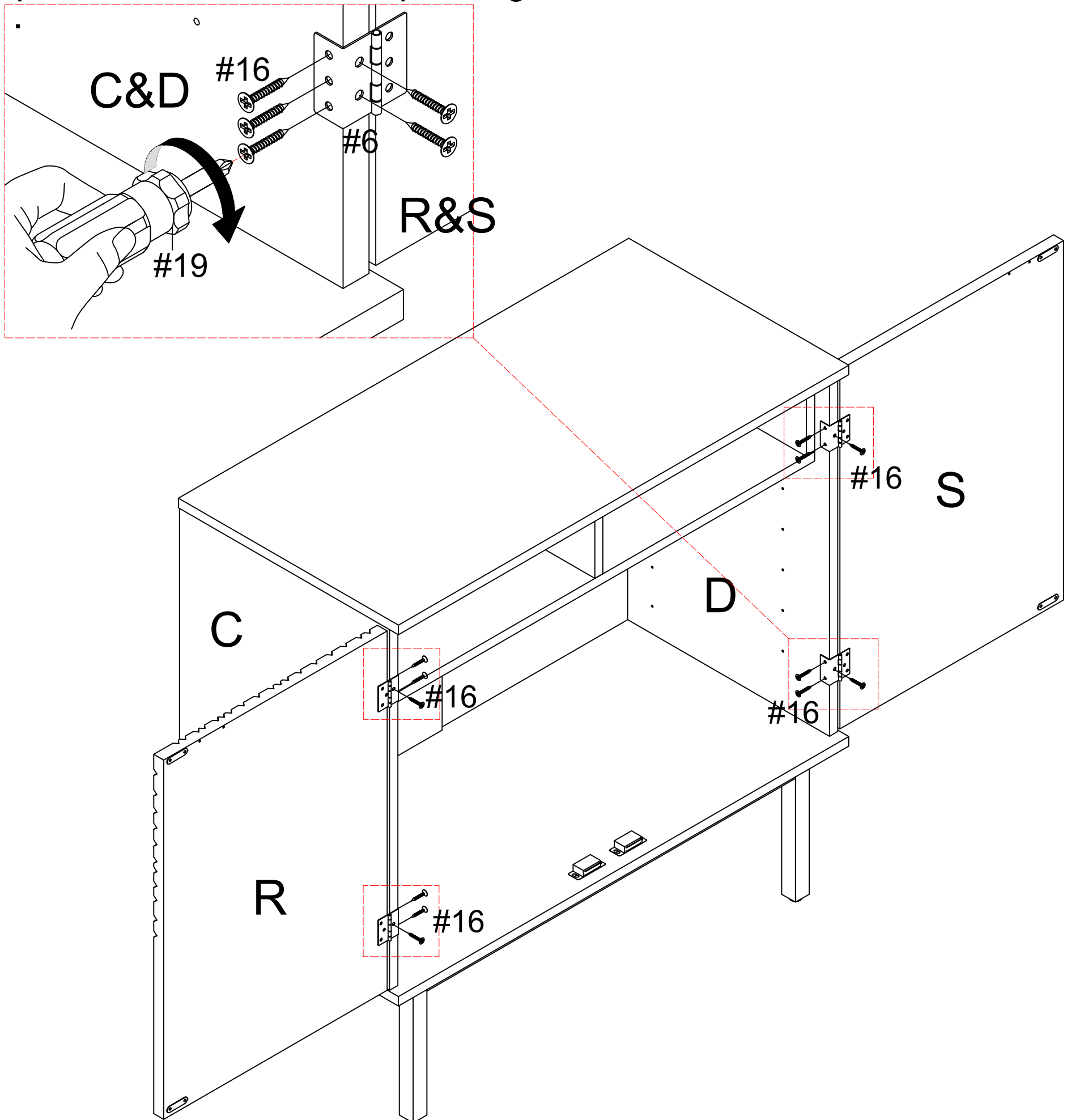
#16	x12
$\text{Ø}3.5 \times 14\text{mm}$	

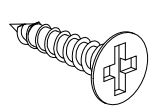
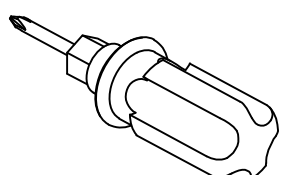
#19	x1

ASSEMBLY INSTRUCTIONS

STEP-21

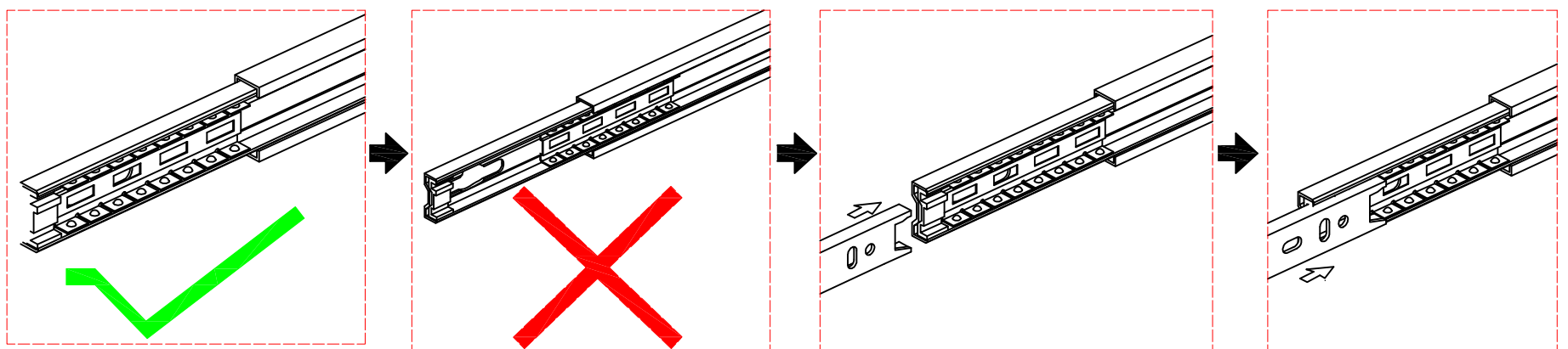
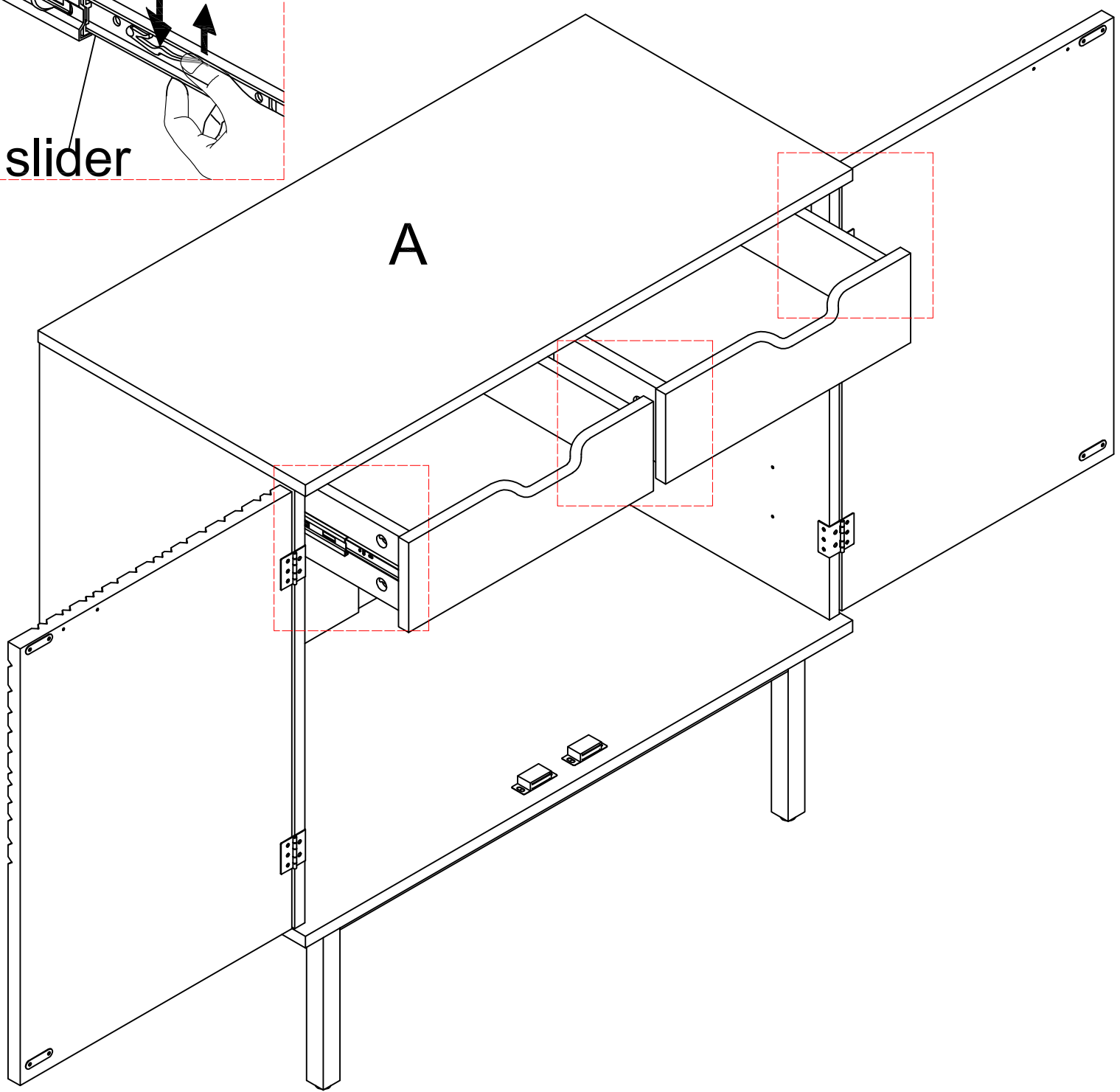
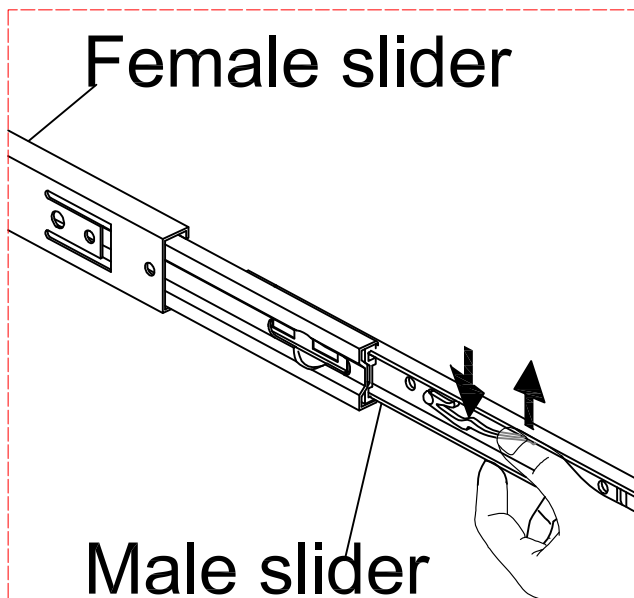
Use screw #16 to attach left door (R) and right door (S) to pre-assemble unit at step 13 ,tighten screw #16 with screwdriver #19



#16	x12	#19	x1
			
Ø3.5*14mm			

ASSEMBLY INSTRUCTIONS

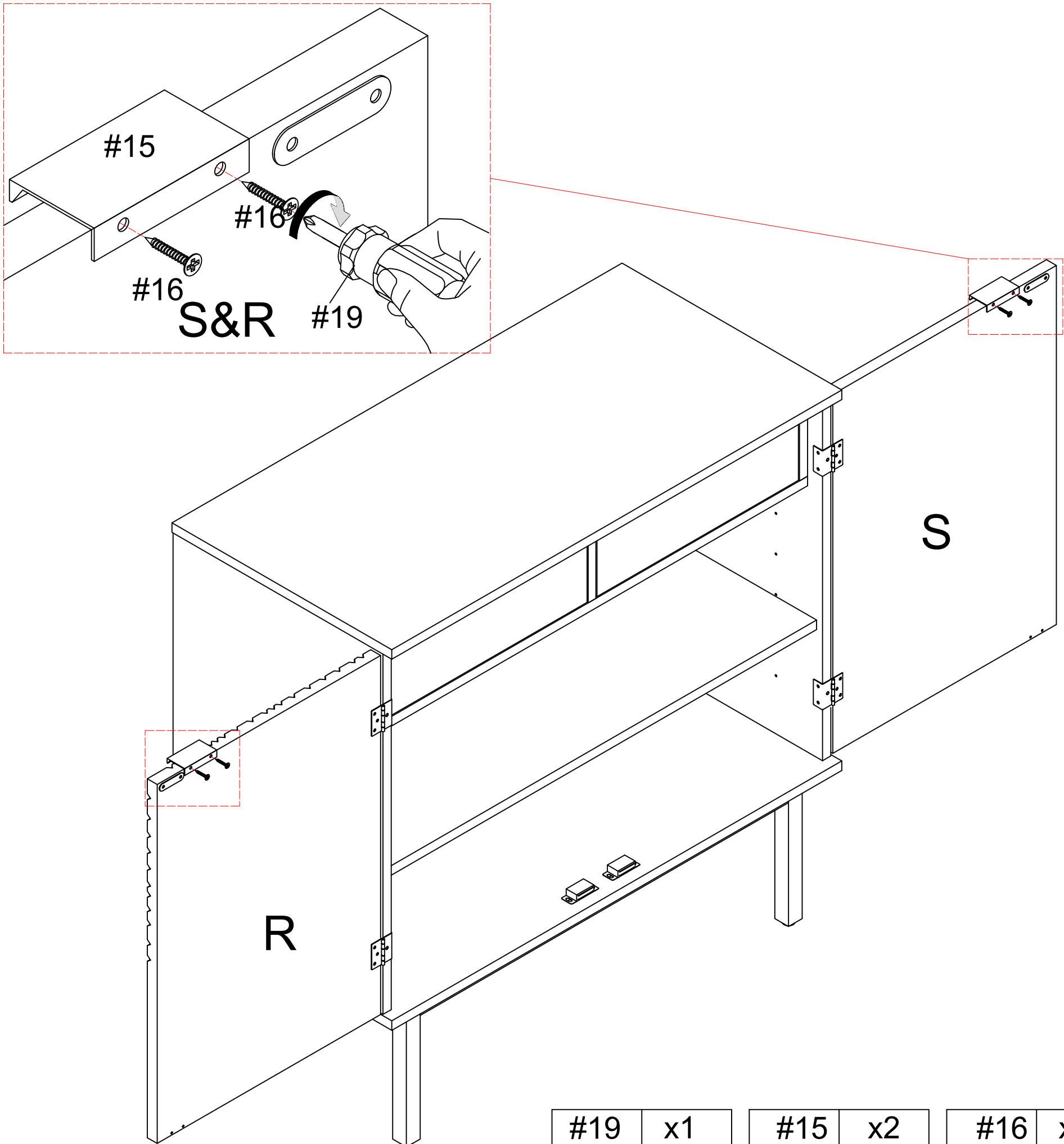
STEP-22

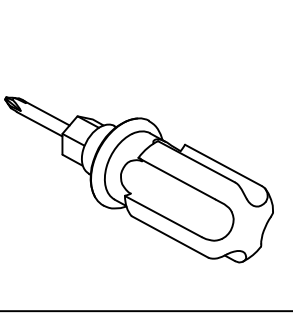
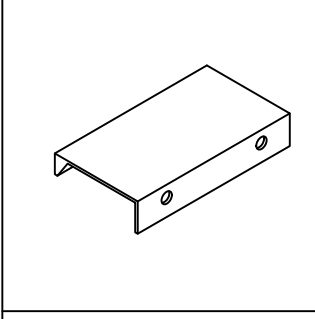
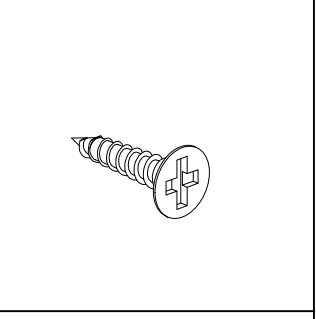


ASSEMBLY INSTRUCTIONS

STEP-23

1. Use bolt #16 to attach handle #15 to door panel (S&R), tighten bolts #16 with screwdriver #19.

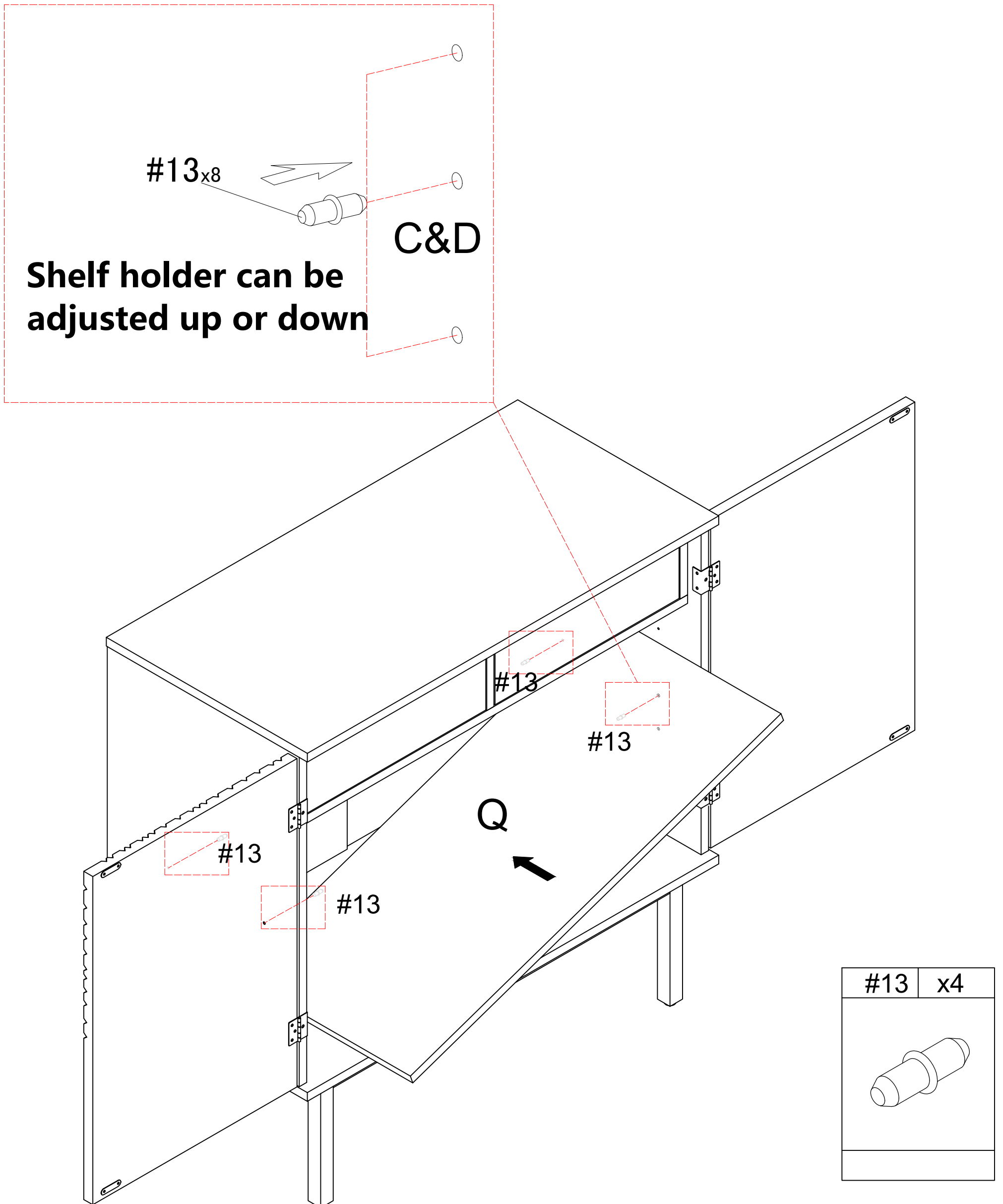


#19	x1	#15	x2	#16	x4
					
				Ø3.5*14mm	

ASSEMBLY INSTRUCTIONS

STEP-24

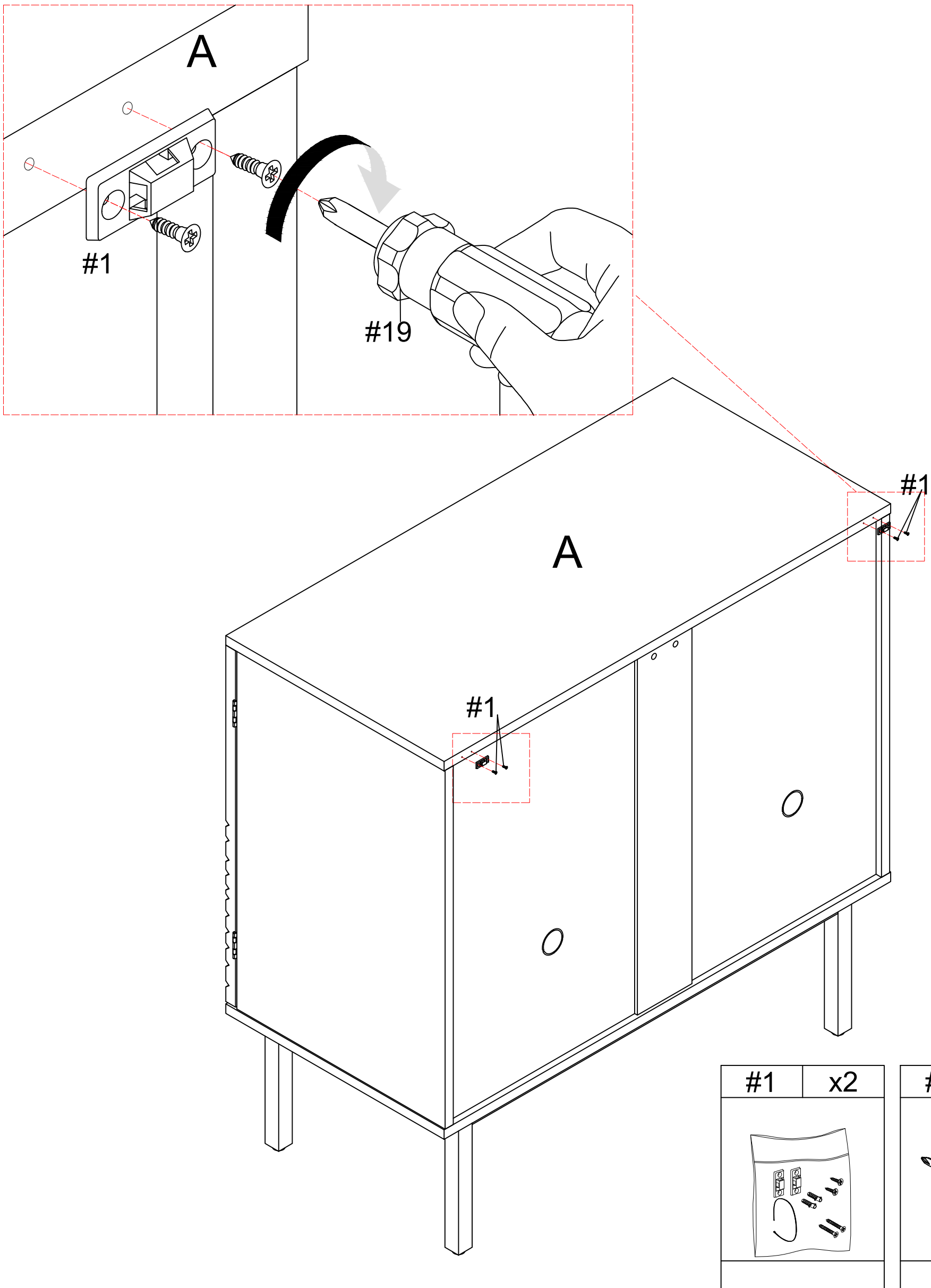
1. Insert shelf holder #13 into the corresponding hole of panel (C)&(D) and then attach panel (Q) to it.



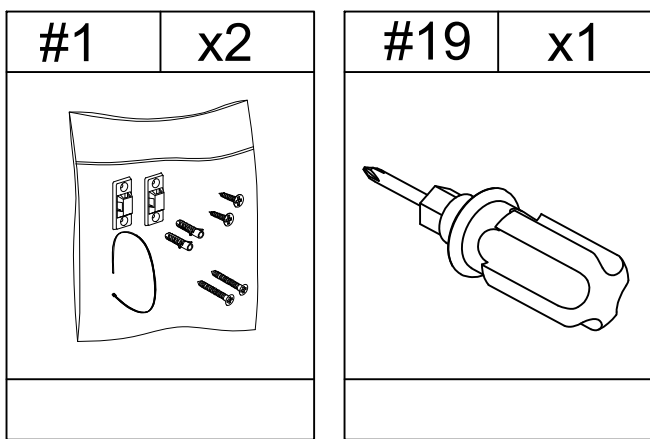
ASSEMBLY INSTRUCTIONS

STEP-25

1. Use nylon packaging #1 Inside screw to attach bracket to the corresponding hole of top panel(A), tighten screw with screwdriver #19.



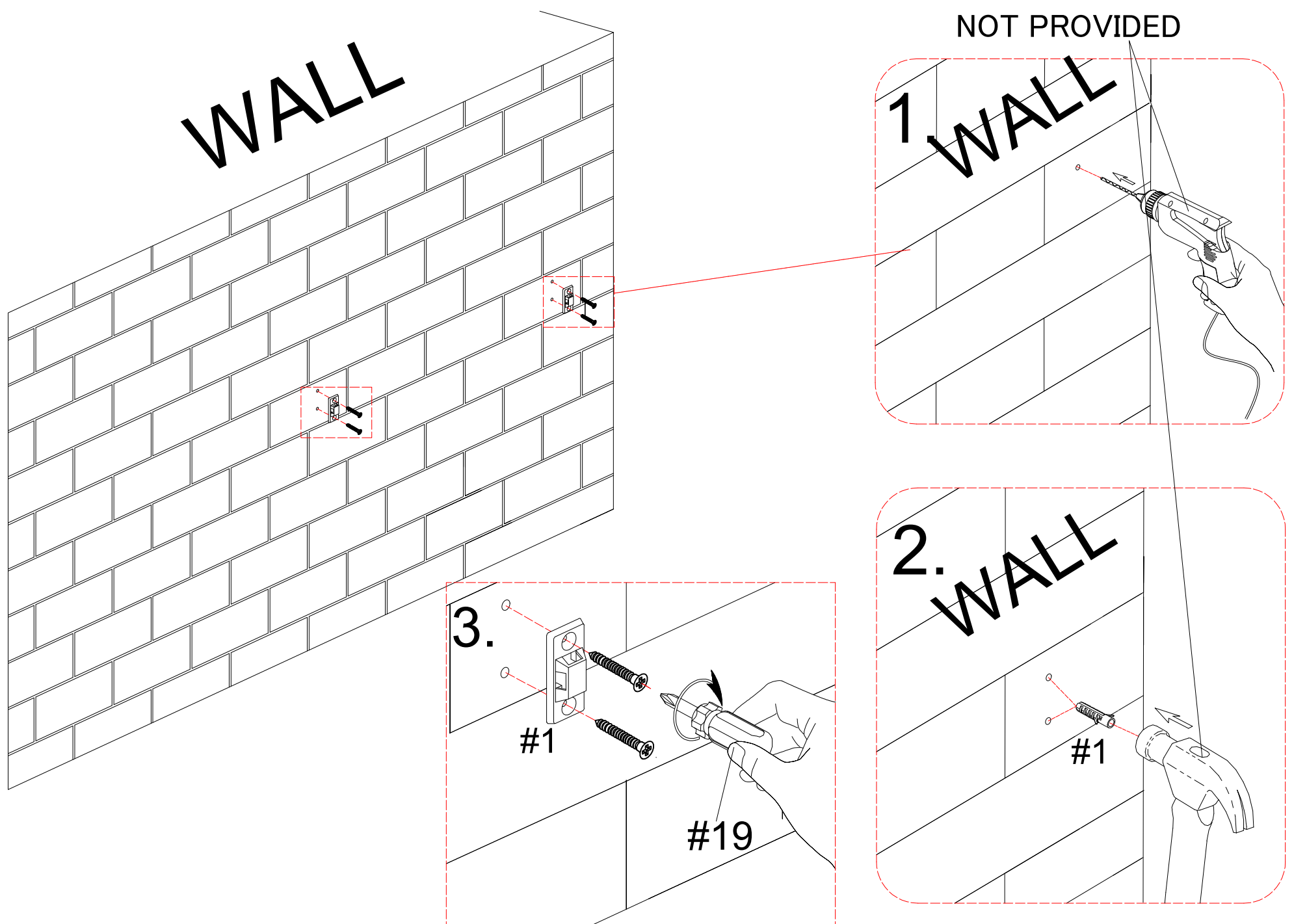
ASSEMBLY INSTRUCTIONS



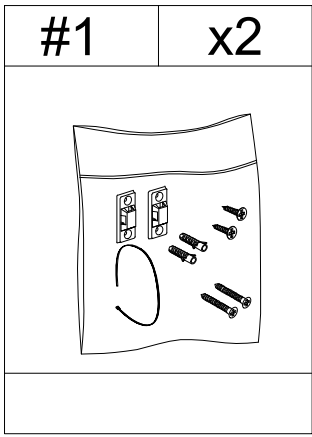
STEP-26

1. Mark the position on the wall, that corresponds to the location of bracket on the back of top panel A; Drill and insert the expandable screw by hammer.

2. Assemble the bracket to the wall. Align the hole in the bracket with the expandable screw, use screw to attach it, tighten screw with screwdriver #19.

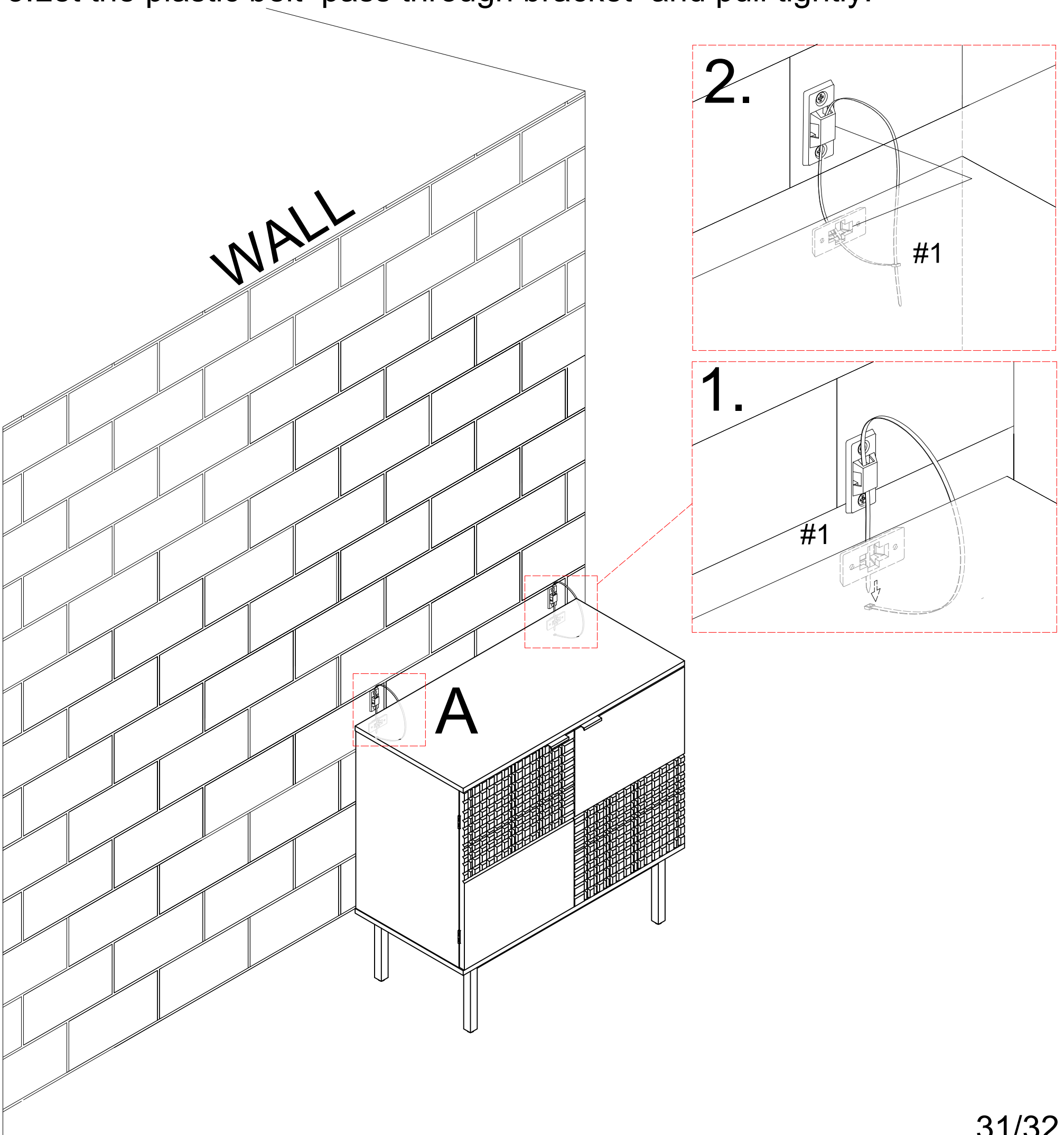


ASSEMBLY INSTRUCTIONS



STEP-27

3. Let the plastic belt pass through bracket and pull tightly.



WARRANTY

1. We strive to offer high-quality products, and we also try our best to satisfy each and every customer that orders from us with product or service as needed.
2. We provide 30 days warranty starting from the time you receive the item. Each customer must provide a record of their order such as the order number, or item receipt for any items that are out of the warranty period you may also still receive.
3. Replacement parts by purchasing them with our company if they are available.

Appreciate your purchasing from us.
Pop up your life by our furniture piece!