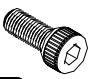





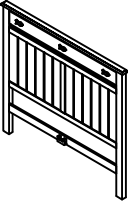
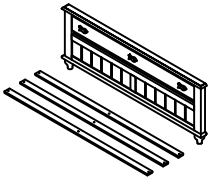
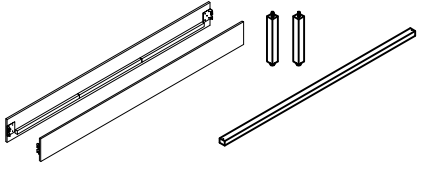


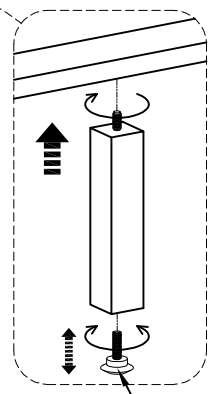
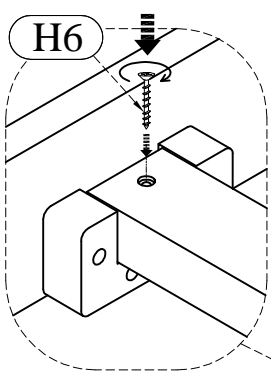
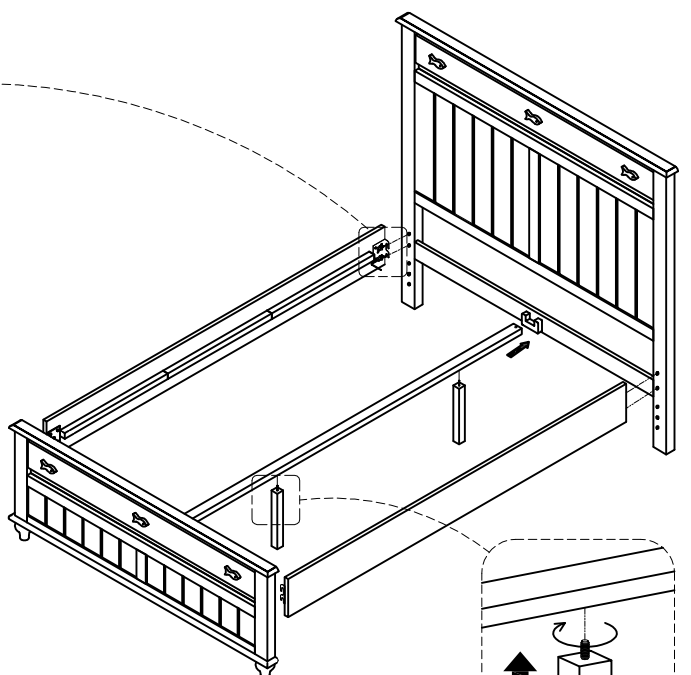
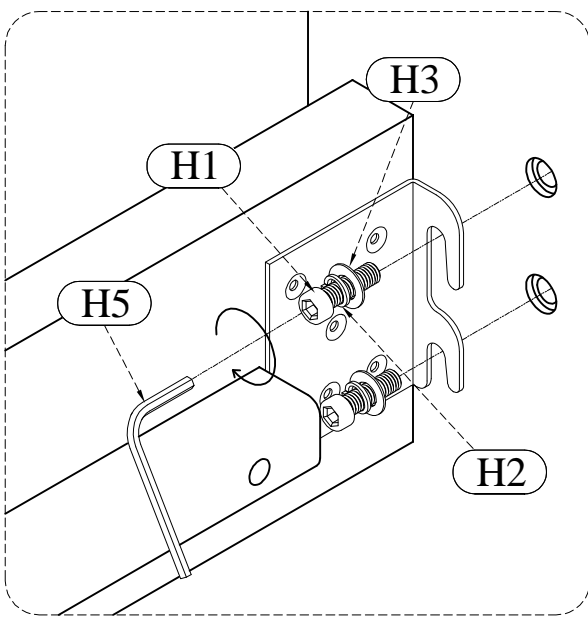
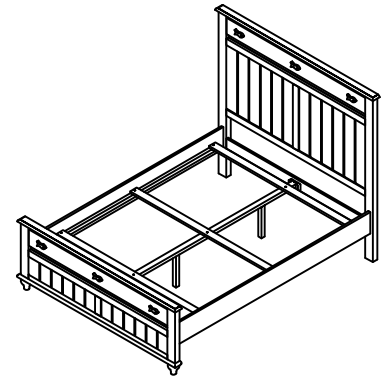
KING / QUEEN FISHTAILS BED Assembly Instructions

Made in Viet Nam

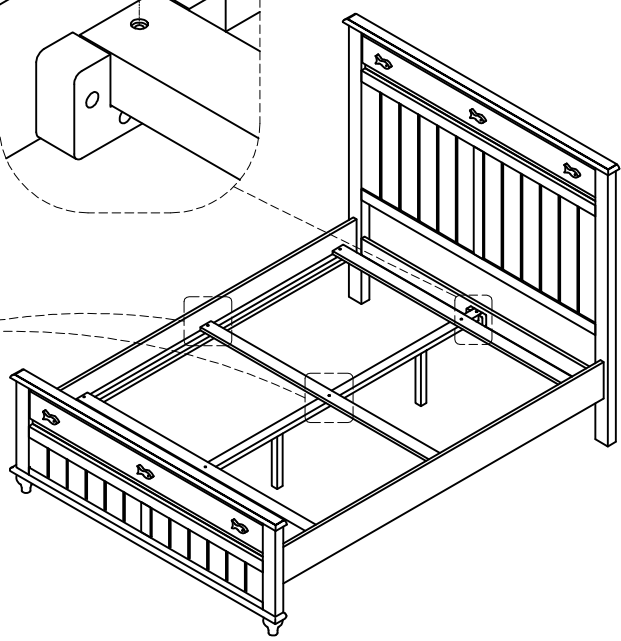
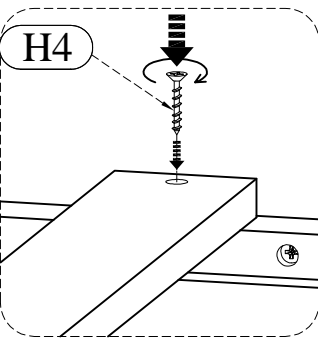
Components and Hardware List

<p>Ø8 x 20mm Allen Head Bolt</p>  <p>H1 8 pcs.</p>	<p>Ø9 x Ø13mm Spring Washer</p>  <p>H2 8 pcs.</p>	<p>Ø8 x Ø20mm Flat Washer</p>  <p>H3 8 pcs.</p>	<p>Ø4 x 25mm Wood Screw</p>  <p>H4 9 pcs.</p>	<p>6 x 80mm Wrench</p>  <p>H5 1 pc.</p>	<p>Ø4 x 35mm Wood Screw</p>  <p>H6 2 pcs.</p>
--	---	---	---	---	--

<p>BOX #1 A. HEADBOARD 1 PC</p> 	<p>BOX #2 B. FOOTBOARD 1 PC C. BED SLATS 3 PCS</p> 	<p>BOX #3 D. SIDERAILS 2 PCS E. CENTER SUPPORT 1 PC F. LEG SUPPORTS 2 PCS G. HARDWARE BOX</p> 
---	--	--



leveling









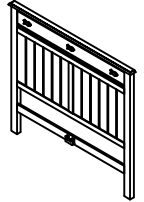
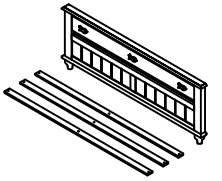
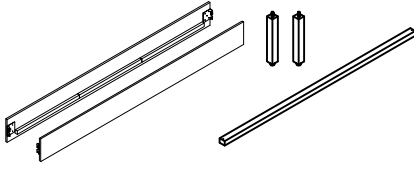
FULL / TWIN FISHTAILS BED

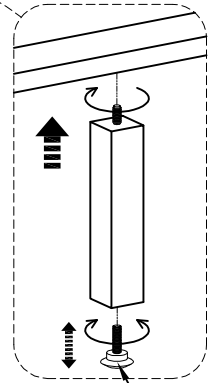
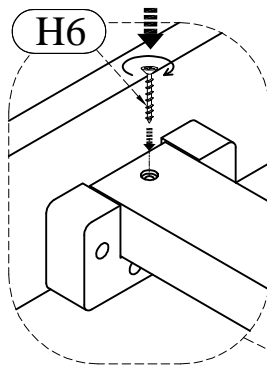
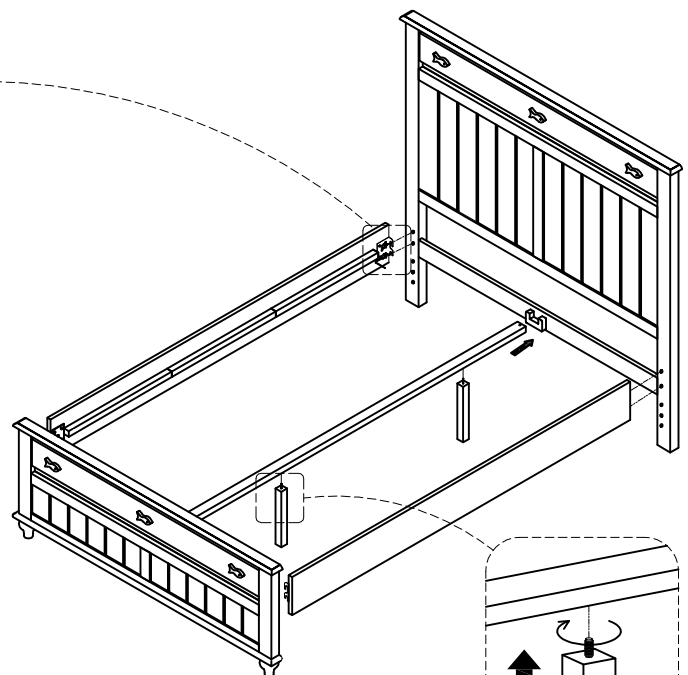
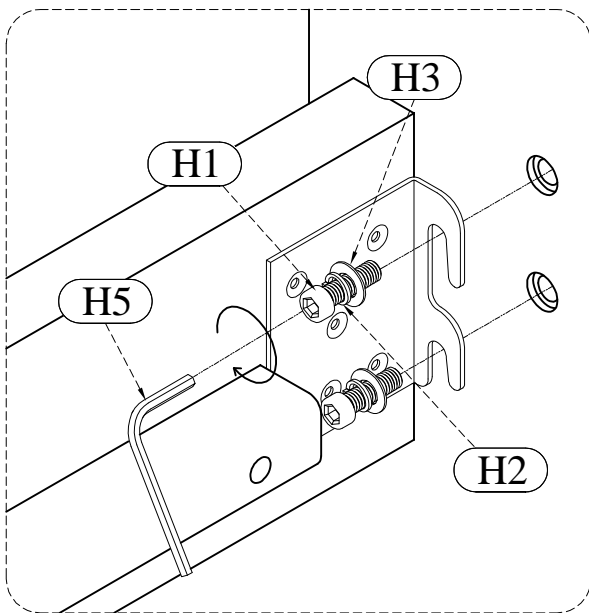
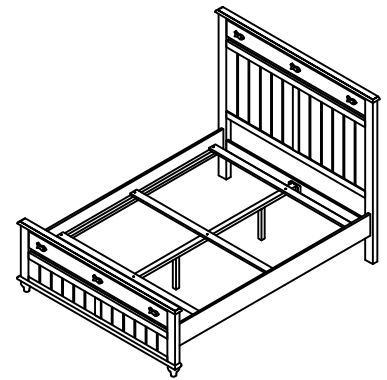
Assembly Instructions

Made in Viet Nam

Components and Hardware List

<p>Ø8 x 20mm Allen Head Bolt</p>  <p>H1 8 pcs.</p>	<p>Ø9 x Ø13mm Spring Washer</p>  <p>H2 8 pcs.</p>	<p>Ø8 x Ø20mm Flat Washer</p>  <p>H3 8 pcs.</p>	<p>Ø4 x 25mm Wood Screw</p>  <p>H4 9 pcs.</p>	<p>6 x 80mm Wrench</p>  <p>H5 1 pc.</p>	<p>Ø4 x 35mm Wood Screw</p>  <p>H6 2 pcs.</p>
--	---	---	---	---	--

<p>BOX #1 A. HEADBOARD 1 PC</p> 	<p>BOX #2 B. FOOTBOARD 1 PC C. BED SLATS 3 PCS</p> 	<p>BOX #3 D. SIDERAILS 2 PCS E. CENTER SUPPORT 1 PC F. LEG SUPPORTS 2 PCS G. HARDWARE BOX</p> 
---	--	--



leveling

